

US00D451963B1

(12) **United States Design Patent**  
**Molenaar**

(10) **Patent No.:** **US D451,963 S**

(45) **Date of Patent:** **\*\* Dec. 11, 2001**

(54) **COMBINED PAPER CLIP AND HOLDER**

(76) **Inventor:** **Steven L. Molenaar**, 601 W. Highway  
40, Willmar, MN (US) 56201

(\*\*) **Term:** **14 Years**

(21) **Appl. No.:** **29/142,113**

(22) **Filed:** **May 21, 2001**

(51) **LOC (7) Cl.** ..... **19-02**

(52) **U.S. Cl.** ..... **D19/88; D19/65; D19/90;**  
D19/91

(58) **Field of Search** ..... D19/65, 75, 86,  
D19/88, 90, 91, 99, 100; 281/42; 24/67.5,  
67.9, 511; 248/441.1, 442.2, 451, 450,  
452, 447, 447.1, 918, 460, 462; D14/44

(56) **References Cited**

**U.S. PATENT DOCUMENTS**

- D. 311,212 \* 10/1990 Tsuji ..... D19/65
- D. 351,420 \* 10/1994 Koch ..... D19/88
- D. 355,219 \* 2/1995 Jones et al. .... D19/88
- D. 380,494 \* 7/1997 Molenaar ..... D19/65

- D. 396,248 \* 7/1998 Nemeth ..... D19/88
- D. 422,025 \* 3/2000 Dembicks ..... D19/65
- 4,747,572 \* 5/1988 Weber ..... 248/442.2
- 4,934,648 \* 6/1990 Yueh ..... 248/442.2
- 6,254,136 \* 7/2001 Patel ..... 281/42

\* cited by examiner

*Primary Examiner*—Martie K. Holtje

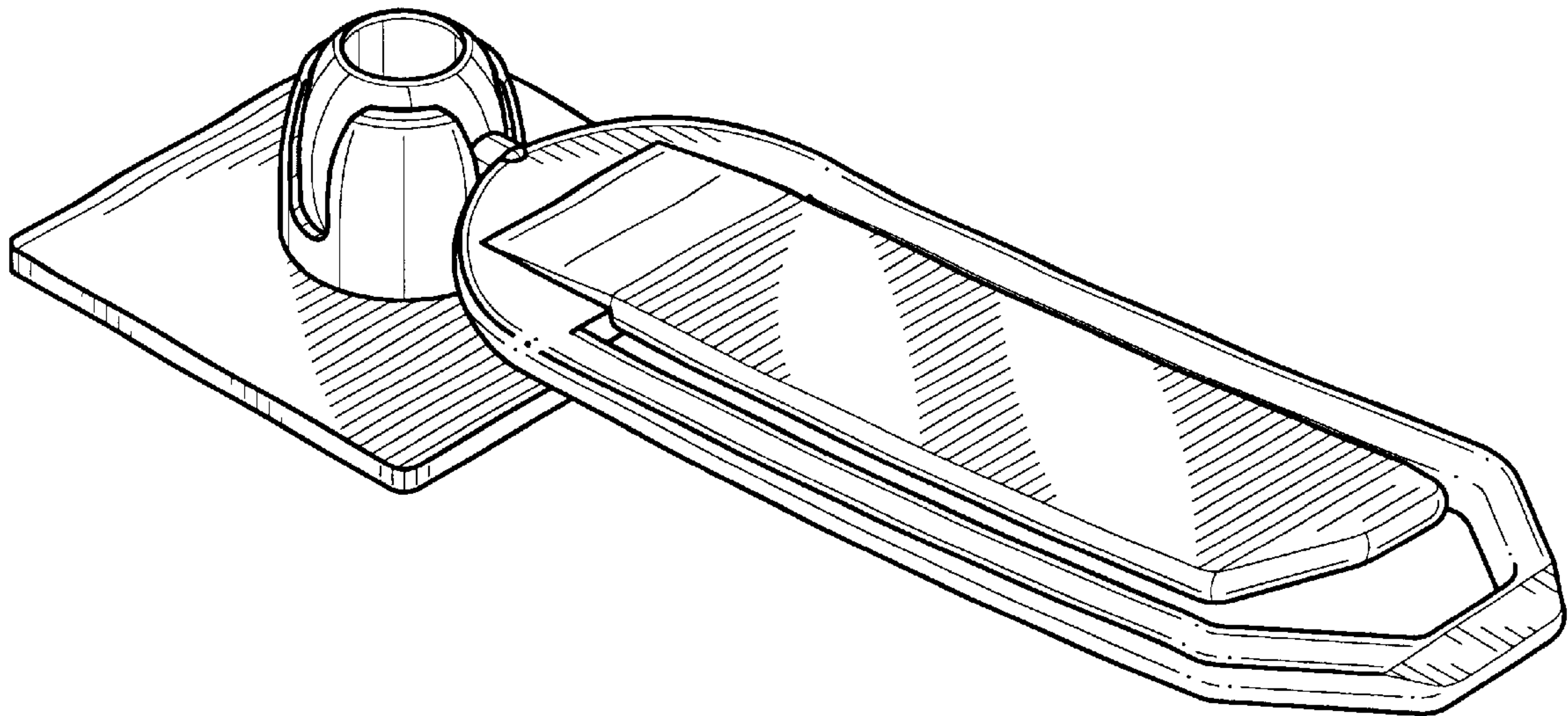
(57) **CLAIM**

The ornamental design of a combined paper clip and holder,  
as shown and described.

**DESCRIPTION**

FIG. 1 is a perspective view of the combined paper clip and holder of my new design;  
 FIG. 2 is a front elevational view thereof;  
 FIG. 3 is a top plan view thereof;  
 FIG. 4 is a bottom plan view thereof;  
 FIG. 5 is a side elevational view thereof, the opposite side being a mirror image thereof; and,  
 FIG. 6 is a rear elevational view thereof.

**1 Claim, 2 Drawing Sheets**



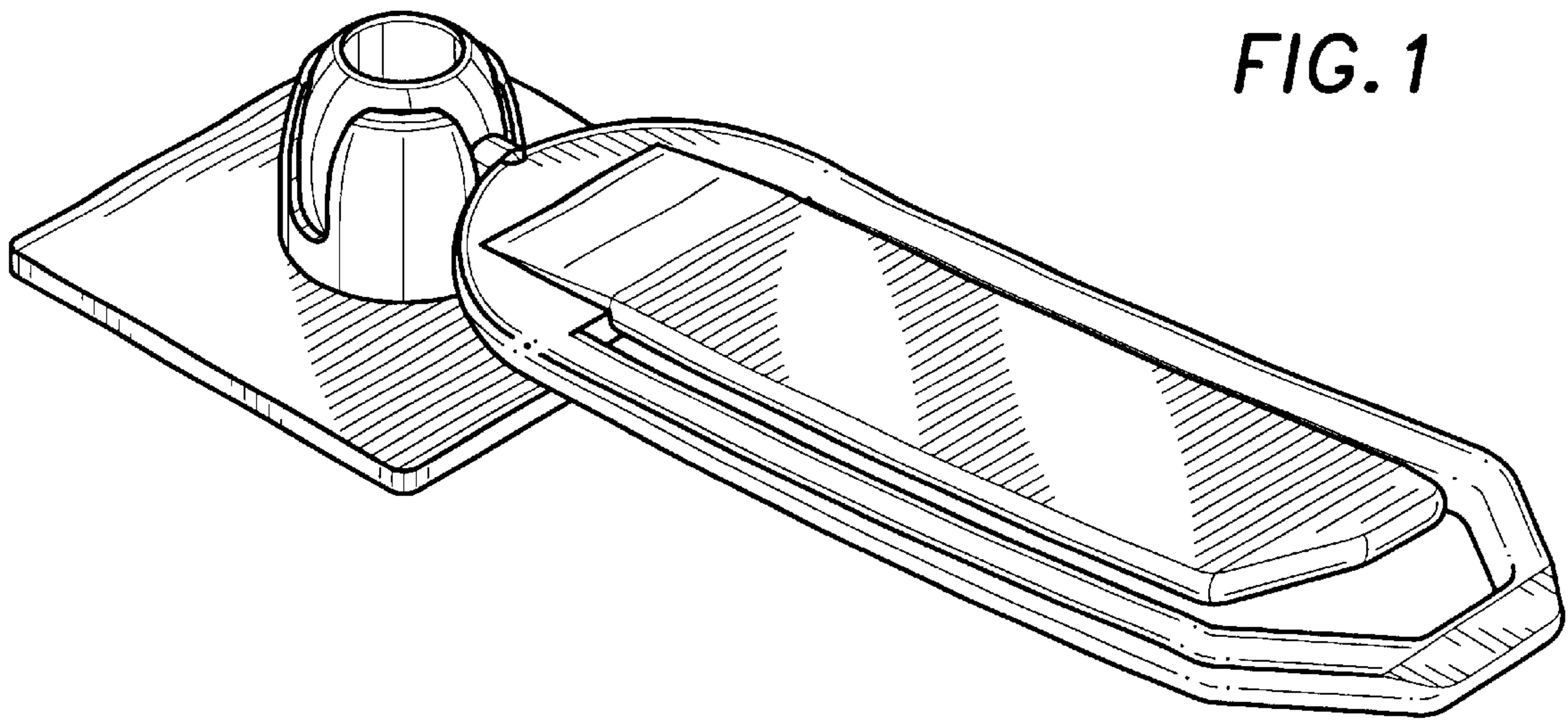


FIG. 1

FIG. 2

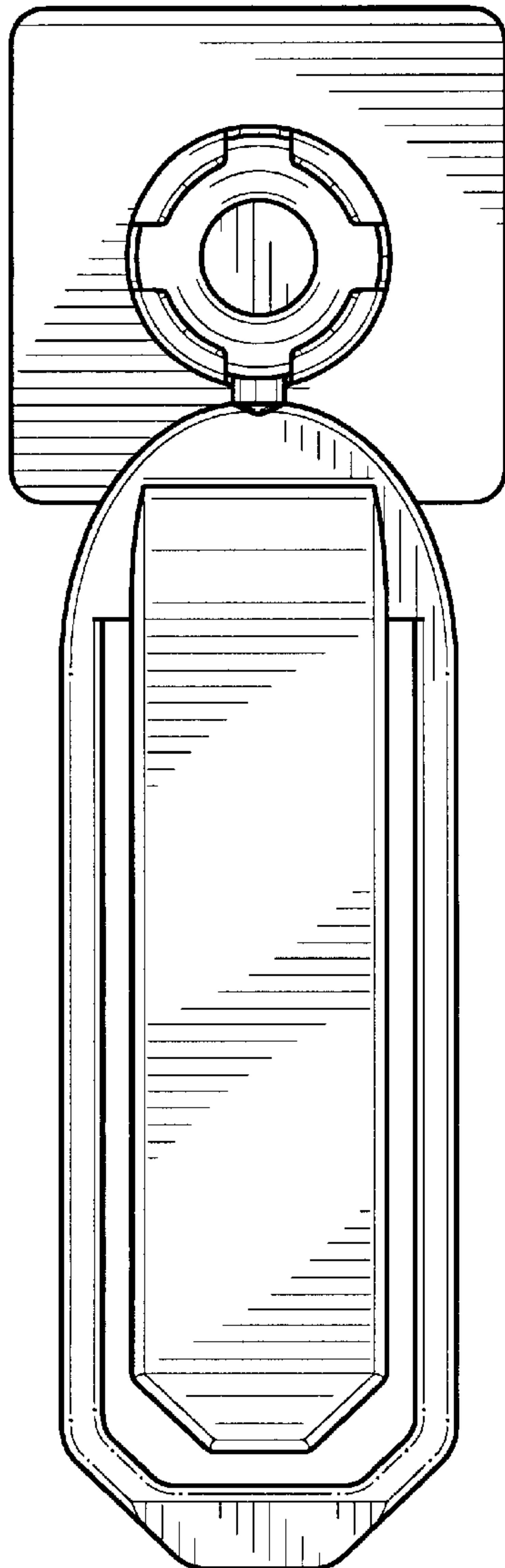


FIG. 3

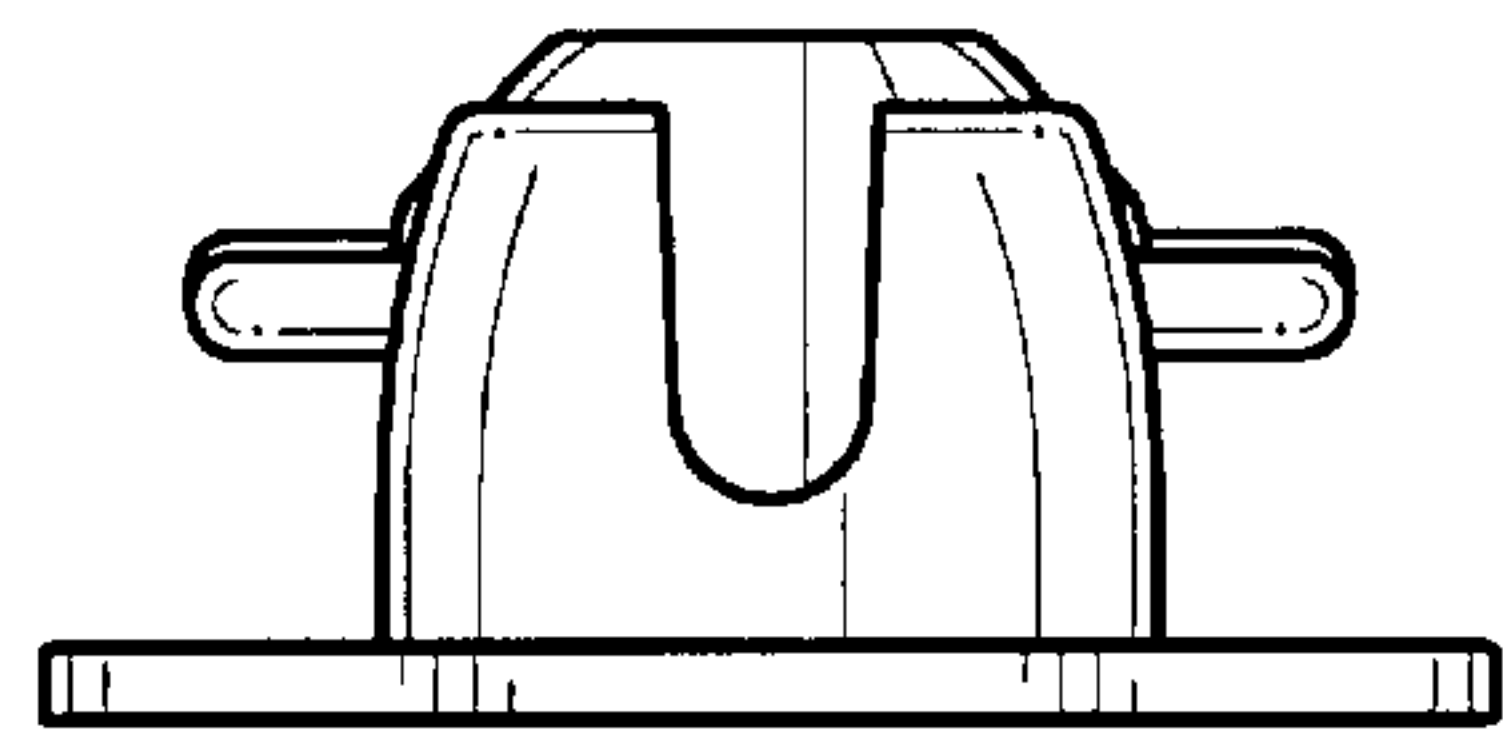
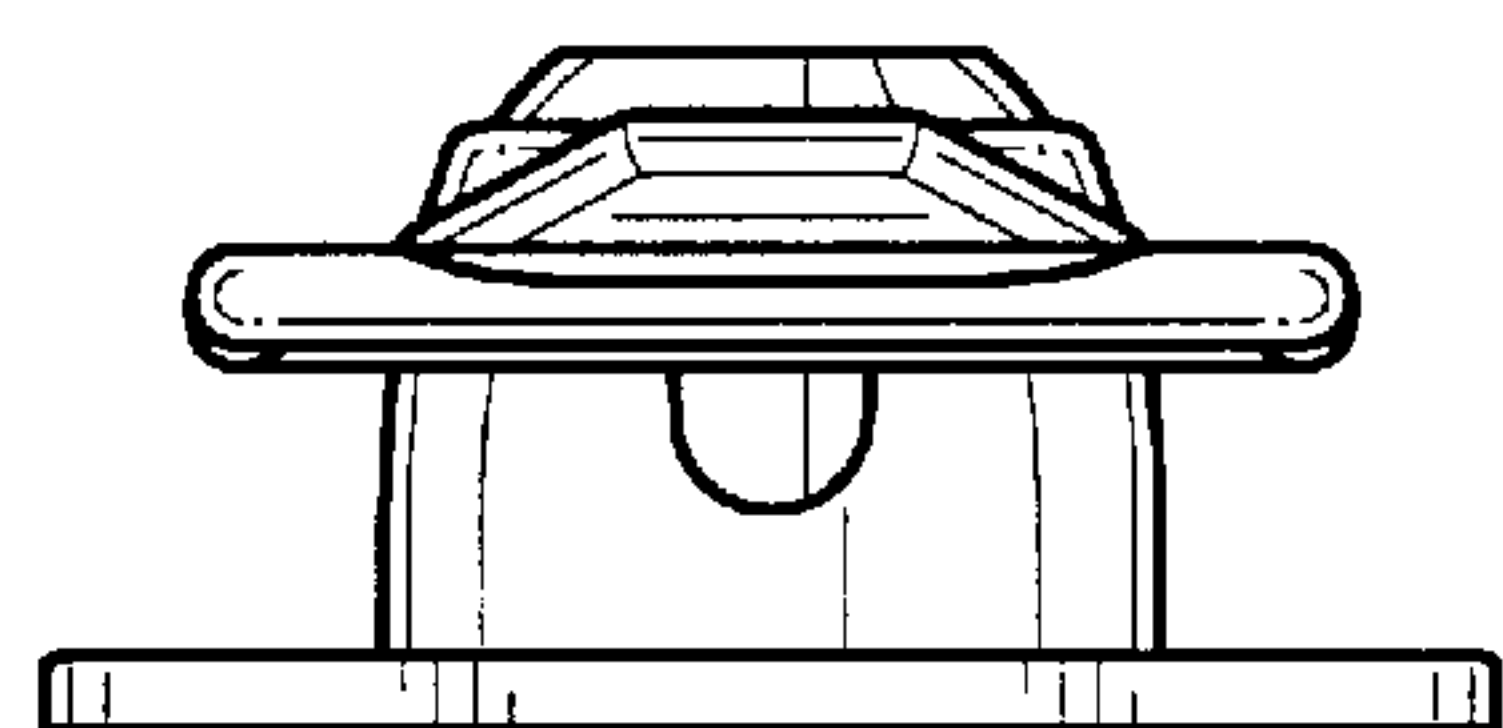
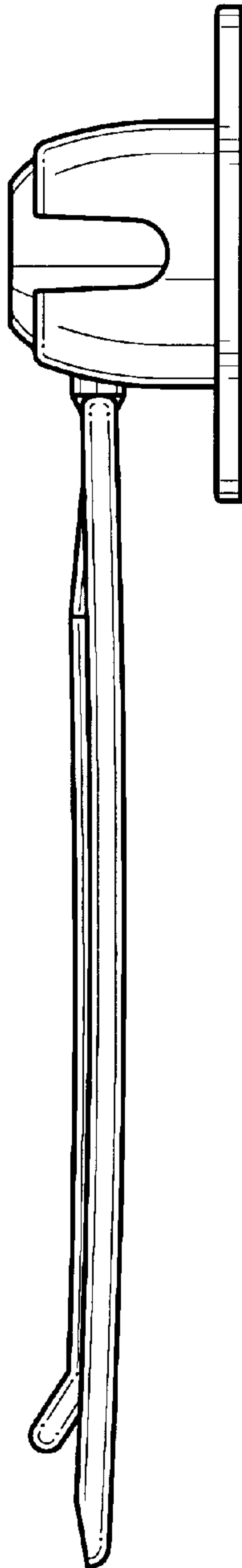


FIG. 4



*FIG. 5*



*FIG. 6*

