



US00D451961B1

(12) **United States Design Patent**  
**Shapiro**

(10) **Patent No.:** **US D451,961 S**

(45) **Date of Patent:** **\*\* Dec. 11, 2001**

(54) **PENCIL SHARPENER**

(75) Inventor: **Bruce Shapiro**, Highland Park, IL (US)

(73) Assignee: **It's Academic of Illinois, Inc.**

(\*\*) Term: **14 Years**

(21) Appl. No.: **29/140,388**

(22) Filed: **Apr. 17, 2001**

(51) **LOC (7) Cl.** ..... **19-06**

(52) **U.S. Cl.** ..... **D19/73**

(58) **Field of Search** ..... D19/72, 73, 74,  
D19/55; 30/451, 452, 453, 454, 455, 456,  
457, 459; 144/28.1, 28.11, 28.5, 28.6, 28.7,  
28.71, 28.72

(56) **References Cited**

**U.S. PATENT DOCUMENTS**

D. 339,536	*	9/1993	Ribron	.....	D19/72
D. 378,834	*	4/1997	Yuen	.....	D19/73
748,186	*	12/1903	Hill	.....	30/453

\* cited by examiner

*Primary Examiner*—Doris V. Coles

*Assistant Examiner*—Elizabeth A. Albert

(74) *Attorney, Agent, or Firm*—Rockey, Milnamow & Katz, Ltd.

(57) **CLAIM**

The ornamental design for a pencil sharpener, substantially as shown and described.

**DESCRIPTION**

FIG. 1 is a perspective view of a pencil sharpener showing my new design;

FIG. 2 is a front elevational view thereof, the rear elevational view being the mirror image thereof;

FIG. 3 is a top plan view thereof;

FIG. 4 is a right side elevational view thereof;

FIG. 5 is a left side elevational view thereof; and,

FIG. 6 is a bottom plan view thereof.

The broken line showing of environment is for illustrative purposes only and forms no part of the claimed design.

**1 Claim, 2 Drawing Sheets**

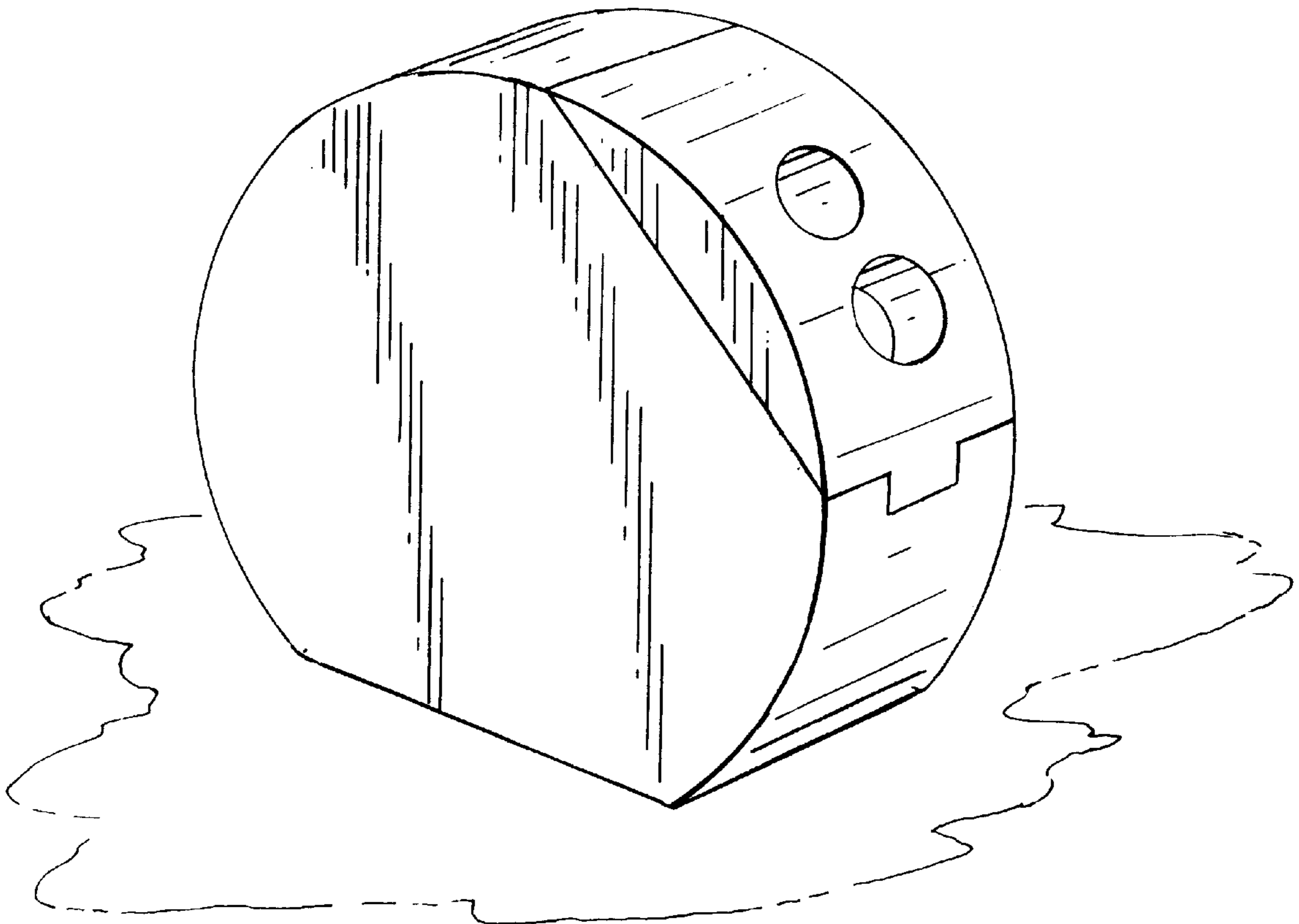


FIG. 1

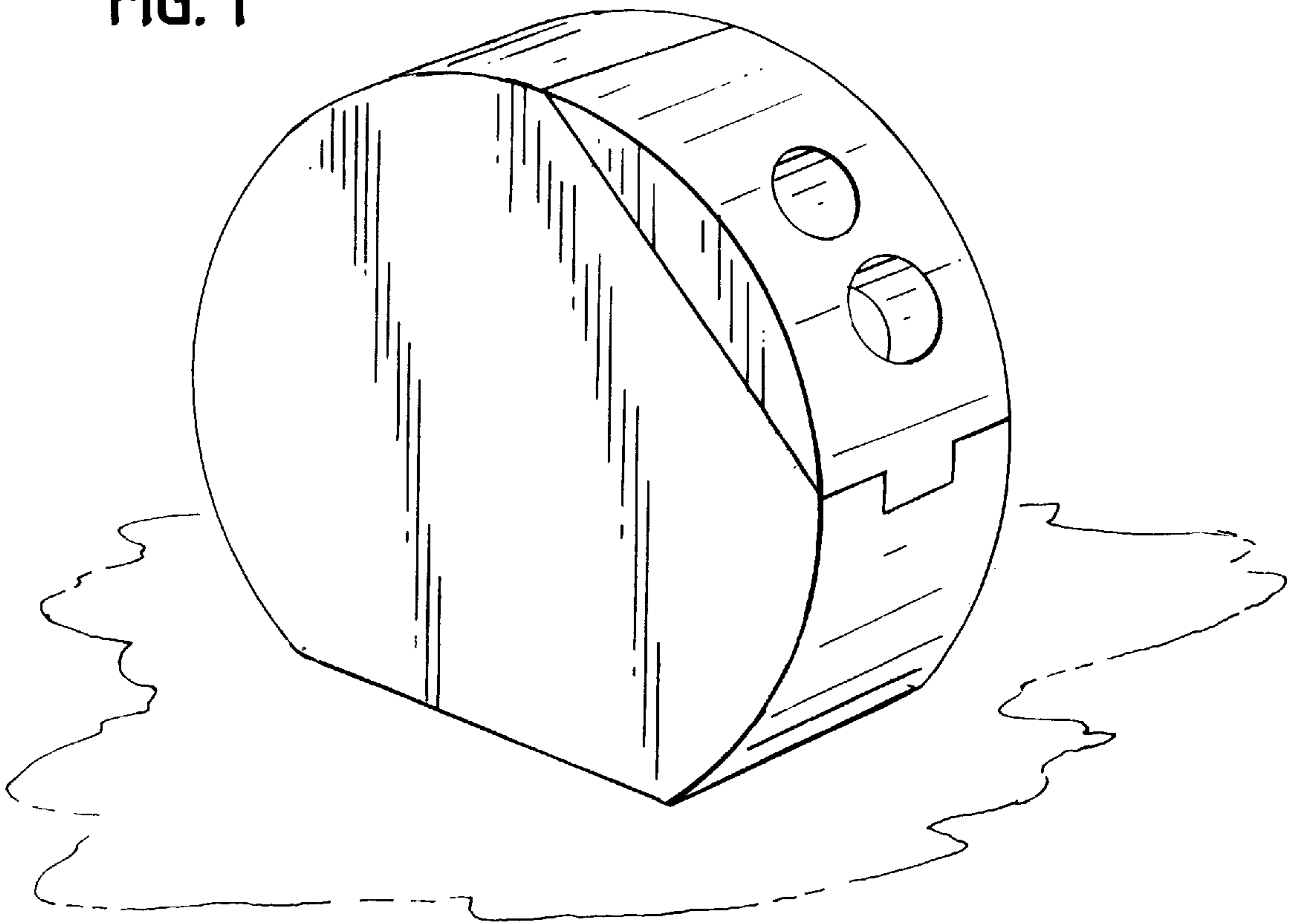


FIG. 3

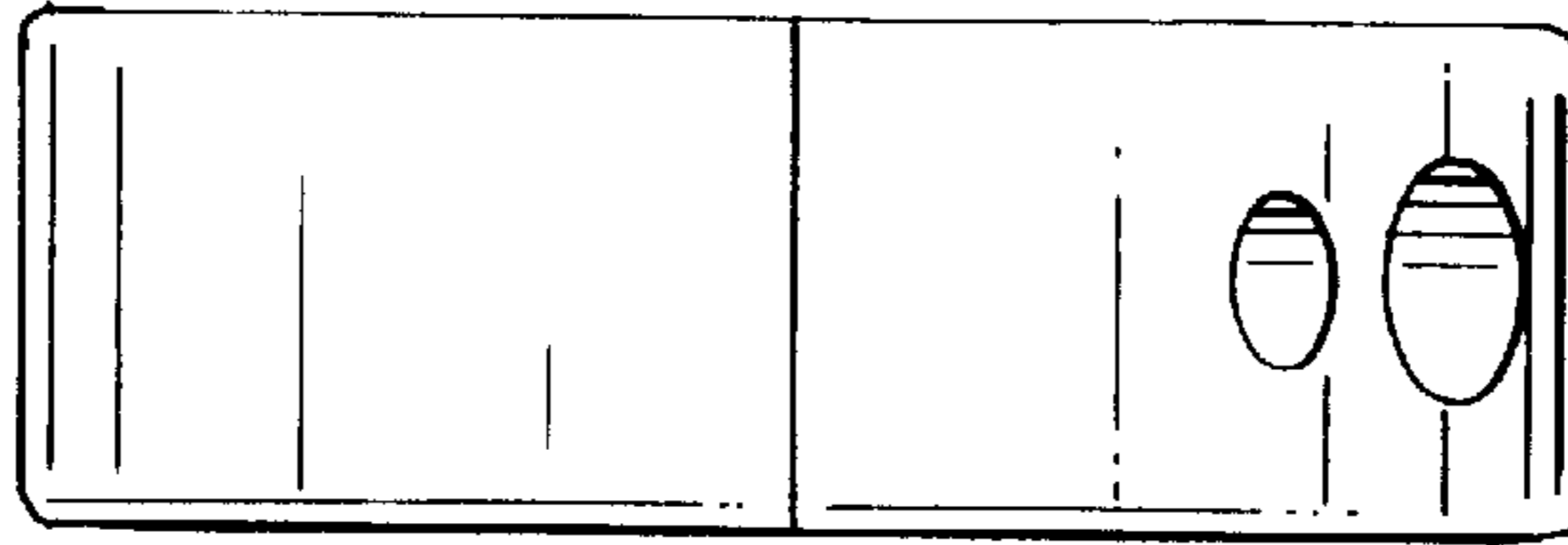


FIG. 5

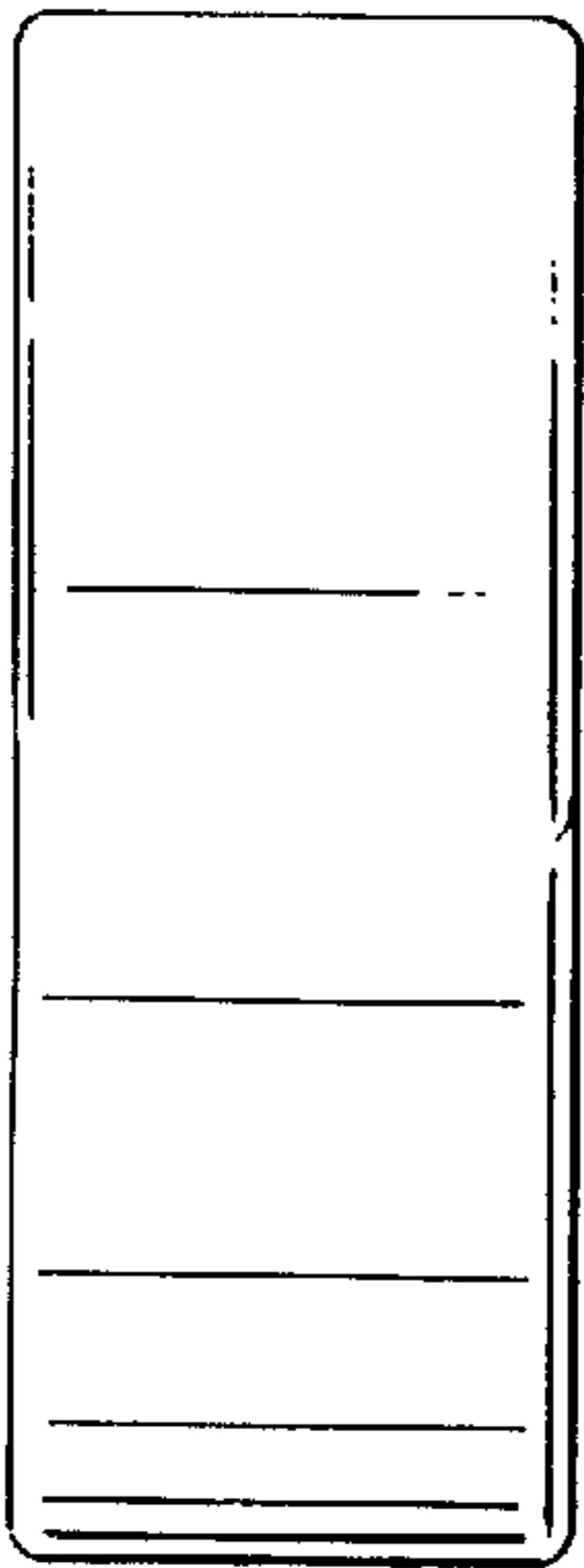


FIG. 2

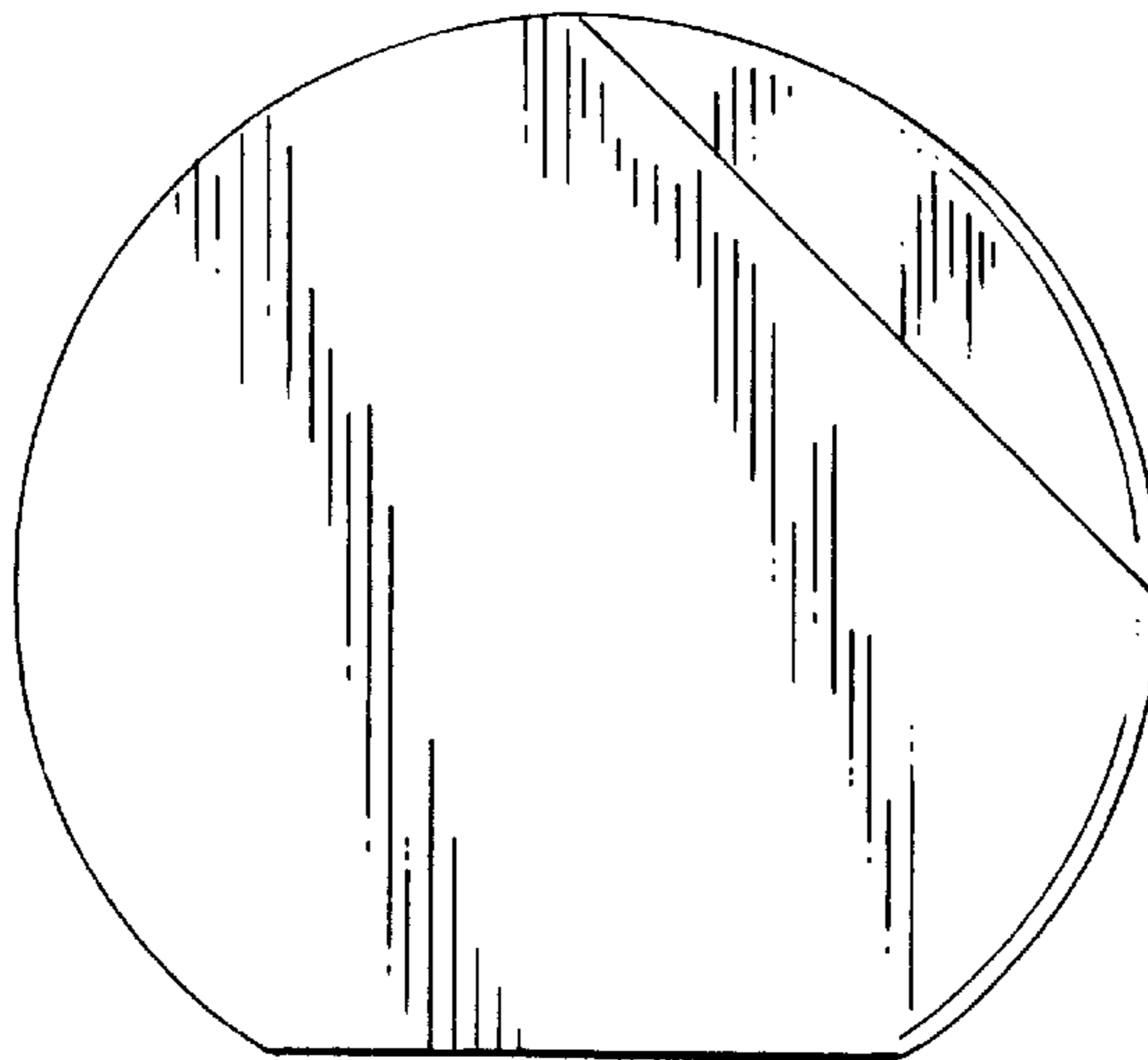


FIG. 4

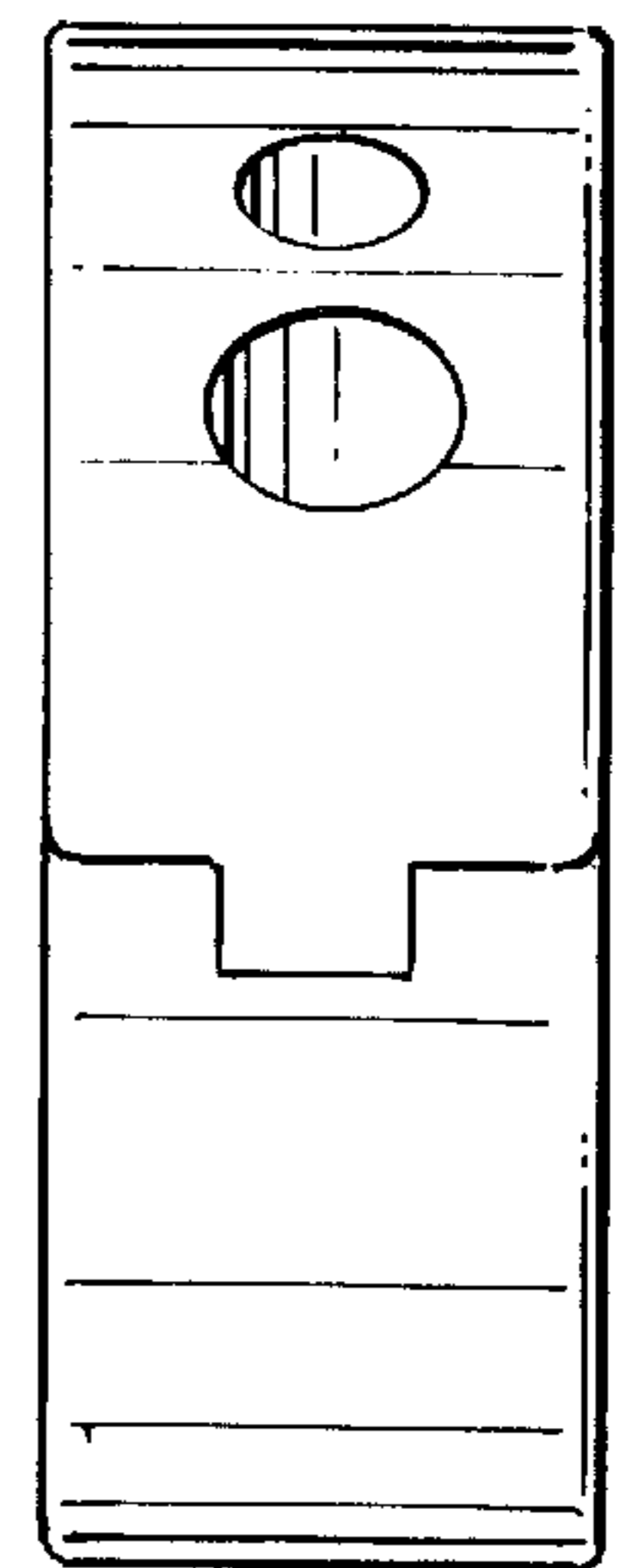


FIG. 6

