



US00D451956B1

(12) **United States Design Patent**
Kaneda

(10) **Patent No.:** **US D451,956 S**

(45) **Date of Patent:** **** Dec. 11, 2001**

(54) **LOOSE LEAF BINDER END PORTION**

5,234,276 * 8/1993 Semerjian et al. 402/8
5,807,006 * 9/1998 Cheung 402/38

(76) Inventor: **Kokki Kaneda**, 9-15, Chuo 2-chome,
Ota-ku, Tokyo (JP)

* cited by examiner

(**) Term: **14 Years**

Primary Examiner—Paula A. Mortimer
(74) *Attorney, Agent, or Firm*—Drinker Biddle & Reath
LLP

(21) Appl. No.: **29/134,946**

(22) Filed: **Jan. 2, 2001**

(57) **CLAIM**

The design of the loose leaf binder end portion, as shown and described.

Related U.S. Application Data

DESCRIPTION

(62) Division of application No. 29/131,850, filed on Oct. 27, 2000.

(51) **LOC (7) Cl.** **19-04**

(52) **U.S. Cl.** **D19/32**

(58) **Field of Search** D19/32, 26, 27,
D19/28, 33; 402/3, 4, 26, 31, 34, 37, 38,
39, 41, 60, 56, 70, 73, 75, 80 R

FIG. 1 is a front view of the loose leaf binder end portion; FIG. 2 is a plan view of the loose leaf binder end portion; FIG. 3 is a bottom view of the loose leaf binder end portion; FIG. 4 is a side view of the loose leaf binder end portion with the lever up and the rings closed; FIG. 5 is a front view of the loose leaf binder end portion with the lever depressed; FIG. 6 is a plan view of the loose leaf binder end portion with the lever depressed; FIG. 7 is a bottom view of the loose leaf binder end portion with the lever depressed; and, FIG. 8 is a side view of the loose leaf binder end portion with the lever depressed and the rings open.

(56) **References Cited**

U.S. PATENT DOCUMENTS

D. 409,240	*	5/1999	Ko	D19/32
D. 433,445	*	11/2000	To	D19/32
1,787,957	*	1/1931	Schade	402/38
2,013,552	*	9/1935	Dawson	402/38
2,056,812	*	10/1936	Unger	402/38
2,817,341	*	12/1957	Schade	402/38
3,404,685	*	10/1968	Vernon	402/41
4,813,803	*	3/1989	Gross	402/38

The broken line showing of the loose leaf binder in FIGS. 1-3 is for illustrative purposes only and forms no part of the claimed design.

1 Claim, 2 Drawing Sheets

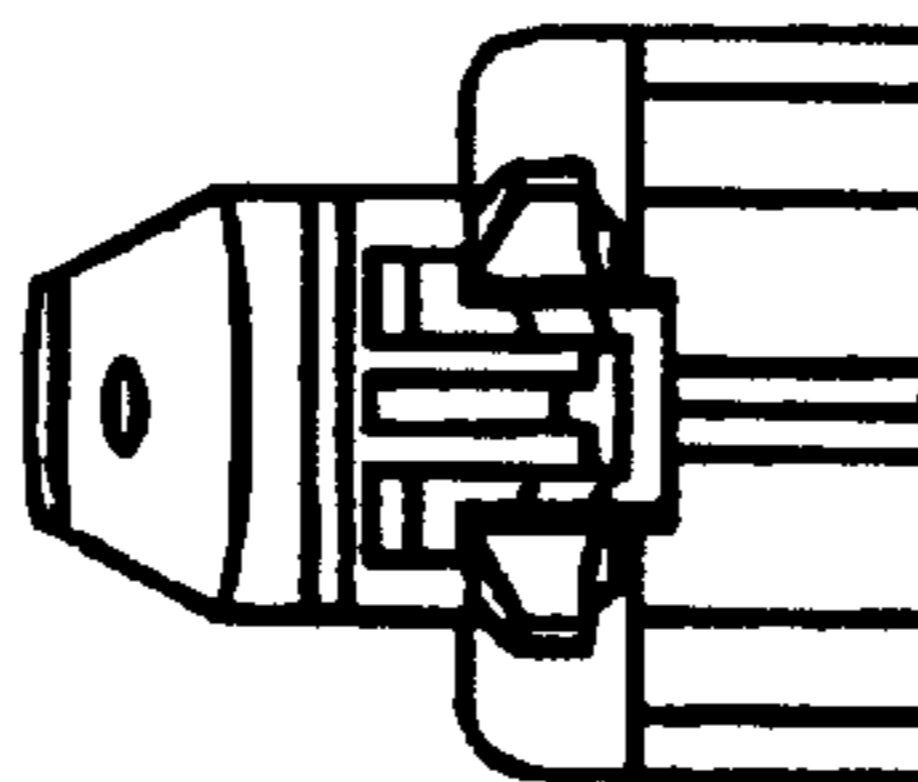


Fig. 1

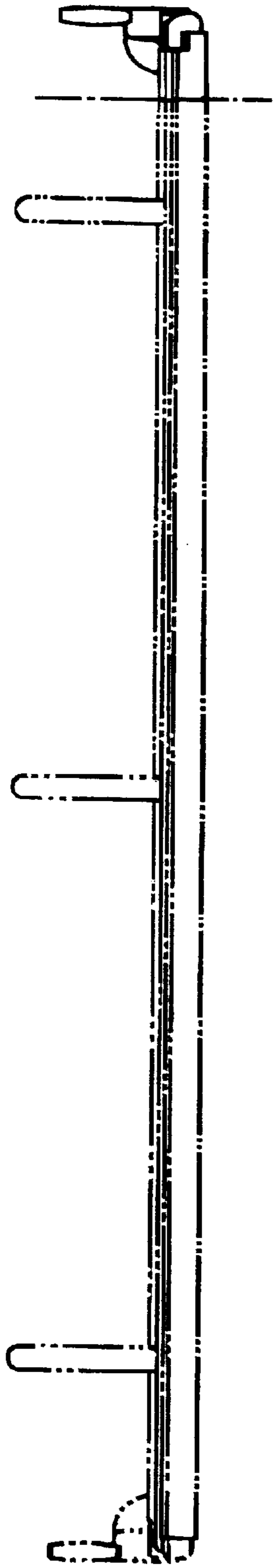


Fig. 2

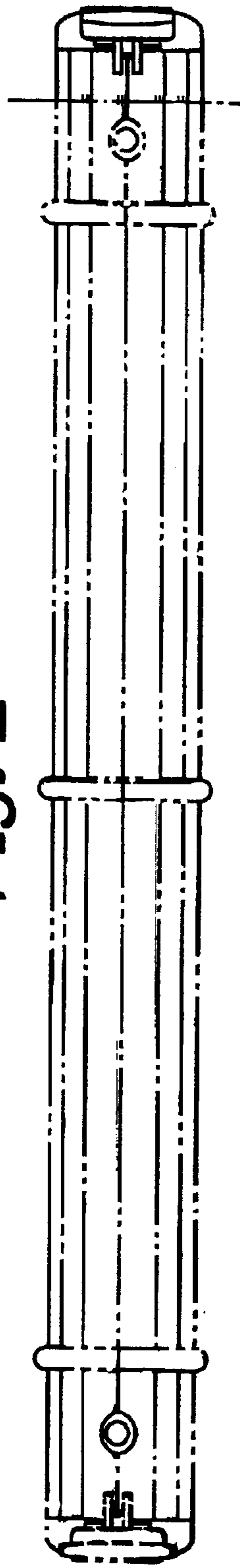


Fig. 3



Fig.4

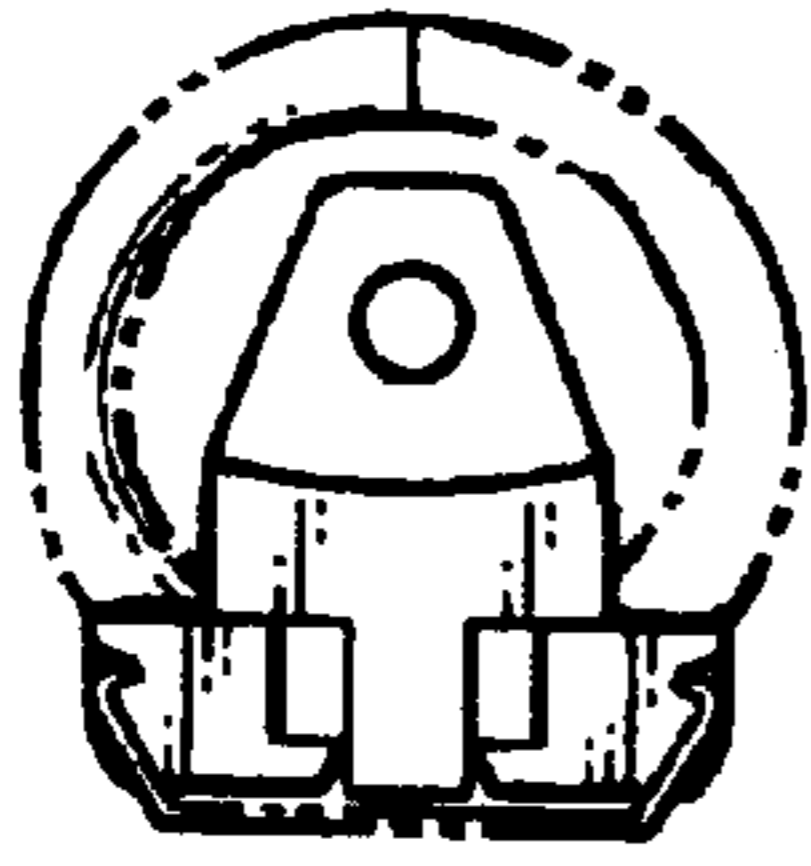


Fig. 8

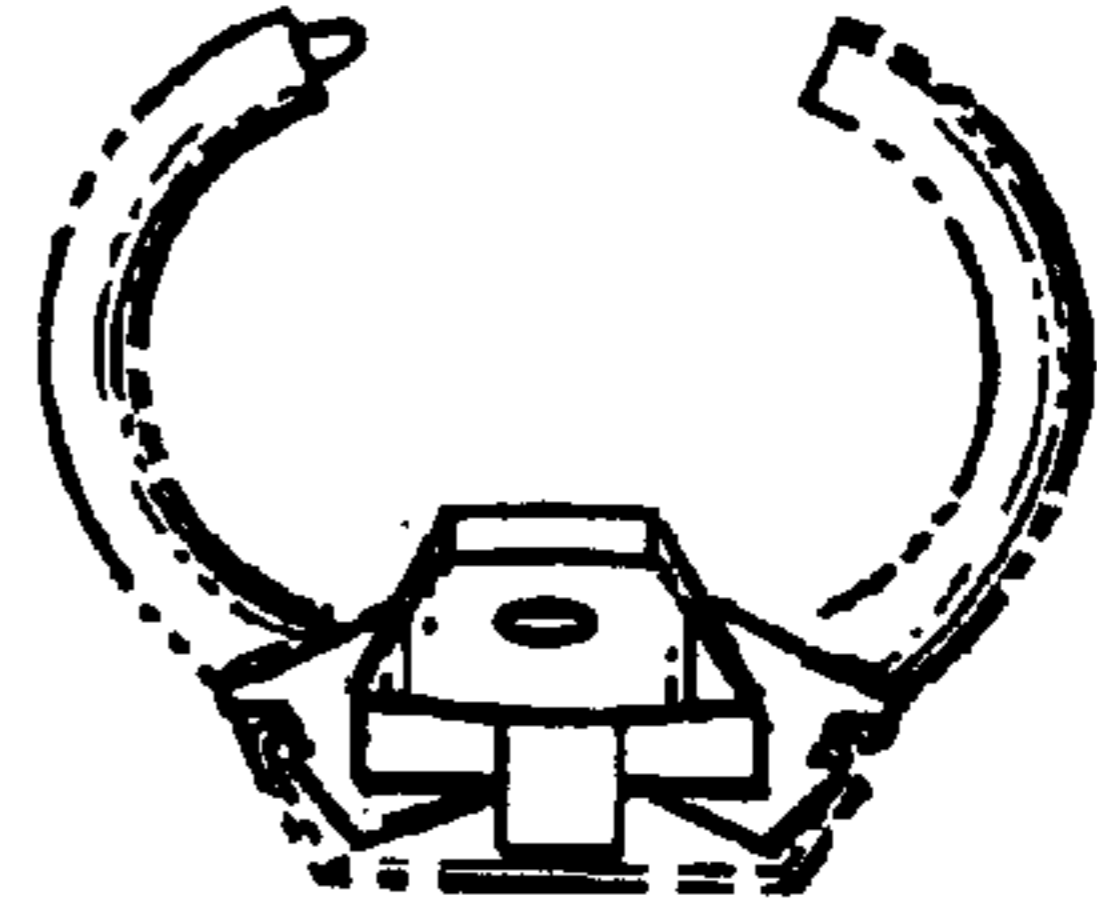


Fig.5



Fig.6

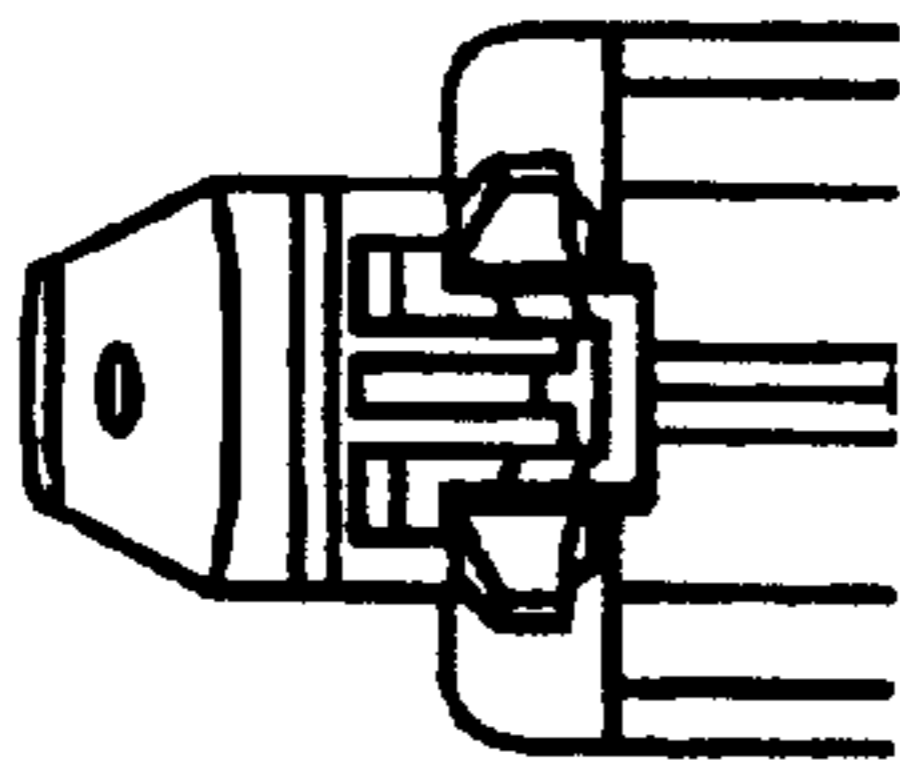


Fig. 7

