



US00D451954B1

(12) **United States Design Patent**
Kaneda

(10) **Patent No.:** **US D451,954 S**

(45) **Date of Patent:** **** Dec. 11, 2001**

(54) **LOOSE LEAF BINDER**

(76) Inventor: **Kokki Kaneda**, 9-15, Chuo 2-chome,
Ota-ku, Tokyo (JP)

(**) Term: **14 Years**

(21) Appl. No.: **29/131,850**

(22) Filed: **Oct. 27, 2000**

(51) **LOC (7) Cl.** **19-04**

(52) **U.S. Cl.** **D19/27**

(58) **Field of Search** D19/32, 33, 26,
D19/27, 28; 402/3, 4, 32, 26, 31, 34, 37,
38, 39, 40, 56, 60, 70, 73, 75, 80 R, 8,
41

(56) **References Cited**

U.S. PATENT DOCUMENTS

D. 389,182	*	1/1998	Law	D19/32
D. 405,113	*	2/1999	Ko	D19/27
2,013,552	*	9/1935	Dawson	402/38
2,817,341	*	12/1957	Schade	402/38
4,813,803	*	3/1989	Gross	402/38
5,234,276	*	8/1993	Semerjian et al.	402/8
5,836,709	*	11/1998	Cheung	402/38
6,045,286	*	4/2000	Tung	402/37

* cited by examiner

Primary Examiner—Paula A. Mortimer

(74) *Attorney, Agent, or Firm*—Drinker Biddle & Reath
LLP

(57) **CLAIM**

The ornamental design for a loose leaf binder, as shown and
described.

DESCRIPTION

FIG. 1 is a front view of the loose leaf binder;

FIG. 2 is a plan view of the binder;

FIG. 3 is a bottom view of the binder;

FIG. 4 is a right side view of the binder;

FIG. 5 is a left side view of the binder;

FIG. 6 is a cross section taken along the line A—A of FIG.
1;

FIG. 7 is a front view of the loose leaf binder with the rings
opened;

FIG. 8 is a plan view of the binder with the rings opened;

FIG. 9 is a bottom view of the binder with the rings opened;

FIG. 10 is a right side view of the binder;

FIG. 11 is a left view of the binder;

FIG. 12 is a cross section taken along the line B—B of FIG.
7;

FIG. 13 is an enlarged partial cross section similar to FIG.
6;

FIG. 14 is an enlarged partial cross section similar to FIG.
12;

FIG. 15 is an enlarged partial cross section taken along the
line C—C of FIG. 1, except that the lever is indicated as outer
appearance for the sake of clarity;

FIG. 16 is an enlarged partial cross section taken along the
line D—D if FIG. 1, except that the lever is indicated as
outer appearance for the sake of clarity;

FIG. 17 is a cross section similar to FIG. 15 with the rings
are opened;

FIG. 18 is a right end elevational view of a second embodi-
ment of a loose leaf binder showing my new design, the only
difference being the lever;

FIG. 19 is a left end elevational view thereof; and,

FIG. 20 is a front elevational view of a third embodiment of
a loose leaf binder showing my new design the only differ-
ence being the additional ring.

1 Claim, 7 Drawing Sheets

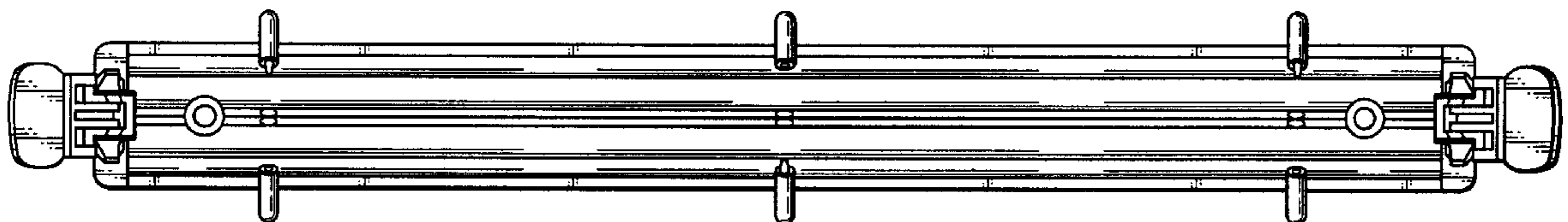


Fig. 1

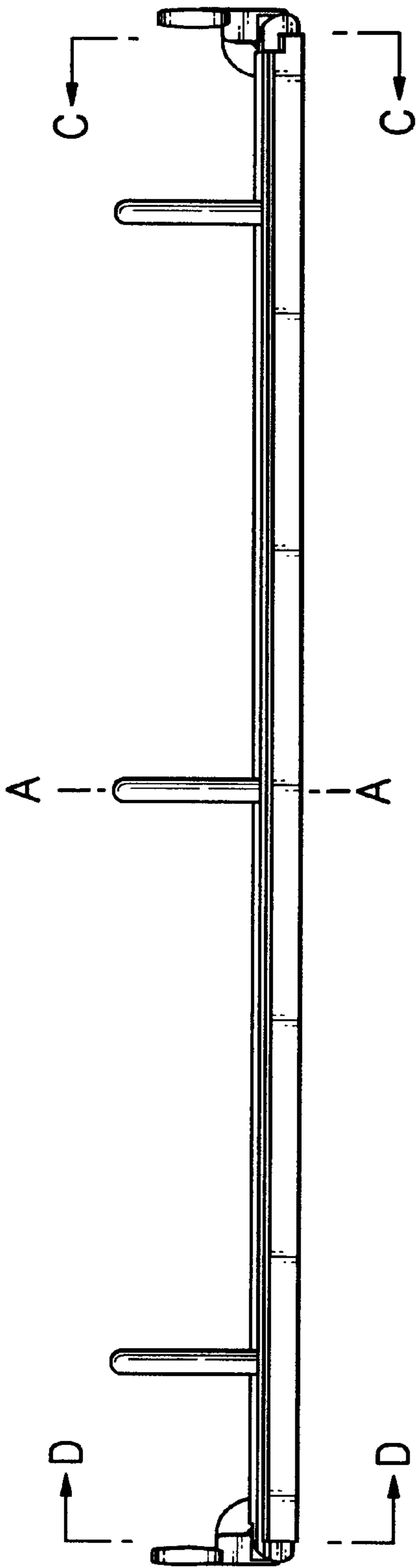


Fig. 2

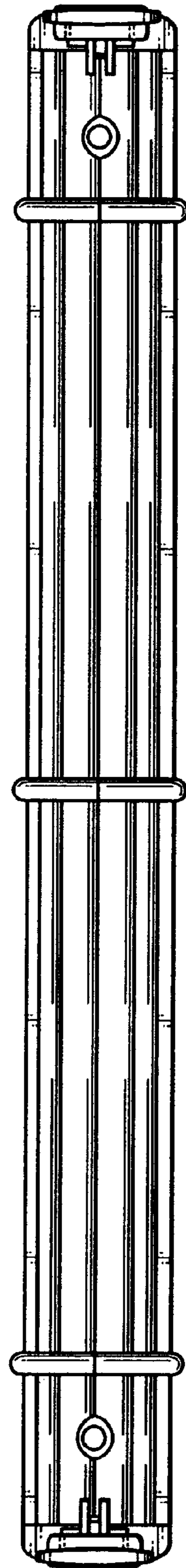


Fig. 3

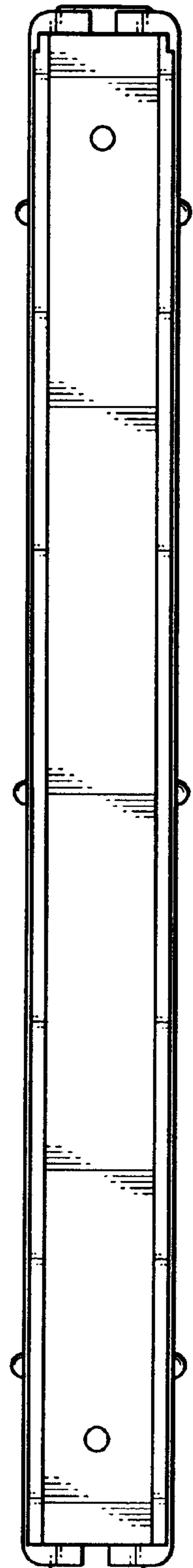


Fig.4

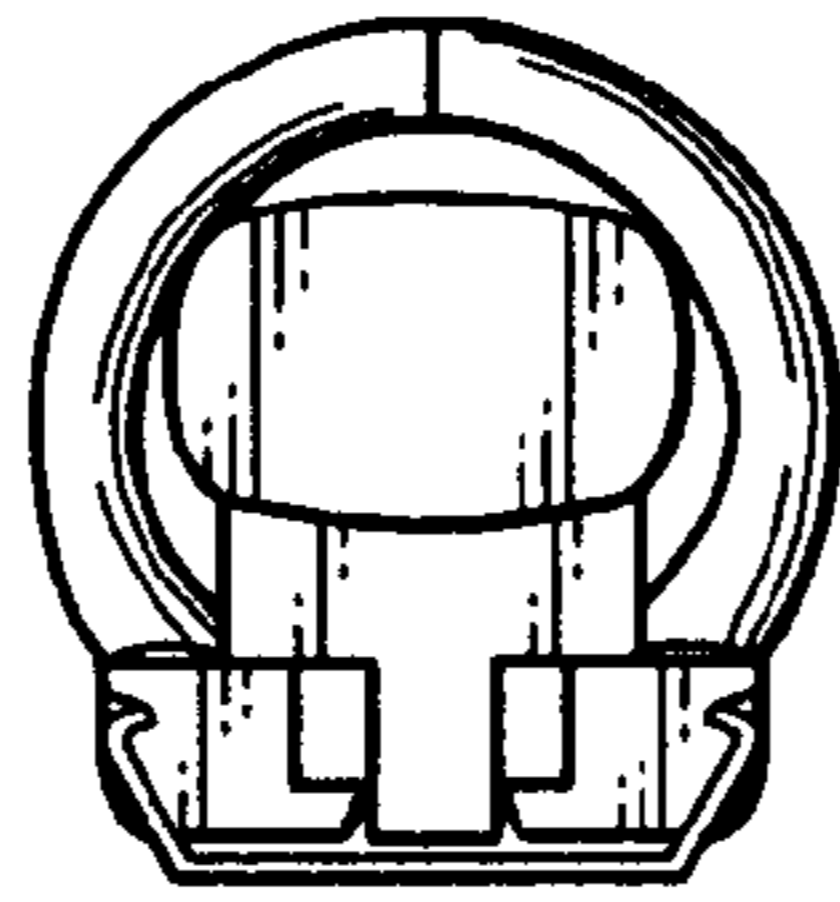


Fig.5

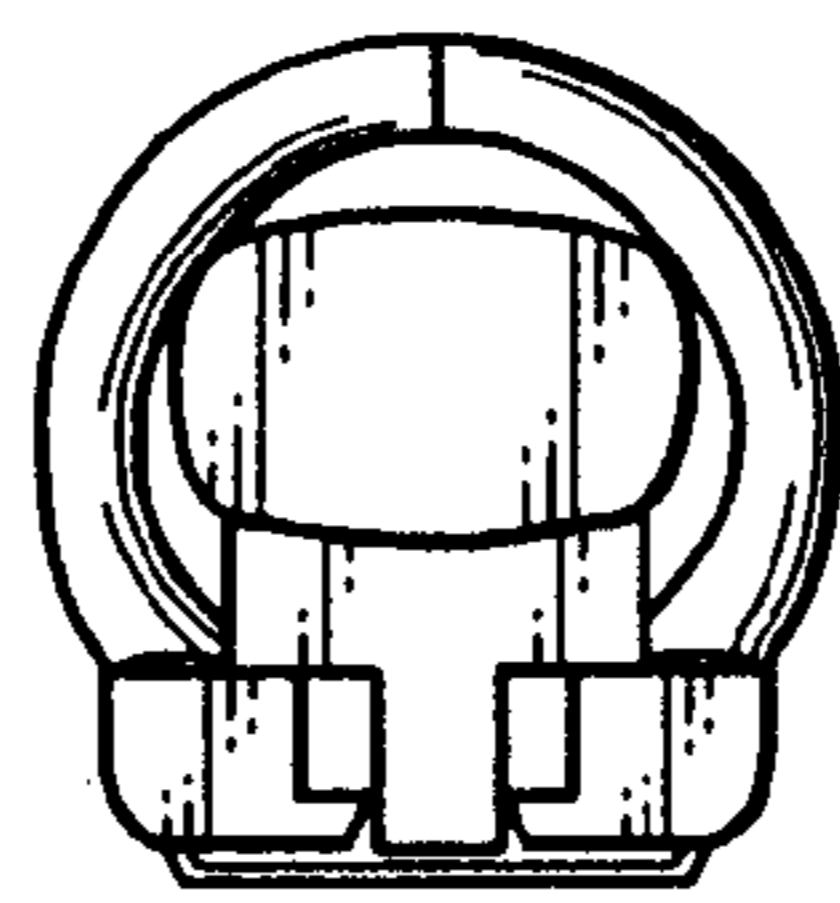


Fig.6

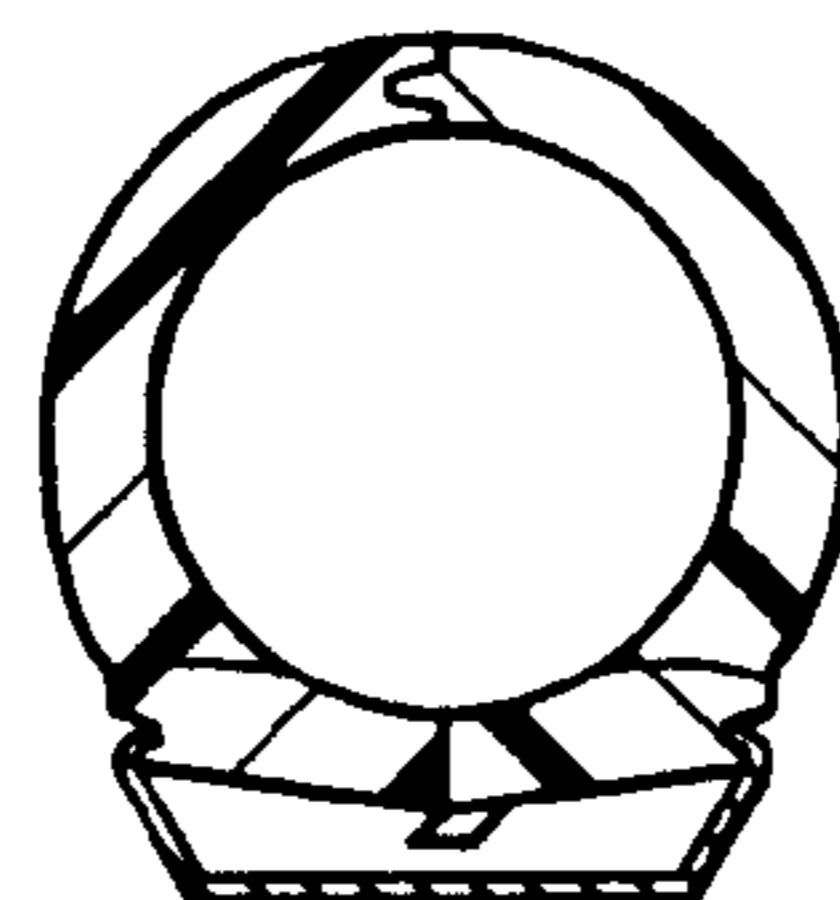


Fig. 7

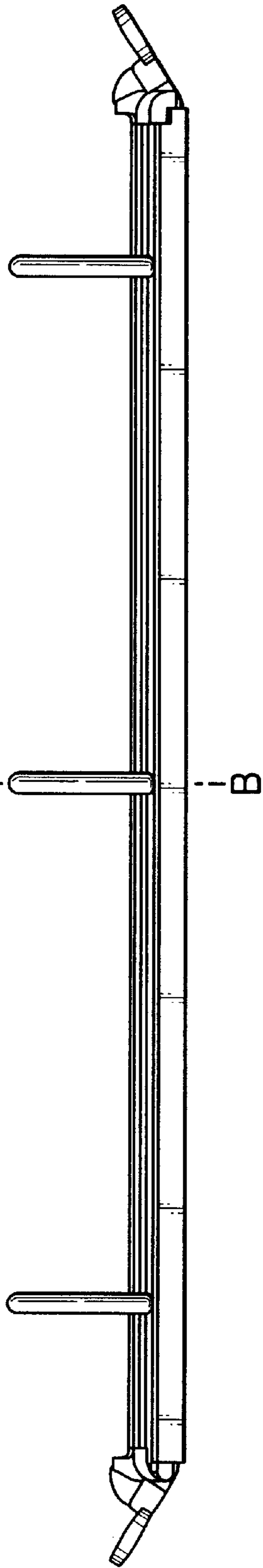


Fig. 8

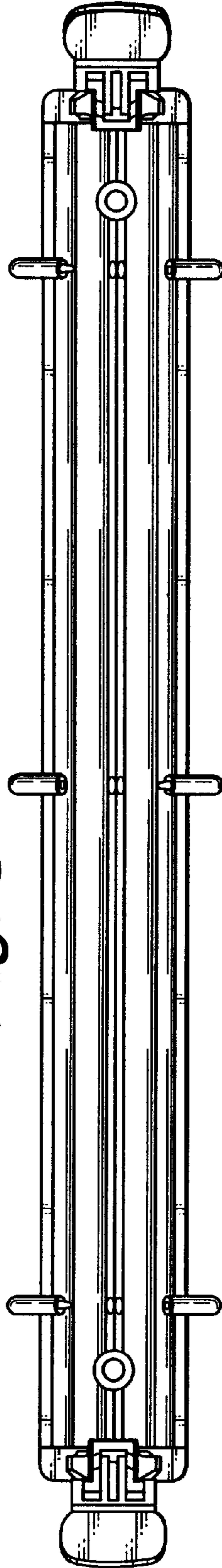


Fig. 9

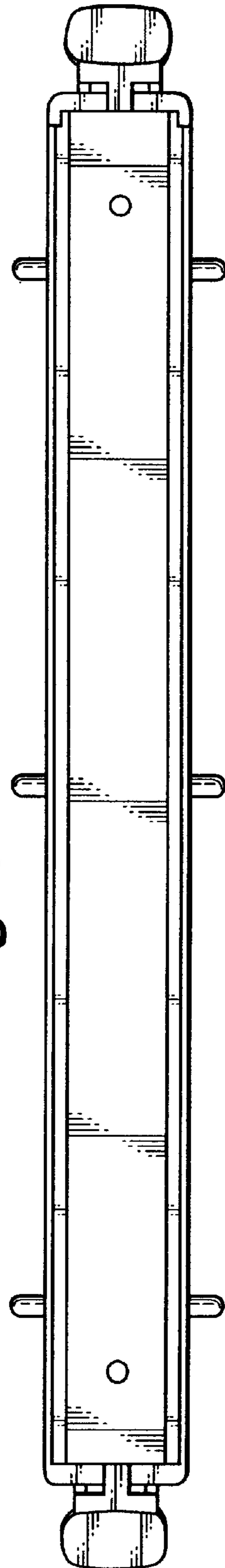


Fig. 10

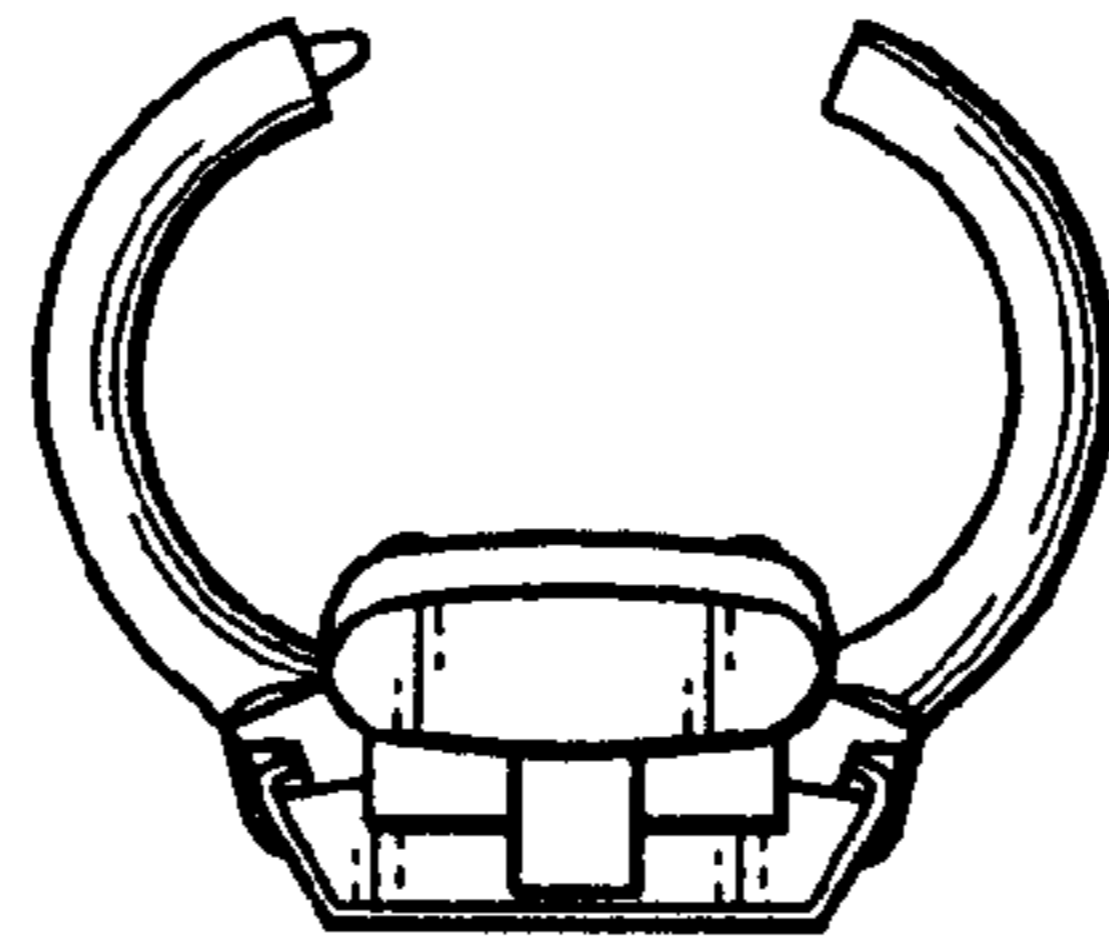


Fig. 11

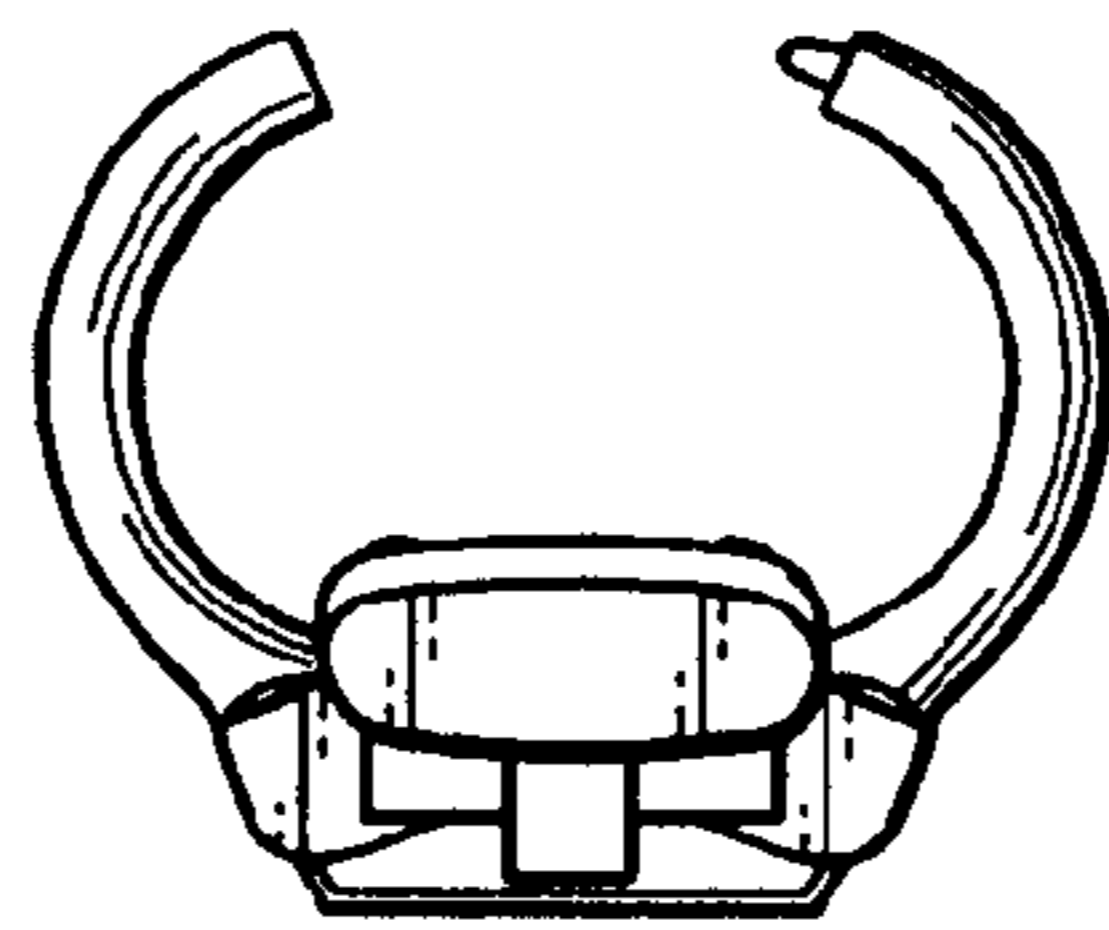


Fig. 12

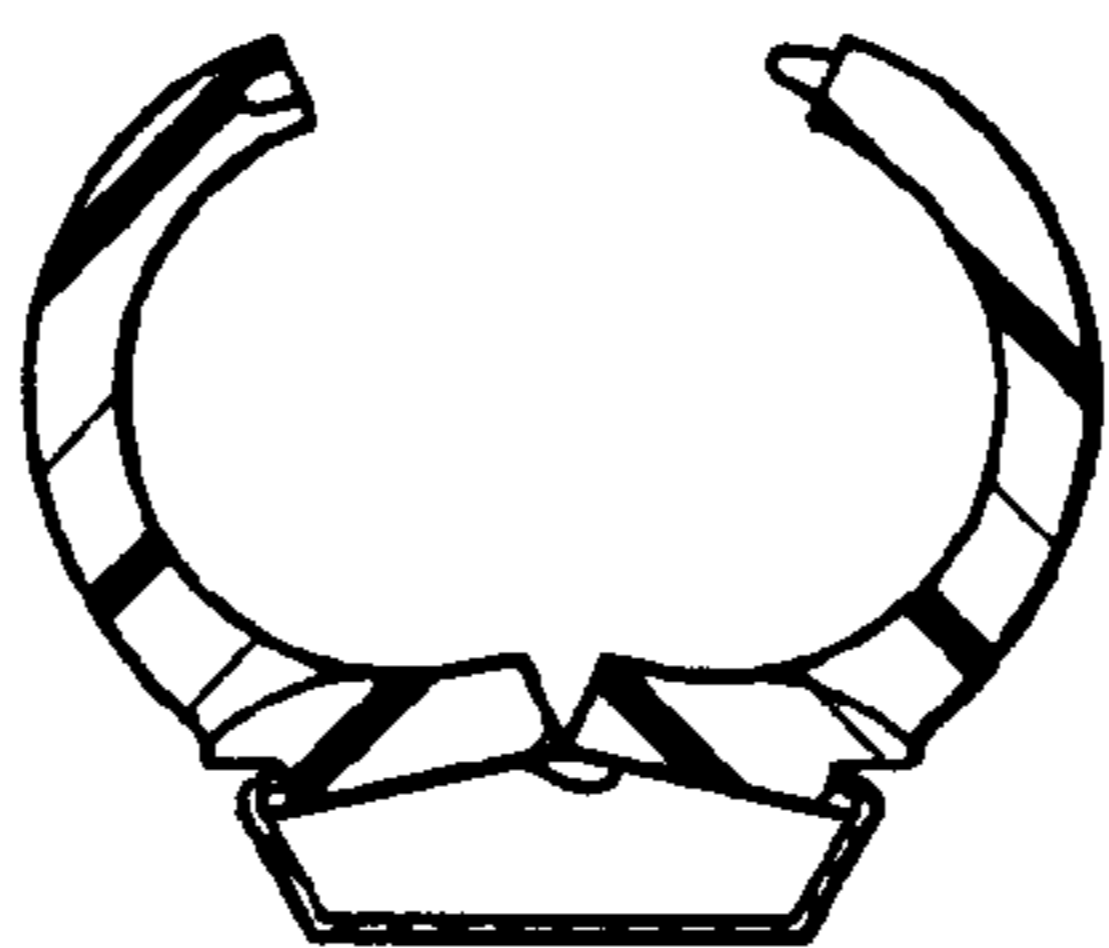


Fig. 13

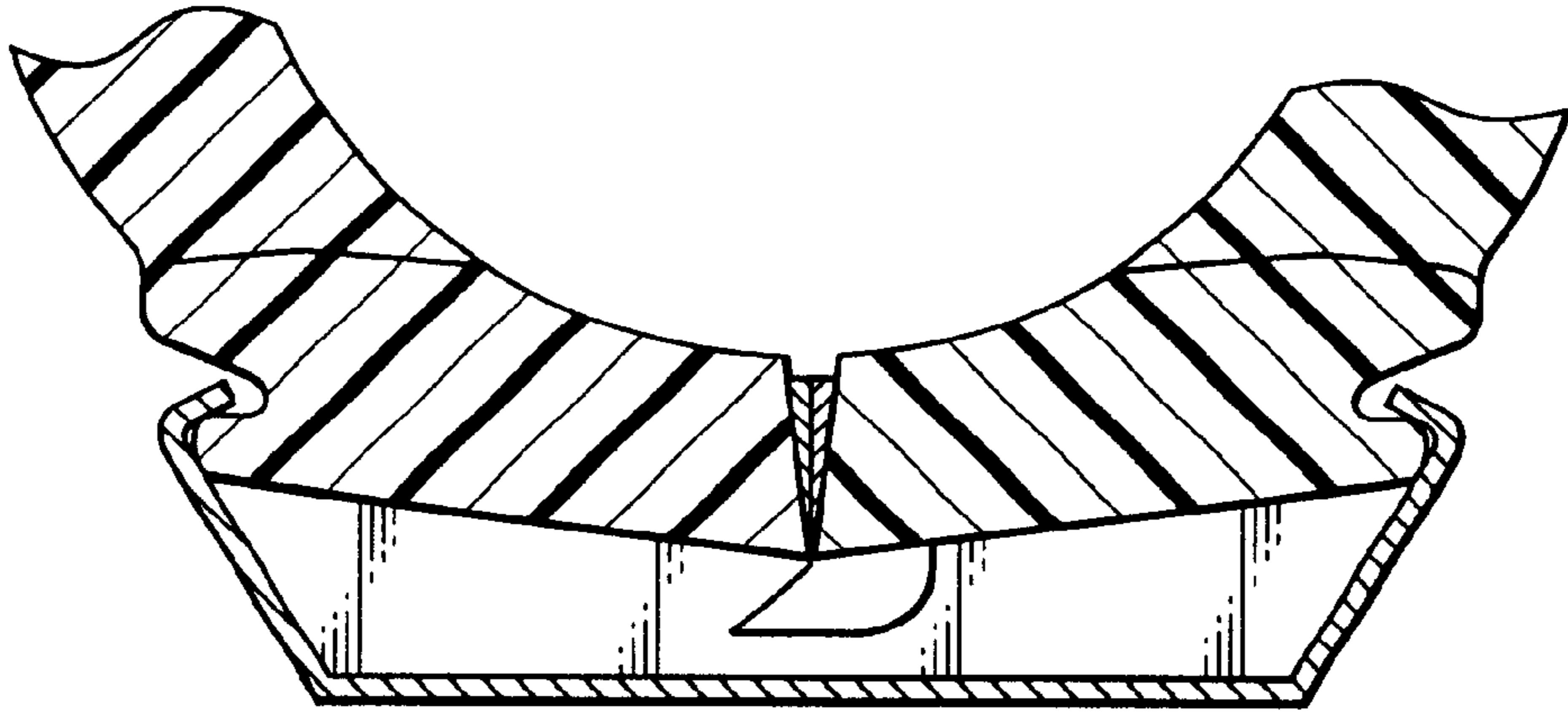


Fig. 14

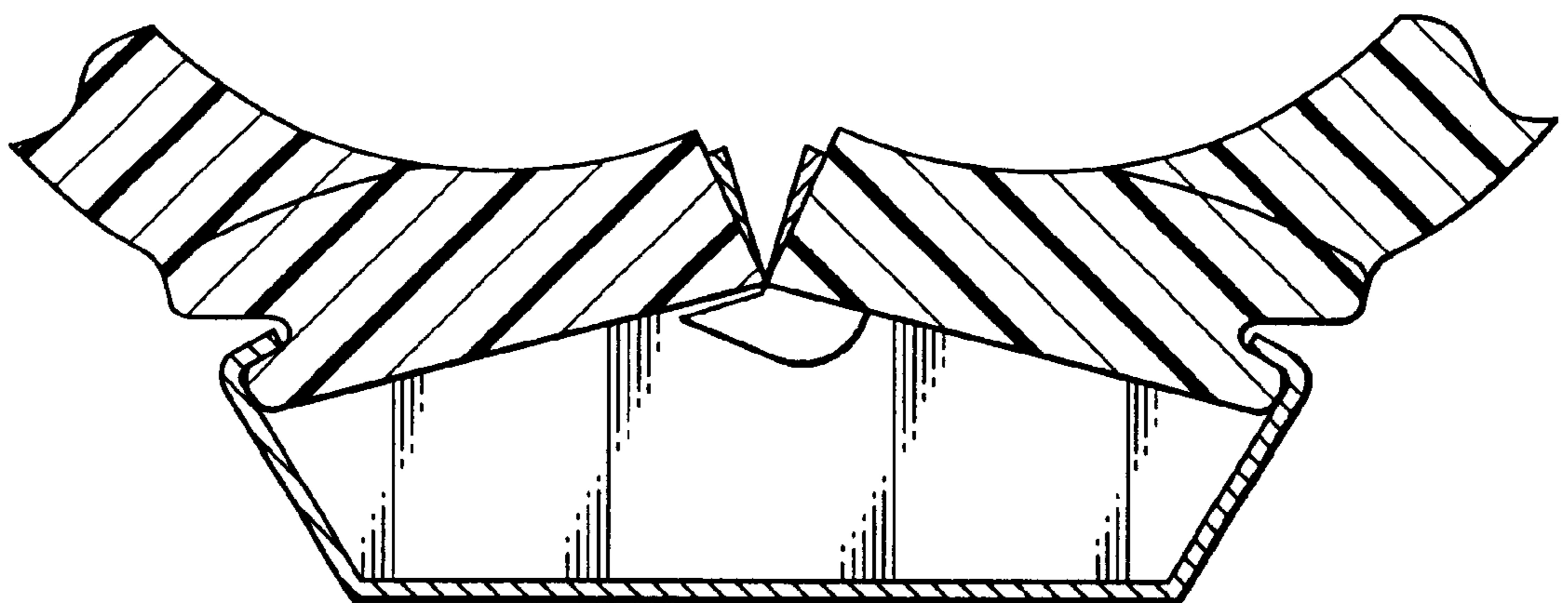


Fig. 15

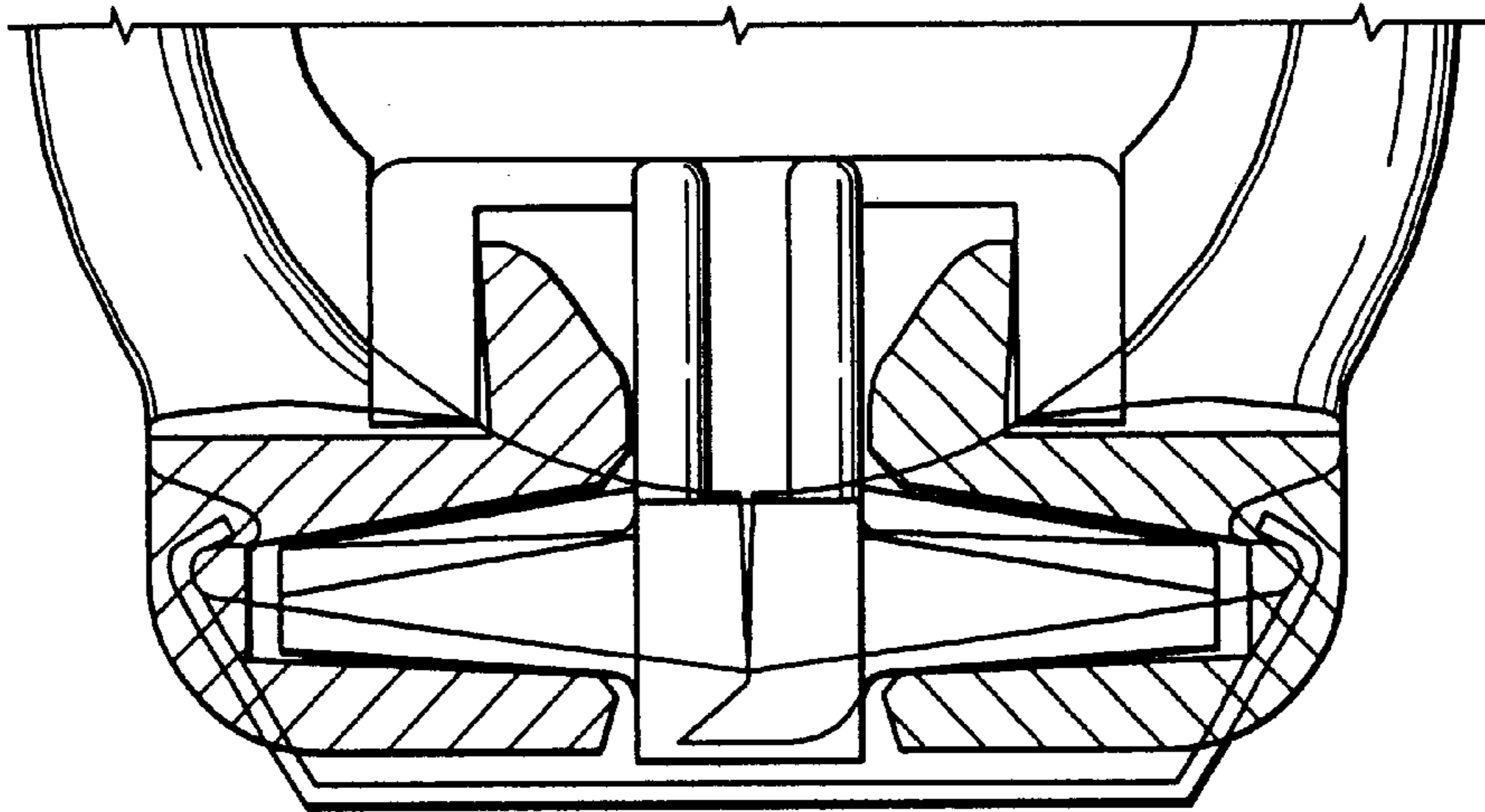


Fig. 16

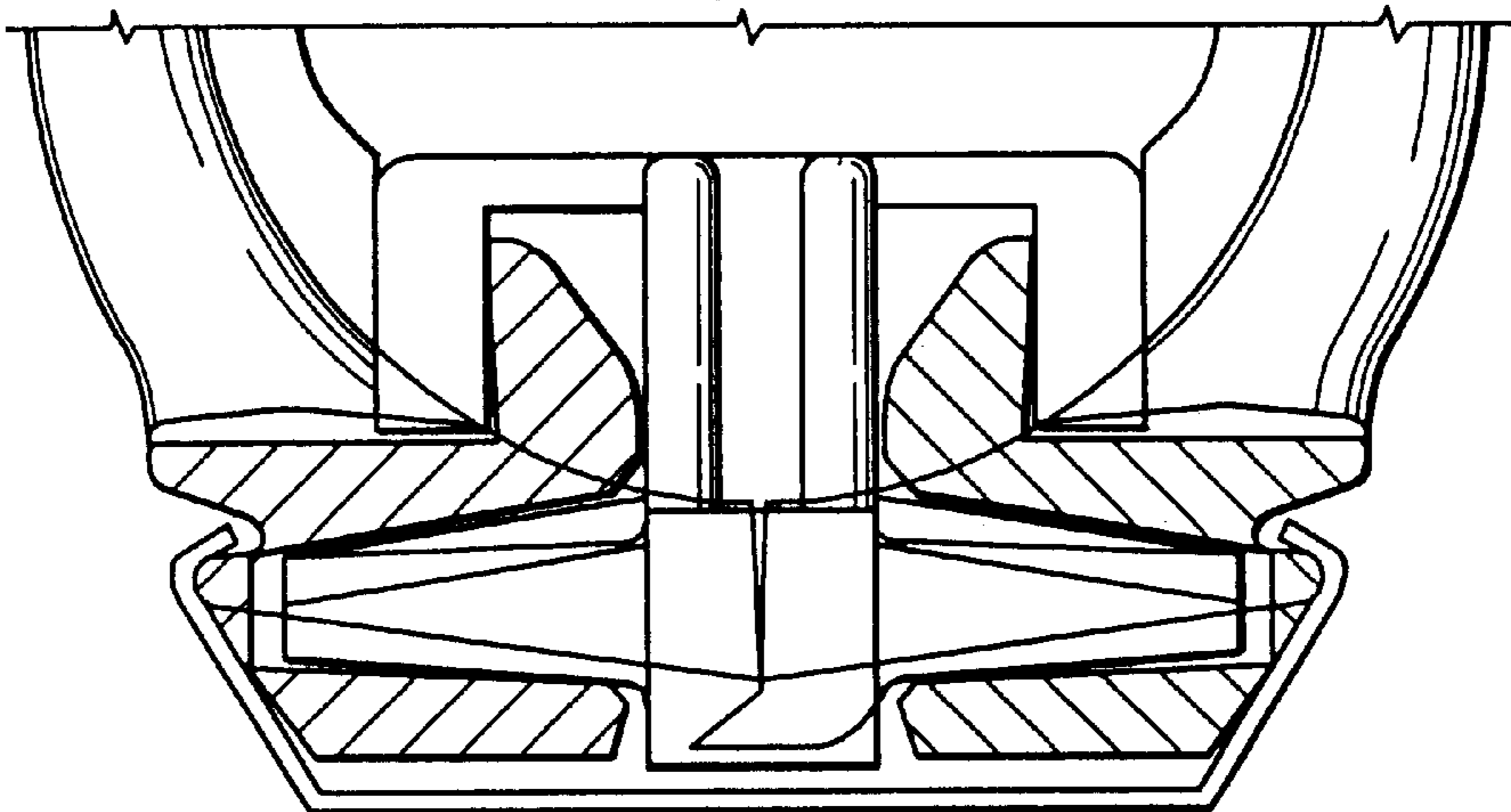


Fig. 17

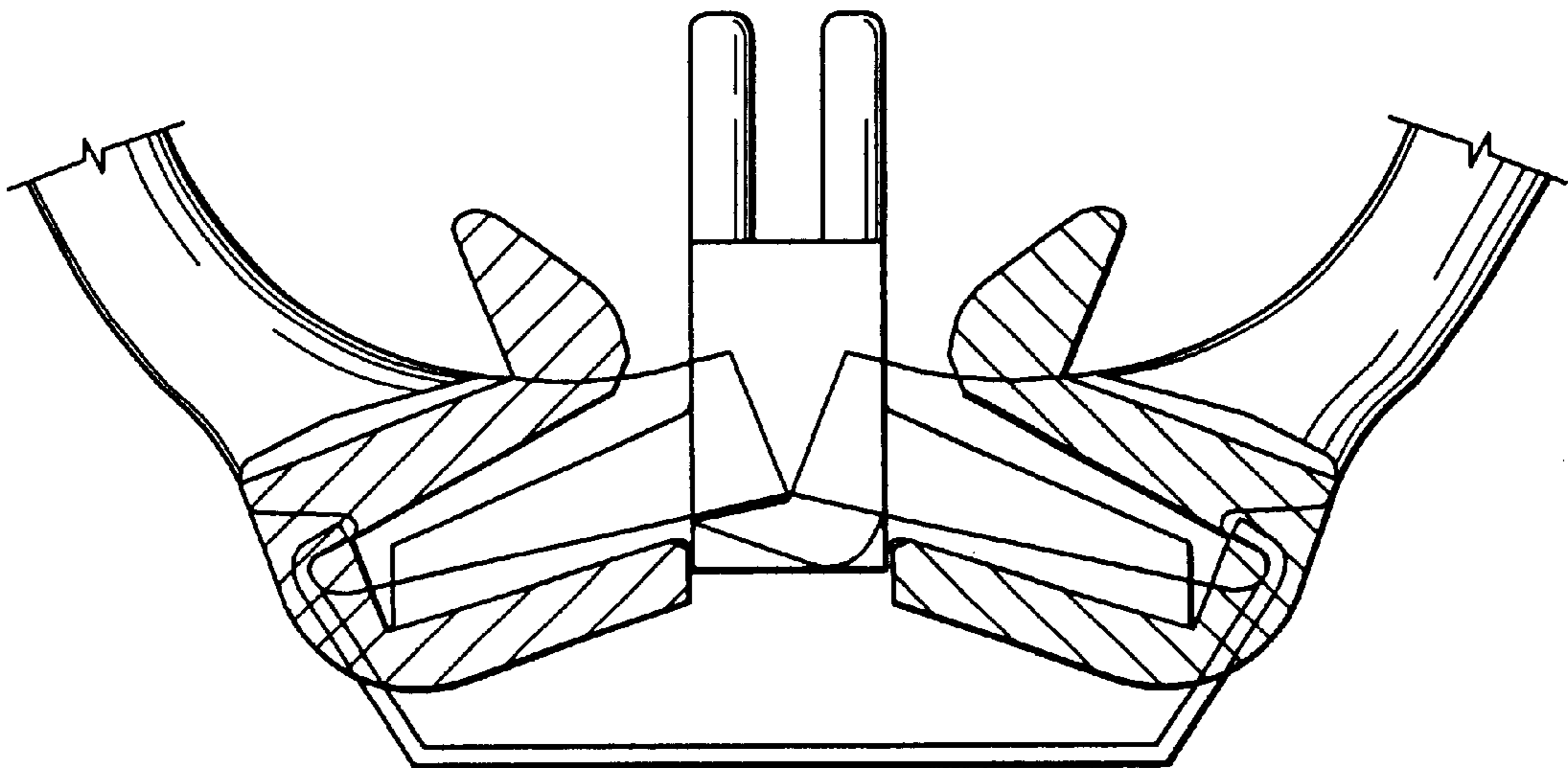


Fig. 18

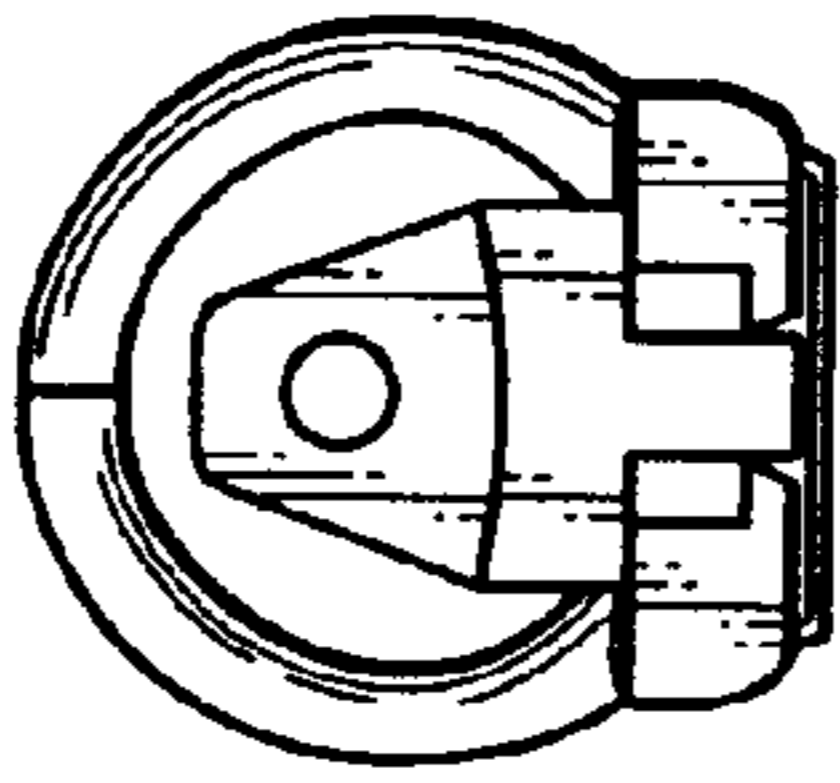


Fig. 19

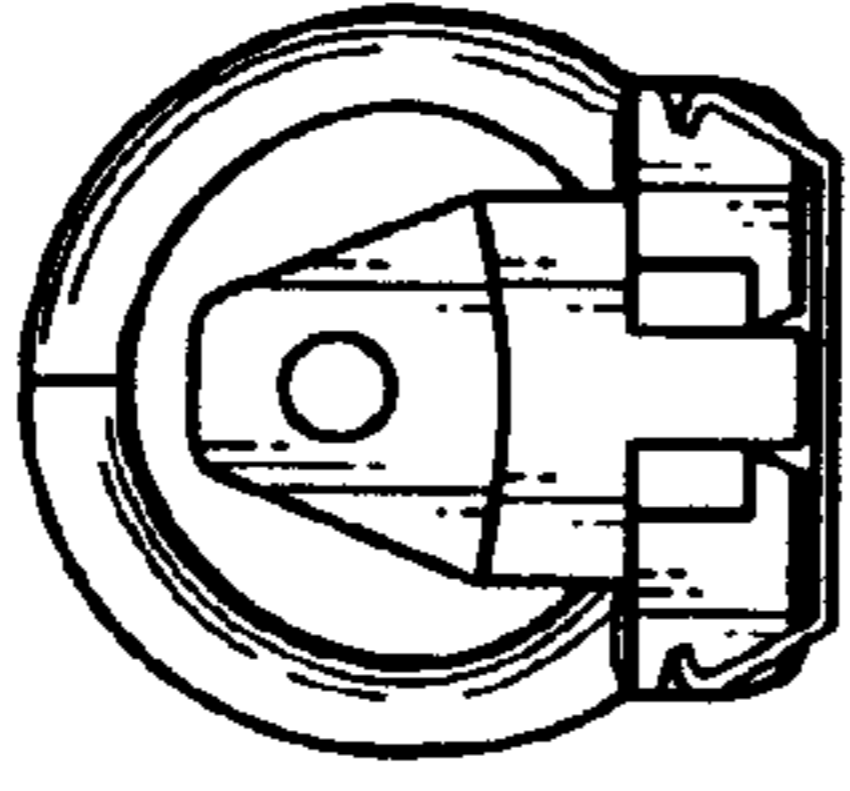


Fig. 20

