



US00D451948B1

(12) **United States Design Patent**
Wu et al.

(10) **Patent No.:** **US D451,948 S**

(45) **Date of Patent:** **** Dec. 11, 2001**

(54) **SHREDDER**

D. 437,343 * 2/2001 Ho D18/34

(75) Inventors: **Chang-Chih Wu; Kris Verstockt**, both
of Taipei (TW)

* cited by examiner

(73) Assignee: **Primax Electronics**, Taipei (TW)

Primary Examiner—Melody N. Brown
(74) *Attorney, Agent, or Firm*—Laff, Whitesel & Saret,
Ltd.; J. Warren Whitesel

(**) Term: **14 Years**

(57) **CLAIM**

(21) Appl. No.: **29/134,981**

The ornamental design for a shredder, as shown and as
described.

(22) Filed: **Jan. 3, 2001**

DESCRIPTION

(51) **LOC (7) Cl.** **18-04**

FIG. 1 is a perspective view showing a shredder of our new
design;

(52) **U.S. Cl.** **D18/34**

FIG. 2 is a top plan view thereof;

(58) **Field of Search** D18/34, 99; D19/72;
D15/127, 129, 141; 241/100, 169.1, 236

FIG. 3 is a bottom plan view thereof;

FIG. 4 is a left side view thereof;

FIG. 5 is a right side view thereof;

FIG. 6 is a front elevational view thereof; and,

FIG. 7 is a rear elevational view thereof.

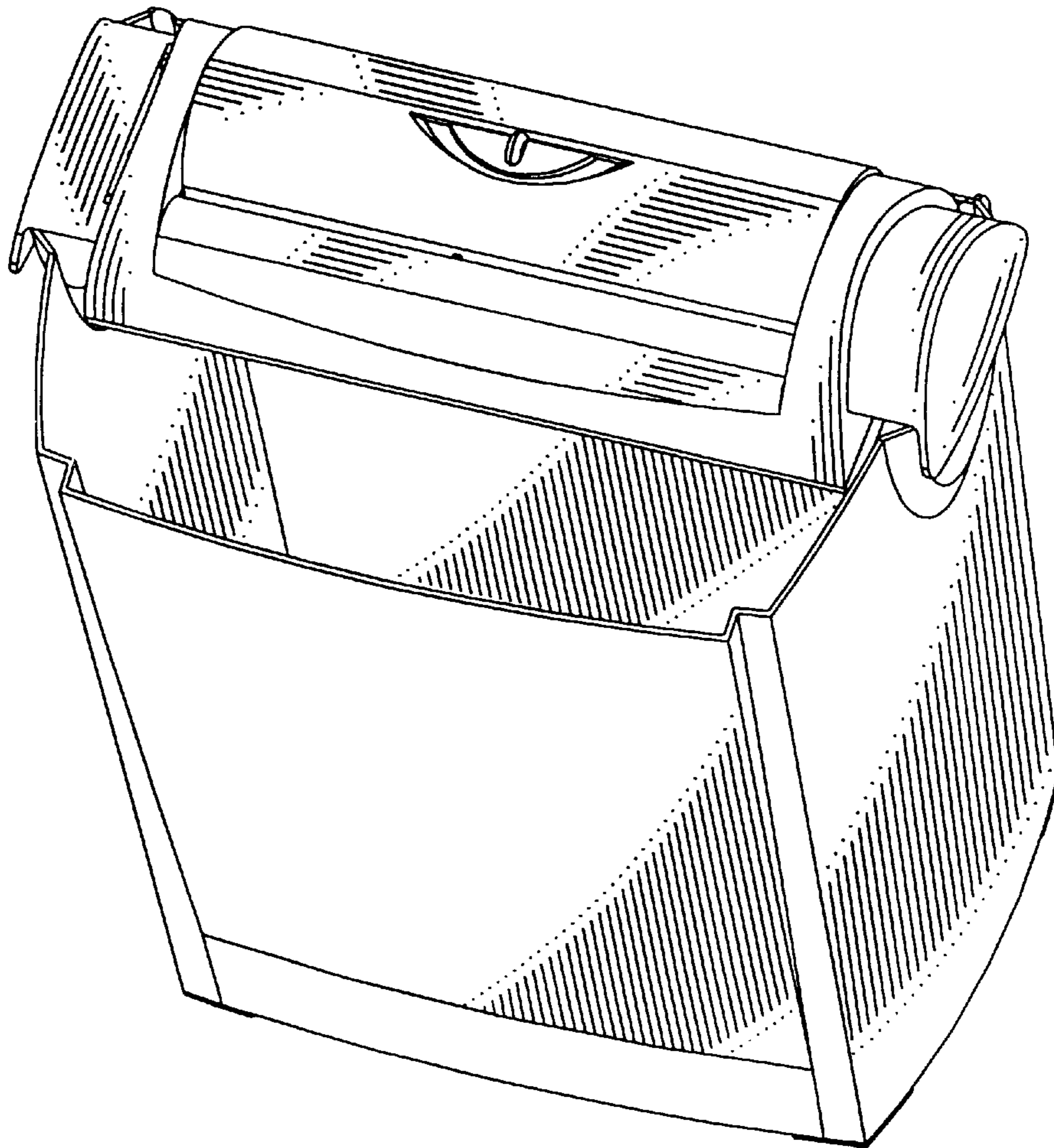
(56) **References Cited**

U.S. PATENT DOCUMENTS

D. 410,246 * 5/1999 Holderfield D18/34

D. 410,946 * 6/1999 Holderfield D18/34

1 Claim, 7 Drawing Sheets



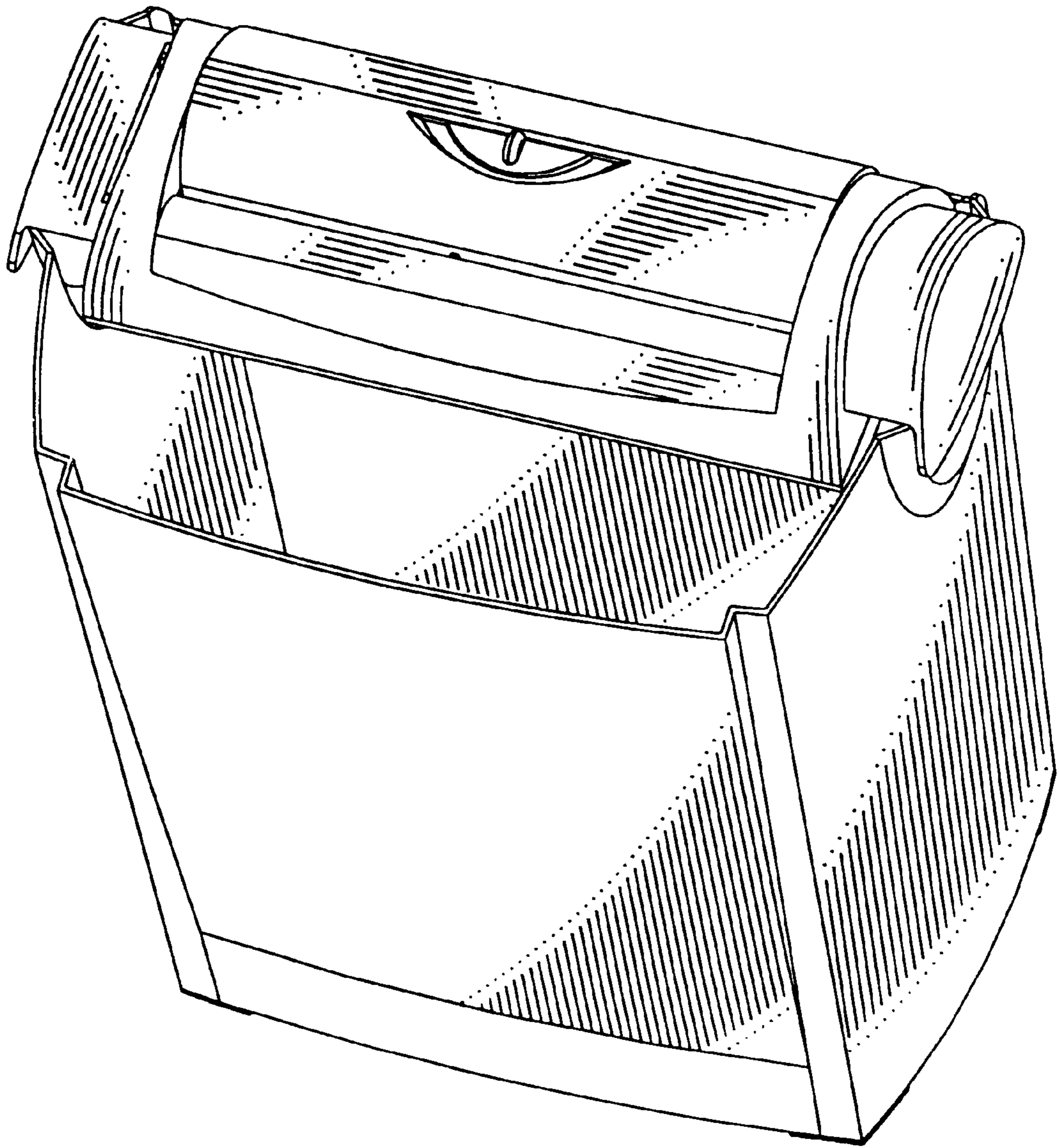


Fig. 1

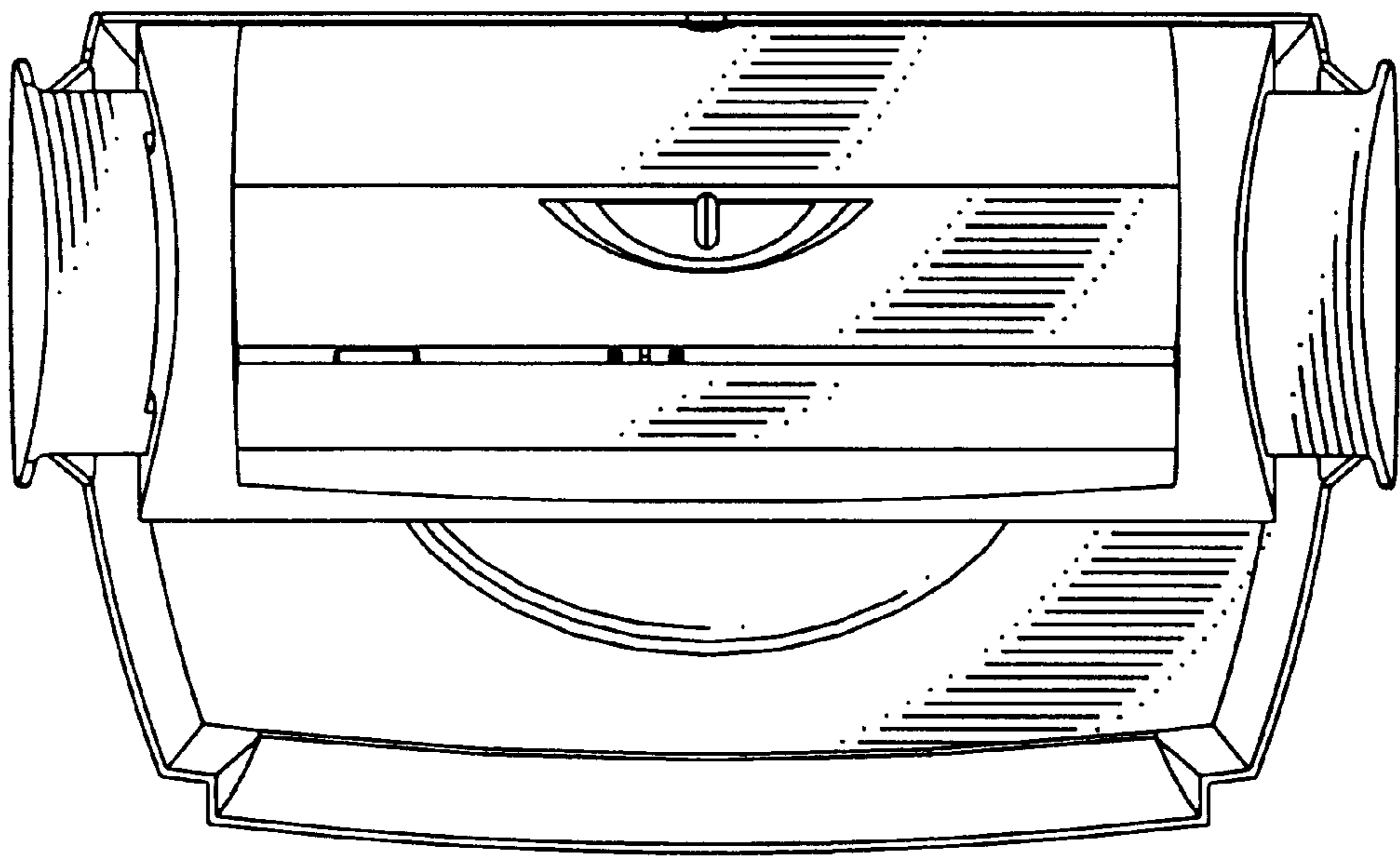


Fig. 2

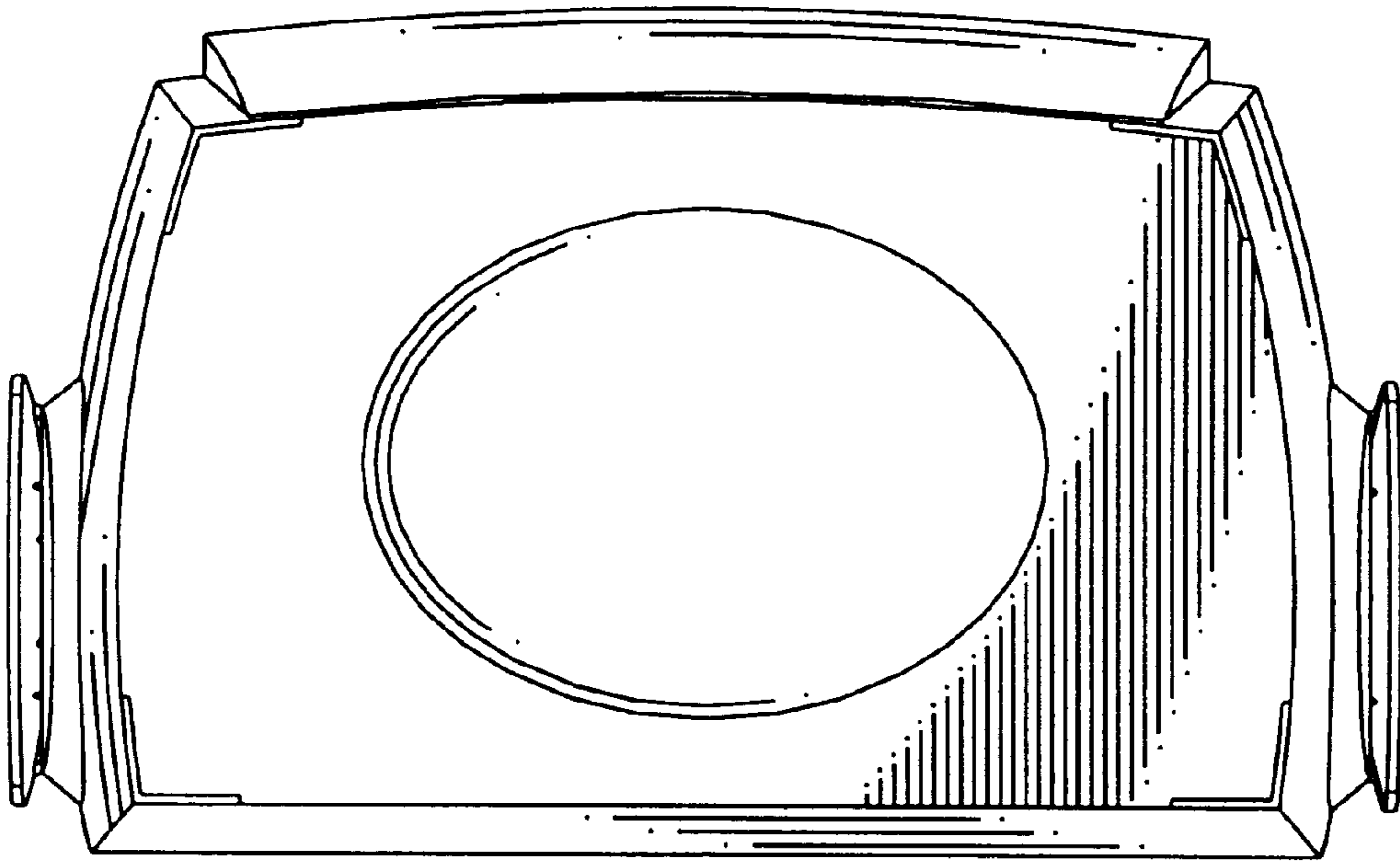


Fig. 3

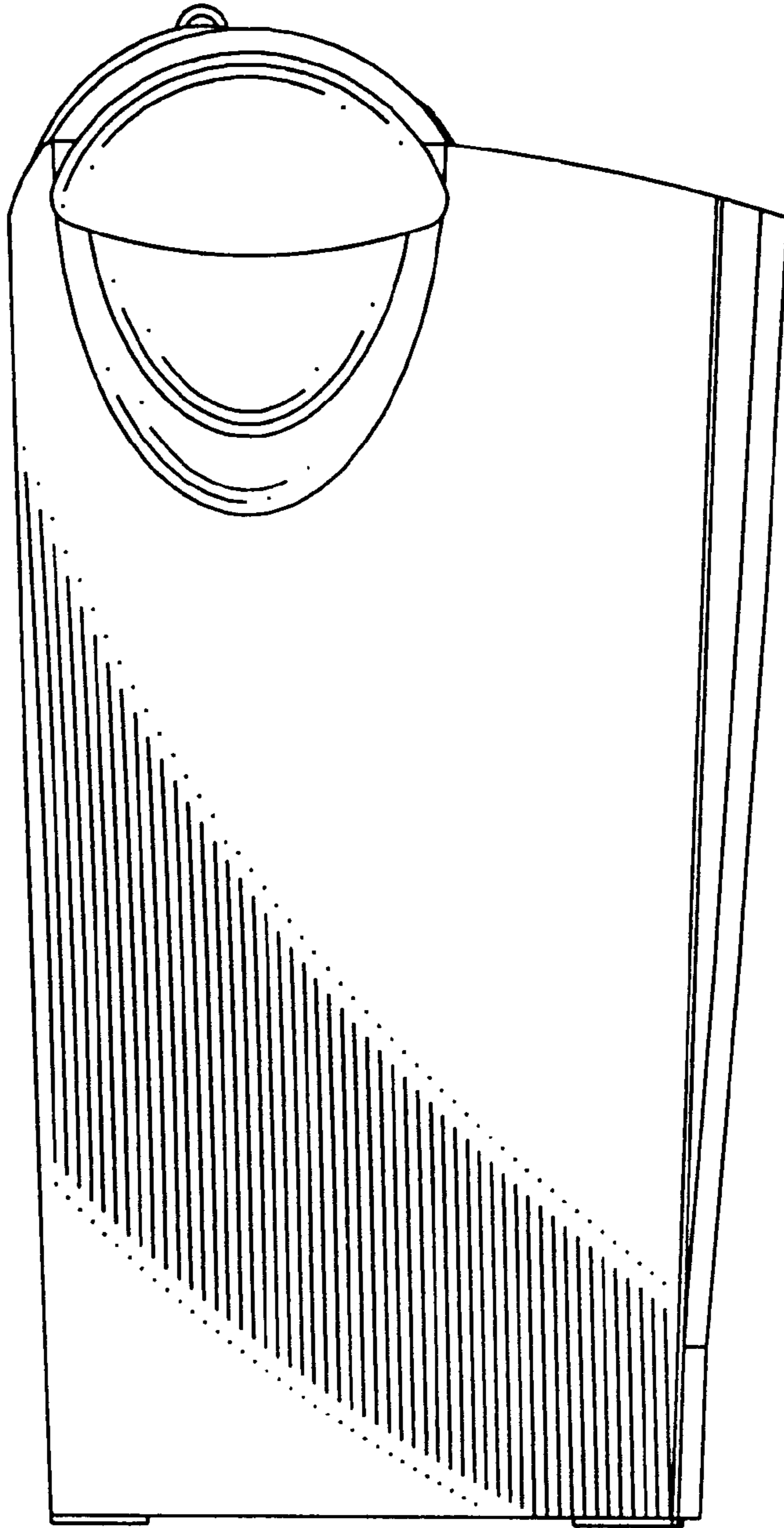


Fig. 4

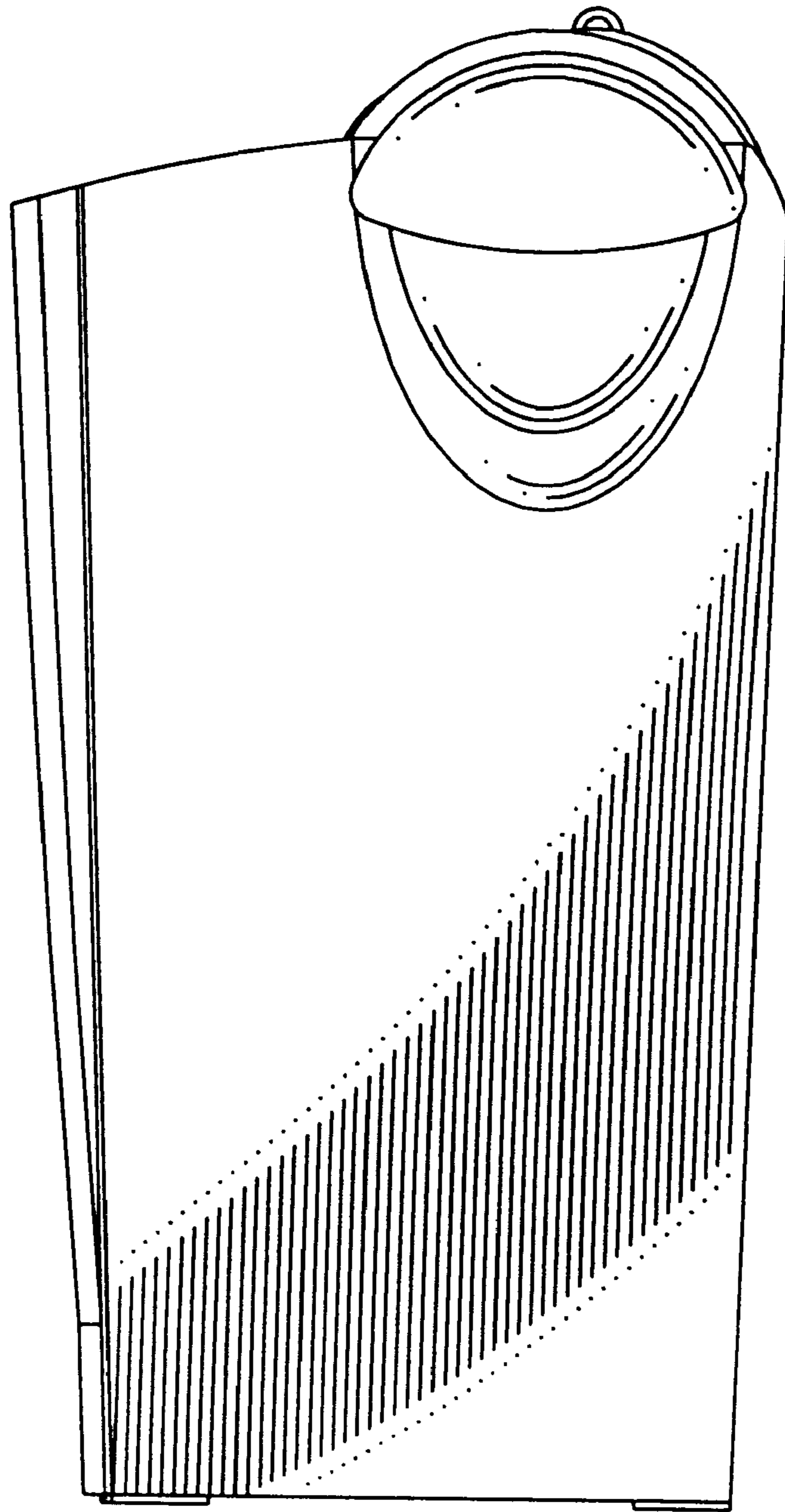


Fig. 5

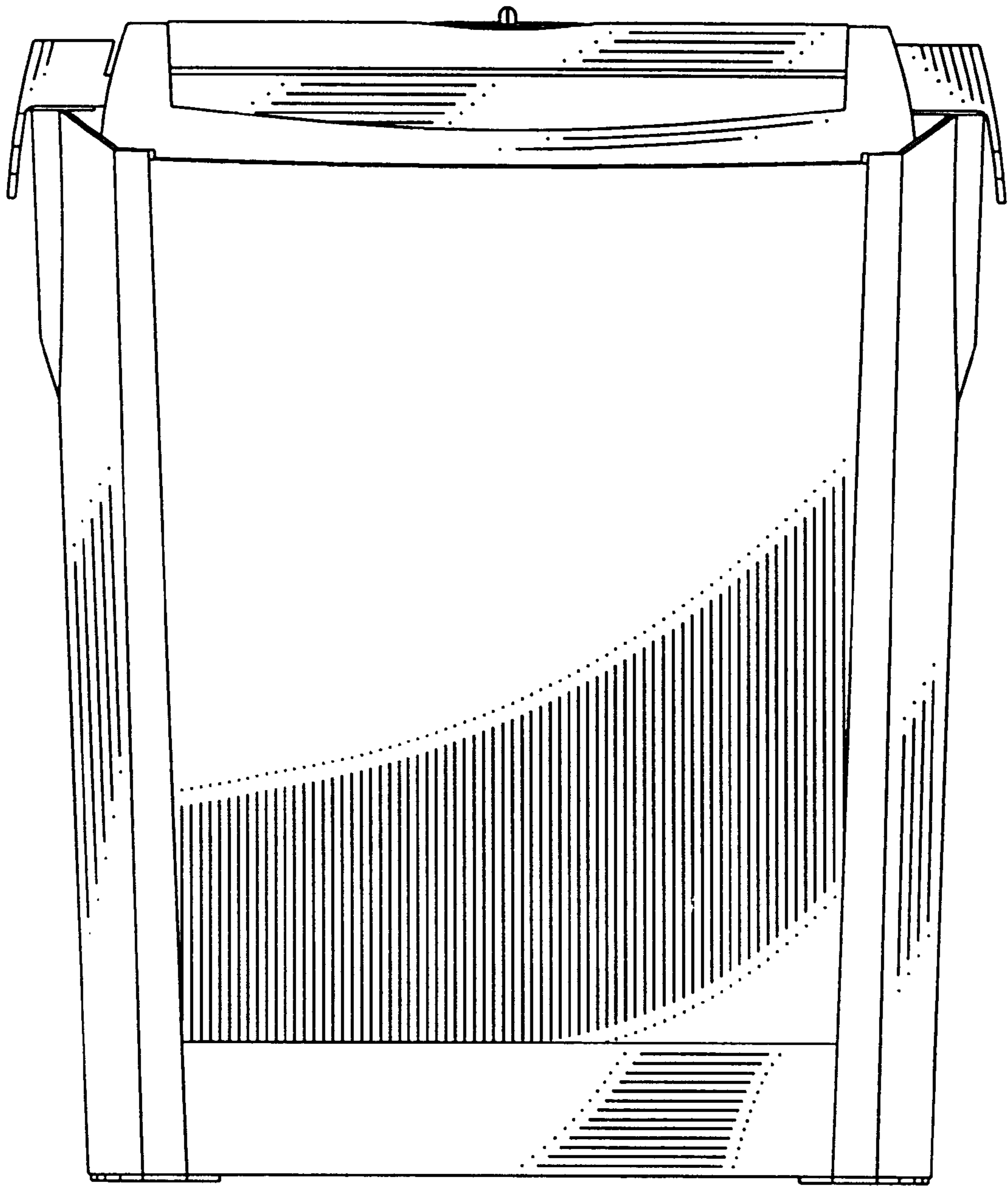


Fig. 6

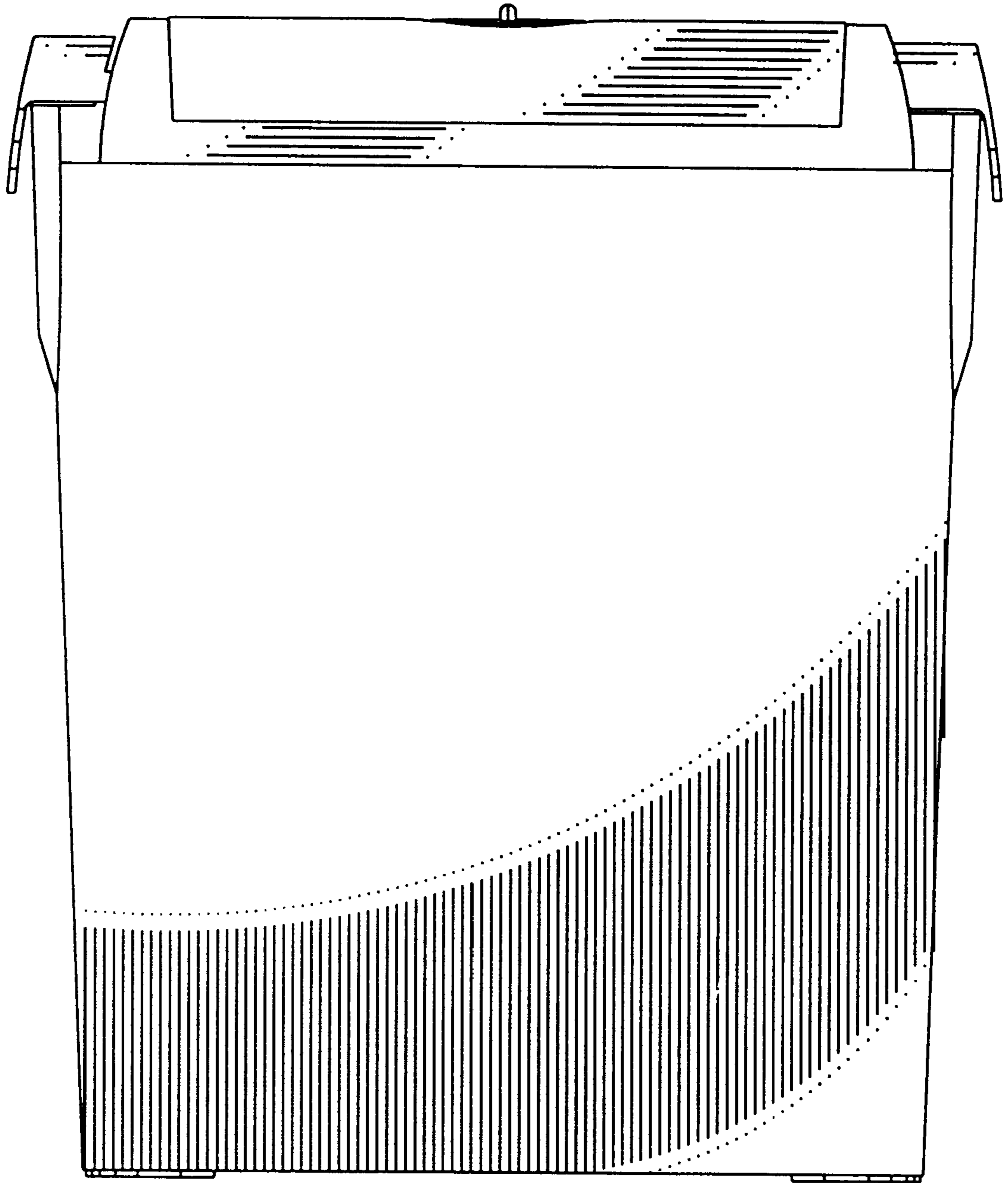


Fig. 7