



US00D451944B1

(12) **United States Design Patent**  
**Lipkin et al.**

(10) **Patent No.:** **US D451,944 S**

(45) **Date of Patent:** **\*\* Dec. 11, 2001**

(54) **SELF INKING STAMP**

(75) Inventors: **Dmitry Lipkin**, Edison; **Michael P. Zambelli**, Livingston, both of NJ (US)

(73) Assignee: **M&R Marking Systems, Inc.**, Piscataway, NJ (US)

(\*\*) Term: **14 Years**

(21) Appl. No.: **29/114,639**

(22) Filed: **Nov. 29, 1999**

(51) **LOC (7) Cl.** ..... **19-02**

(52) **U.S. Cl.** ..... **D18/15**

(58) **Field of Search** ..... D18/14-18; 101/327,  
101/333, 334, 368, 371, 379, 405; D19/65;  
401/199

(56) **References Cited**

**U.S. PATENT DOCUMENTS**

D. 266,257	*	9/1982	Ahrens	.....	D18/15
D. 359,064	*	6/1995	Sculler et al.	.....	D18/18
D. 359,504	*	6/1995	Stefanski et al.	.....	D18/18
D. 367,292	*	2/1996	Franks et al.	.....	D18/18
D. 417,464	*	12/1999	Skopek	.....	D18/15
D. 421,452	*	3/2000	Pichler	.....	D18/15
6,067,905	*	5/2000	Faber	.....	101/334

**OTHER PUBLICATIONS**

Jacobs Gardner Office Products 1988 Catalog, p. 724, "Medium Dater", left center of page.\*

Guernsey Office Products 2001 Catalog, p. 995, Item "B".\*

\* cited by examiner

*Primary Examiner*—Alan P. Douglas

*Assistant Examiner*—Clare E. Heflin

(74) *Attorney, Agent, or Firm*—Lerner, David, Littenberg, Krumholz & Mentlik, LLP

(57) **CLAIM**

The ornamental design for a self inking stamp, as shown and described.

**DESCRIPTION**

FIG. 1 is a rear left perspective view of the self inking stamp in accordance with my invention; and

FIG. 2 is a rear elevational view thereof.

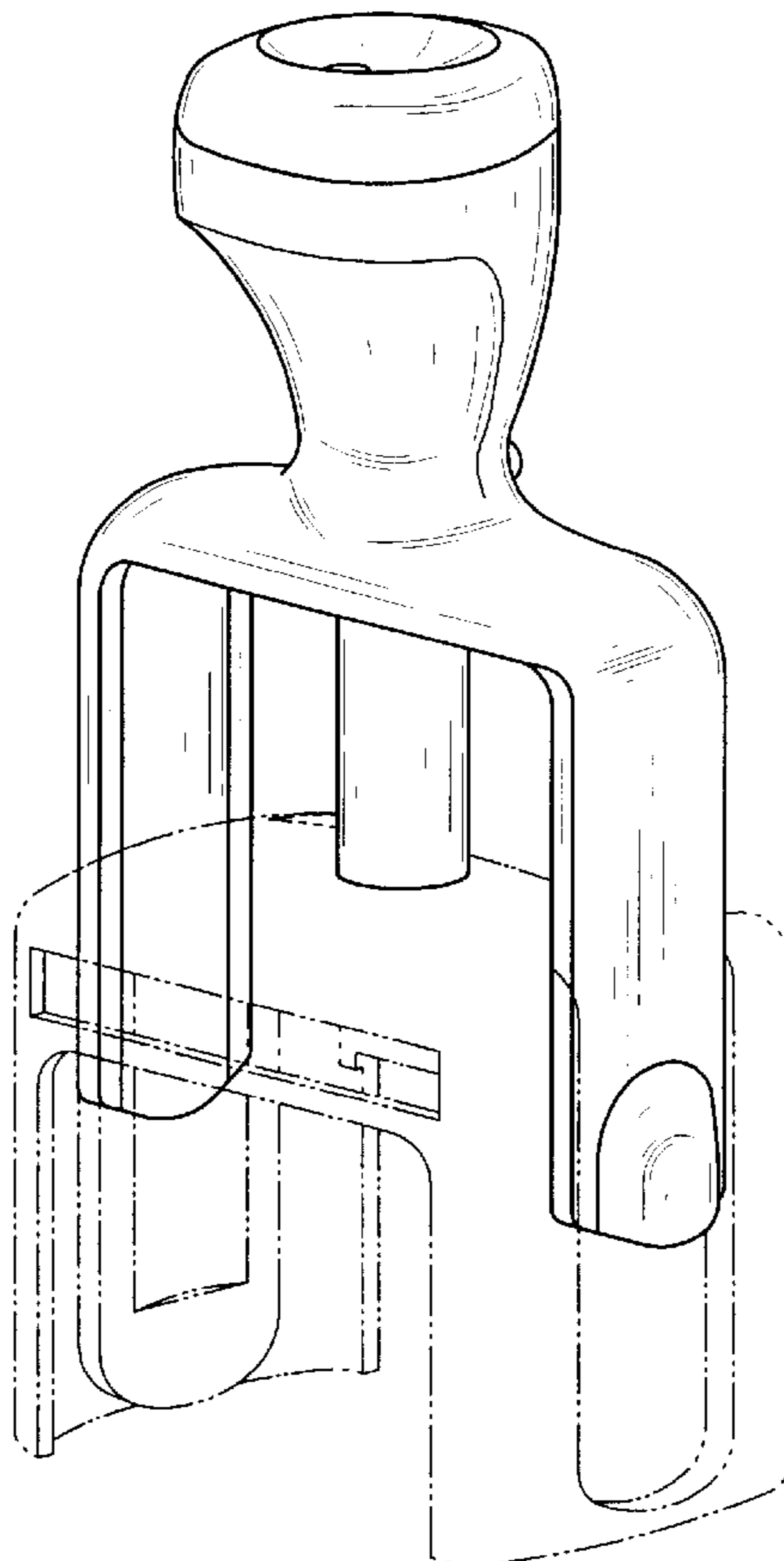
FIG. 3 is a front elevational view thereof;

FIG. 4 is a right side elevational view thereof; and,

FIG. 5 is a top plan view thereof.

No claim is made to the appearance of the base, which is depicted in phantom in FIGS. 1-5.

**1 Claim, 3 Drawing Sheets**



*FIG. 1*

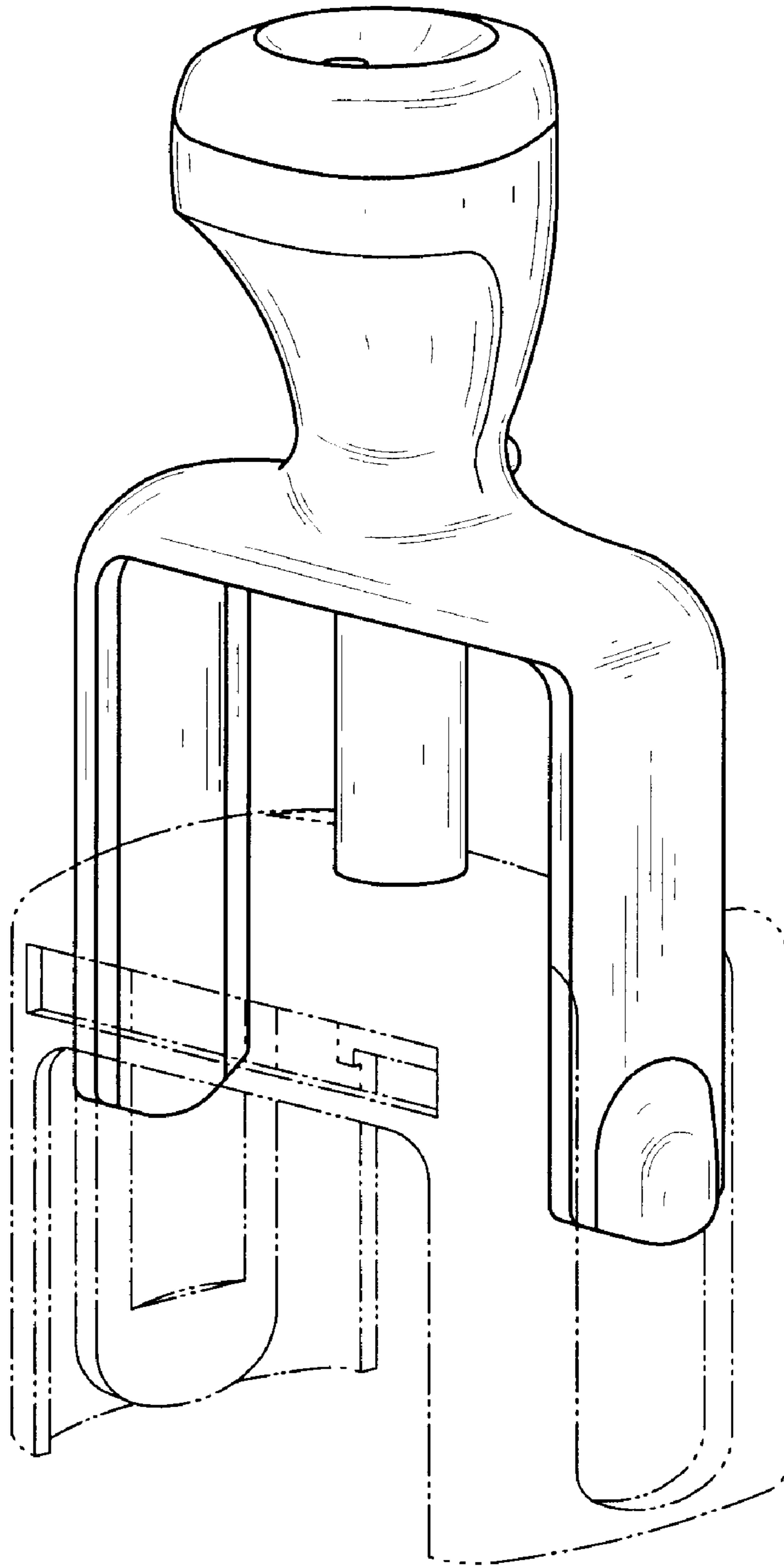


FIG. 2

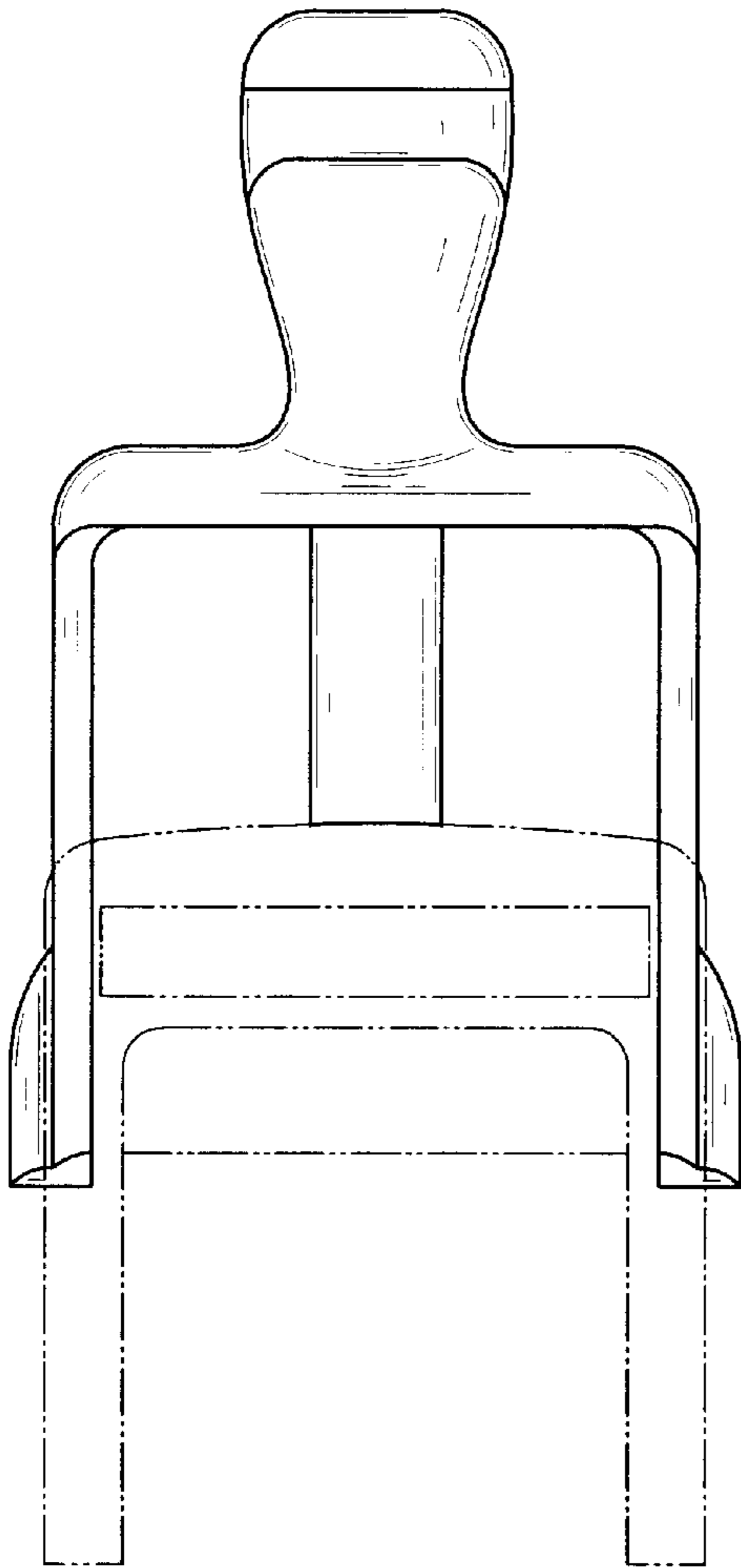


FIG. 3

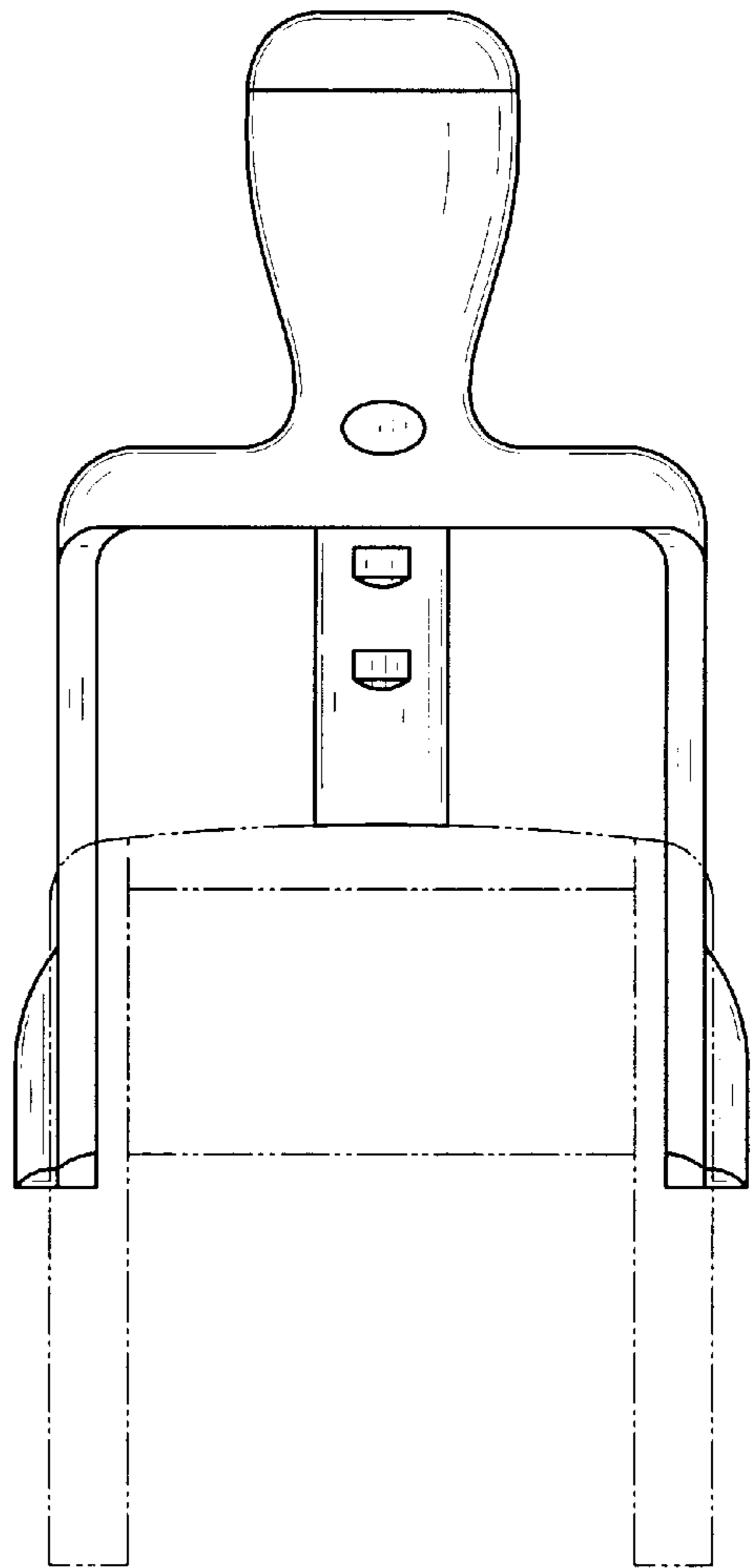


FIG. 4

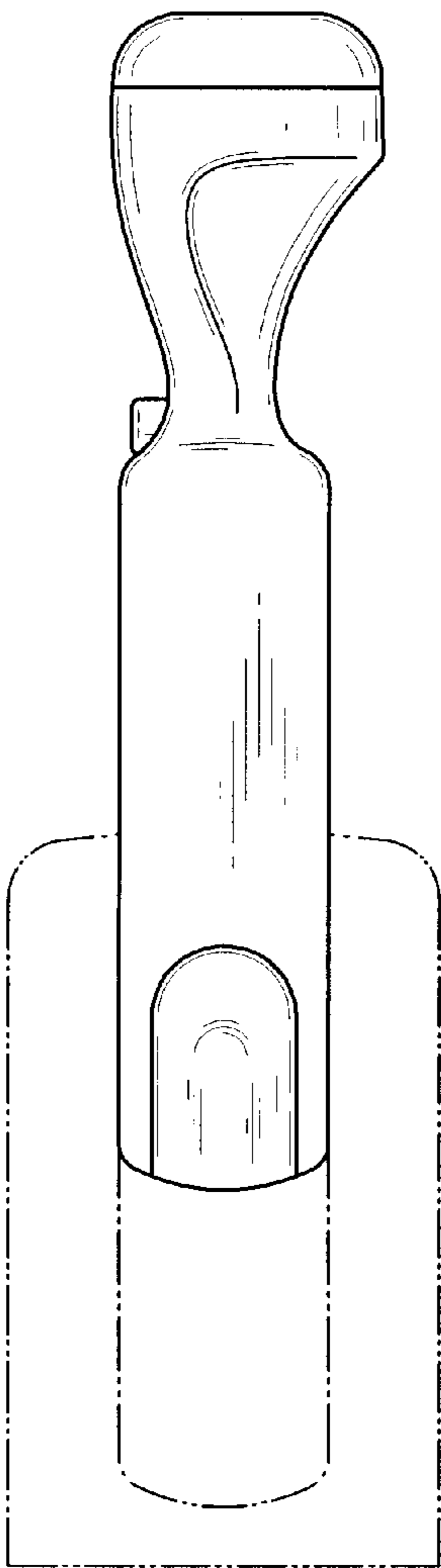


FIG. 5

