



US00D451943B1

(12) **United States Design Patent**
Forslund

(10) **Patent No.:** **US D451,943 S**

(45) **Date of Patent:** **** Dec. 11, 2001**

(54) **COIN SORTING AND CALCULATING MACHINE**

4,059,122 * 11/1977 Kinoshita 453/3

4,172,462 * 10/1979 Uchida et al. 453/6

5,429,551 7/1995 Uecker et al. .

5,501,632 * 3/1996 Adams et al. 453/3

(75) Inventor: **Carl Forslund, Höllviken (SE)**

(73) Assignee: **Scan Coin Industries AB, Malmo (SE)**

(**) Term: **14 Years**

(21) Appl. No.: **29/137,346**

(22) Filed: **Feb. 16, 2001**

(30) **Foreign Application Priority Data**

Aug. 18, 2000 (SE) 00-1489

(51) **LOC (7) Cl.** **18-01**

(52) **U.S. Cl.** **D18/3.1**

(58) **Field of Search** D18/3.1; D99/28,
D99/34, 35, 43; D20/418, 9; 453/3, 6, 33,
35; 232/57.5; 109/19

(56) **References Cited**

U.S. PATENT DOCUMENTS

- D. 279,793 * 7/1985 Childers D18/3.1
- D. 279,794 * 7/1985 Childers D18/3.1
- D. 359,152 6/1995 Adams et al. .
- D. 409,354 * 5/1999 Skoog D99/34
- D. 422,016 * 3/2000 Forslund D18/3.1
- D. 432,159 * 10/2000 Mallory D18/3.1
- 3,158,159 * 11/1964 Weber 453/3

OTHER PUBLICATIONS

Pending U.S. application No. 29/133,116, filed Nov. 22, 2000; Inventor—Carl Forslund.

* cited by examiner

Primary Examiner—Paula A. Mortimer

(74) *Attorney, Agent, or Firm*—Brinks Hofer Gilson & Lione

(57) **CLAIM**

The ornamental design for a coin sorting and calculating machine, as shown.

DESCRIPTION

FIG. 1 is a front perspective view of a coin sorting and calculating machine;

FIG. 2 is a rear perspective view thereof;

FIG. 3 is a bottom elevation view thereof;

FIG. 4 is a left elevation side view thereof;

FIG. 5 is a front elevation view thereof;

FIG. 6 is a right elevation side view thereof;

FIG. 7 is a rear elevation view thereof; and,

FIG. 8 is a top plan view thereof.

1 Claim, 4 Drawing Sheets

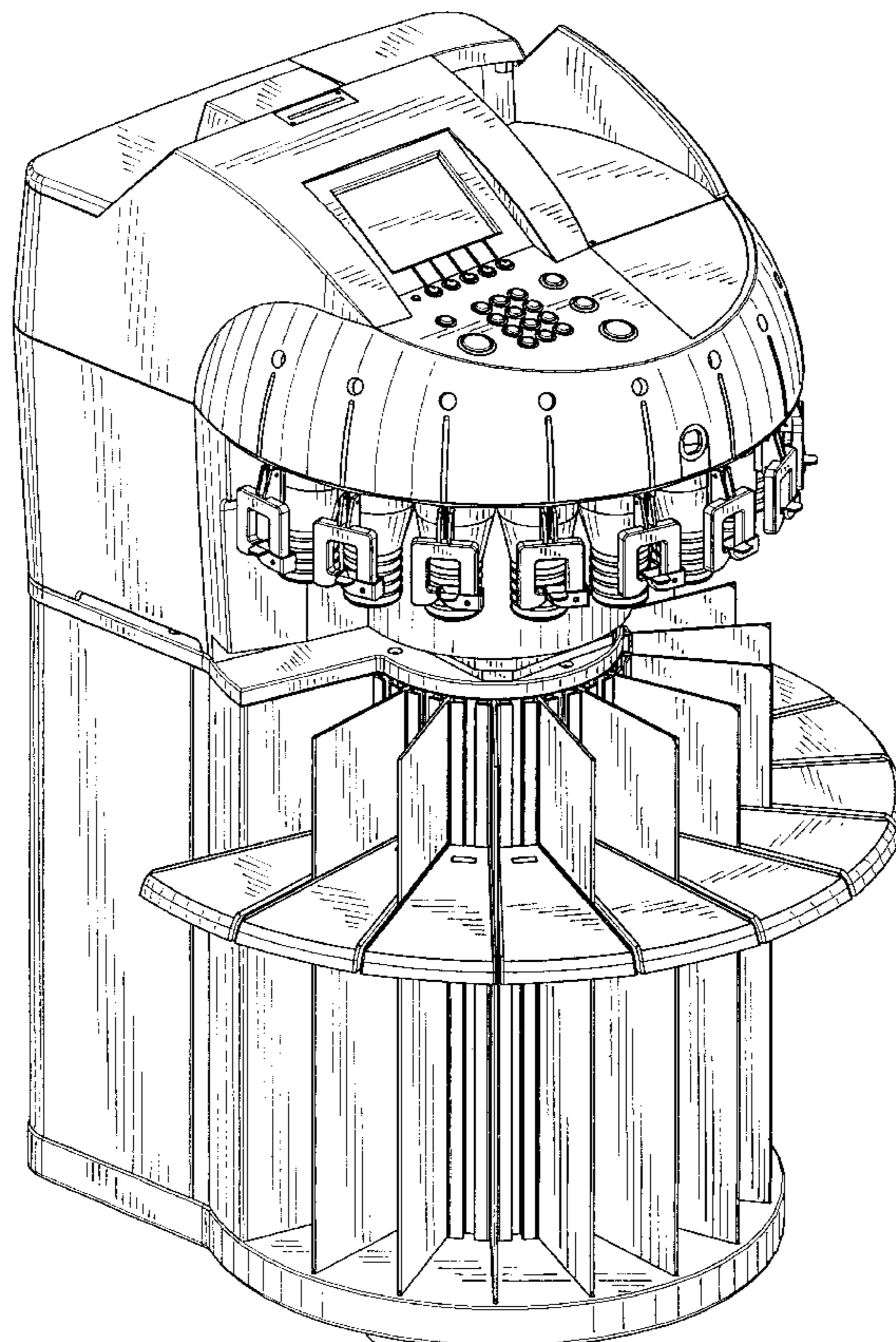


FIG. 1

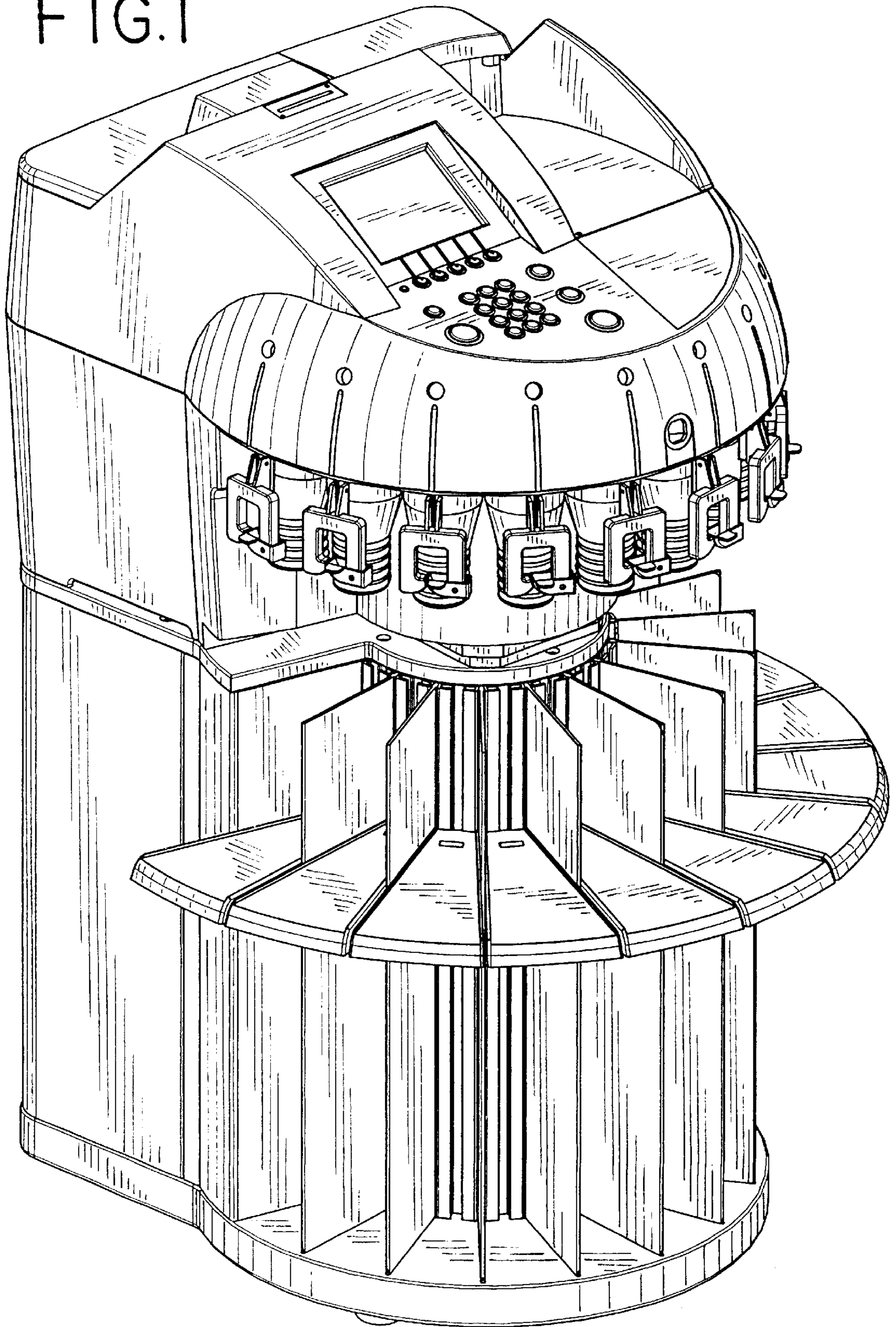
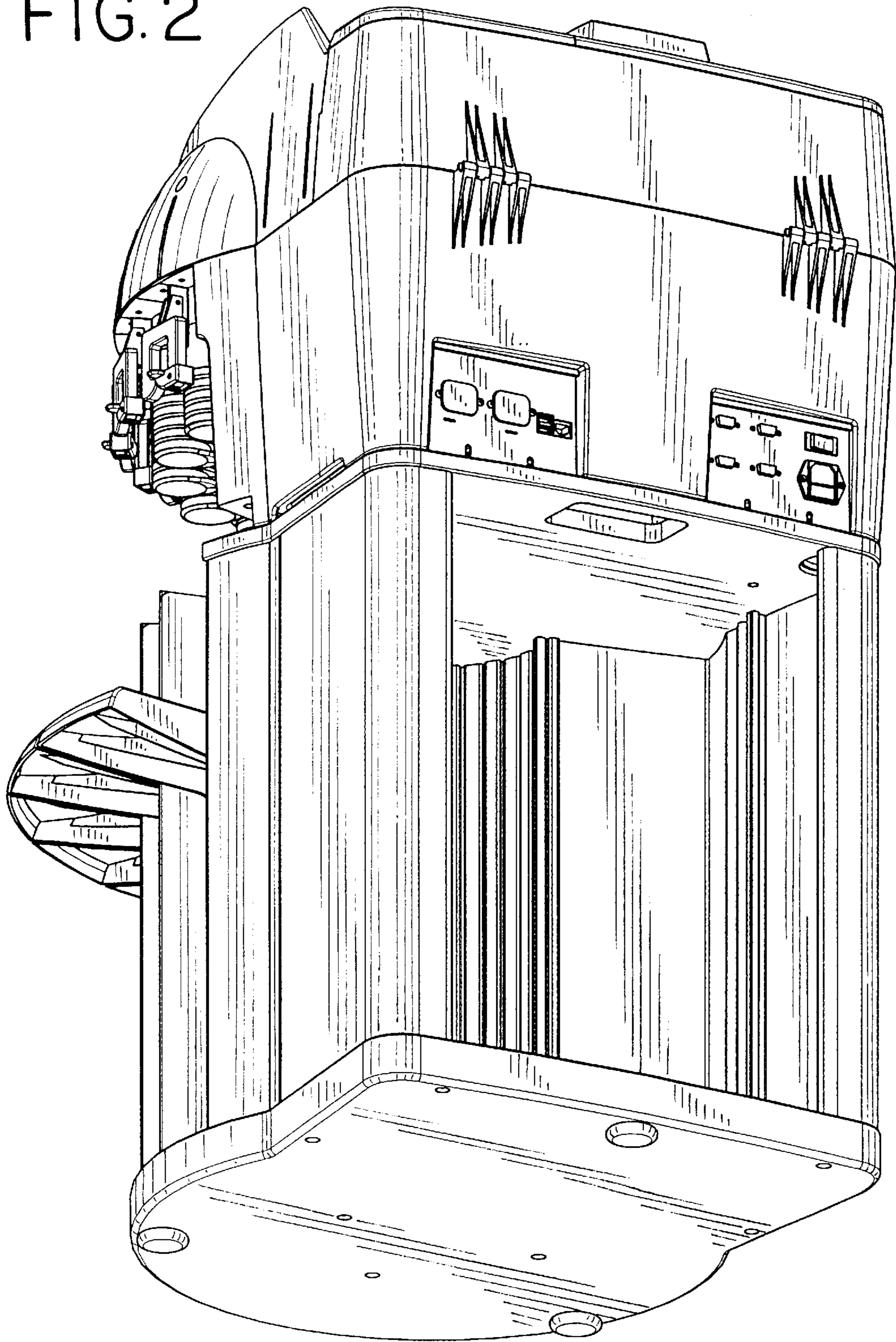


FIG. 2



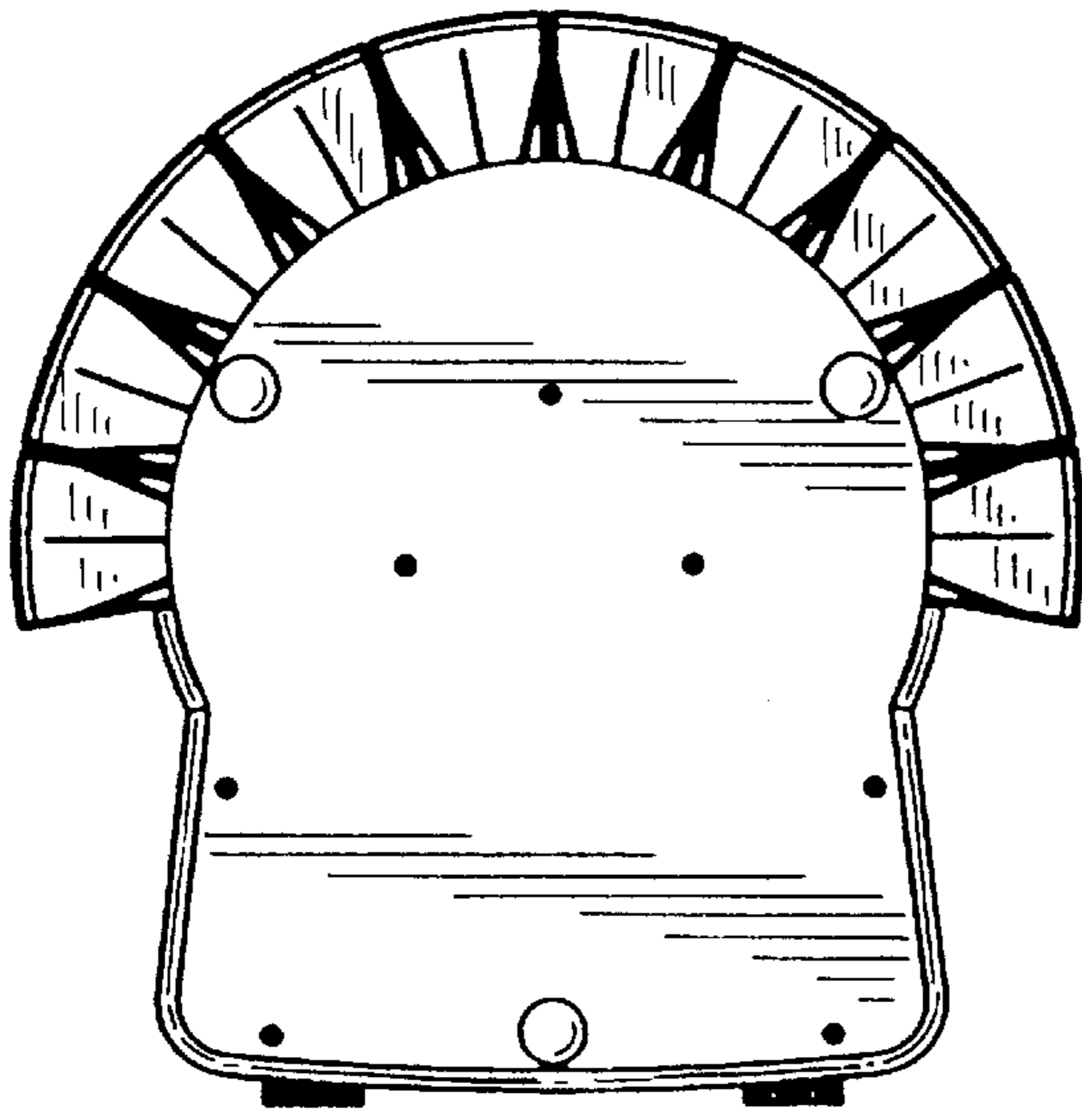


FIG. 3

FIG. 4

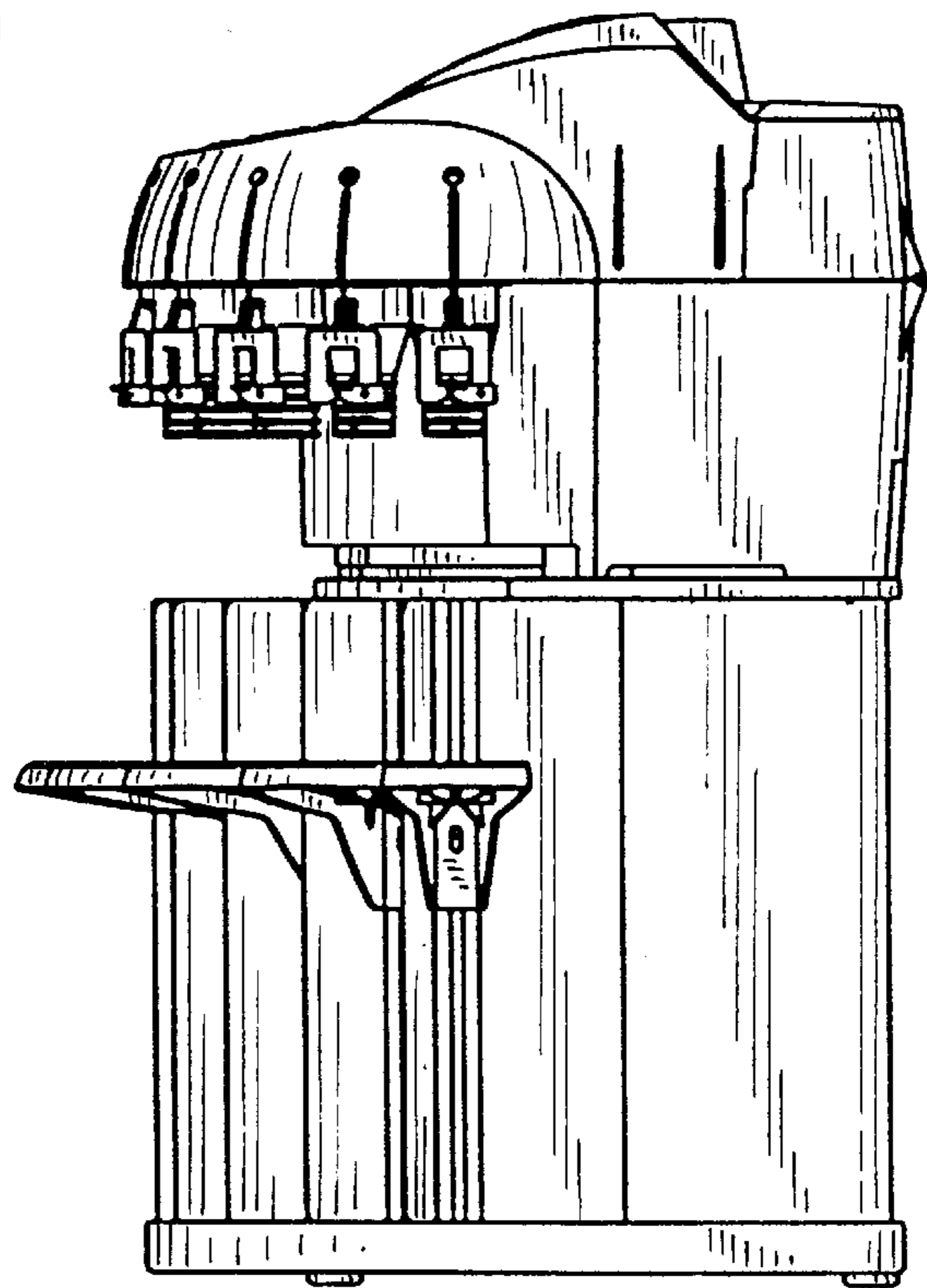


FIG. 5

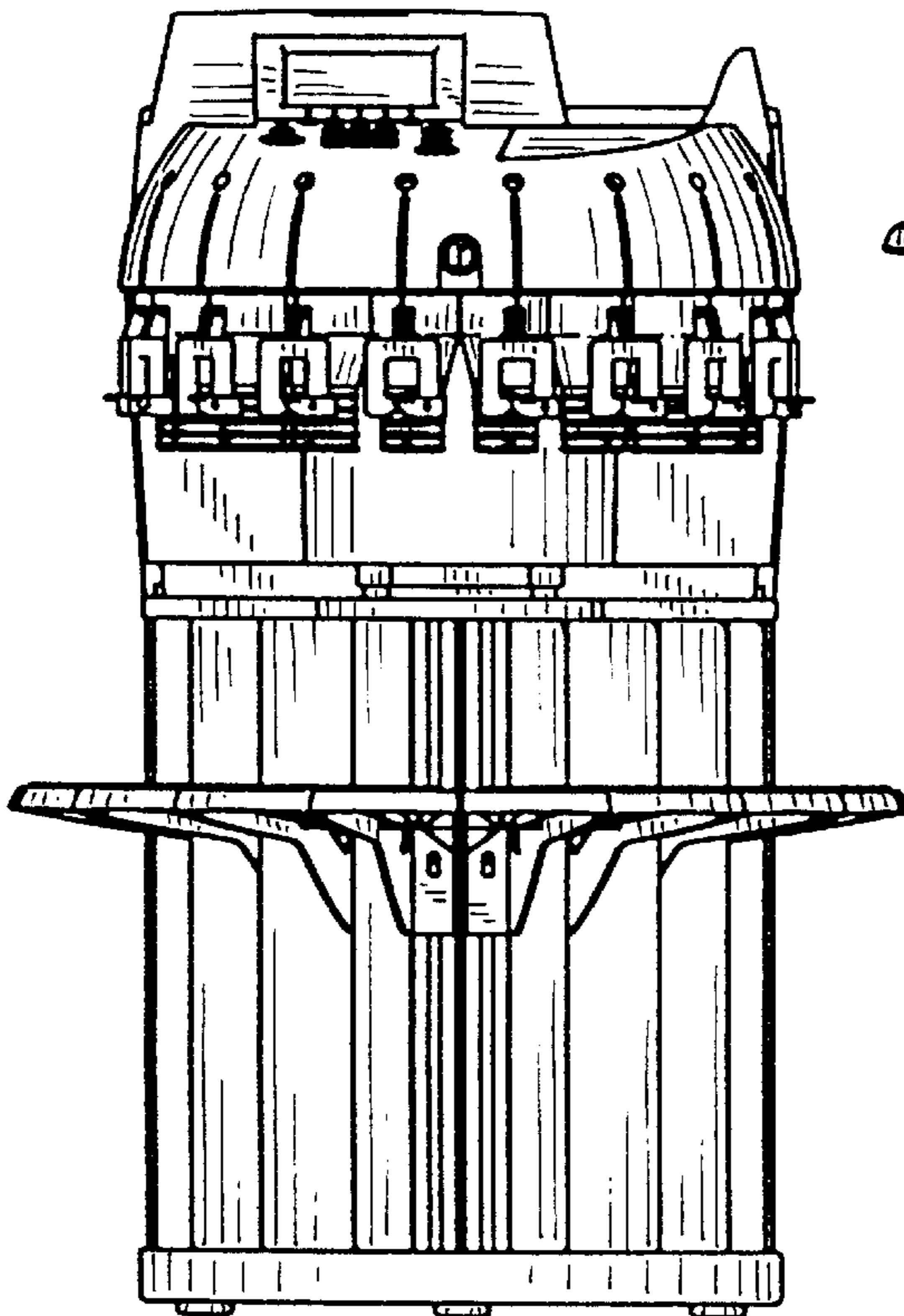


FIG. 6

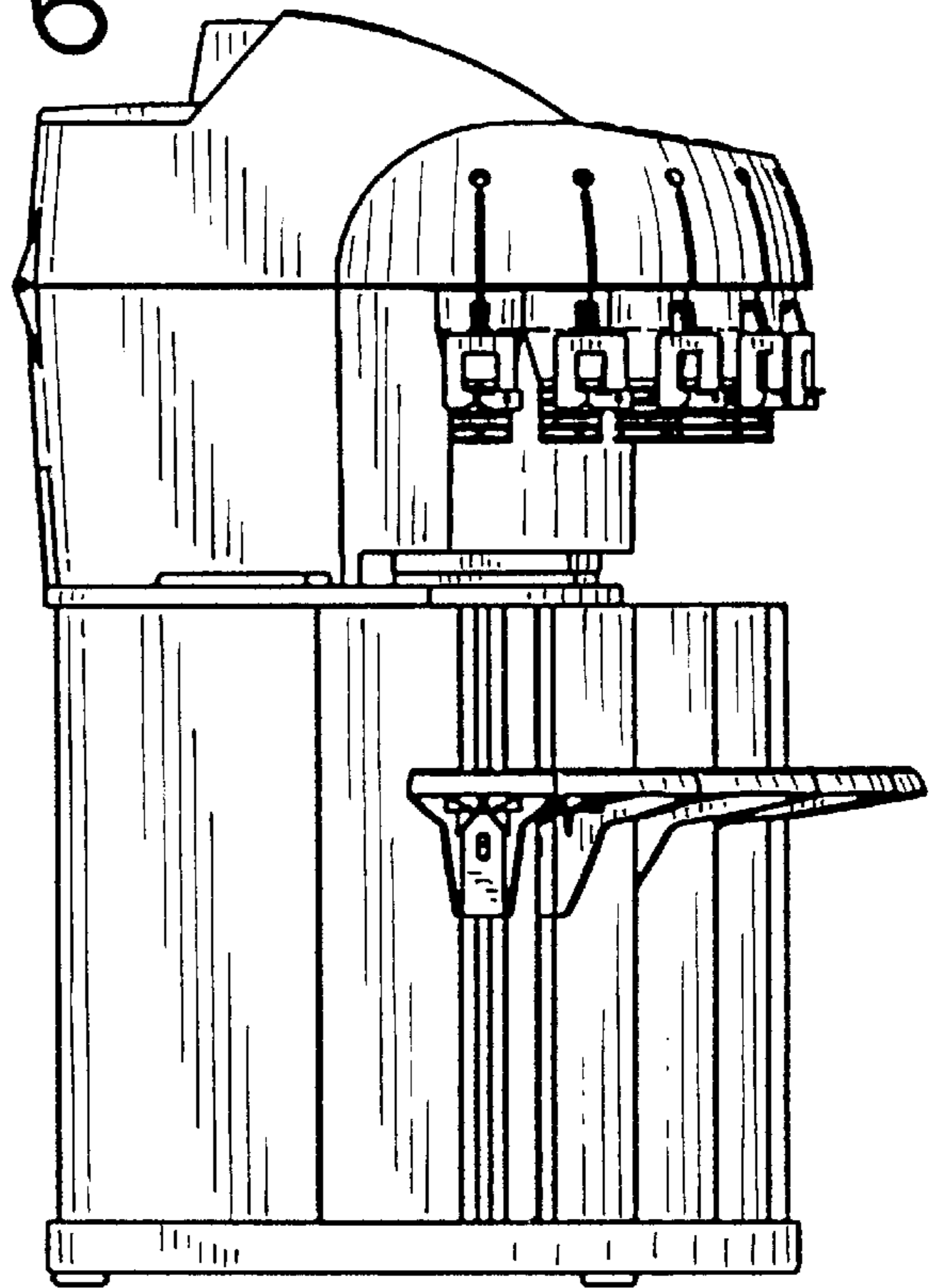


FIG. 7

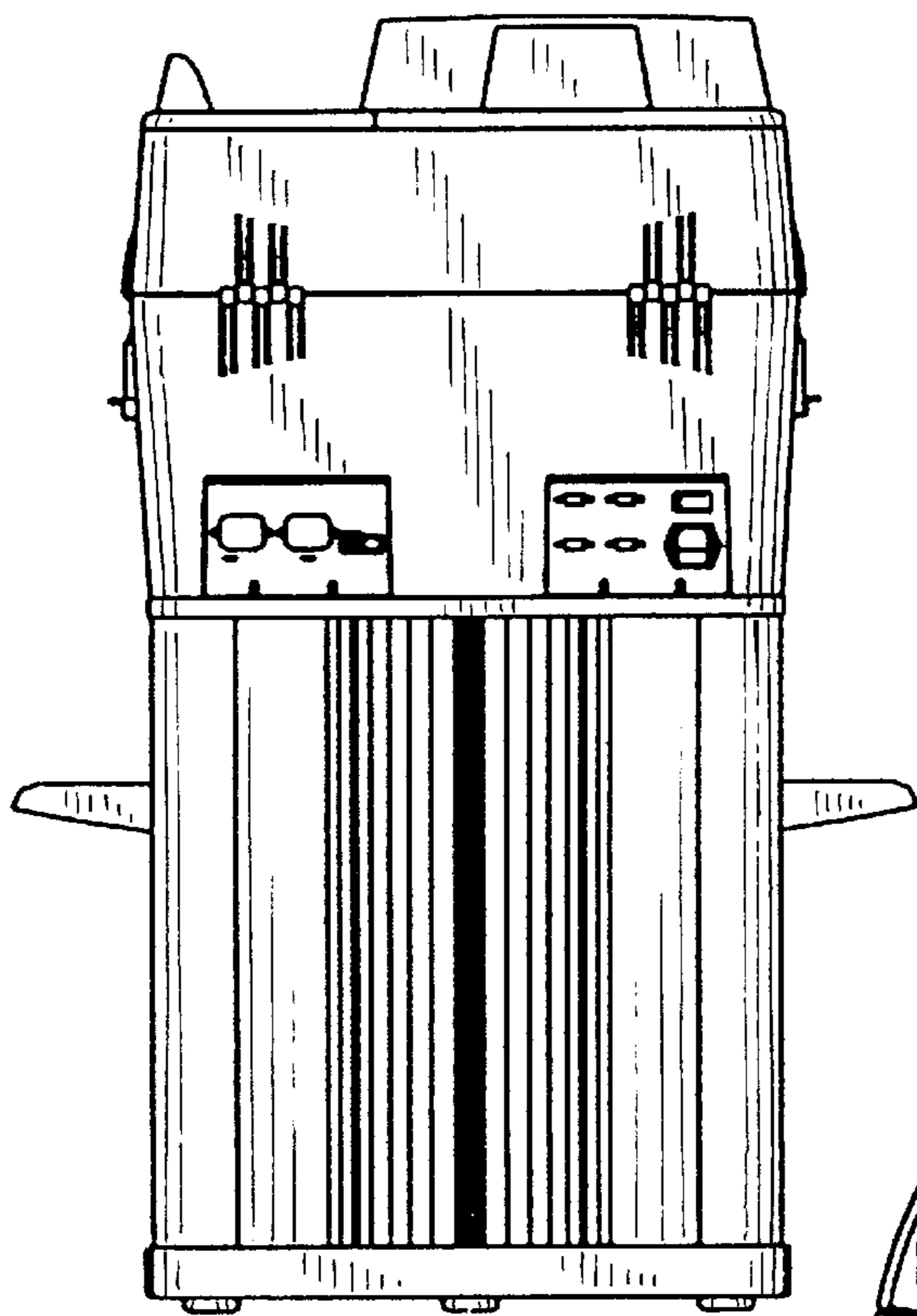


FIG. 8

