



US00D451941B1

(12) **United States Design Patent**
Takizawa

(10) **Patent No.:** **US D451,941 S**

(45) **Date of Patent:** **** Dec. 11, 2001**

(54) **IMAGE PROJECTOR**

(75) Inventor: **Sakiko Takizawa**, Tokyo (JP)

(73) Assignee: **Canon Kabushiki Kaisha**, Tokyo (JP)

(**) Term: **14 Years**

(21) Appl. No.: **29/138,189**

(22) Filed: **Mar. 9, 2001**

(30) **Foreign Application Priority Data**

Sep. 14, 2000 (JP) 12-025754

(51) **LOC (7) Cl.** **16-02**

(52) **U.S. Cl.** **D16/230; D16/225**

(58) **Field of Search** D16/200, 205,
D16/208, 221, 225, 230, 231, 234; D21/514;
355/115, 119, 122

(56) **References Cited**

U.S. PATENT DOCUMENTS

- D. 420,031 * 2/2000 Yamano D16/230
- D. 420,691 * 2/2000 Adachi D16/231
- D. 422,003 3/2000 Takizawa D16/231
- D. 422,292 4/2000 Takizawa D16/231
- D. 434,430 * 11/2000 Saeki et al. D16/231

D. 436,979 * 1/2001 Yokoyama et al. D16/231

D. 439,594 3/2001 Komatsu et al. D16/231

6,231,191 * 5/2001 Shiraishi et al. 353/119

OTHER PUBLICATIONS

Elmo Brochure, Oct. 1998 (model EDP-3000).*

* cited by examiner

Primary Examiner—Adir Aronovich

(74) *Attorney, Agent, or Firm*—Fitzpatrick, Cella, Harper & Scinto

(57) **CLAIM**

The ornamental design for an image projector, as shown and described.

DESCRIPTION

FIG. 1 is a front view of an image projector showing my new design;

FIG. 2 is a rear view thereof;

FIG. 3 is a top plan view thereof;

FIG. 4 is a bottom plan view thereof;

FIG. 5 is a left side view thereof;

FIG. 6 is a right side view thereof; and,

FIG. 7 is a perspective view thereof.

1 Claim, 5 Drawing Sheets

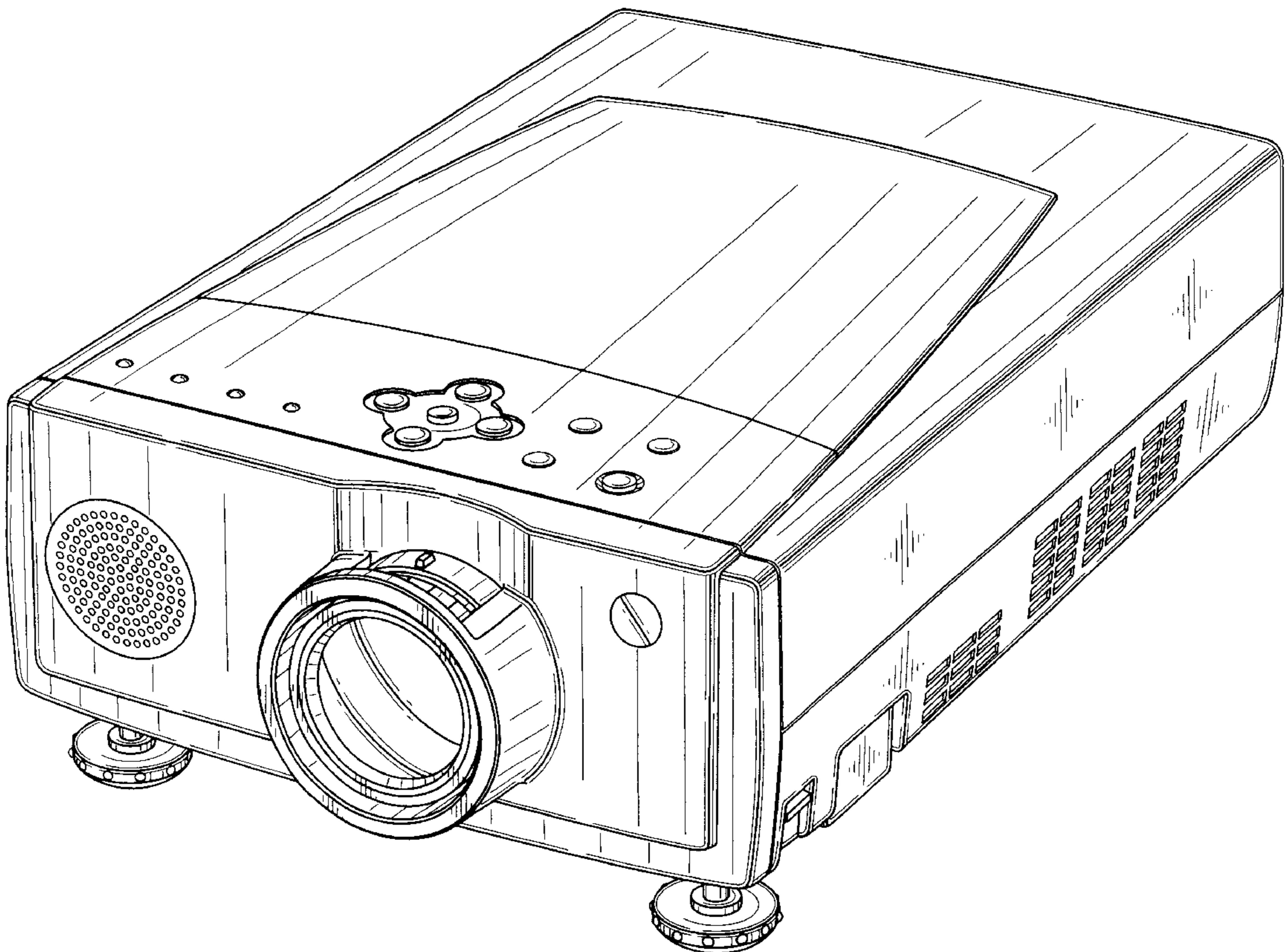


FIG. 1

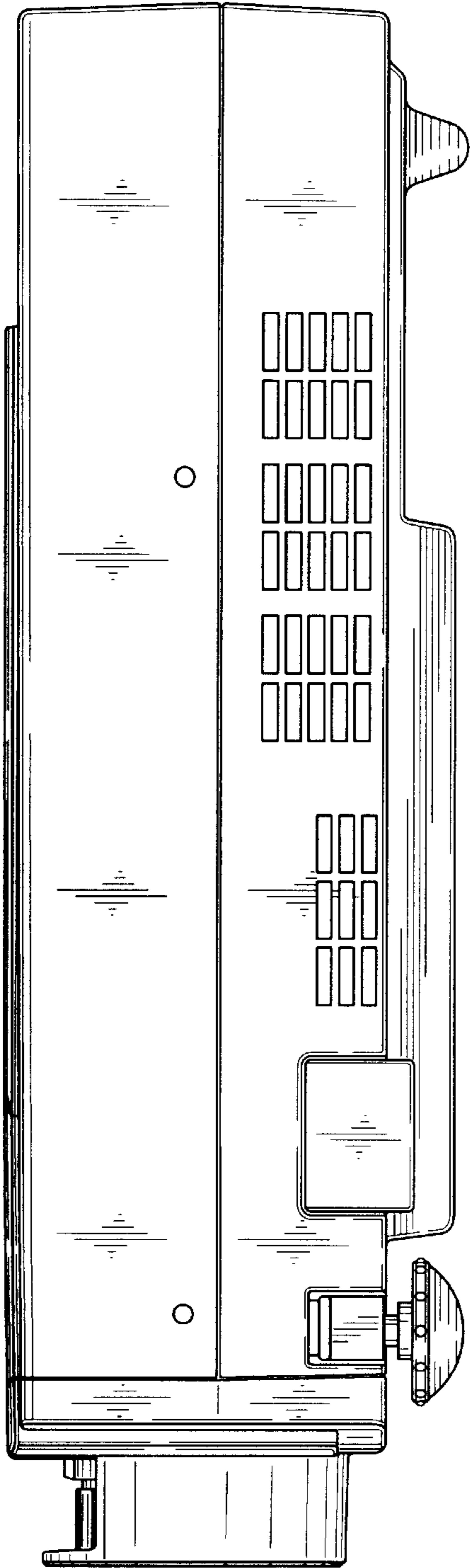


FIG. 2

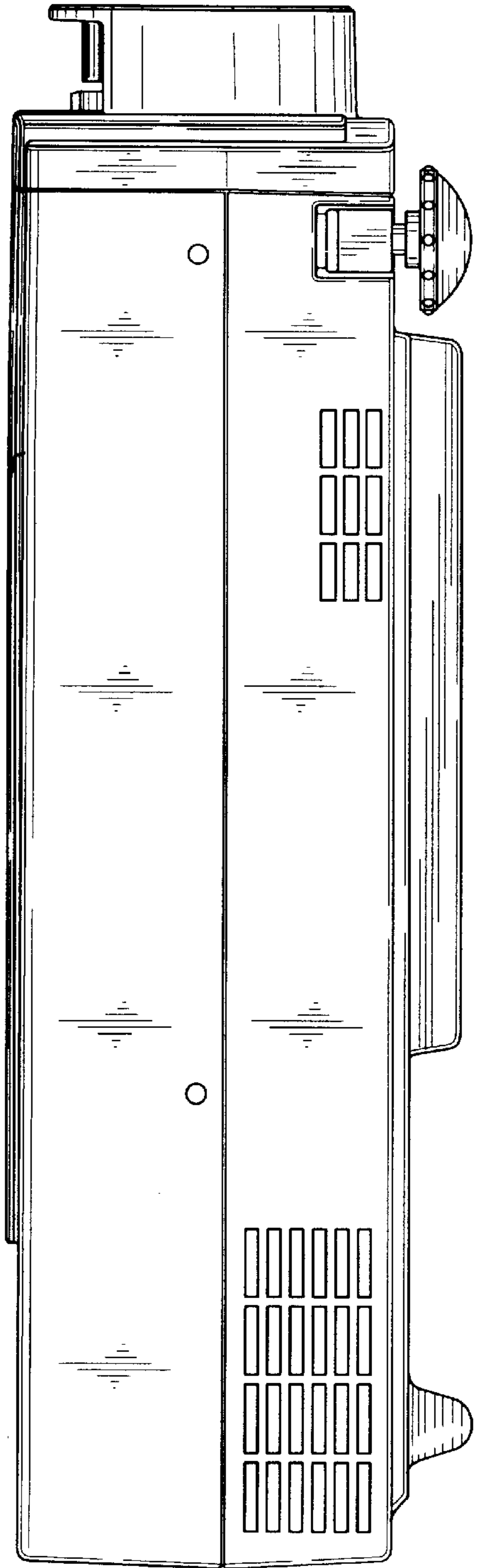


FIG. 3

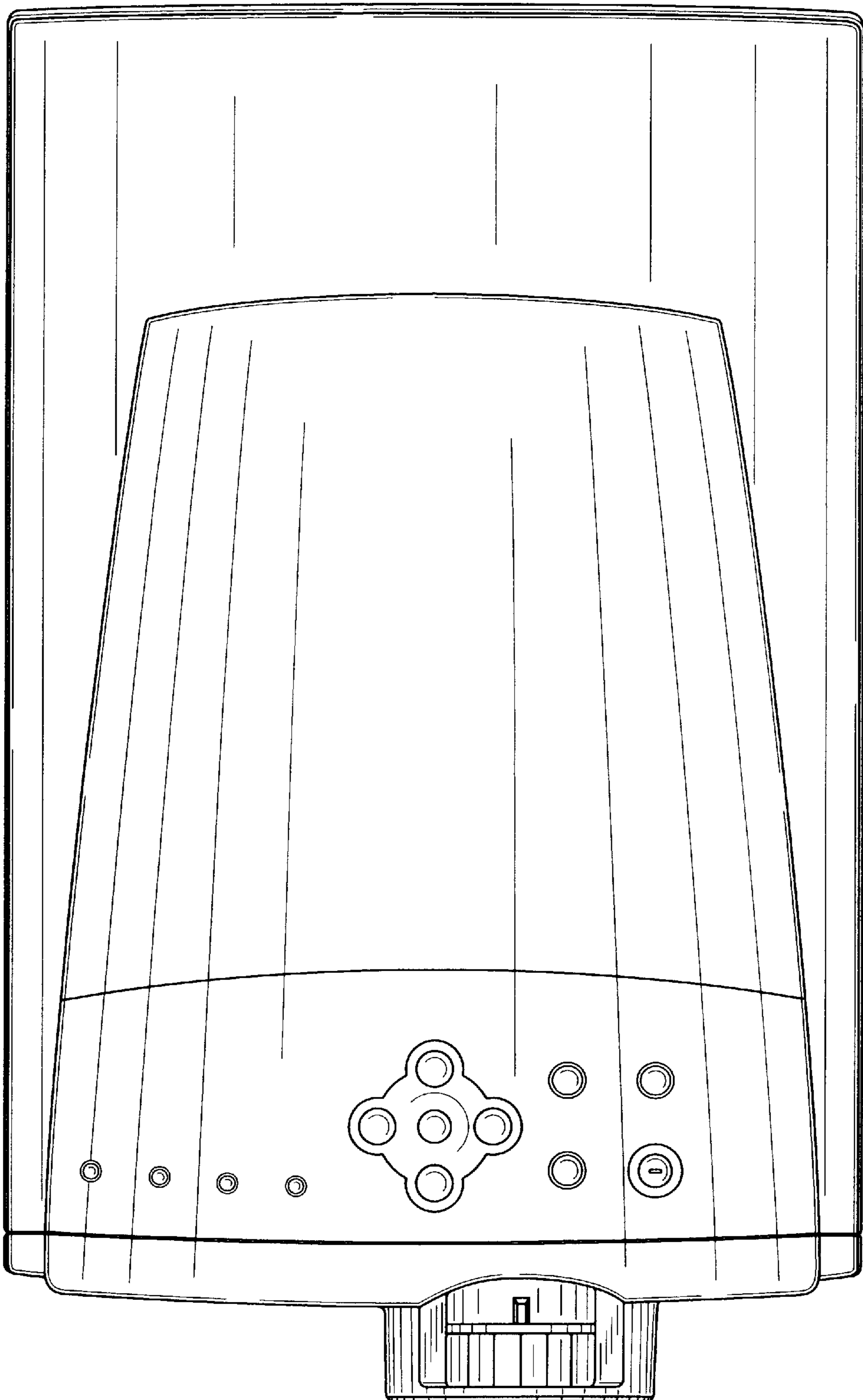


FIG. 4

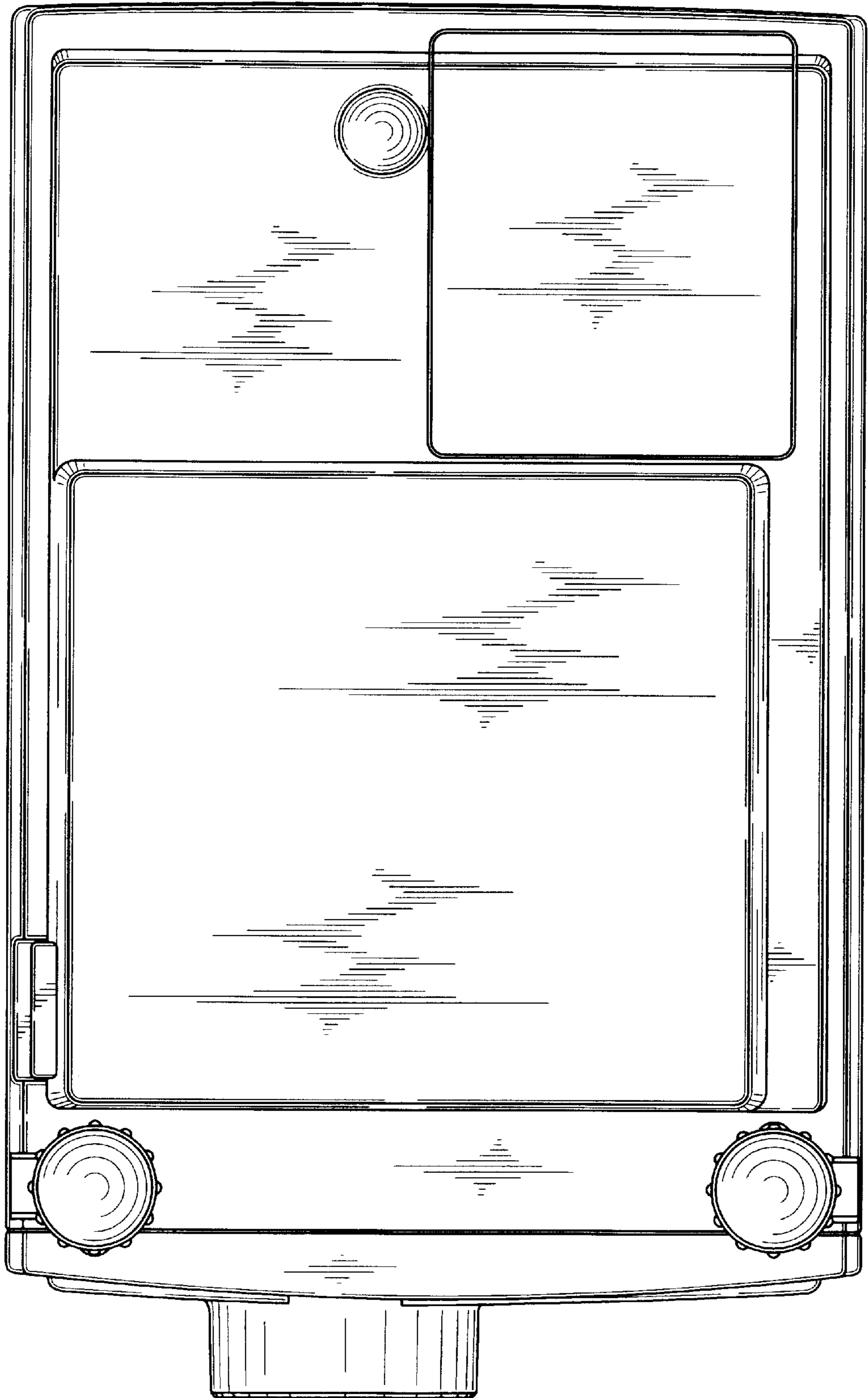


FIG. 5

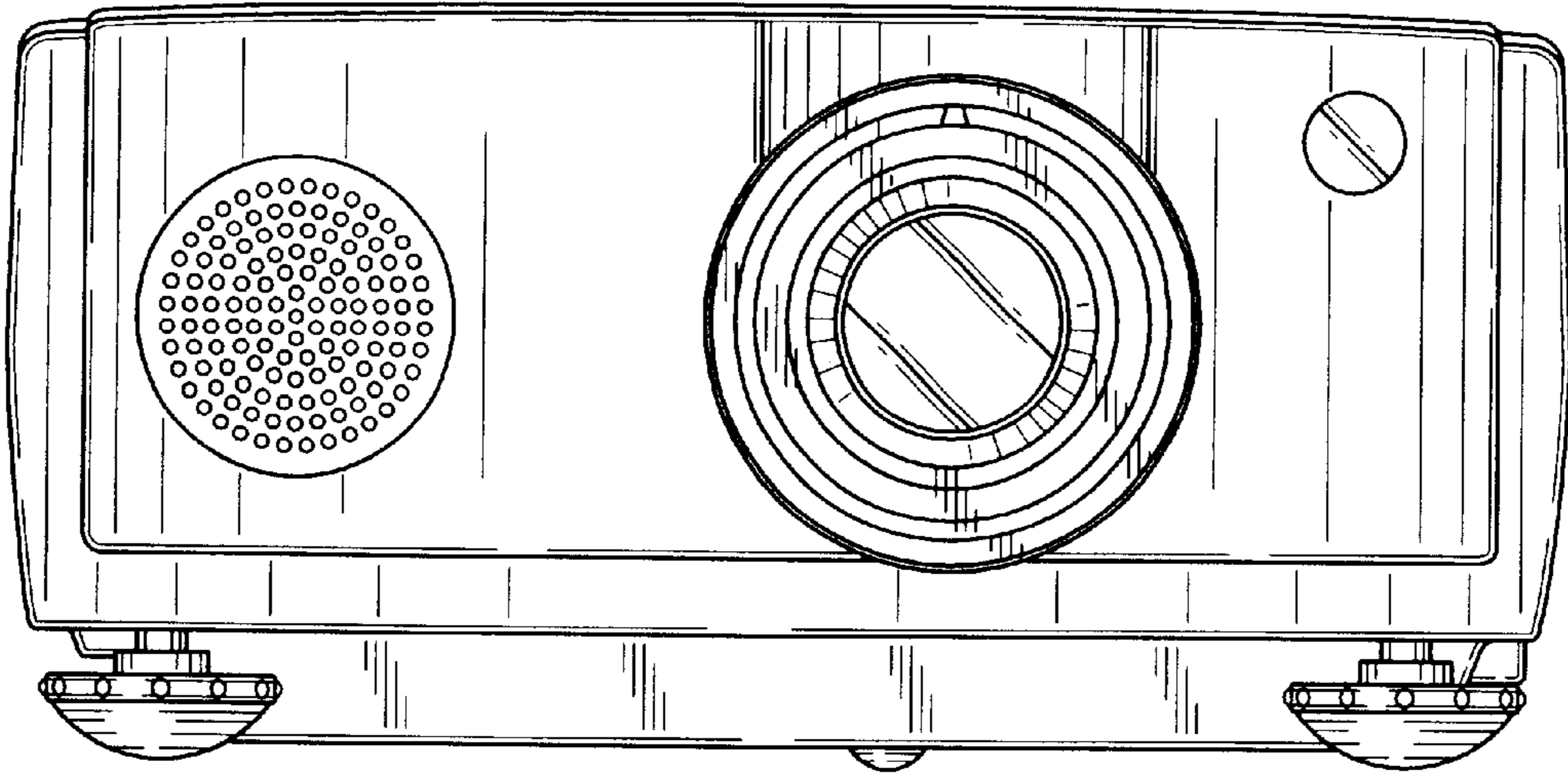
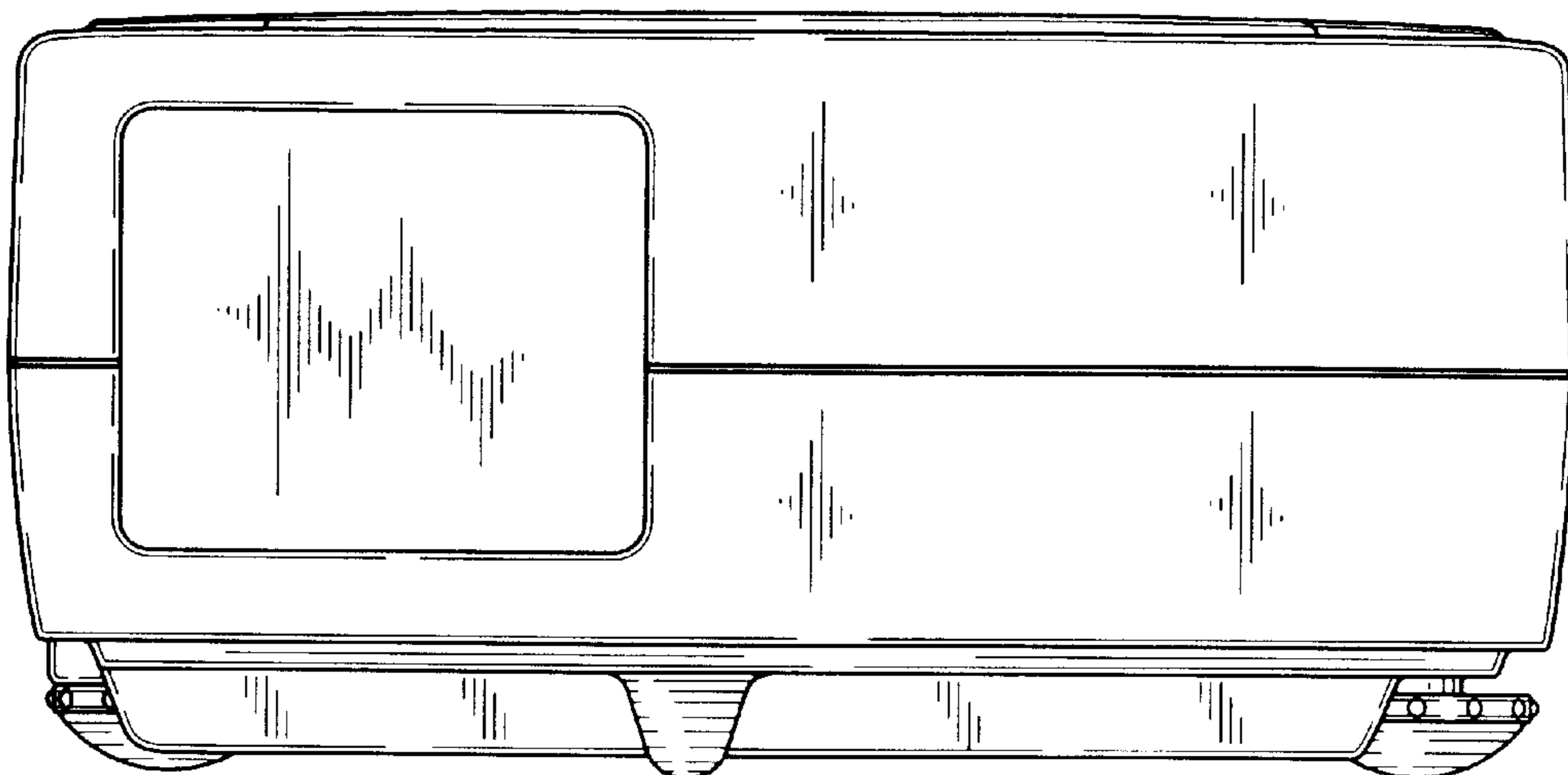


FIG. 6



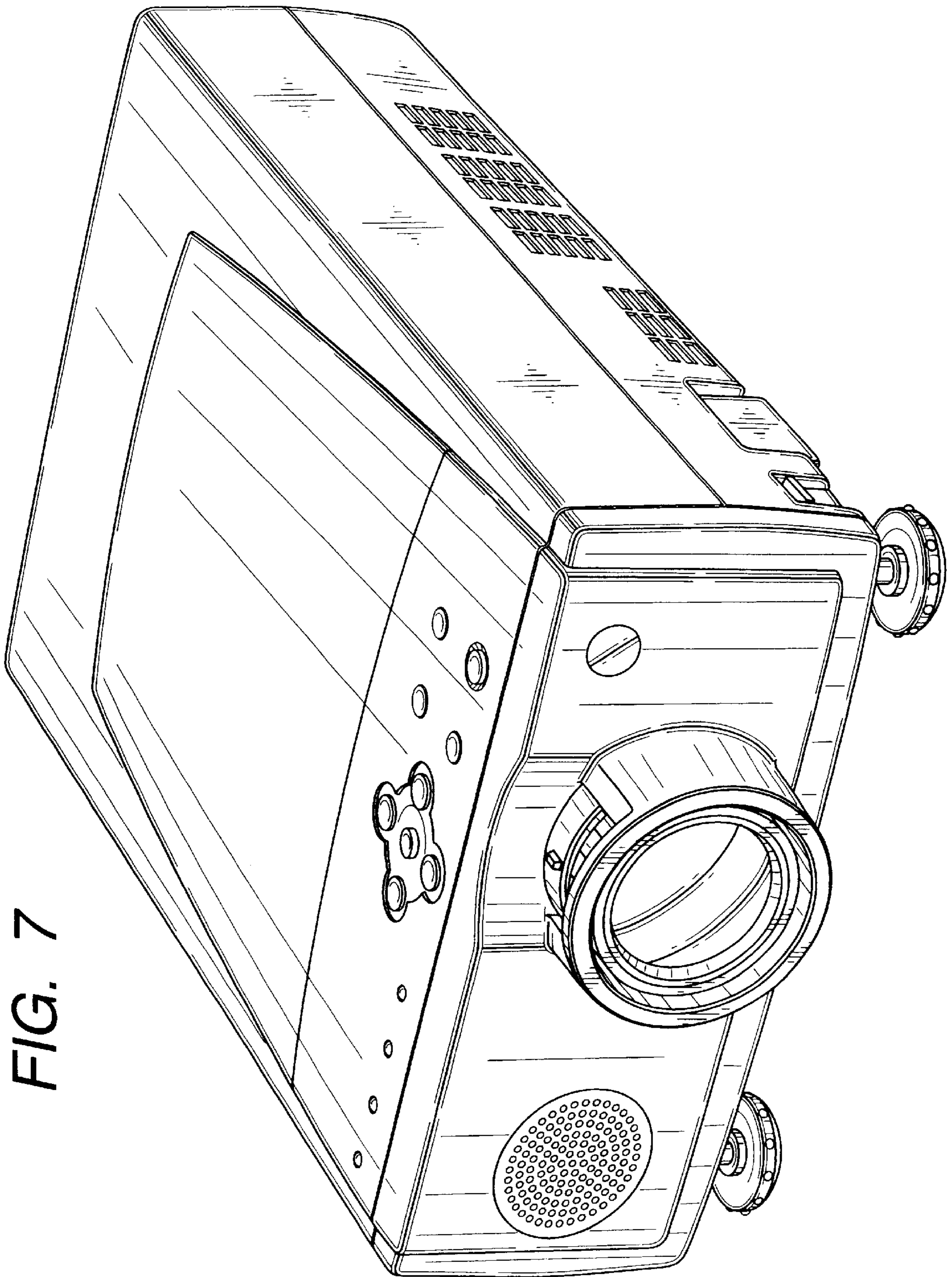


FIG. 7