



US00D451939B1

(12) **United States Design Patent**
Roh

(10) **Patent No.:** **US D451,939 S**

(45) **Date of Patent:** **** Dec. 11, 2001**

(54) **CAMERA FOR A PERSONAL COMPUTER**

(75) Inventor: **Seung Wan Roh**, Suwon-si (KR)
(73) Assignee: **Samsung Electro-Mechanics Co., Ltd.**,
Kyungki-do (KR)
(**) Term: **14 Years**

(21) Appl. No.: **29/129,177**
(22) Filed: **Sep. 11, 2000**

(30) **Foreign Application Priority Data**
Mar. 11, 2000 (KR) 00-6149
(51) **LOC (7) Cl.** **16-01**
(52) **U.S. Cl.** **D16/202**
(58) **Field of Search** D16/200-205,
D16/242; 348/14-20, 373-376; 248/229.16,
229.26, 316.7; 396/419, 428

(56) **References Cited**

U.S. PATENT DOCUMENTS

- D. 375,319 * 11/1996 Johnson et al. D16/202
- D. 399,860 * 10/1998 Huang D16/202
- D. 403,338 * 12/1998 Dunn D16/202
- D. 411,220 * 6/1999 Surabian D16/242
- D. 433,432 * 11/2000 Prather et al. D16/202
- 5,103,384 * 4/1992 Drohan 362/191

FOREIGN PATENT DOCUMENTS

- 96-261 * 9/1996 (KR)
- 0222413 * 6/1998 (KR)

OTHER PUBLICATIONS

Flex Cam Brochure, published prior Jul. 1995 (flexible digital camera for use with a personal computer).
Harris Corporation Catalog, cover page, 1990.*

* cited by examiner

Primary Examiner—Adir Aronovich
(74) *Attorney, Agent, or Firm*—Lowe Hauptman Gilman & Berner, LLP

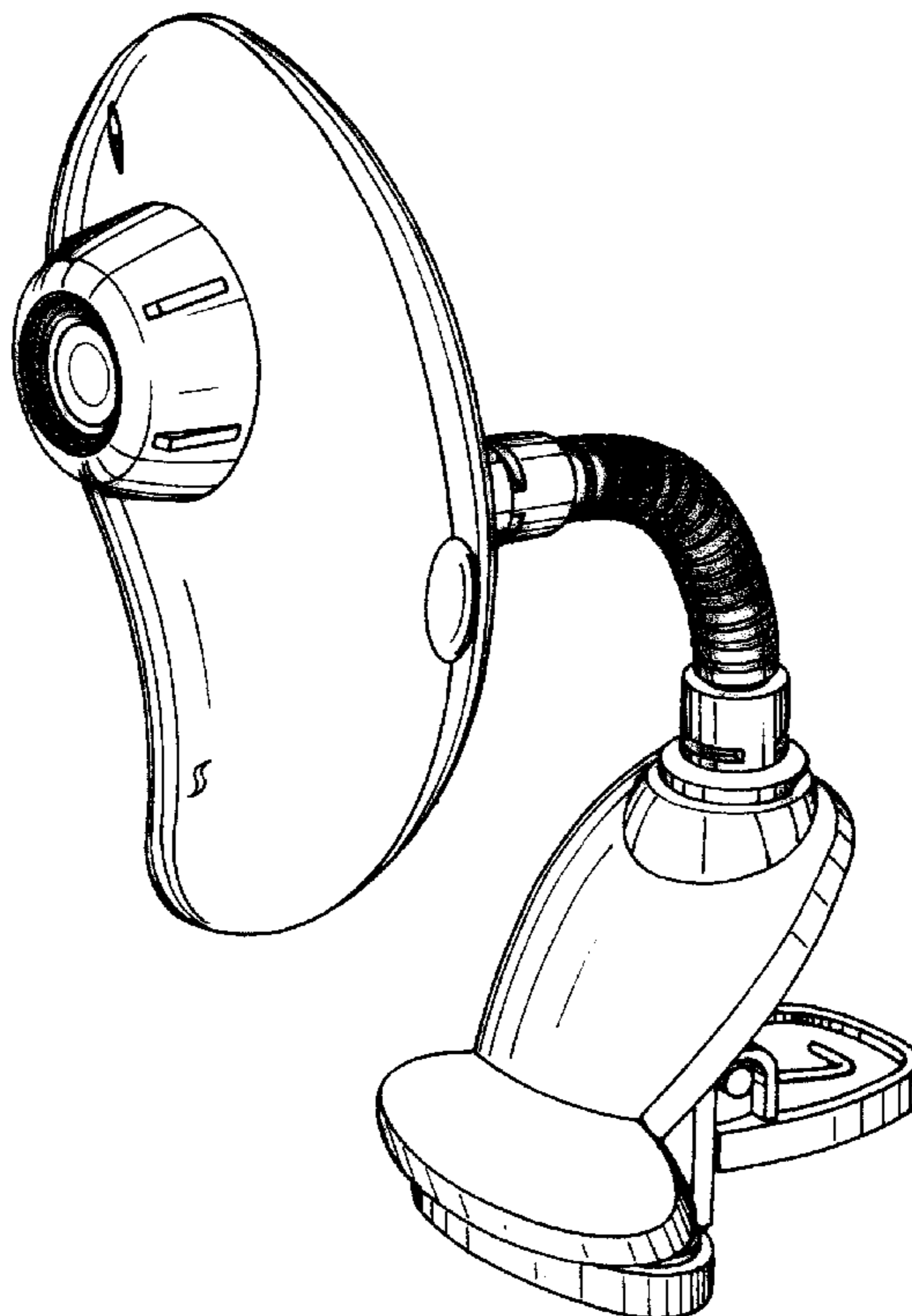
(57) **CLAIM**

The ornamental design for a camera for a personal computer, as shown and described.

DESCRIPTION

FIG. 1 is a perspective view of the camera for personal computer;
FIG. 2 is a front elevational view thereof;
FIG. 3 is a rear elevational view thereof;
FIG. 4 is a left side elevational view thereof;
FIG. 5 is a right side elevational view thereof;
FIG. 6 is a top plan view thereof;
FIG. 7 is a bottom plan view thereof;
FIG. 8 is a reduced perspective view of the camera for a personal computer, the broken lines of the fragmentary keyboard, monitor and cord are shown to illustrate environment only and form no part of the claimed design; and,
FIG. 9 is a reduced perspective view of the camera for personal computer being attached to a fragmentary monitor shown in broken lines to illustrate environment only and forms no part of the claimed design.

1 Claim, 7 Drawing Sheets



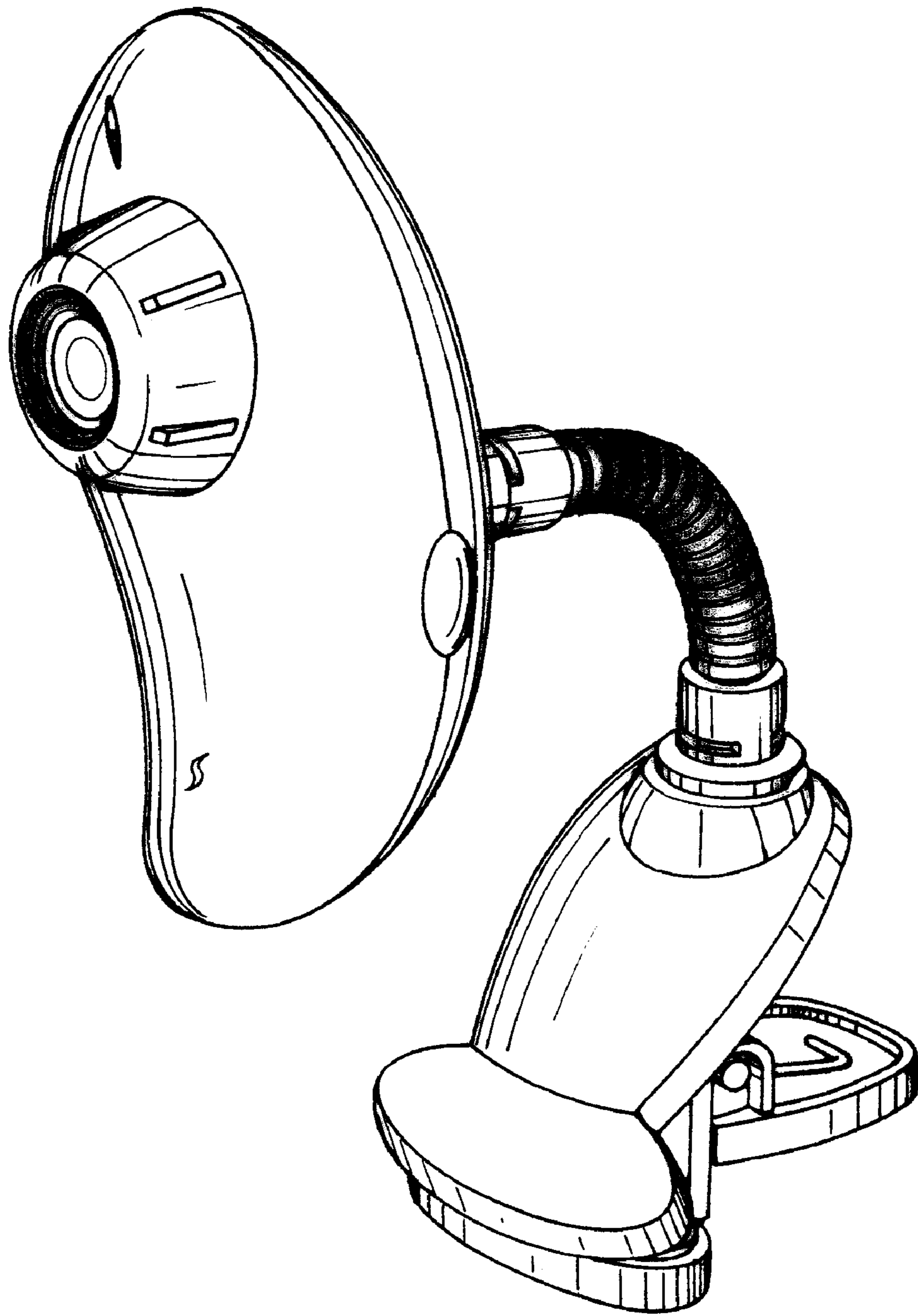


FIG. 1

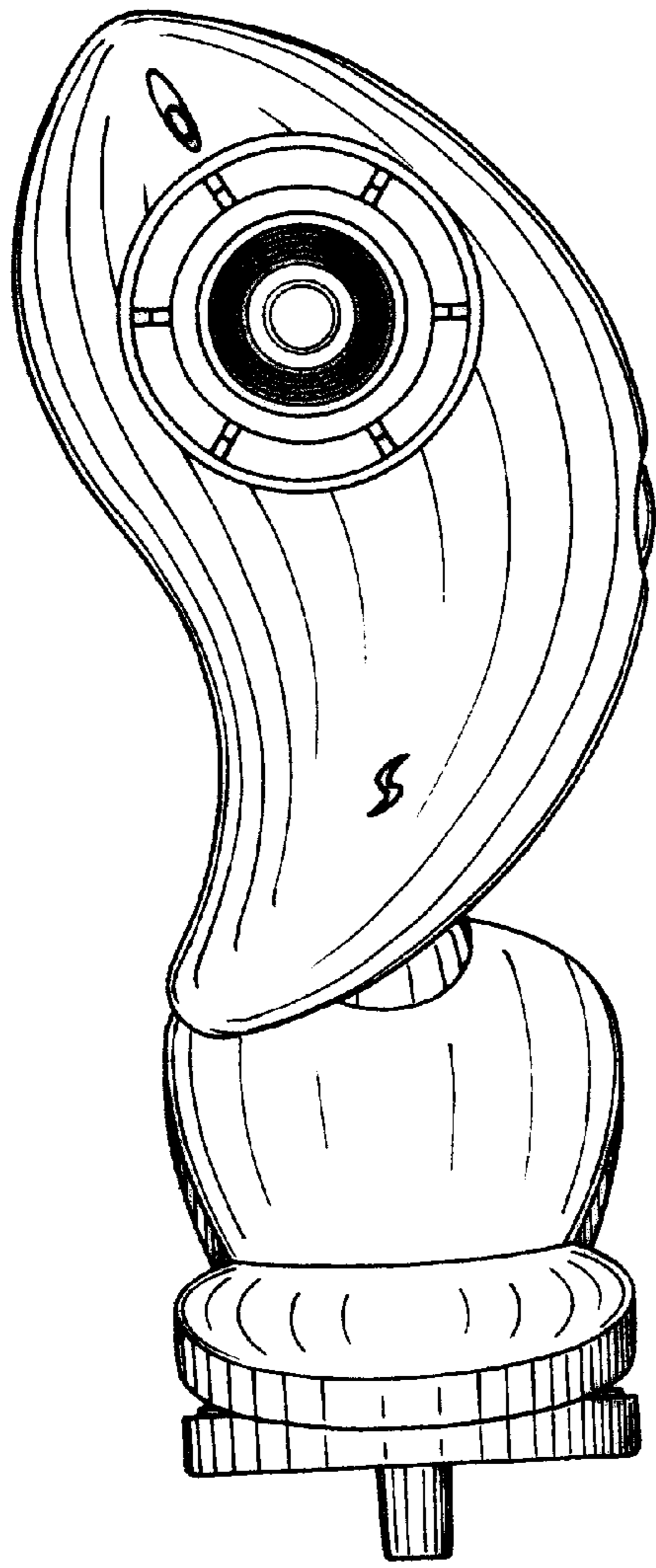


FIG. 2

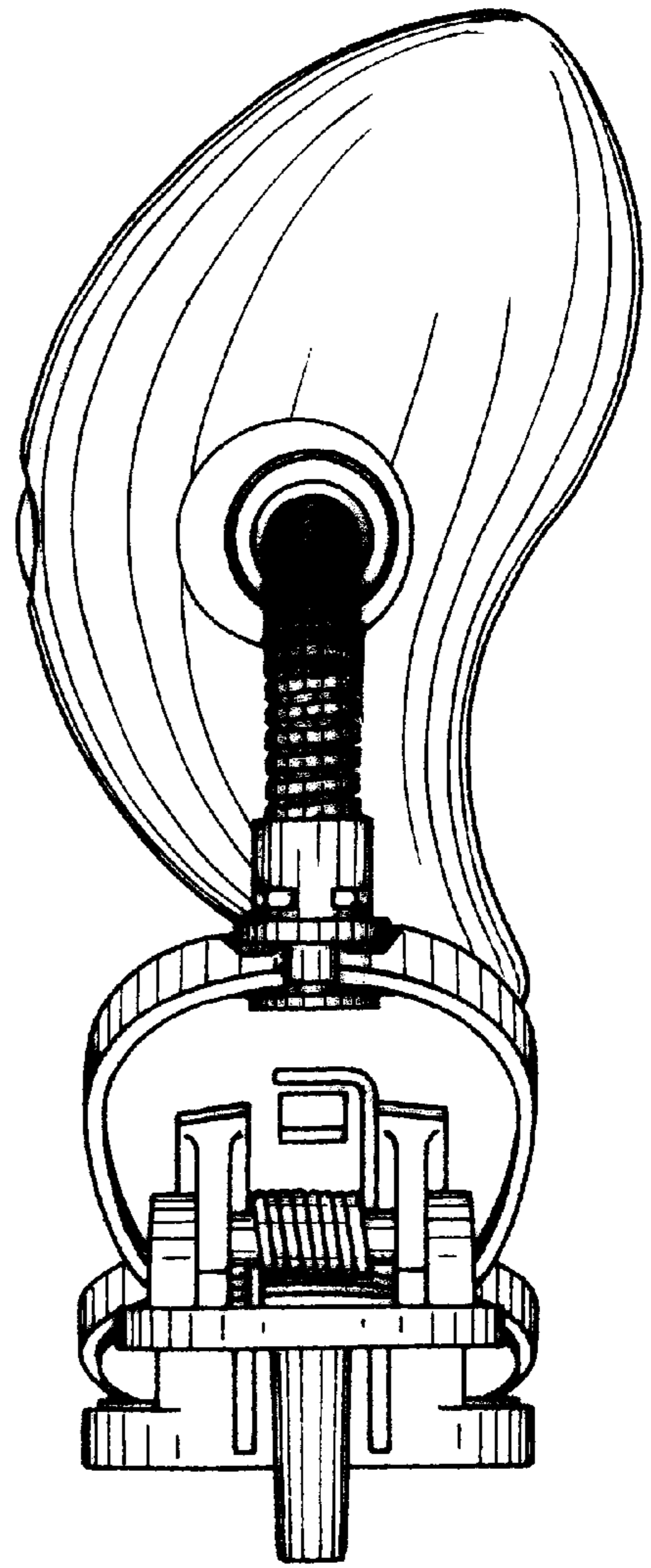


FIG. 3

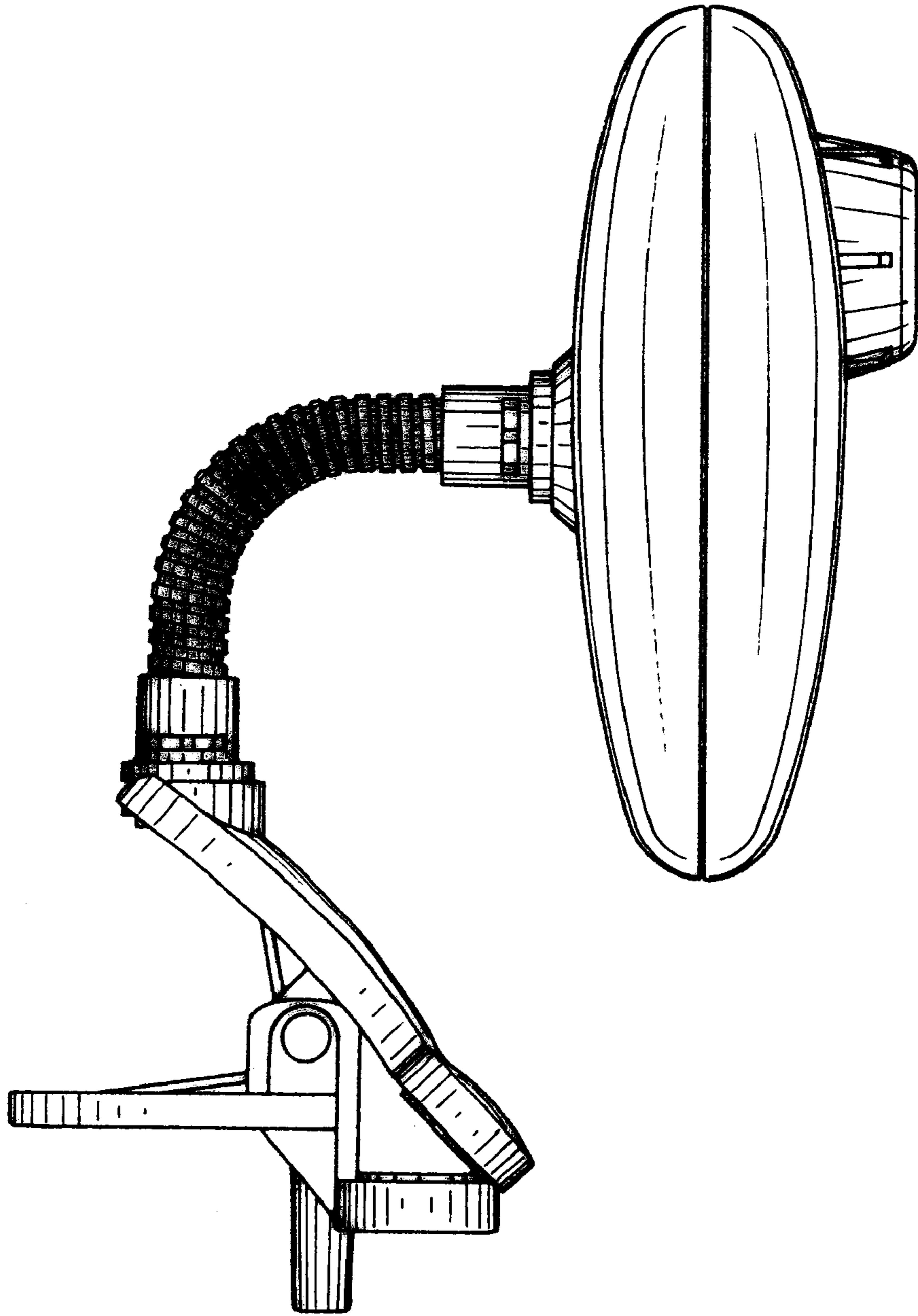


FIG. 4

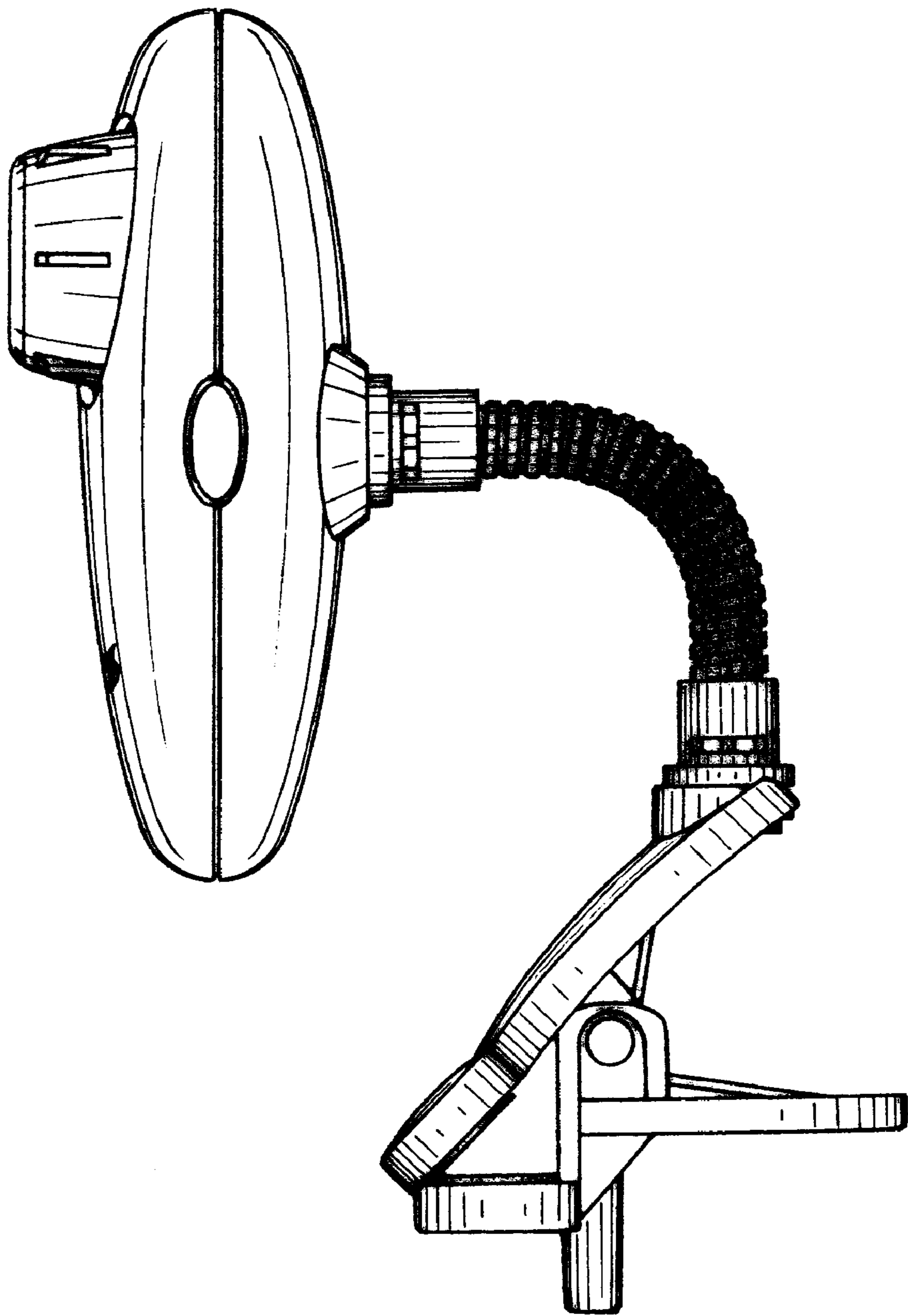


FIG. 5

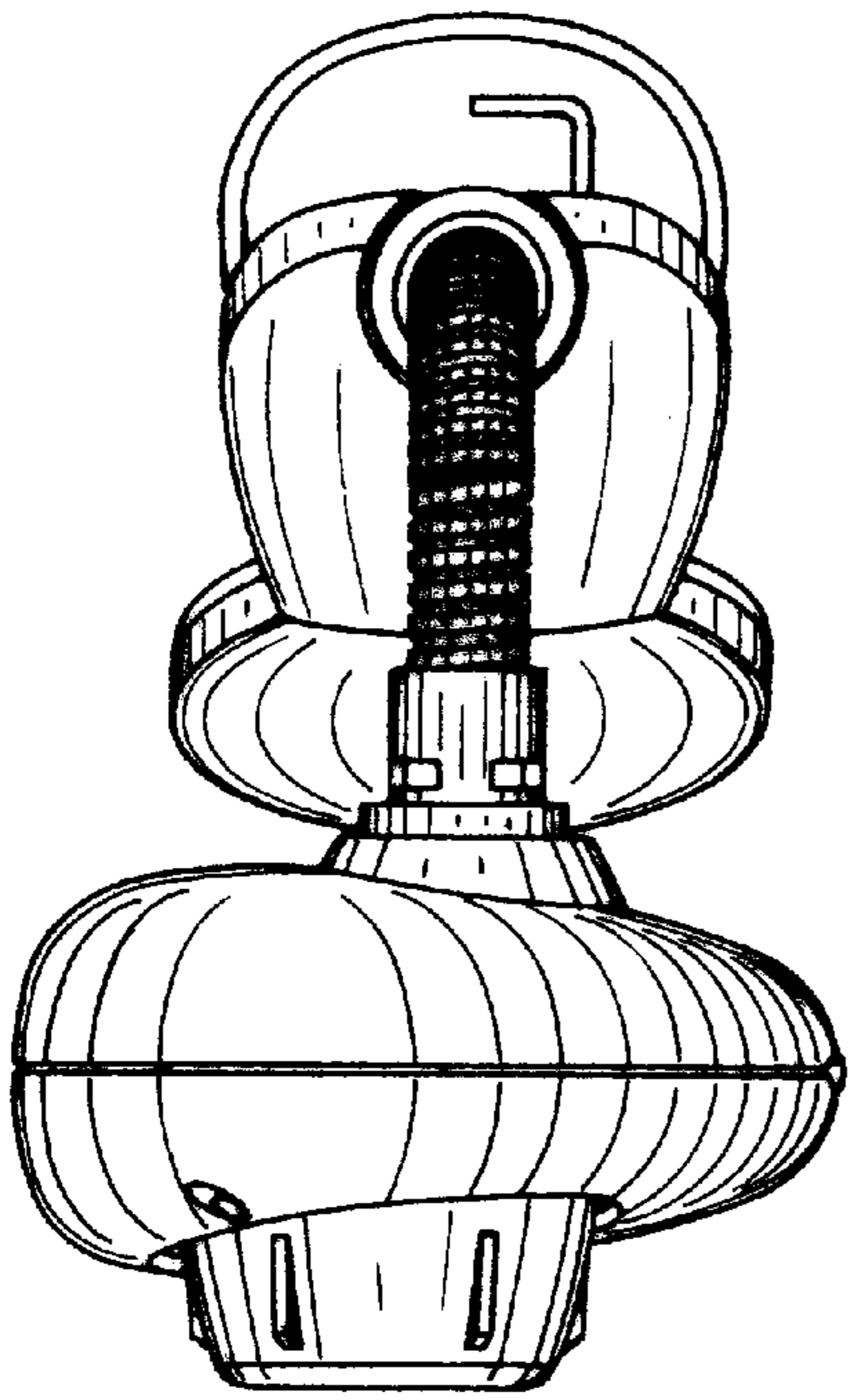


FIG. 6

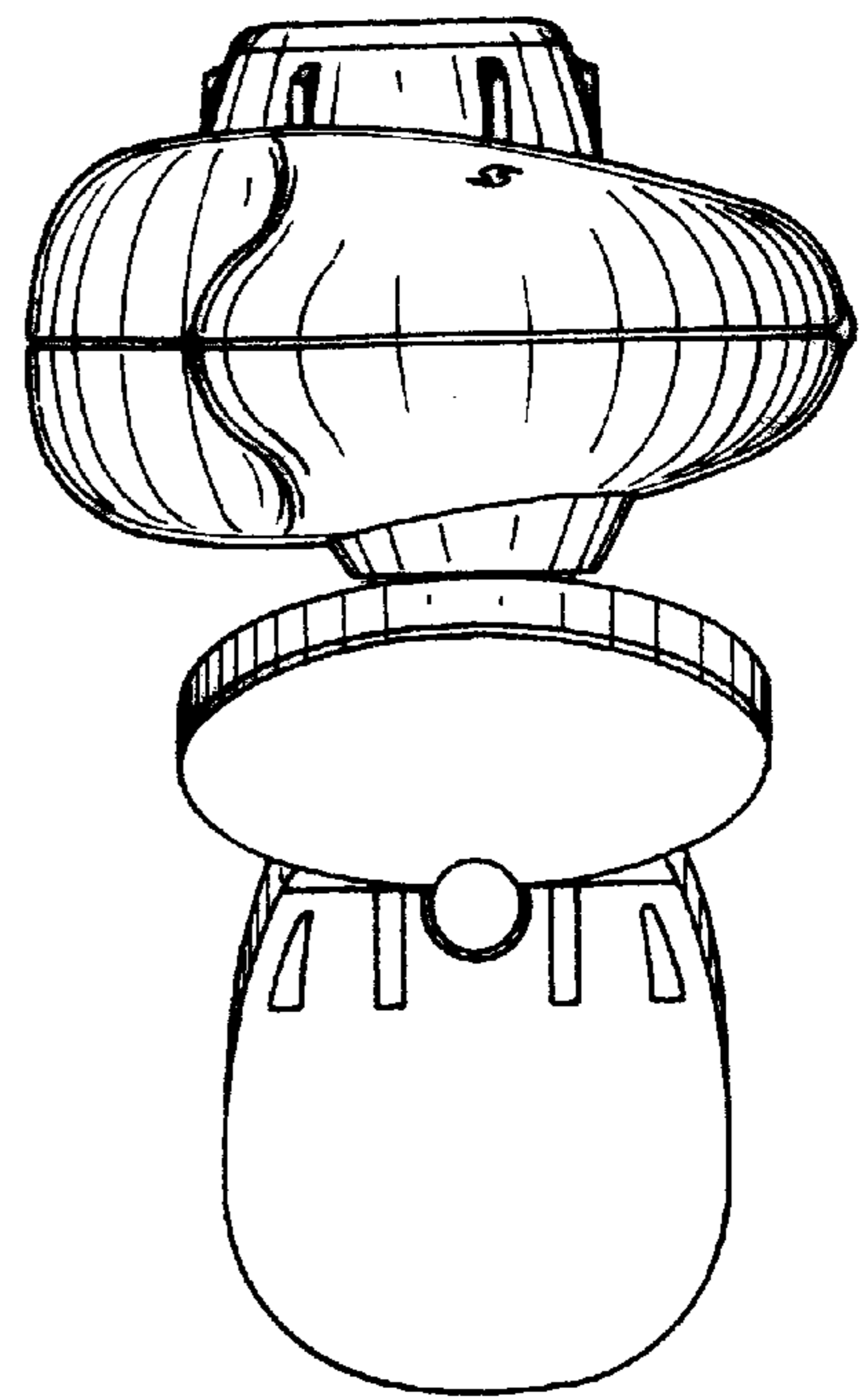


FIG. 7

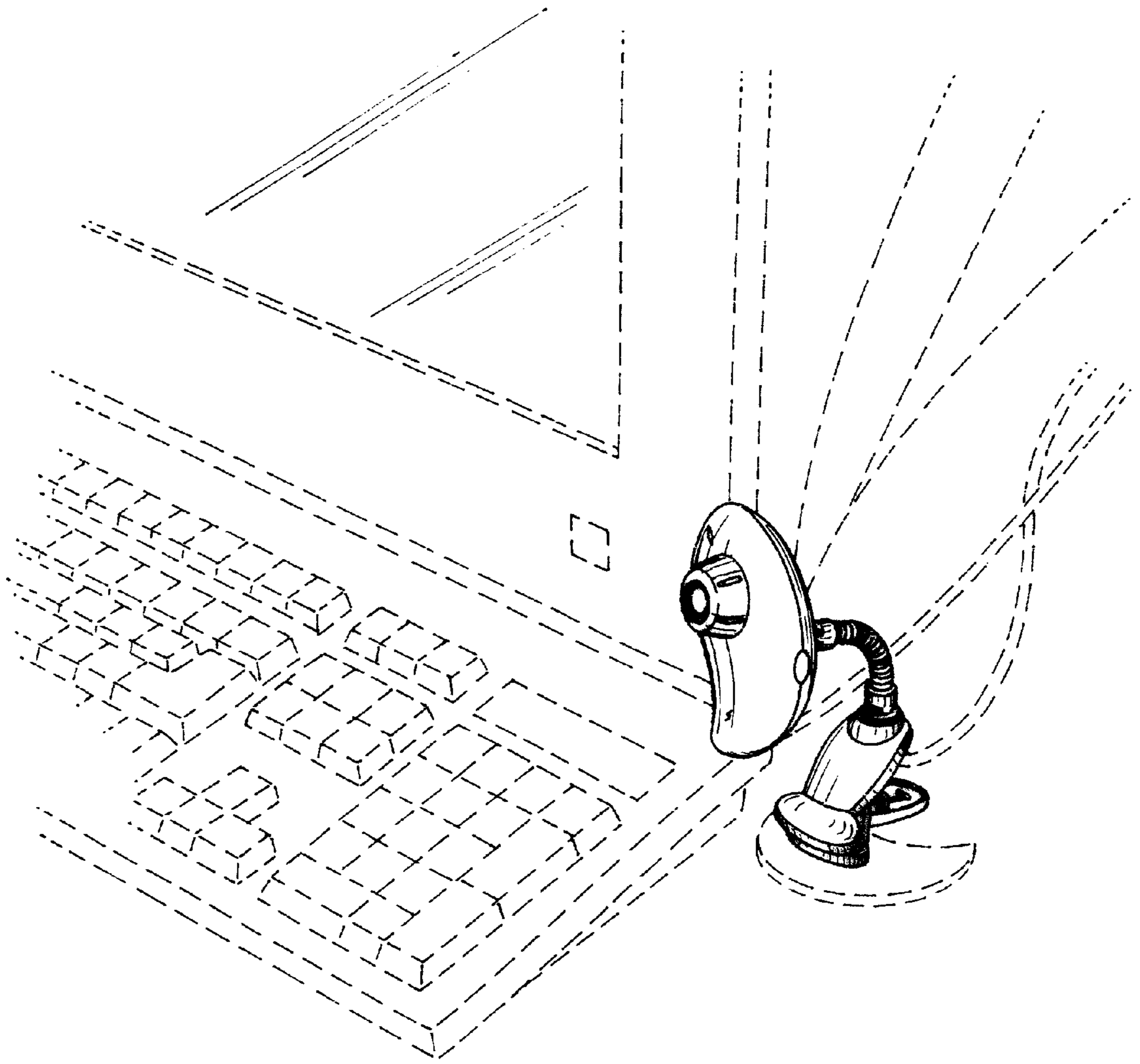


FIG. 8

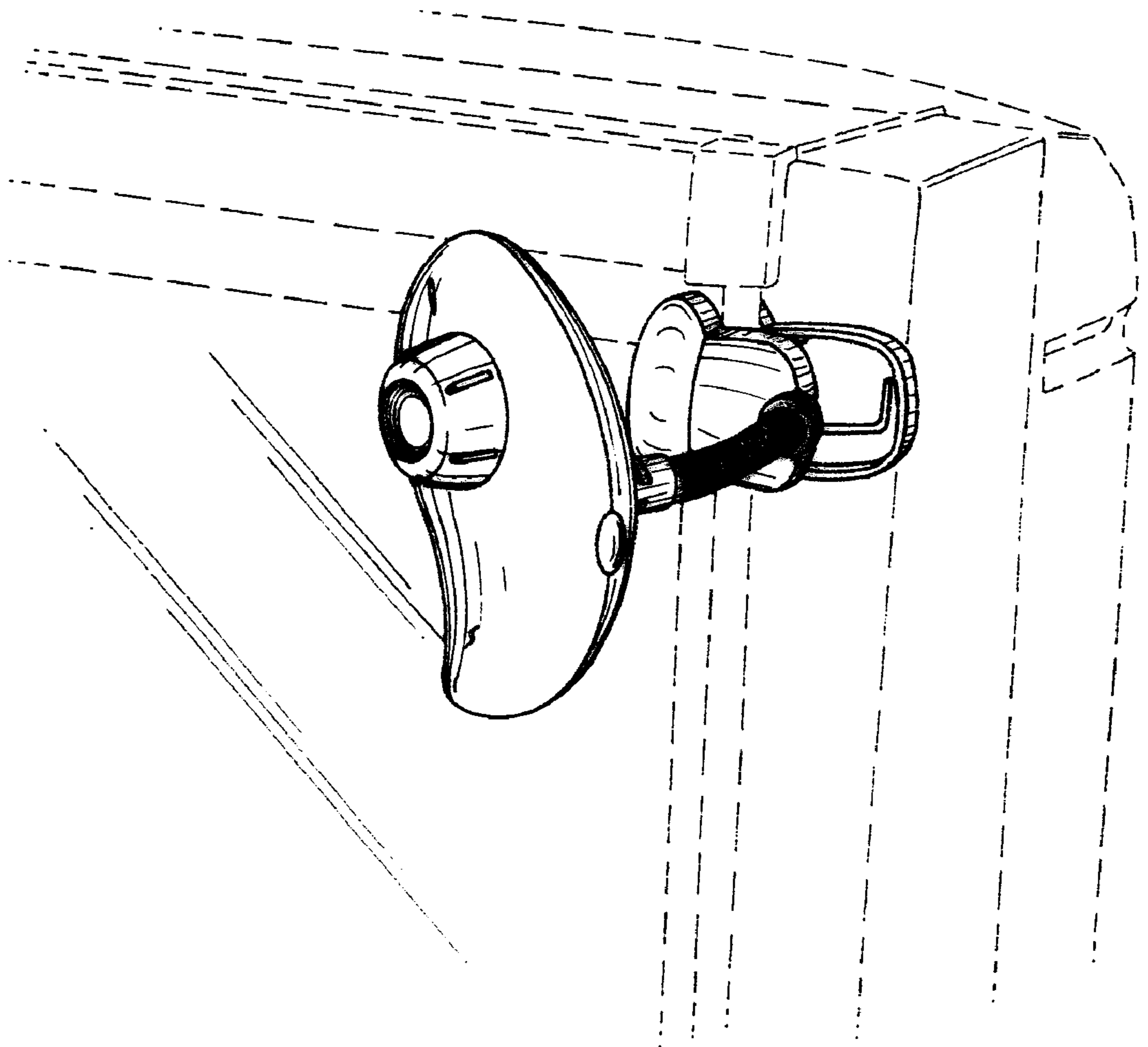


FIG. 9