



US00D451938B1

(12) **United States Design Patent**
Chen

(10) **Patent No.:** **US D451,938 S**

(45) **Date of Patent:** **** Dec. 11, 2001**

(54) **MINI-TYPE WIRELESS VIDEO CAMERA**

(75) **Inventor:** **Tzu-Hung Chen, Hsinchu (TW)**

(73) **Assignee:** **Airwave Technologies, Inc., Hsinchu (TW)**

(**) **Term:** **14 Years**

(21) **Appl. No.:** **29/128,986**

(22) **Filed:** **Sep. 7, 2000**

(51) **LOC (7) Cl.** **16-01**

(52) **U.S. Cl.** **D16/202**

(58) **Field of Search** **D16/200-206, D16/208, 209, 218; D14/130; 348/373-376, 143; 358/906; 396/535-541**

(56) **References Cited**

U.S. PATENT DOCUMENTS

- D. 334,761 * 4/1993 Ina et al. D16/202
- D. 366,271 * 1/1996 Hasegawa D16/203
- D. 370,010 * 5/1996 Clapp et al. D14/130
- D. 373,593 * 9/1996 Hiroko et al. D16/203

- D. 410,936 * 6/1999 Isono D16/202
- D. 426,844 * 6/2000 Fujii D16/203
- 4,485,407 * 11/1984 Bohm et al. 348/374
- 5,631,699 * 5/1997 Saito 348/143

* cited by examiner

Primary Examiner—Adir Aronovich

(74) *Attorney, Agent, or Firm*—Rosenberg, Klein & Lee

(57) **CLAIM**

The ornamental design for a mini-type wireless video camera, as shown.

DESCRIPTION

FIG. 1, is a perspective view of mini-type wireless video camera embodying my design.

FIG. 2 is a front elevational view thereof;

FIG. 3 is rear elevational view thereof;

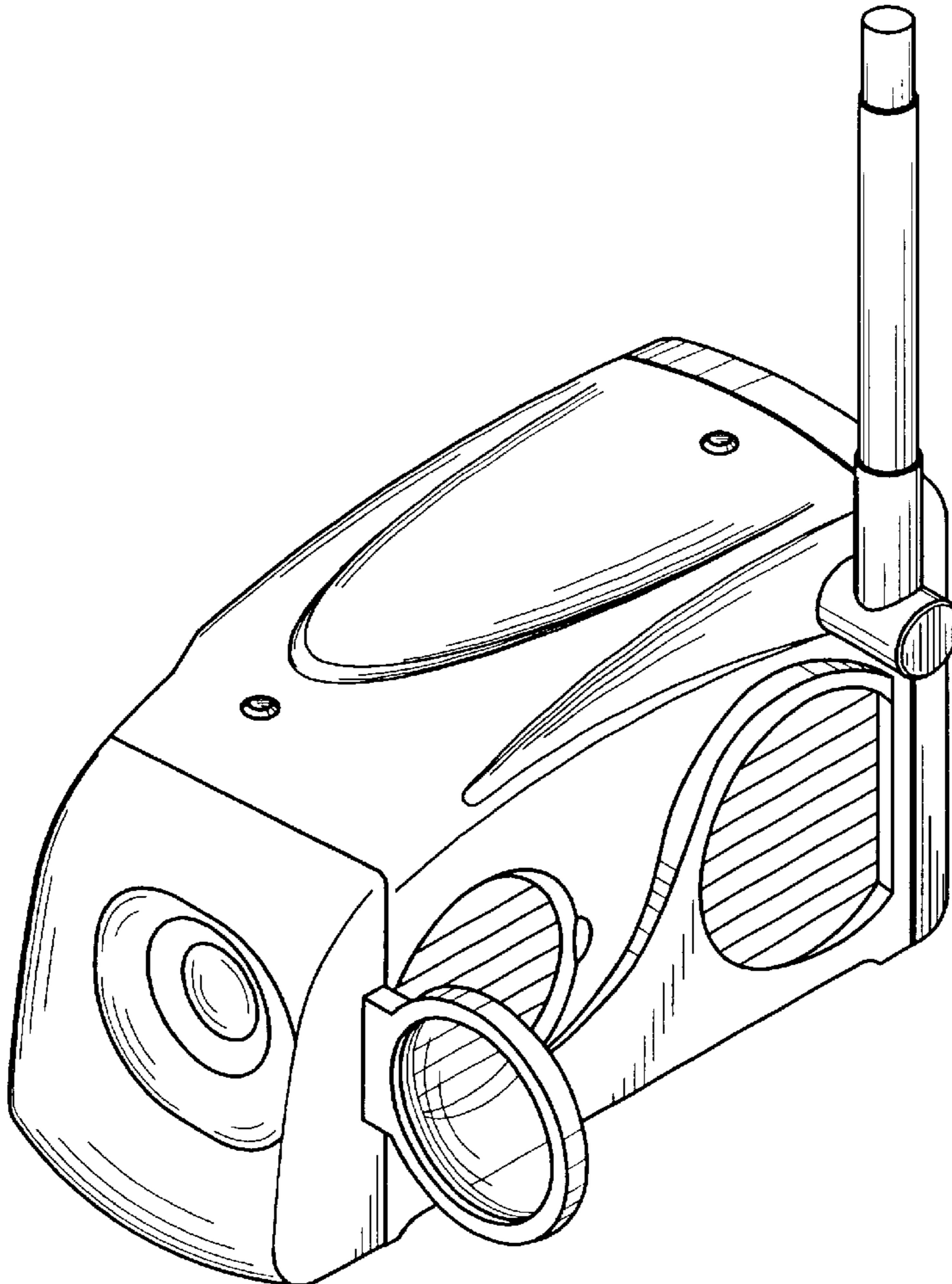
FIG. 4 is left elevational view thereof;

FIG. 5 is a right elevational view thereof;

FIG. 6 is a top view thereof; and,

FIG. 7 is a bottom view thereof.

1 Claim, 7 Drawing Sheets



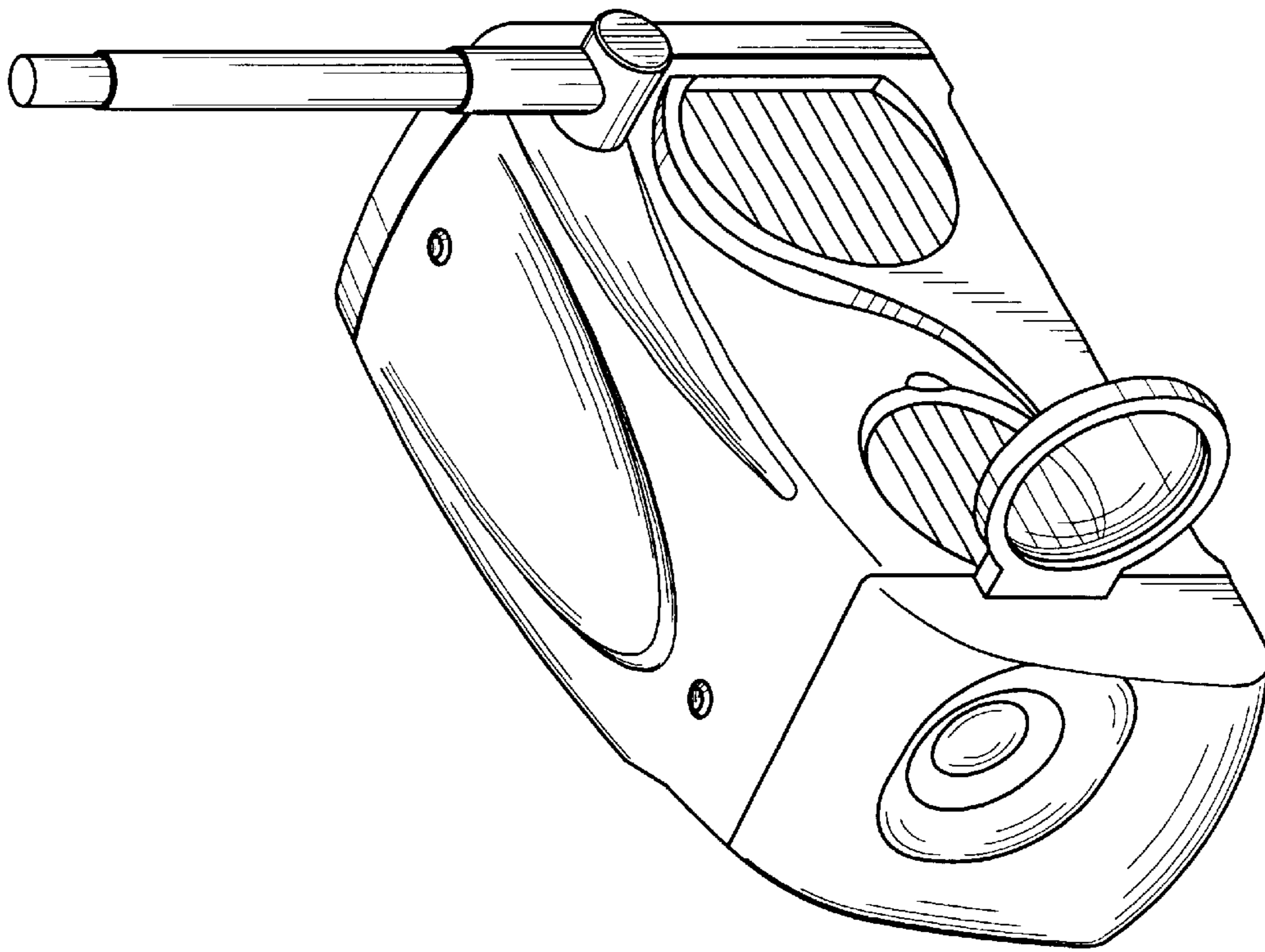


Fig.1

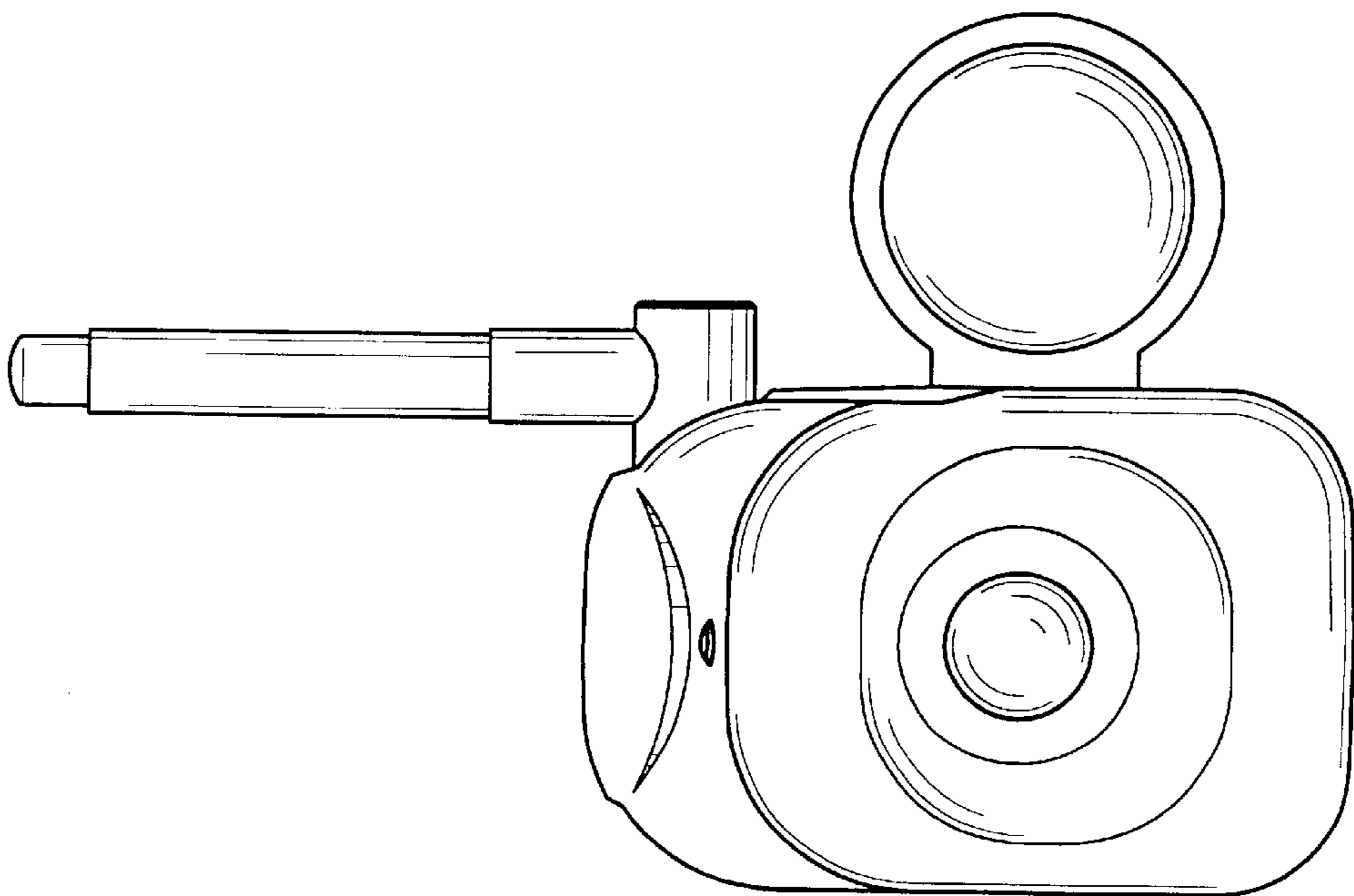


FIG. 2

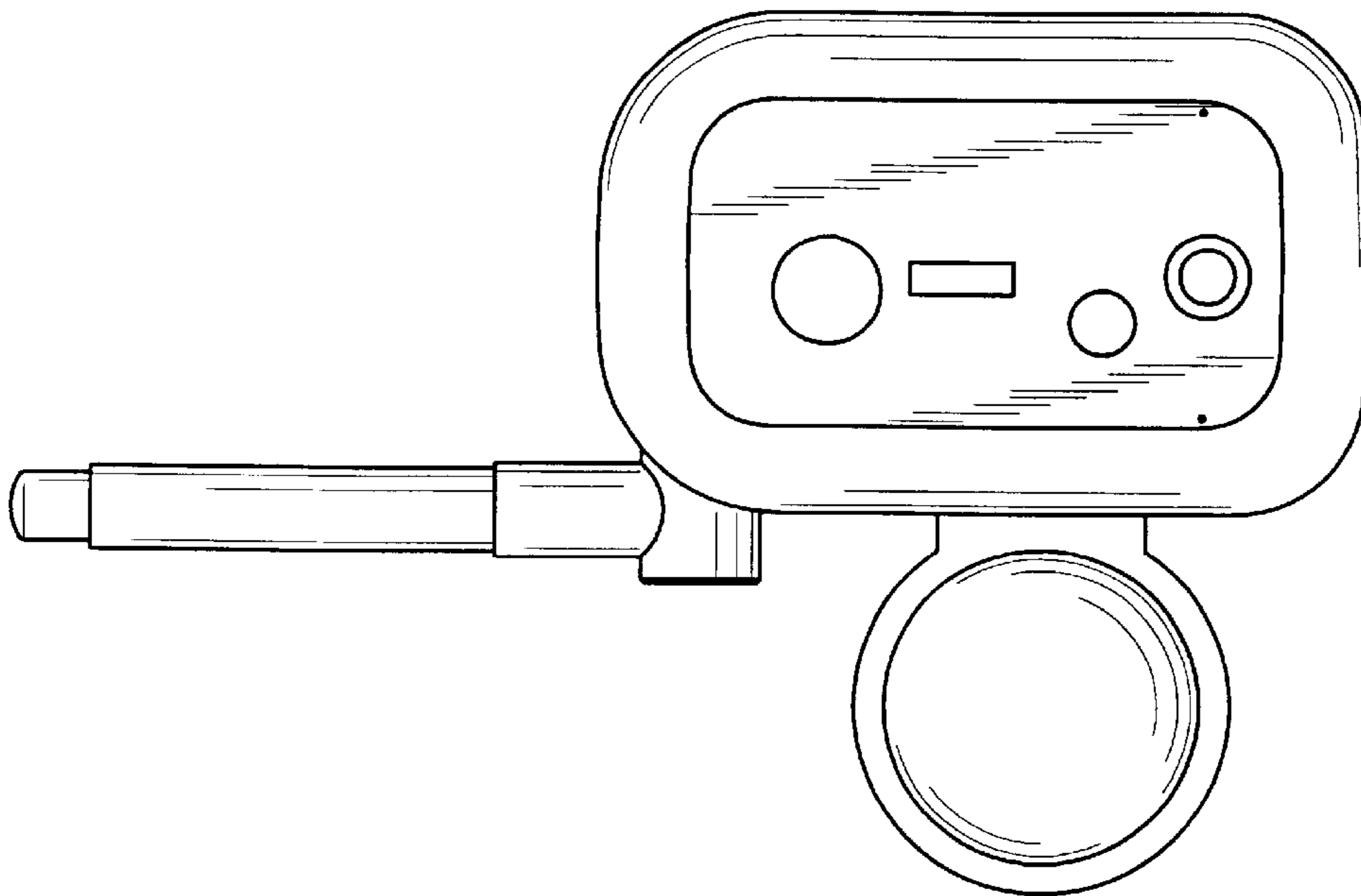


FIG. 3

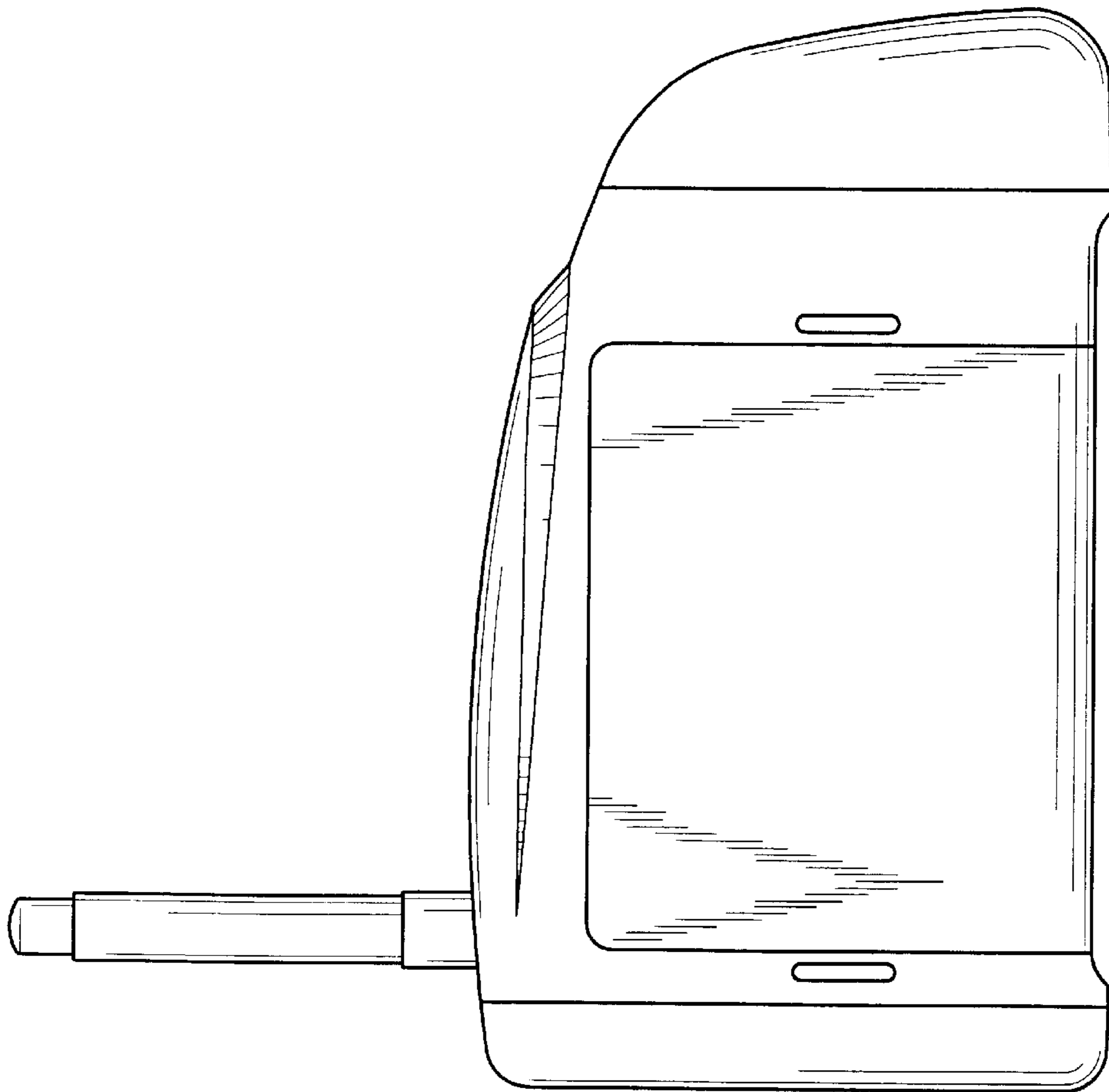


Fig.4

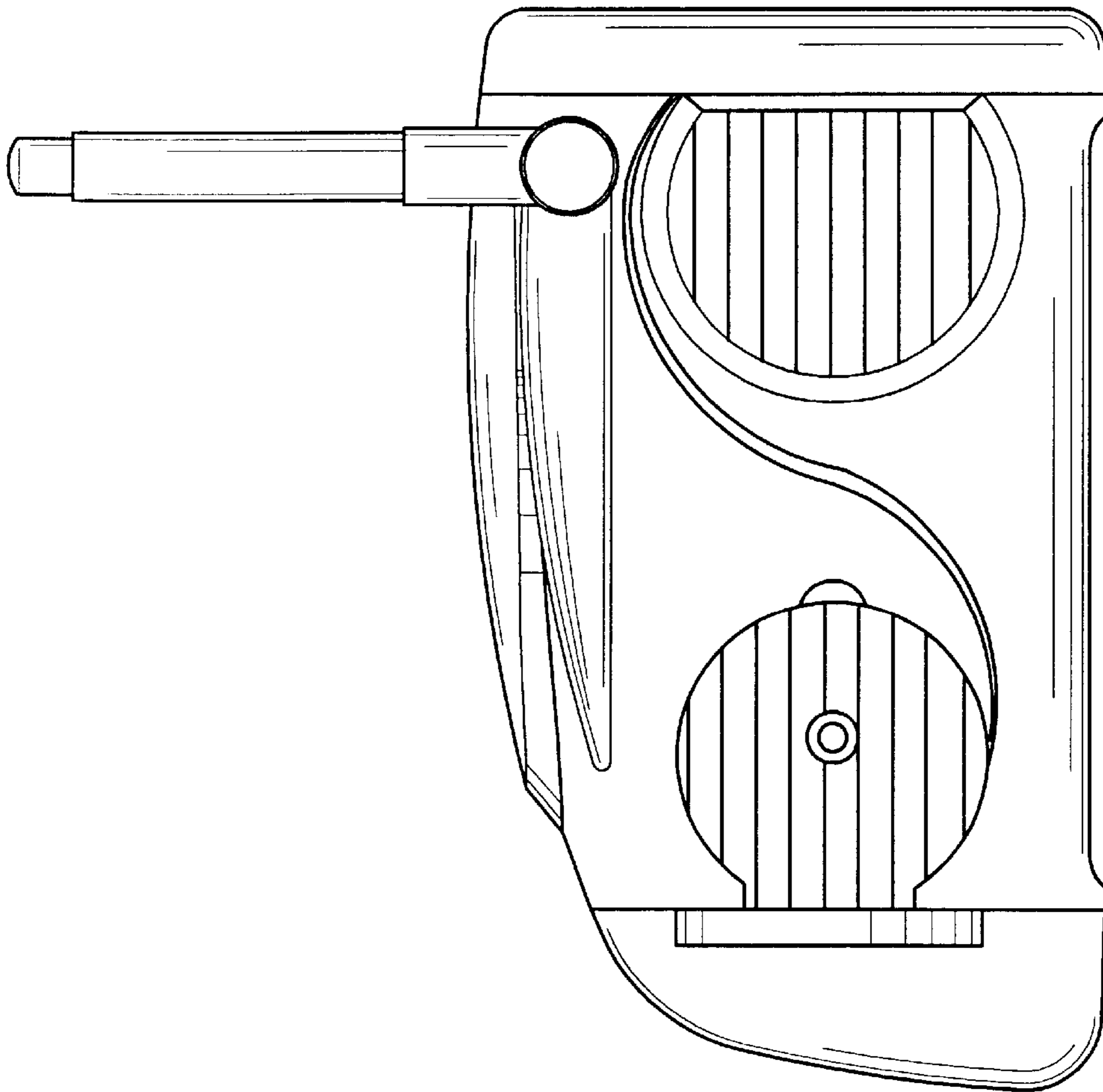


Fig. 5

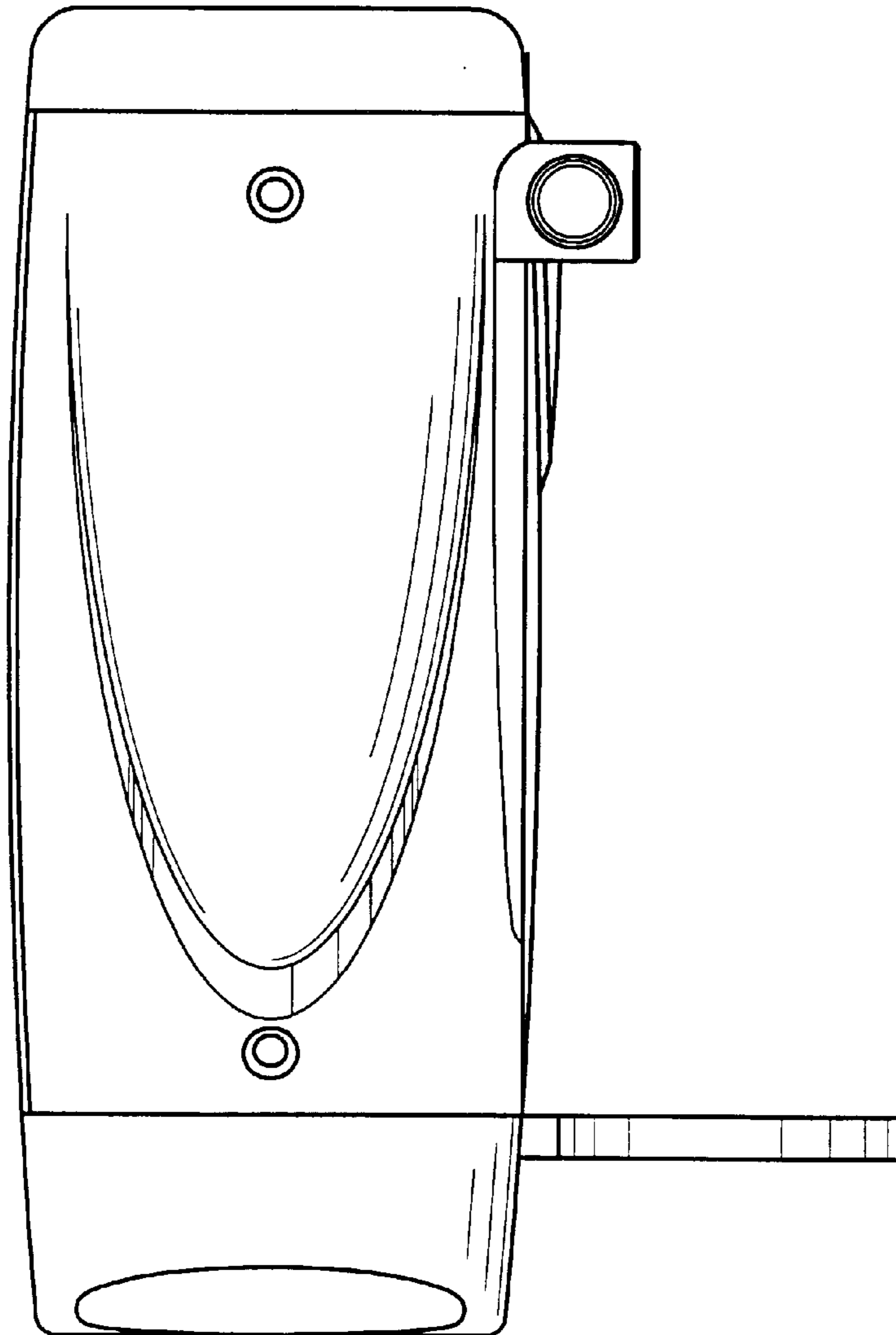


Fig.6

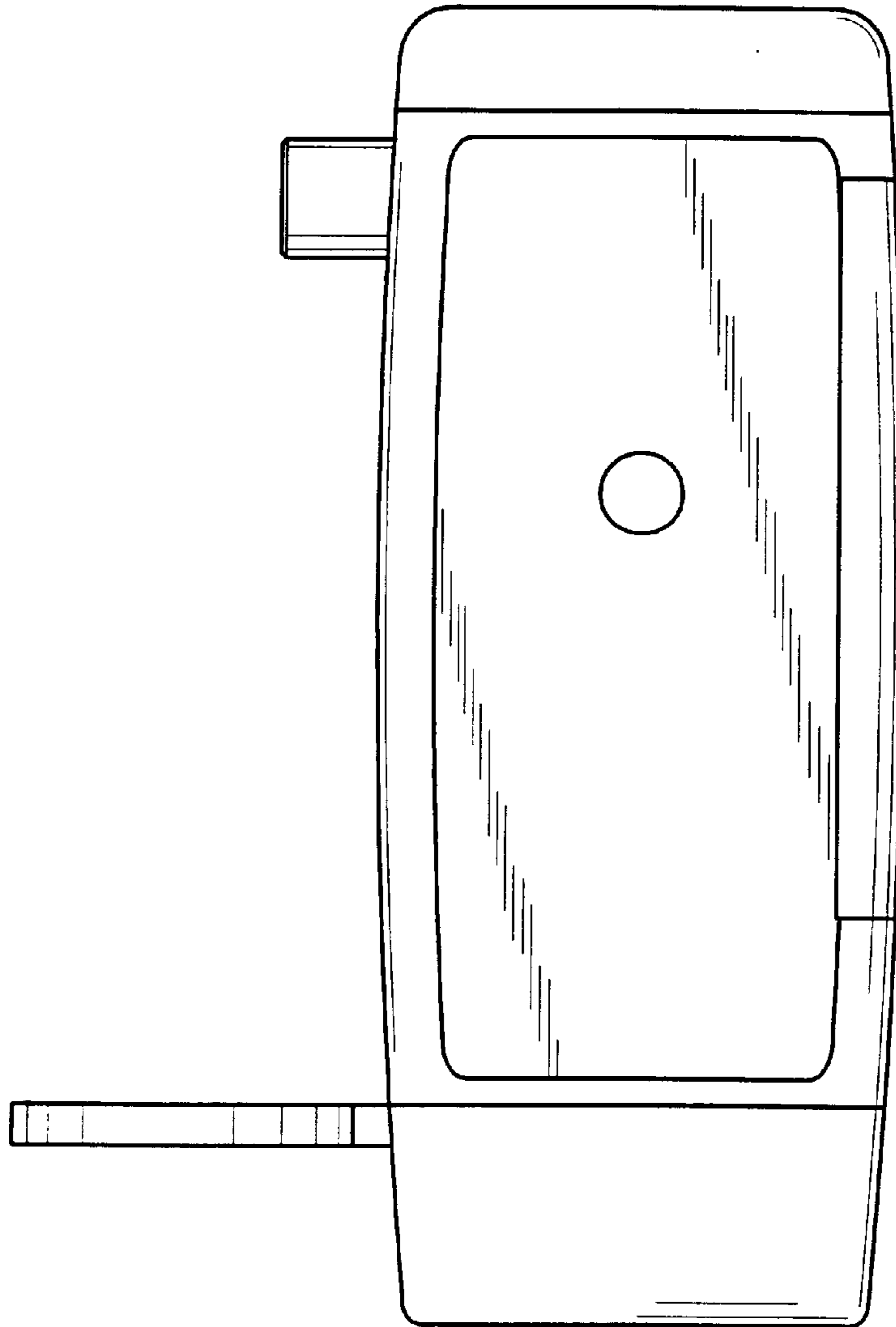


Fig.7