



US00D451937B1

(12) **United States Design Patent**
Selzer et al.

(10) **Patent No.:** **US D451,937 S**

(45) **Date of Patent:** **** Dec. 11, 2001**

(54) **VERTICAL STEPPER STAGE APPARATUS**

5,653,622 * 8/1997 Drill et al. 451/5

(75) Inventors: **Robert A. Selzer; Franz Rauch**, both
of Waterbury, VT (US)

* cited by examiner

(73) Assignee: **SAL, Inc.**, Burlington, VT (US)

Primary Examiner—Antoine Duval Davis

(74) *Attorney, Agent, or Firm*—Thomas Neiman

(**) Term: **14 Years**

(57) **CLAIM**

(21) Appl. No.: **29/105,130**

The ornamental design for a vertical stepper stage apparatus,
as shown and described.

(22) Filed: **May 18, 1999**

DESCRIPTION

(51) **LOC (7) Cl.** **15-09**

FIG. 1 is a top plan view of the novel vertical stepper stage
apparatus;

(52) **U.S. Cl.** **D15/144.1**

FIG. 2 is a right side elevational view thereof;

(58) **Field of Search** D15/199, 140,
D15/144, 144.1, 144.2; 451/5, 21, 41; 438/692;
156/345

FIG. 3 is a left side elevational view thereof;

FIG. 4 is a frontal (or rear) elevational view, the opposite
view being a mirror image thereof;

FIG. 5 is a bottom plan view thereof; and,

FIG. 6 is a perspective view thereof.

(56) **References Cited**

U.S. PATENT DOCUMENTS

D. 397,346 * 8/1998 Fan et al. D15/144.1

1 Claim, 3 Drawing Sheets

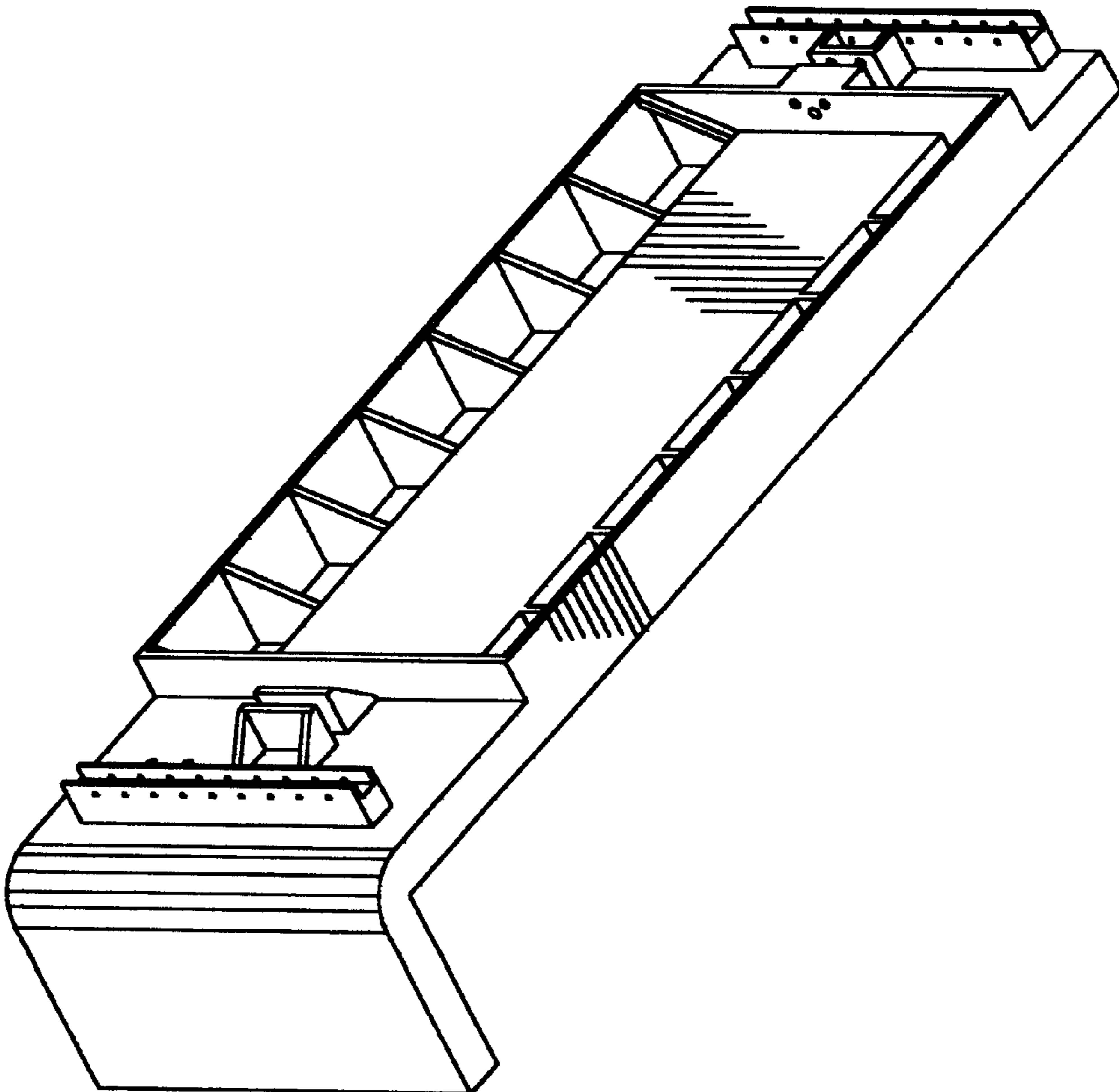


Figure 1

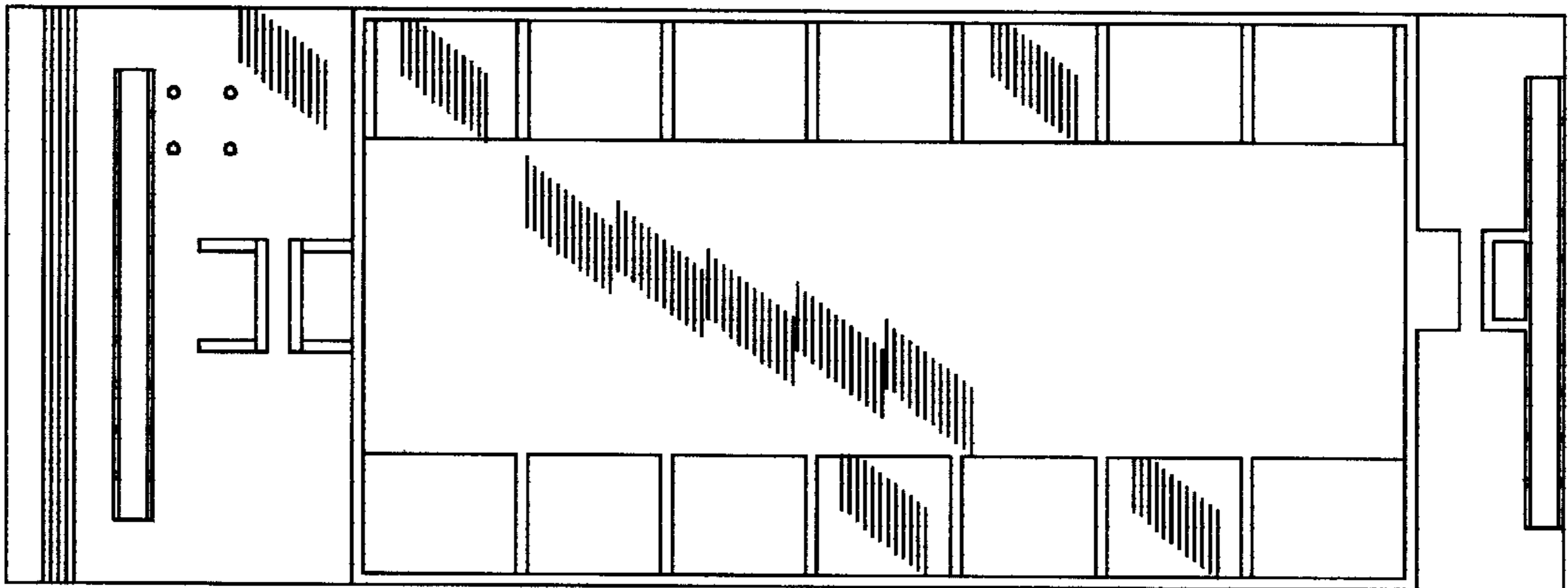


Figure 4

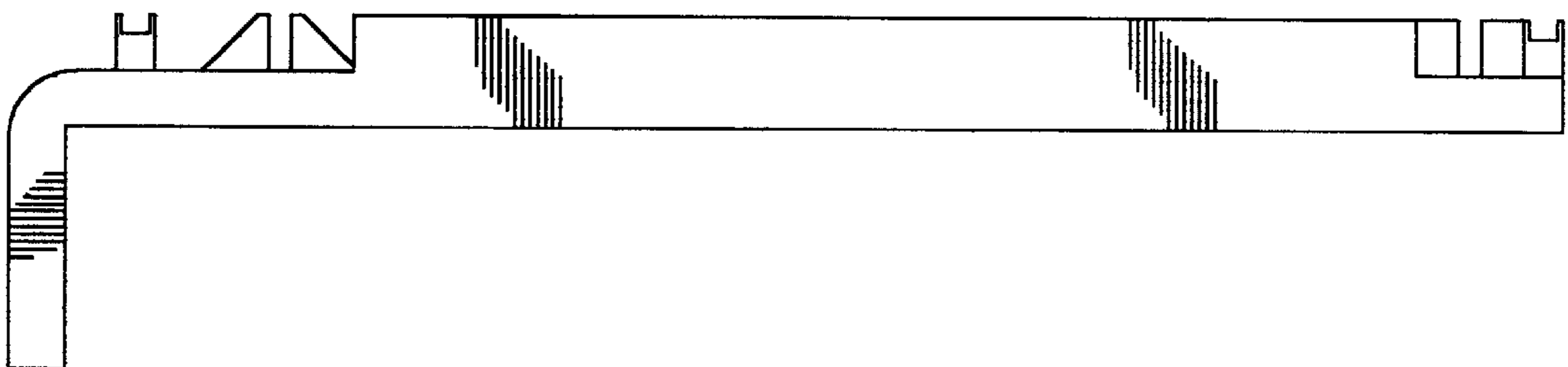


Figure 2

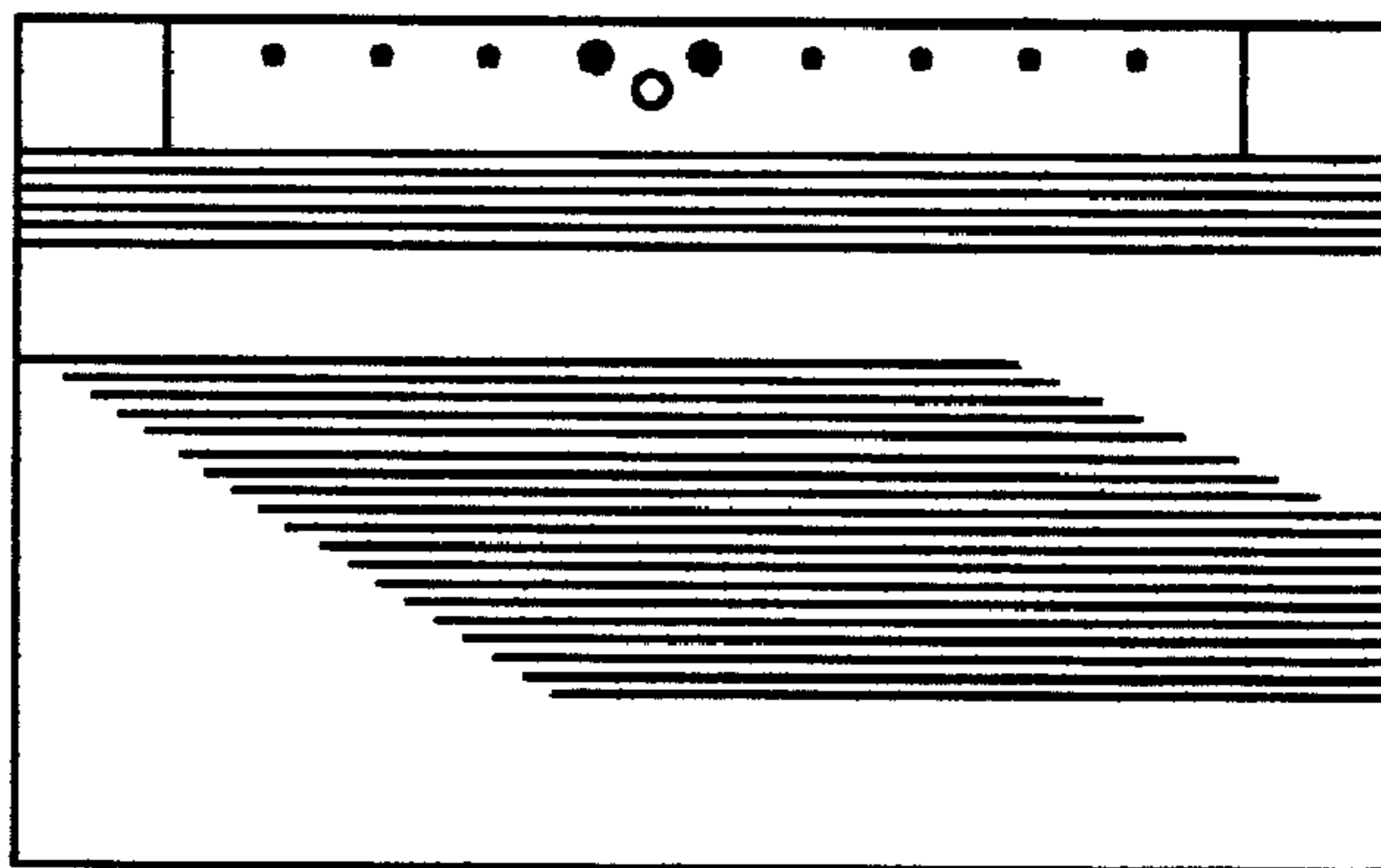


Figure 3

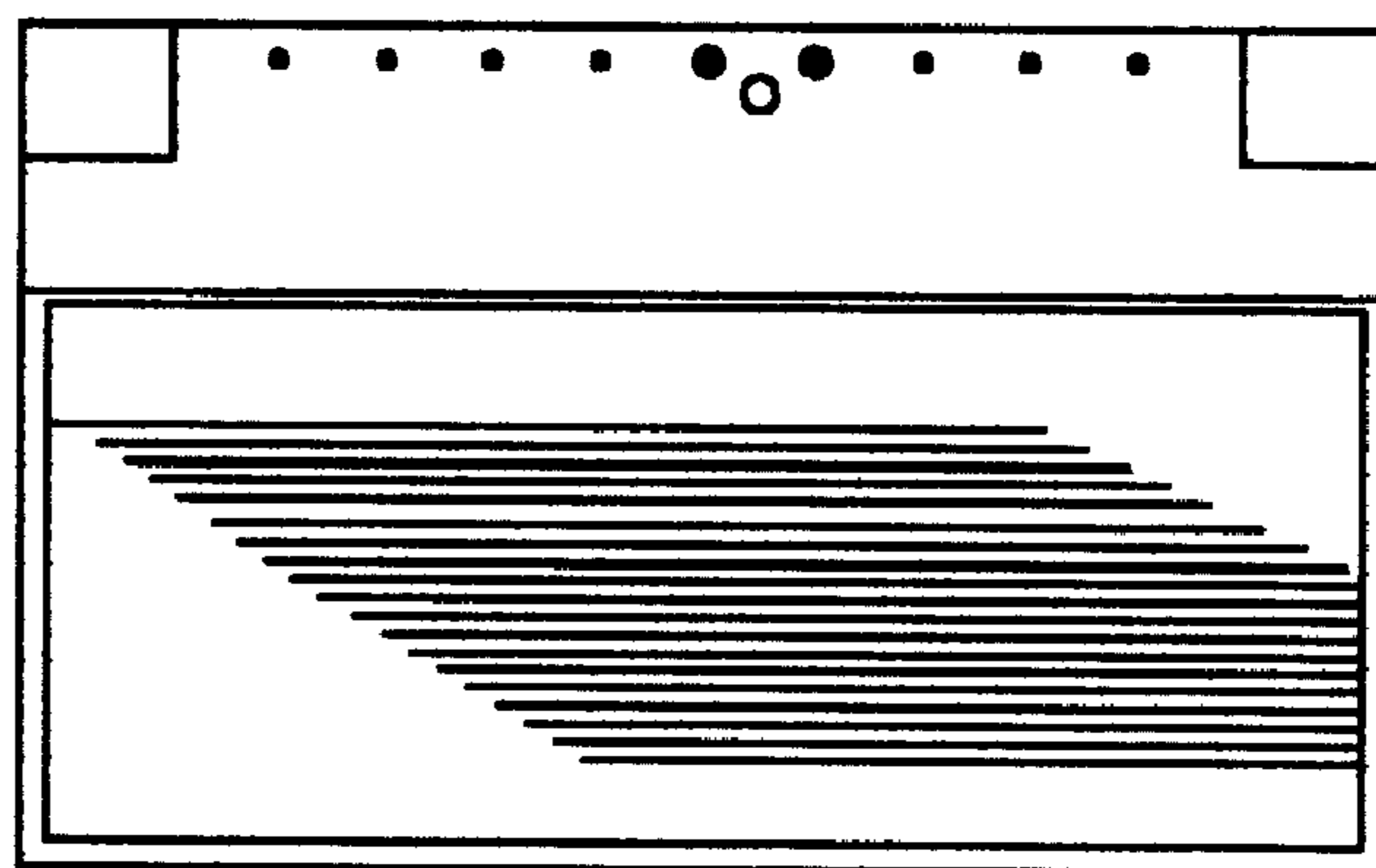


Figure 5

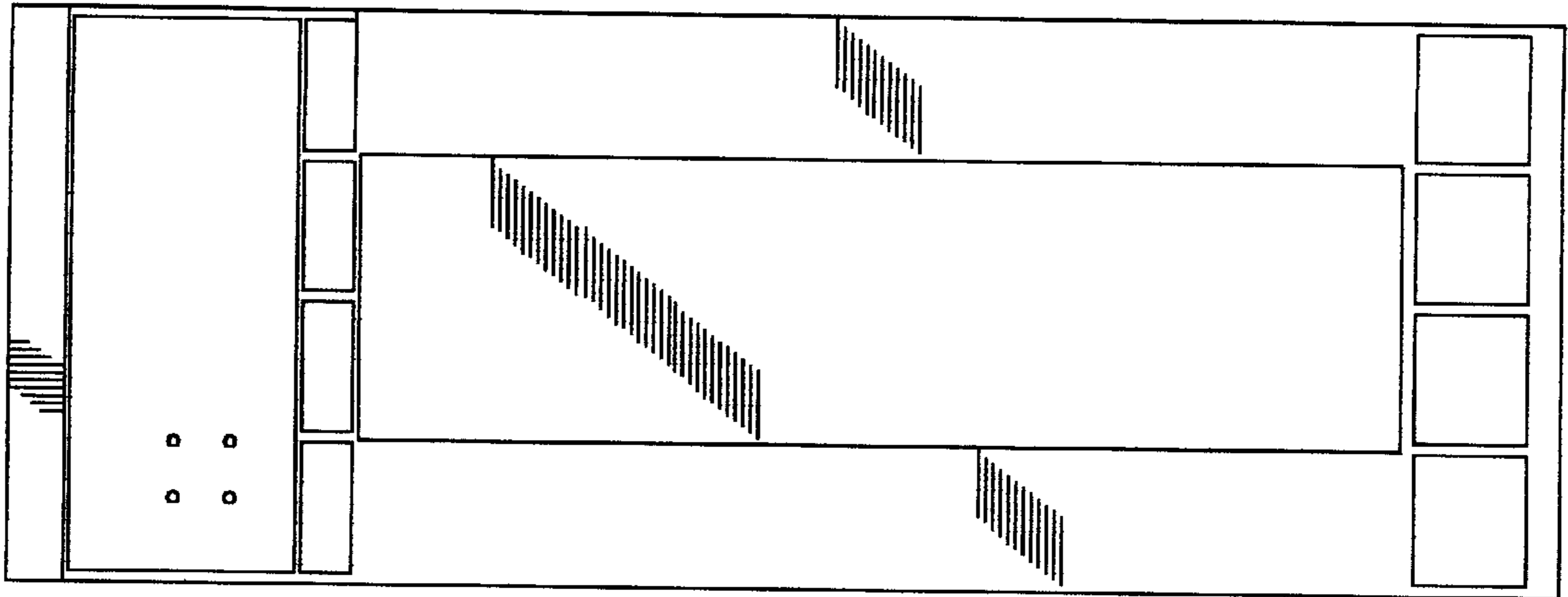


Figure 6

