



US00D451934B1

(12) **United States Design Patent**
Jobst

(10) **Patent No.:** **US D451,934 S**

(45) **Date of Patent:** **** Dec. 11, 2001**

(54) **COOLER**

(75) Inventor: **Karl F. Jobst**, Spartanburg, SC (US)

(73) Assignee: **Specialty Equipment Companies, Inc.**,
Aurora, IL (US)

(**) Term: **14 Years**

(21) Appl. No.: **29/127,995**

(22) Filed: **Aug. 16, 2000**

Related U.S. Application Data

(62) Division of application No. 29/104,000, filed on Apr. 26, 1999, now Pat. No. Des. 432,550.

(51) **LOC (7) Cl.** **15-07**

(52) **U.S. Cl.** **D15/83**

(58) **Field of Search** D15/79-91; 312/116,
312/138.1, 401, 402, 404, 405, 405.1; 62/246,
251, 248, 449, 440, 441; 362/92; D26/51,
58

(56) **References Cited**

U.S. PATENT DOCUMENTS

- | | | |
|------------|---------|------------|
| D. 189,843 | 3/1961 | Rhoads . |
| 1,647,785 | 11/1927 | Coughlin . |
| 2,112,599 | 3/1938 | Heitman . |
| 2,276,635 | 3/1942 | Weber . |

- | | | |
|-----------|--------|----------------|
| 2,465,934 | 3/1949 | Sanders . |
| 2,504,520 | 4/1950 | Greiling . |
| 3,759,059 | 9/1973 | Kenyon . |
| 4,274,267 | 6/1981 | James et al. . |
| 4,941,327 | 7/1990 | Miles . |

OTHER PUBLICATIONS

- Beverage-Air Curve dated May 12, 1997.
Beverage-Air Stylized Curve dated May 12, 1997.
Beverage-Air Flat dated May 12, 1997.

Primary Examiner—B. J. Bullock

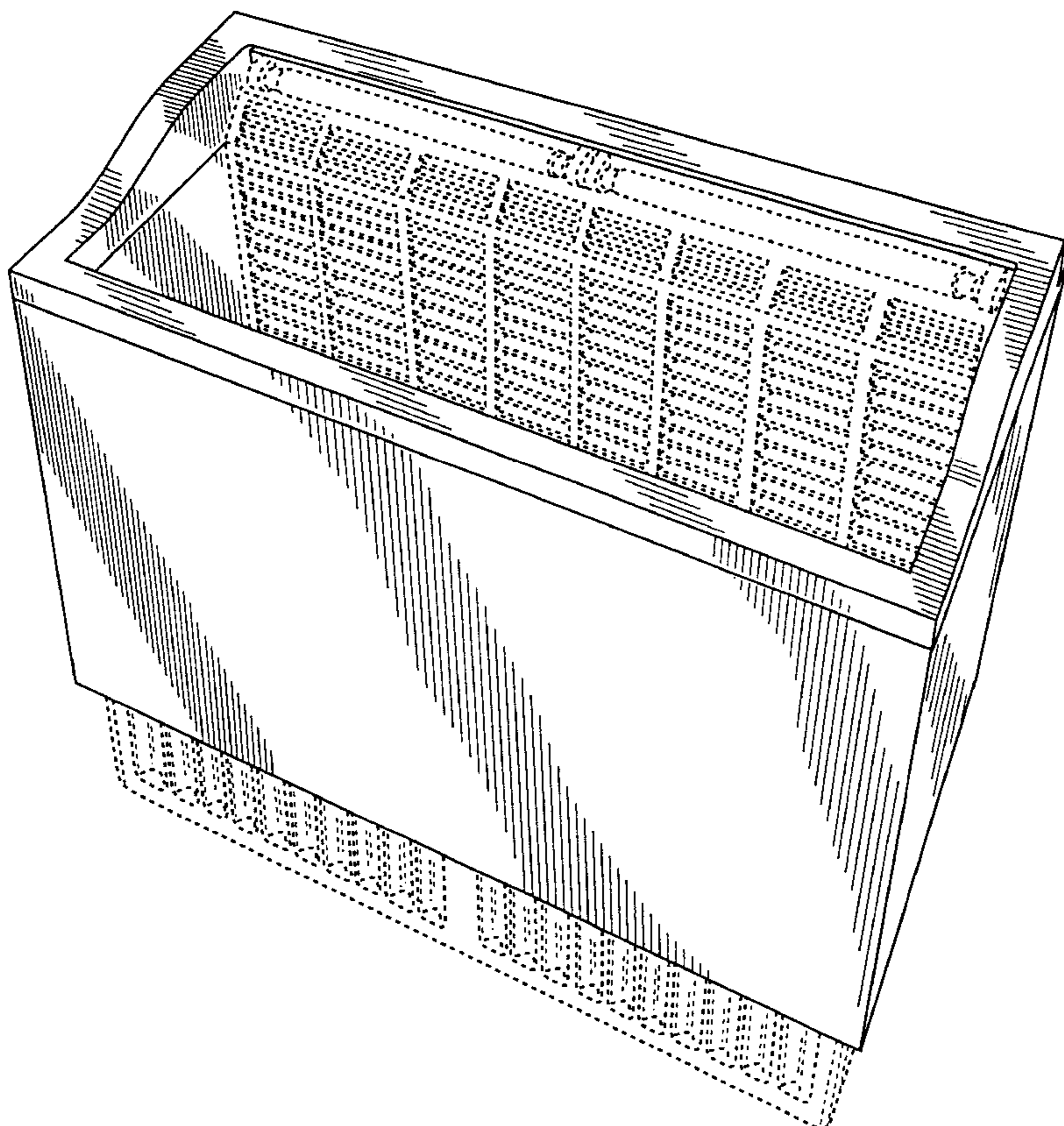
(57) **CLAIM**

The ornamental design for a cooler, substantially as shown and described.

DESCRIPTION

FIG. 1 is a perspective view of a first embodiment of a cooler embodying the design of the present invention. FIG. 2 is a front elevational view of the cooler illustrated in FIG. 1. FIG. 3 is a rear elevational view of the cooler of FIG. 1. FIG. 4 is a right side elevational view of the cooler of FIG. 1. FIG. 5 is a left side elevational view of the cooler of FIG. 1. FIG. 6 is a top plan view of the cooler of FIG. 1; and, FIG. 7 is a bottom plan view of the cooler of FIG. 1.

1 Claim, 5 Drawing Sheets



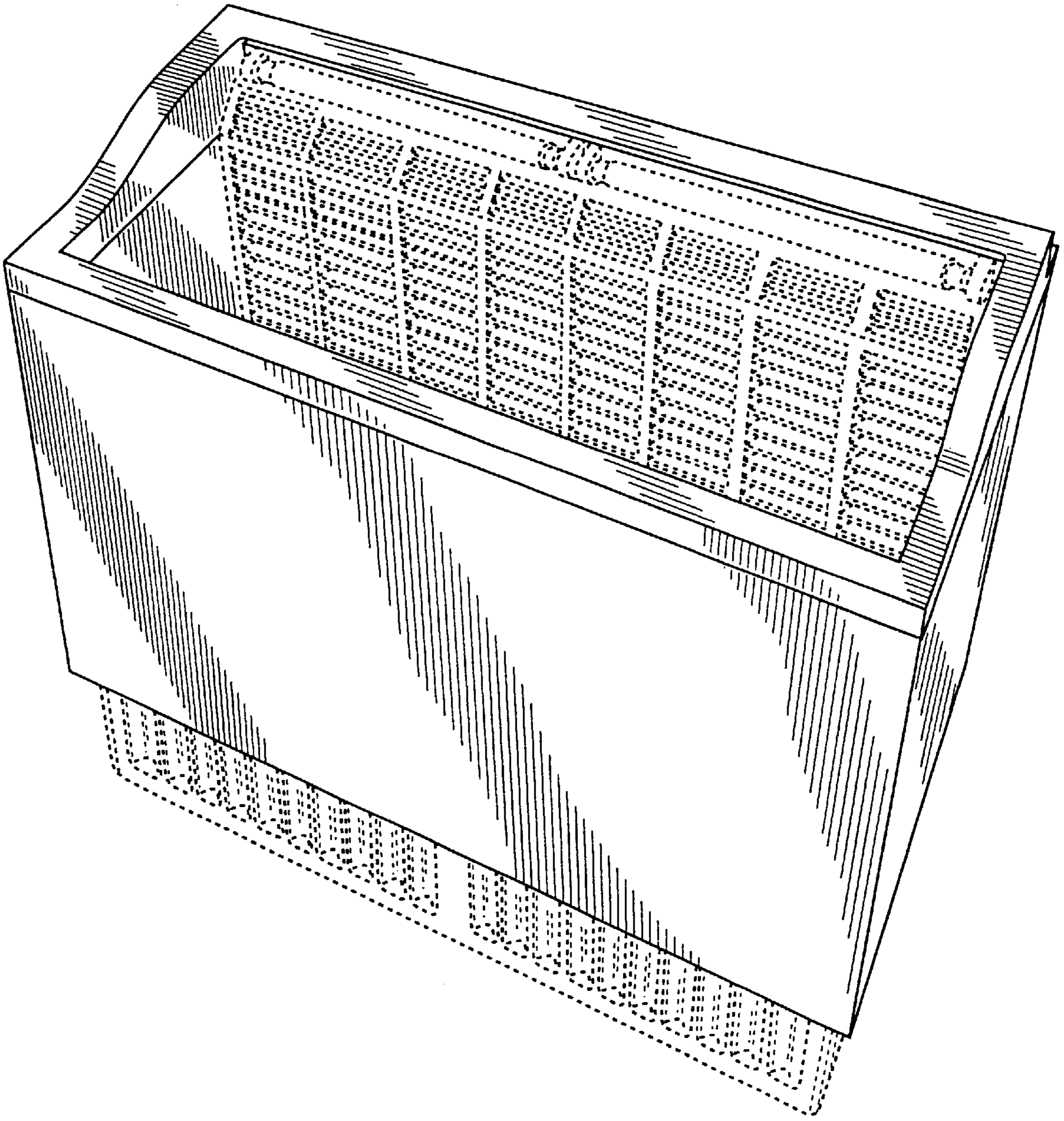


FIG. 1

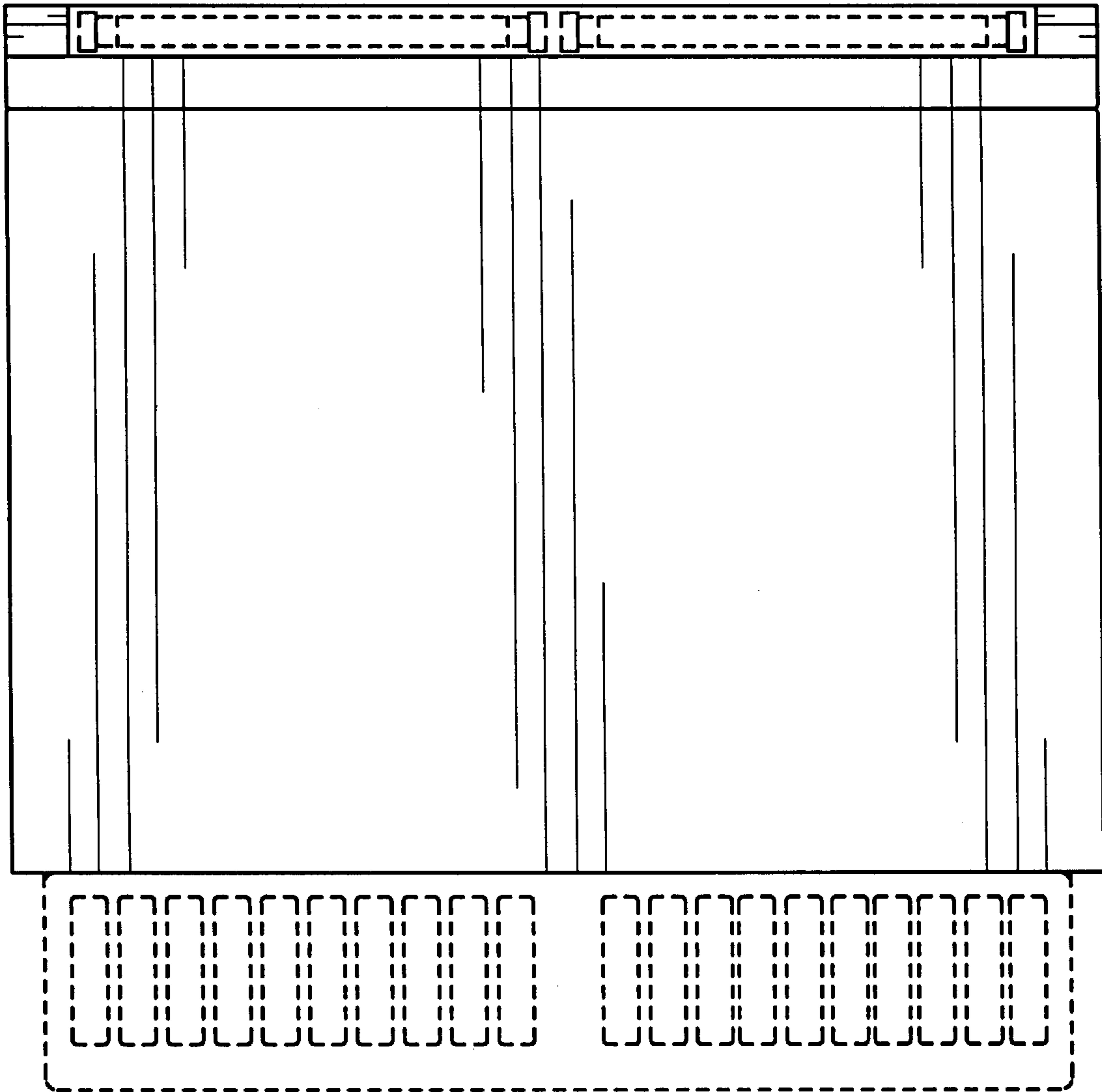


FIG. 2

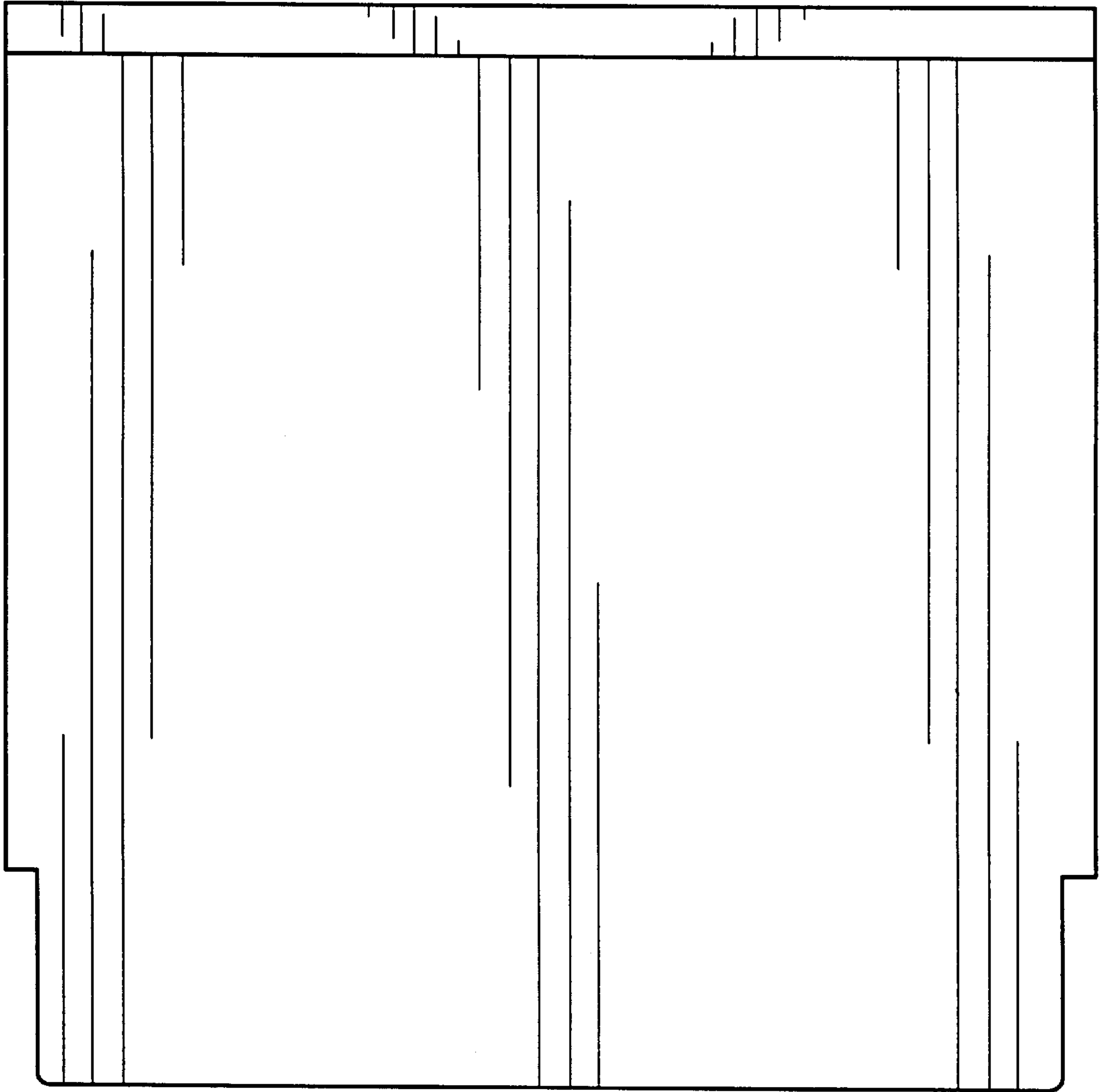


FIG. 3

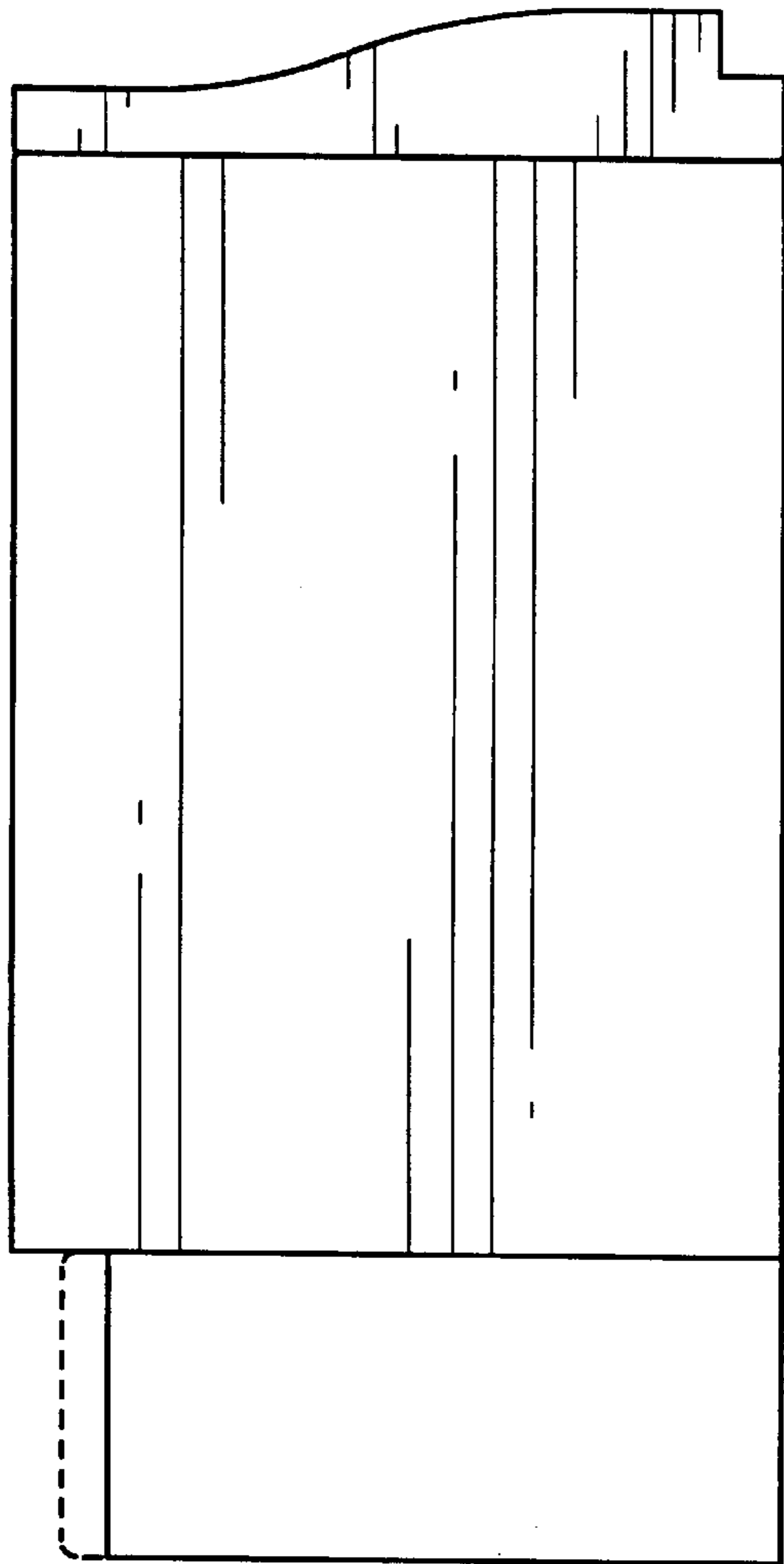


FIG. 4

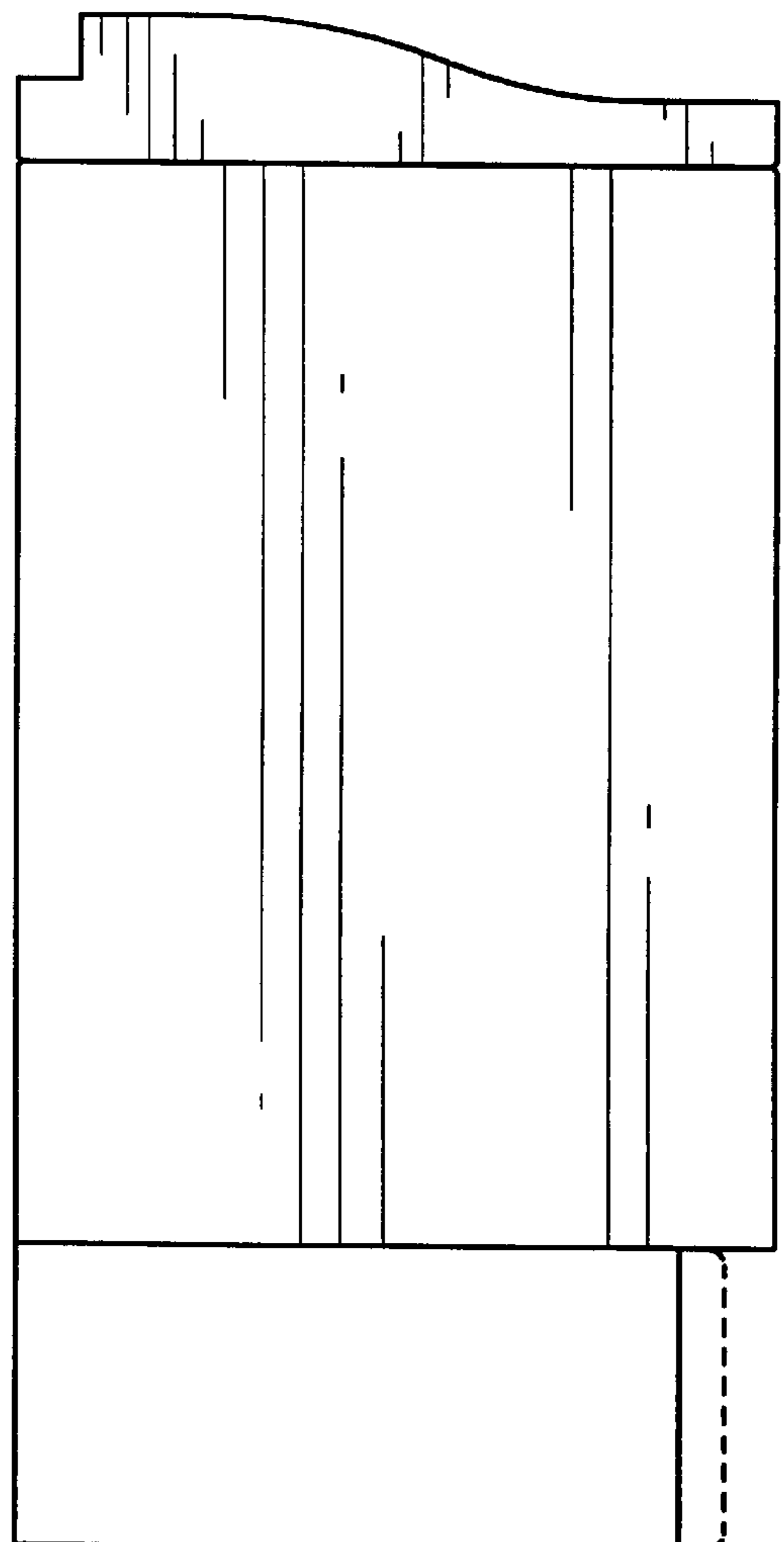


FIG. 5

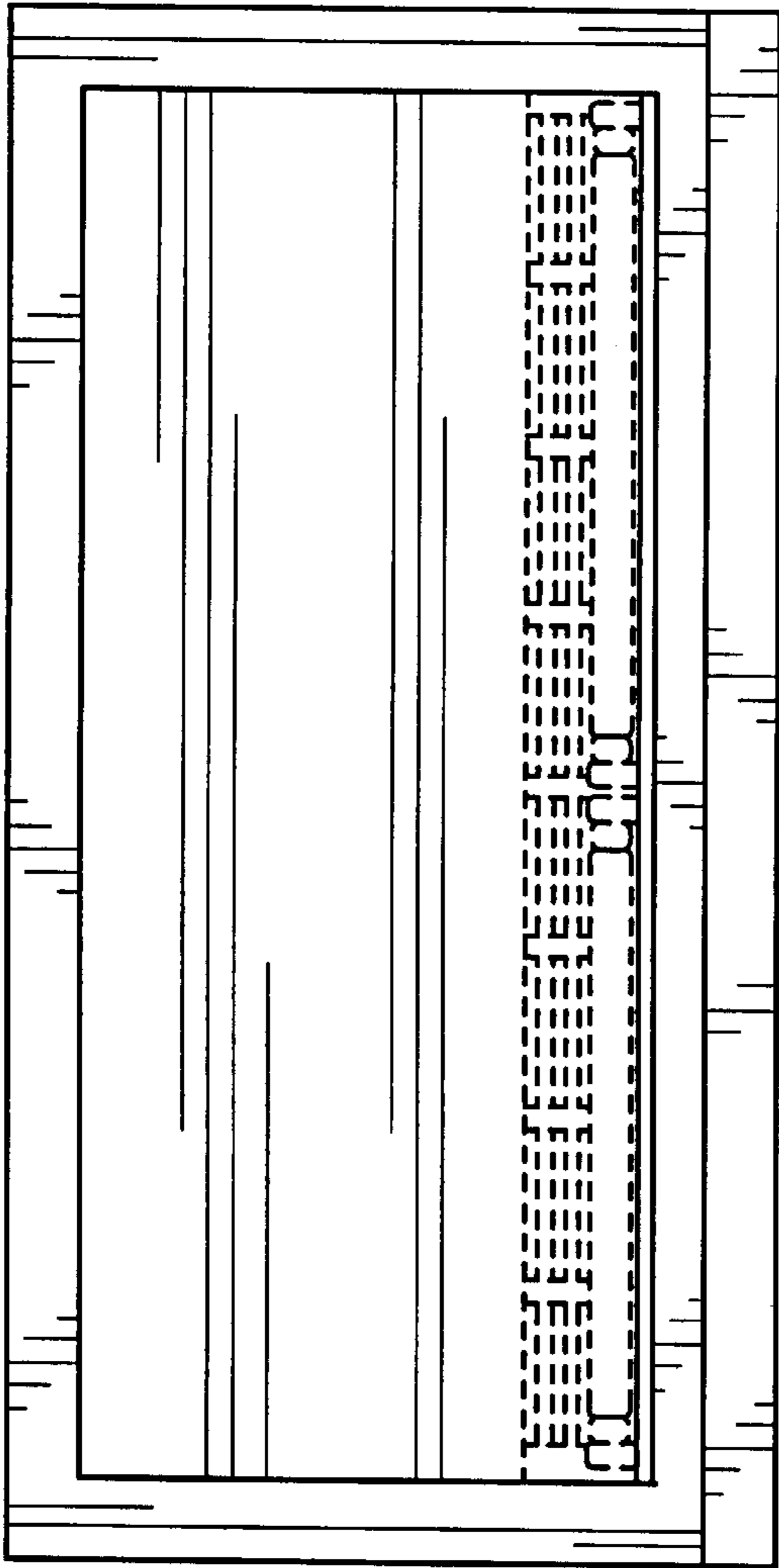


FIG. 6

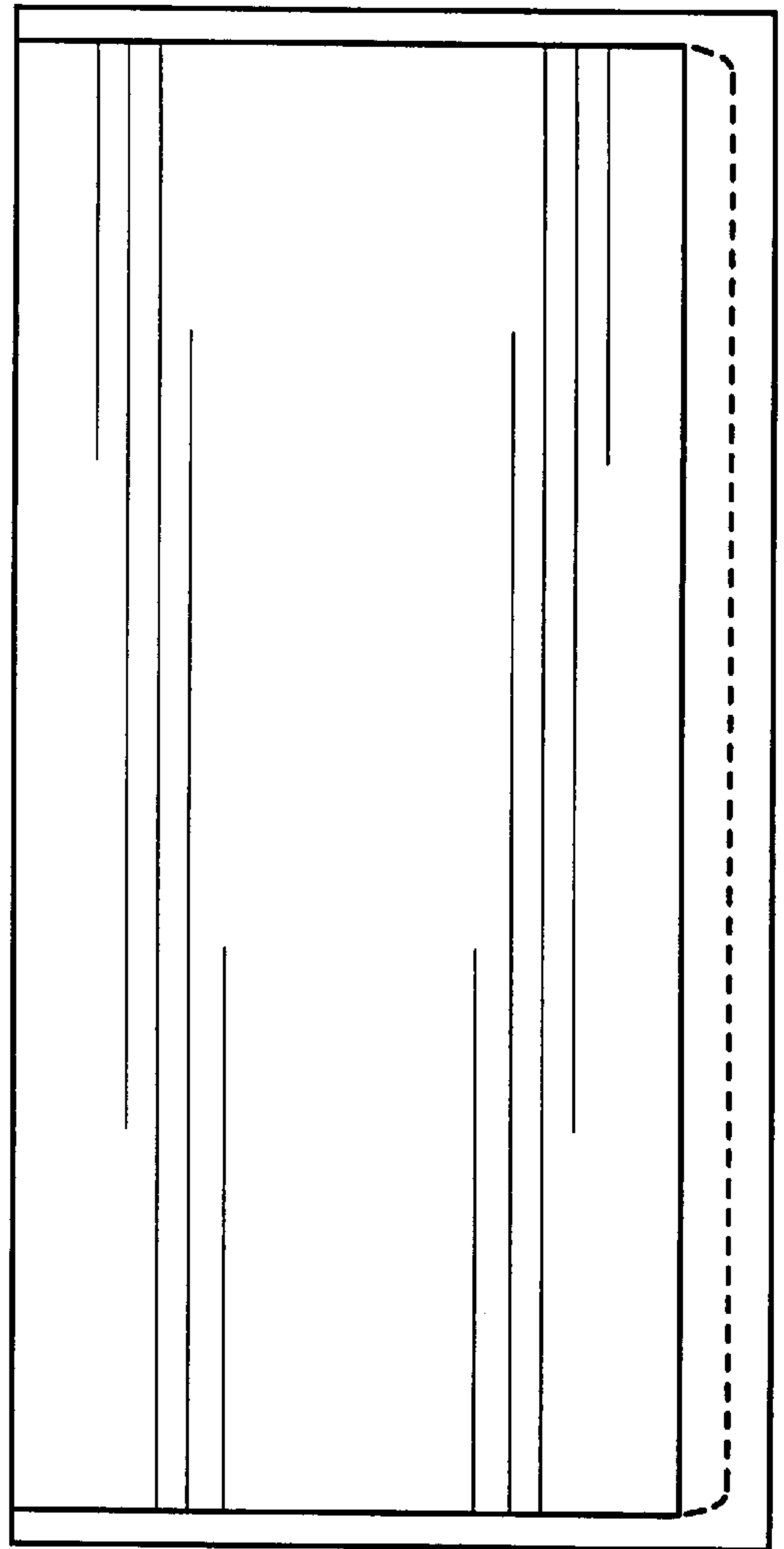


FIG. 7