



US00D451933B1

(12) **United States Design Patent**  
**Brandenburg et al.**

(10) **Patent No.:** **US D451,933 S**

(45) **Date of Patent:** **\*\* Dec. 11, 2001**

(54) **TRACKED FELLER-BUNCHER UPPER**

(75) Inventors: **John F. Brandenburg**, Naperville, IL (US); **Elmer R. Crabb**, Granbury, TX (US); **Matthew T. Keeley**, Naperville, IL (US); **Craig B. Kelley**, Dunlap, IL (US); **Charles H. Menke**, Bolingbrook, IL (US)

(73) Assignee: **Caterpillar Inc.**, Peoria, IL (US)

(\*\*) Term: **14 Years**

(21) Appl. No.: **29/134,646**

(22) Filed: **Dec. 22, 2000**

(51) **LOC (7) Cl.** ..... **15-03**

(52) **U.S. Cl.** ..... **D15/28; D28/30**

(58) **Field of Search** ..... D15/28, 31, 10, D15/22-26; 180/89.14, 9.23, 41; 144/41, 24.13; 280/6.154, 702, 111, 6 H, 775, 6 R; 172/111, 25, 35

(56) **References Cited**

**U.S. PATENT DOCUMENTS**

D. 208,418	*	8/1967	Koeber	.....	D15/31
D. 219,011	*	10/1970	Marushak et al.	.....	D15/28
4,273,168		6/1981	Propst .		
4,583,908		4/1986	Crawford .		
4,679,803	*	7/1987	Biller et al.	.....	180/9.23
5,107,912		4/1992	Cote et al. .		
5,222,563	*	6/1993	van Horlick	.....	172/111
5,931,247		8/1999	Peterson .		

6,085,811	*	7/2000	Wiener et al.	.....	144/4.1
6,105,699	*	8/2000	Hinds	.....	180/89.14
6,173,973	*	1/2001	Robinson	.....	280/6.154
6,241,263	*	6/2001	Hicks	.....	280/6.154

\* cited by examiner

*Primary Examiner*—Mitchell Siegel

(74) *Attorney, Agent, or Firm*—Liza J. Meyers

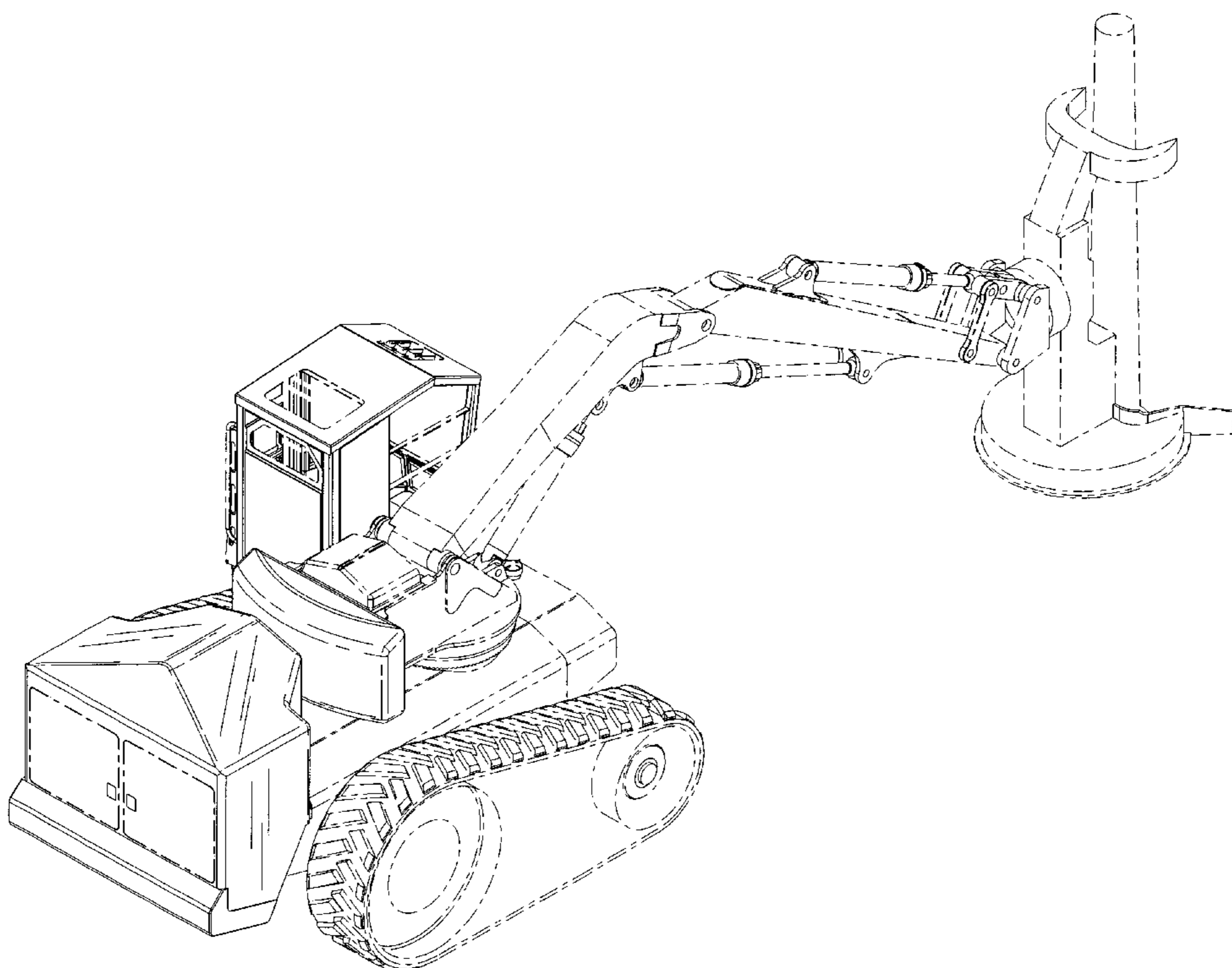
(57) **CLAIM**

The ornamental design of a tracked feller-buncher upper, as substantially shown and described.

**DESCRIPTION**

FIG. 1 is a front elevational view of a tracked feller-buncher upper, the broken line showing is for illustrative purposes only and forms no part of the claimed design; FIG. 2 is a back elevational view thereof; FIG. 3 is a left side elevational view thereof; FIG. 4 is a right side perspective view thereof; FIG. 5 is a left side perspective view thereof; FIG. 6 is a back right perspective view thereof; FIG. 7 is an enlarged top plan view of the tracked feller-buncher upper; FIG. 8 is a bottom plan view of FIG. 7; FIG. 9 is a front elevational view of FIG. 7; FIG. 10 is a back elevational view of FIG. 7; FIG. 11 is a left side elevational view of FIG. 7; and, FIG. 12 is a right side elevational view of FIG. 7. The broken line showing in FIGS. 7-12 is for illustrative purposes only and forms no part of the claimed design.

**1 Claim, 12 Drawing Sheets**



**FIG. 1**

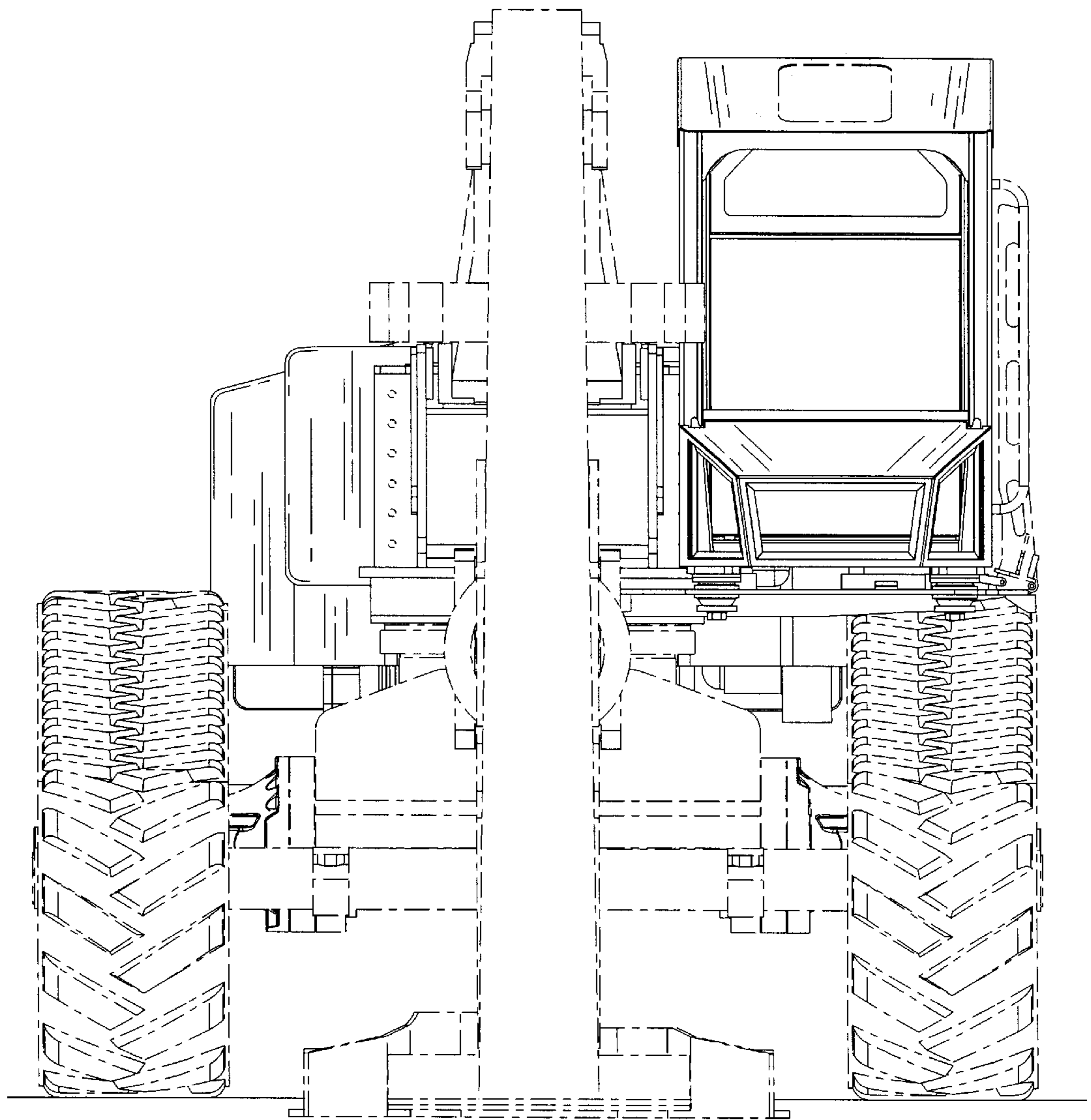
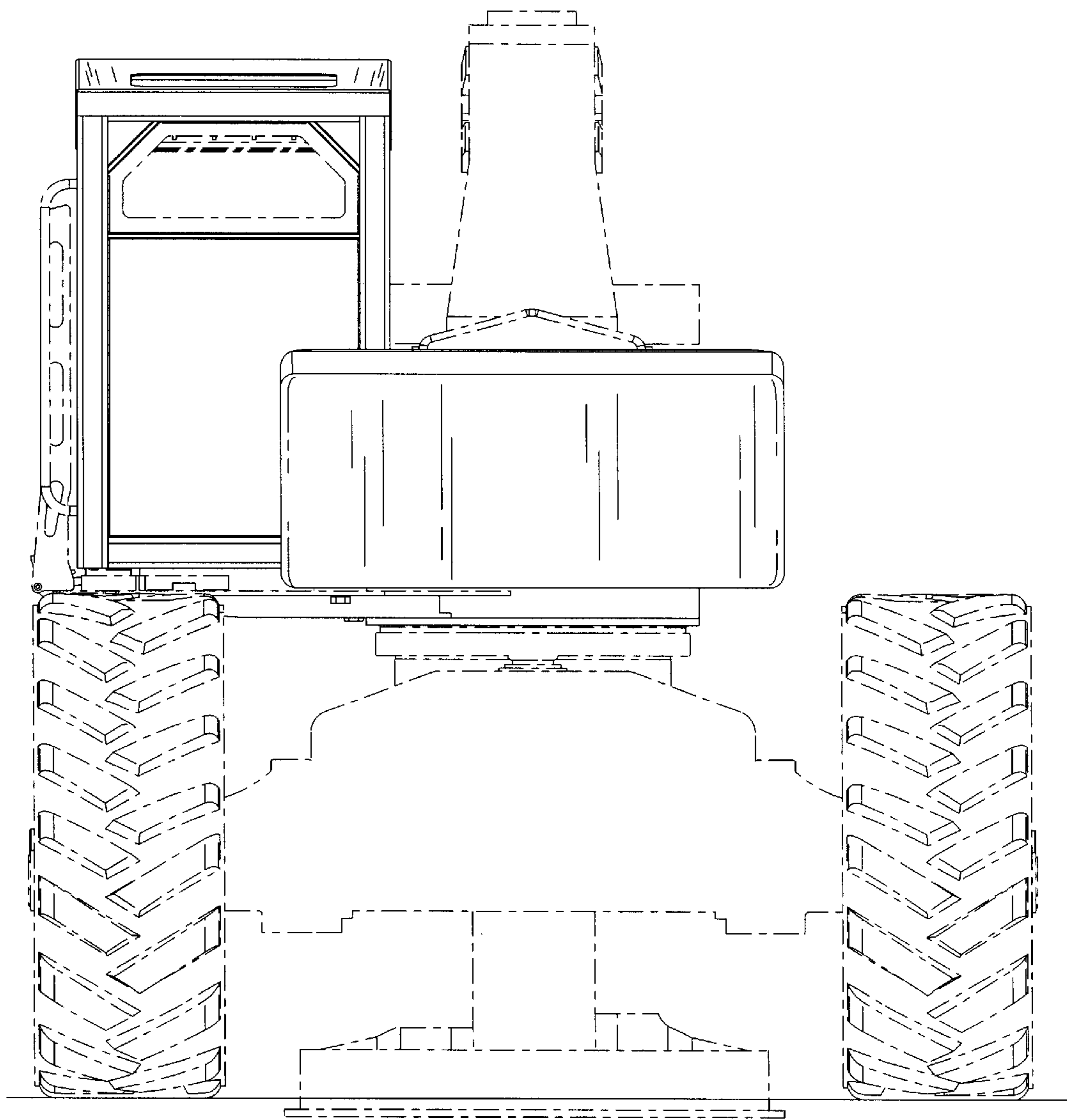
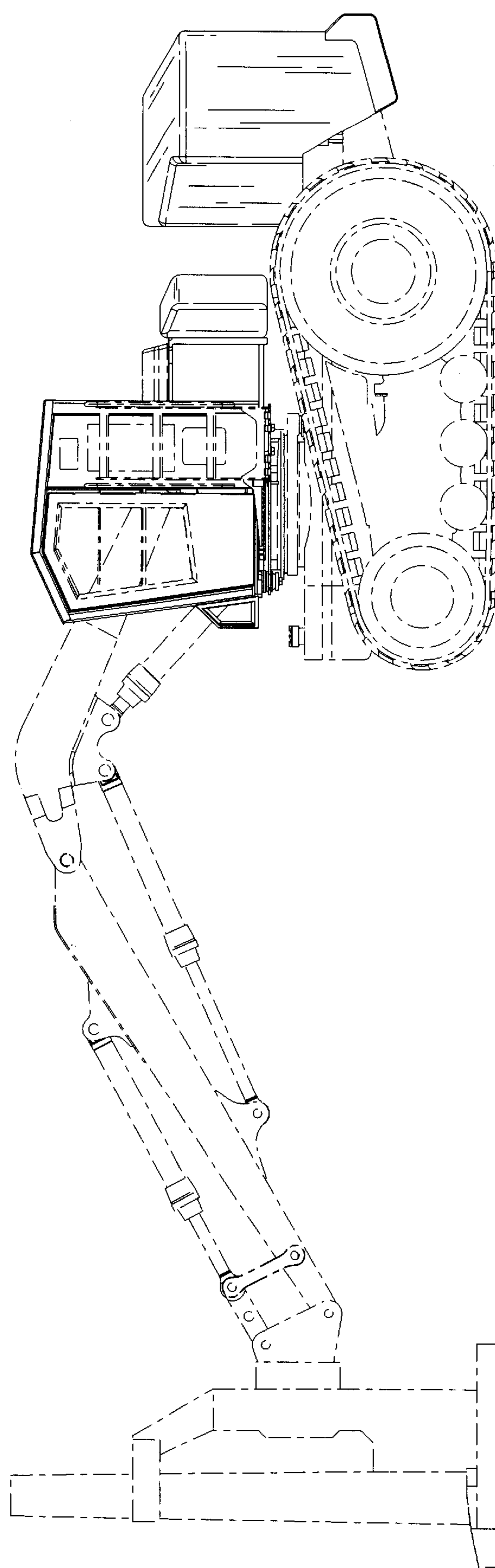


FIG. 2.

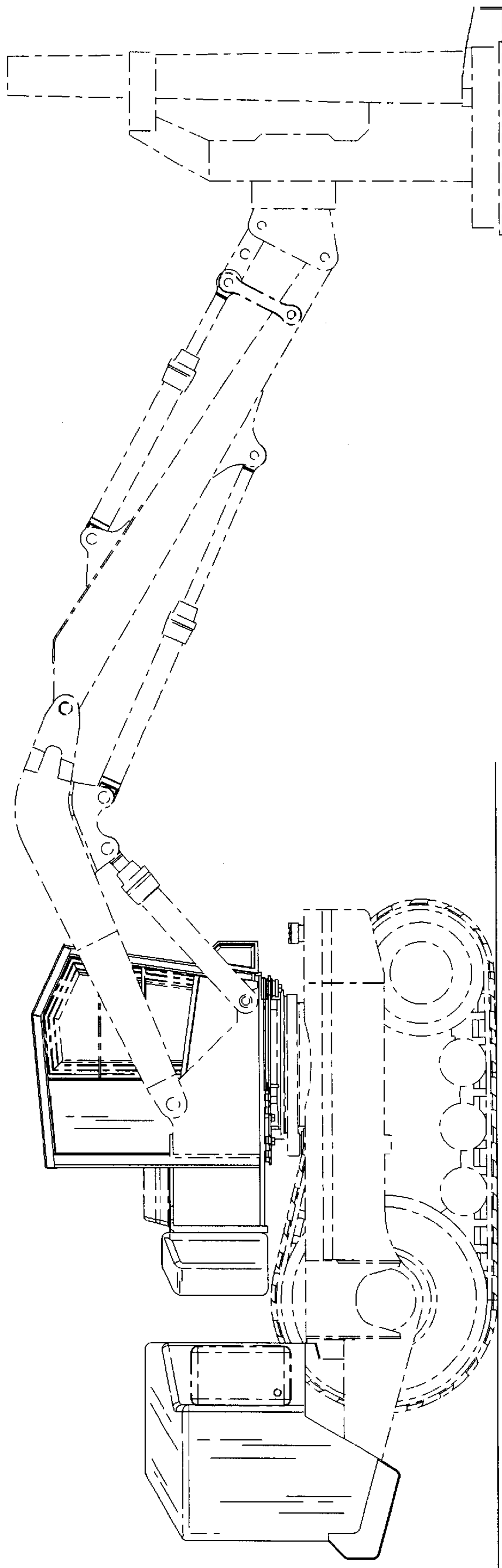




M -  
H



FIG. 4 -



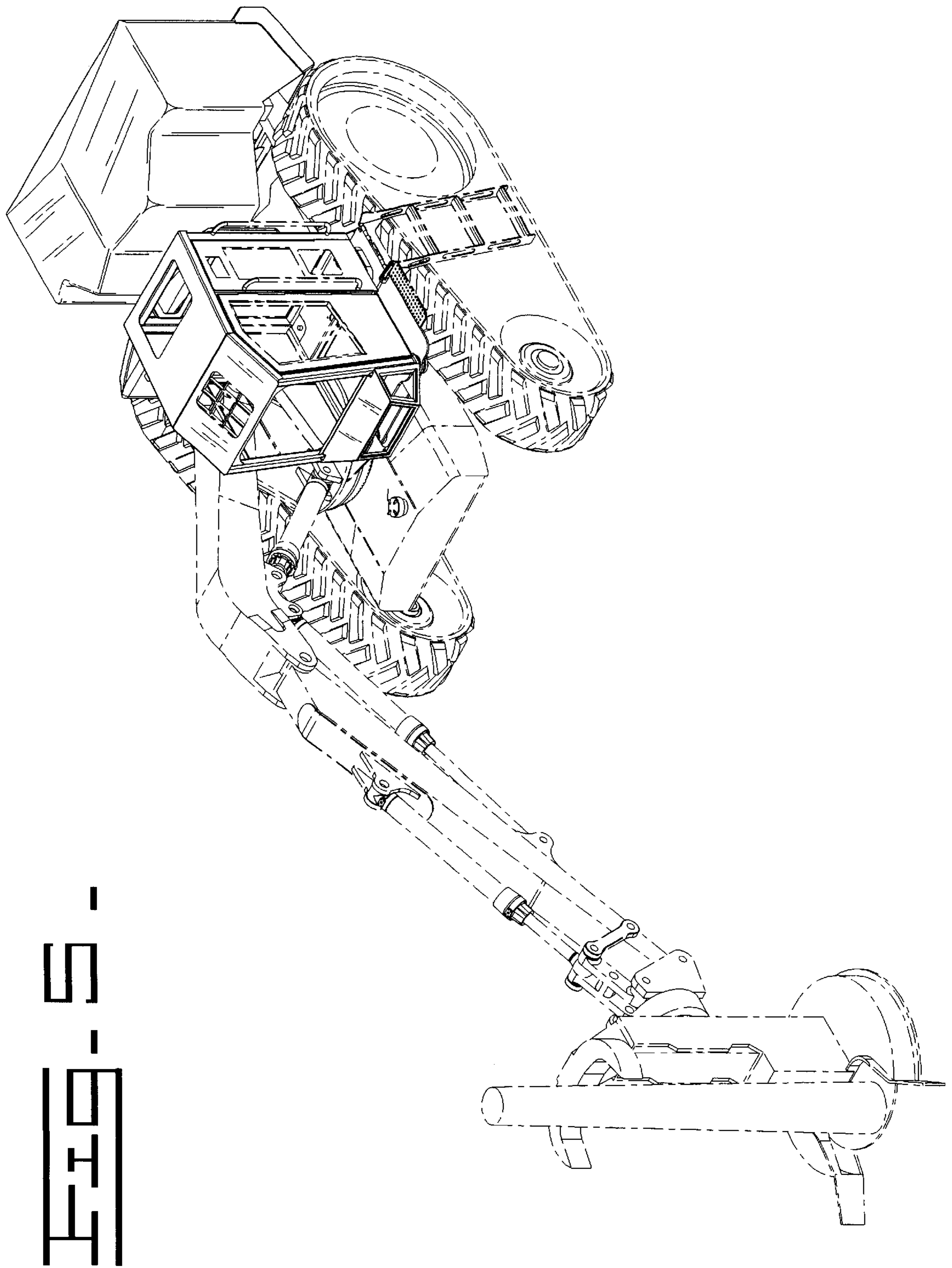


FIG. 5

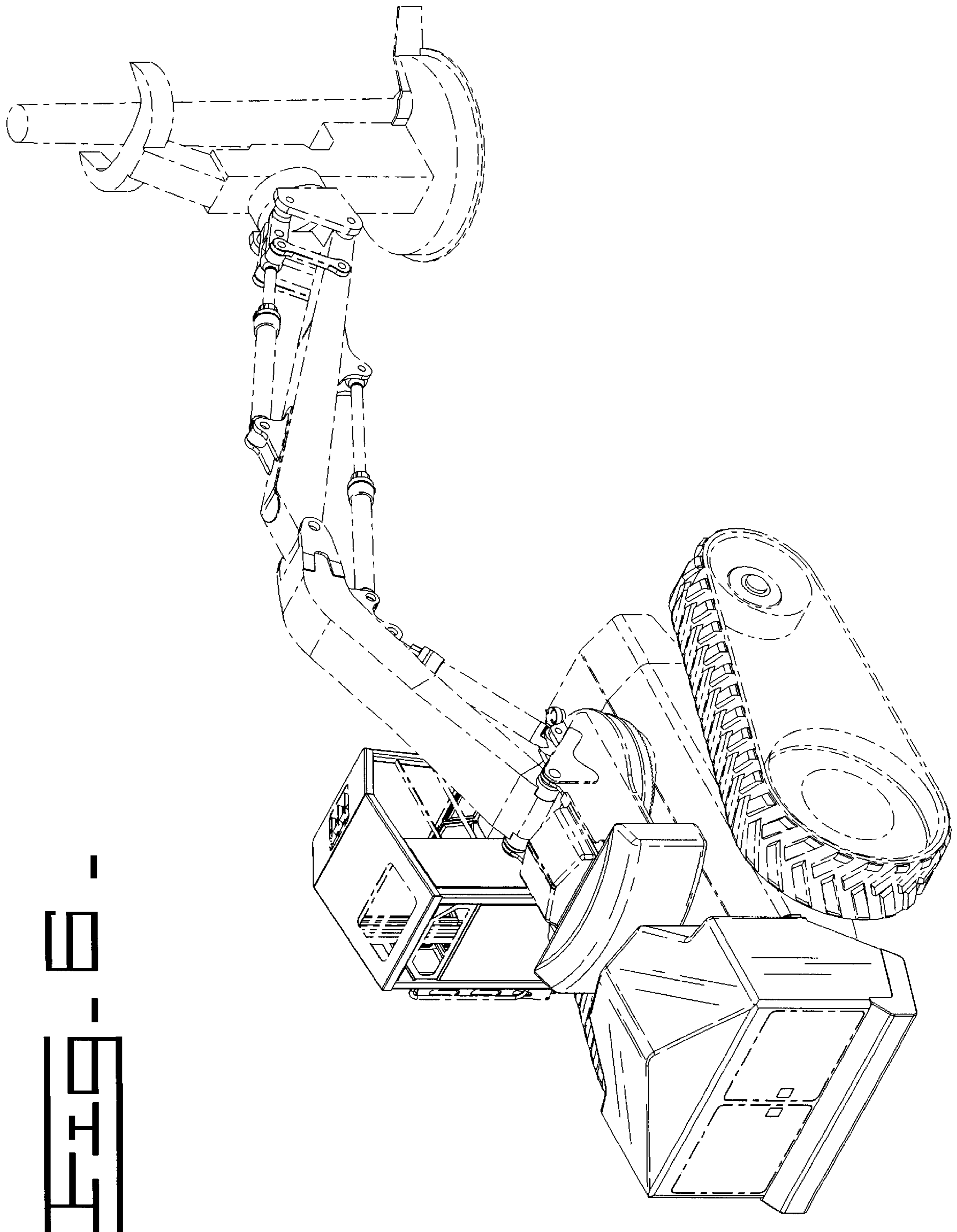


FIG. 6

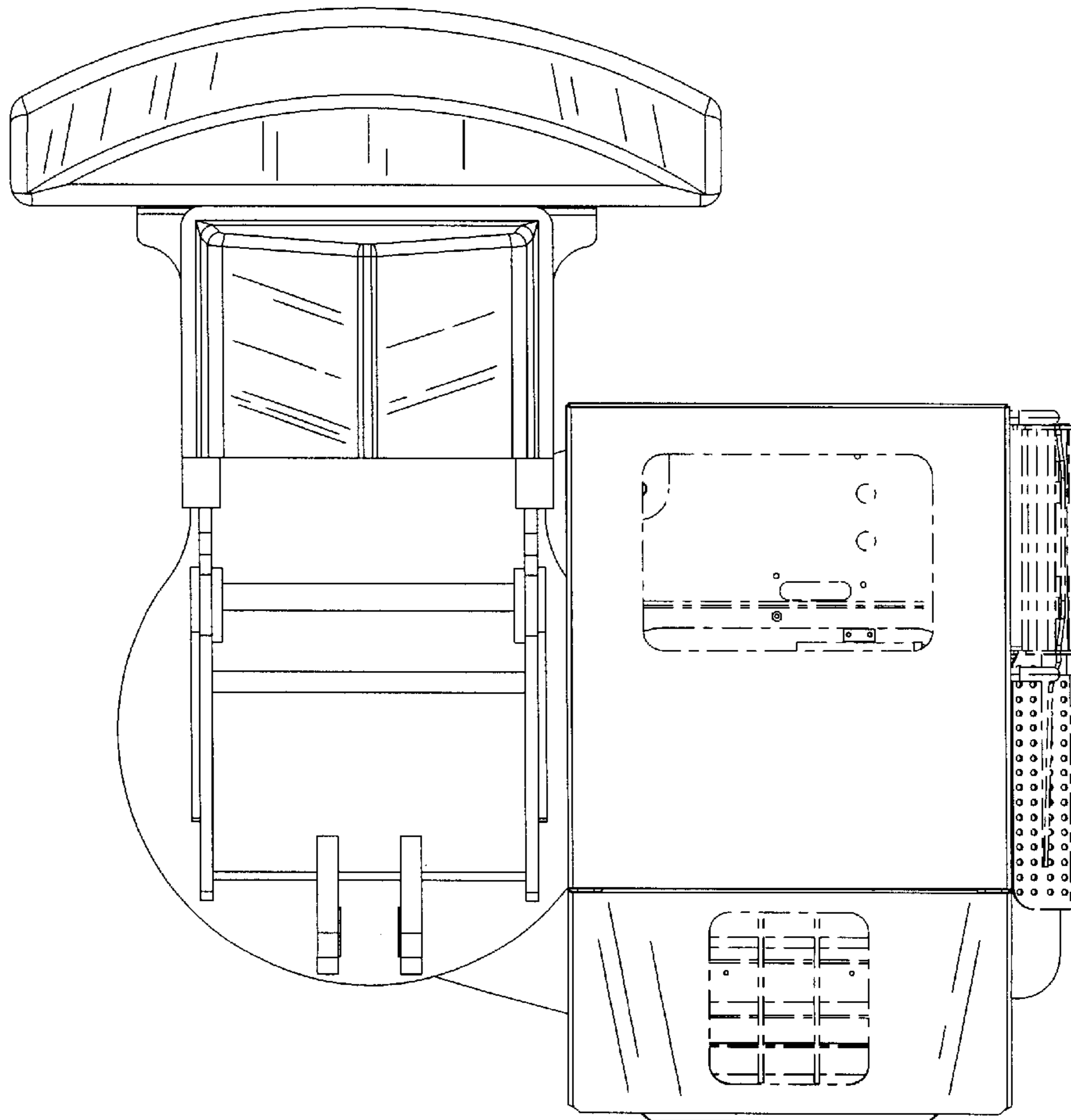
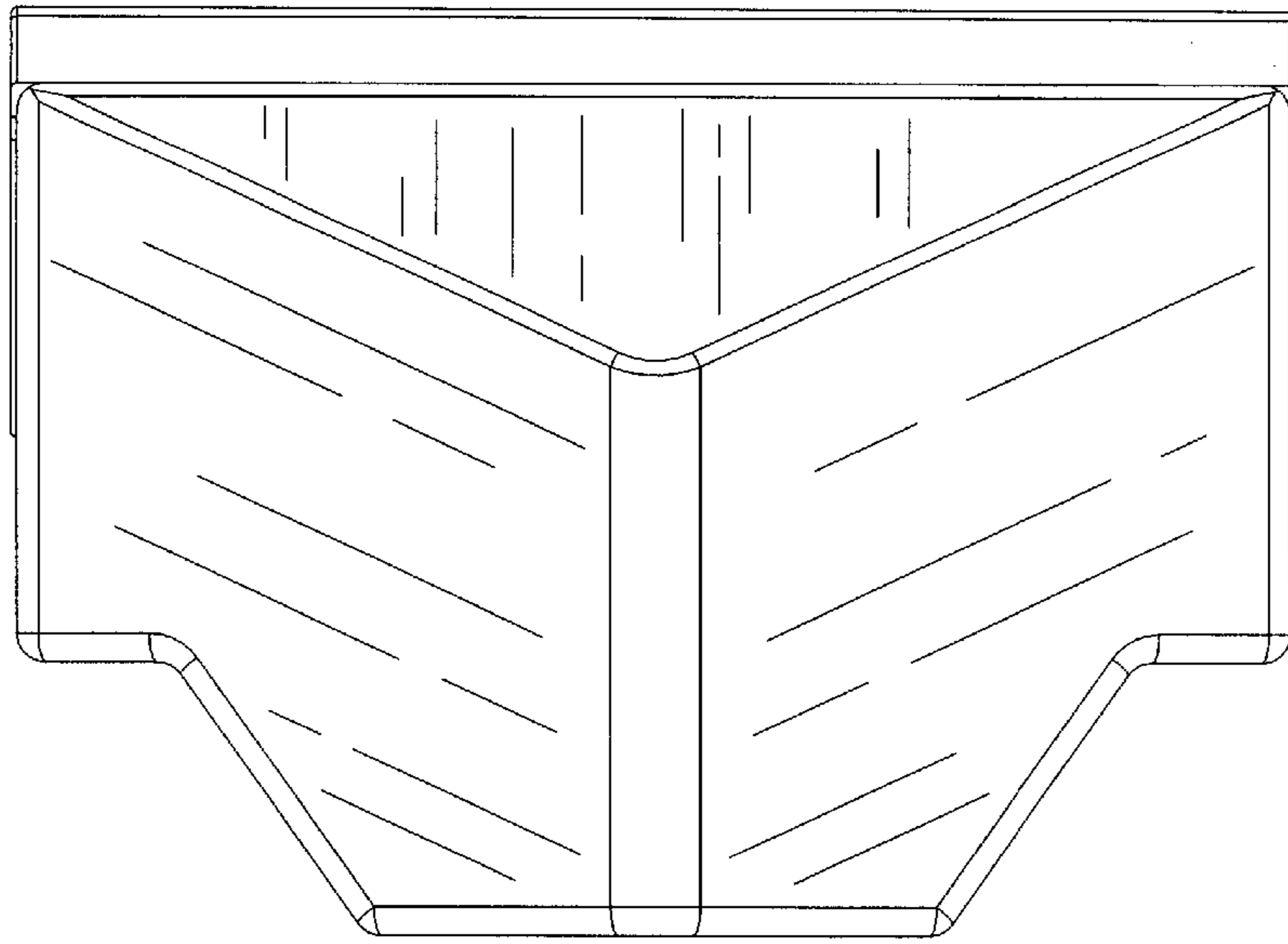


FIG. 7



FIG. 8

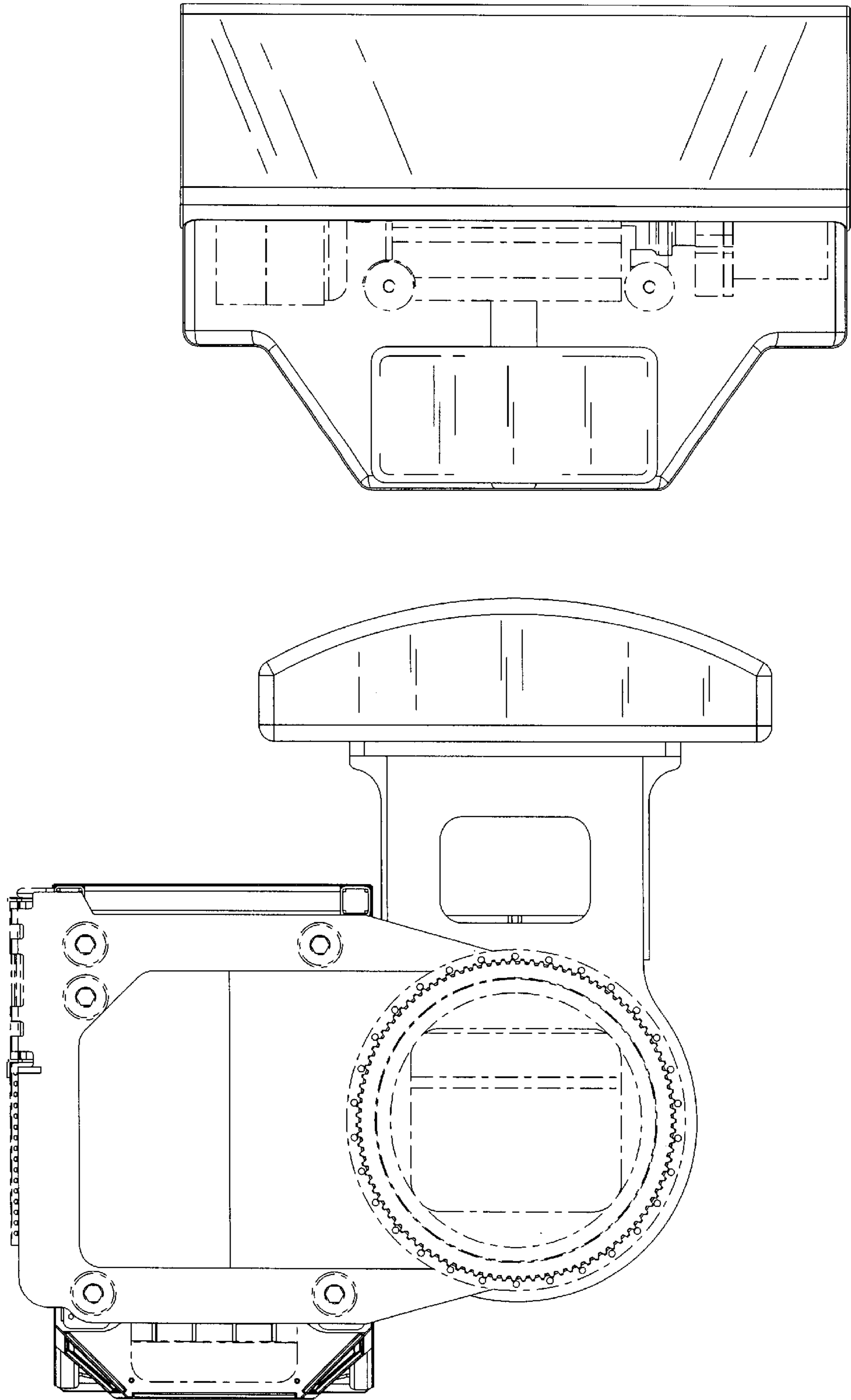
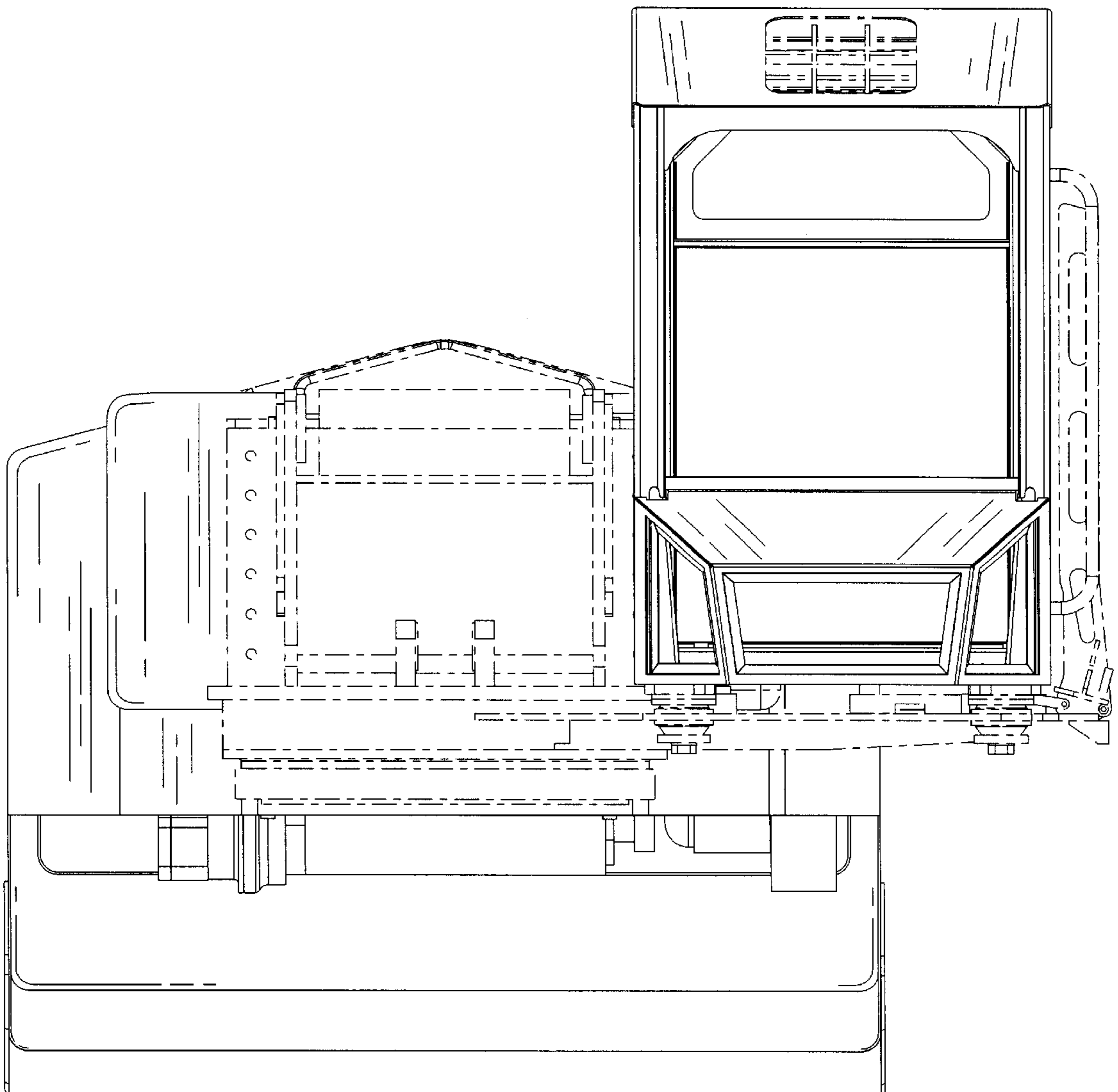


FIG. 9.



**FIG. 10.**

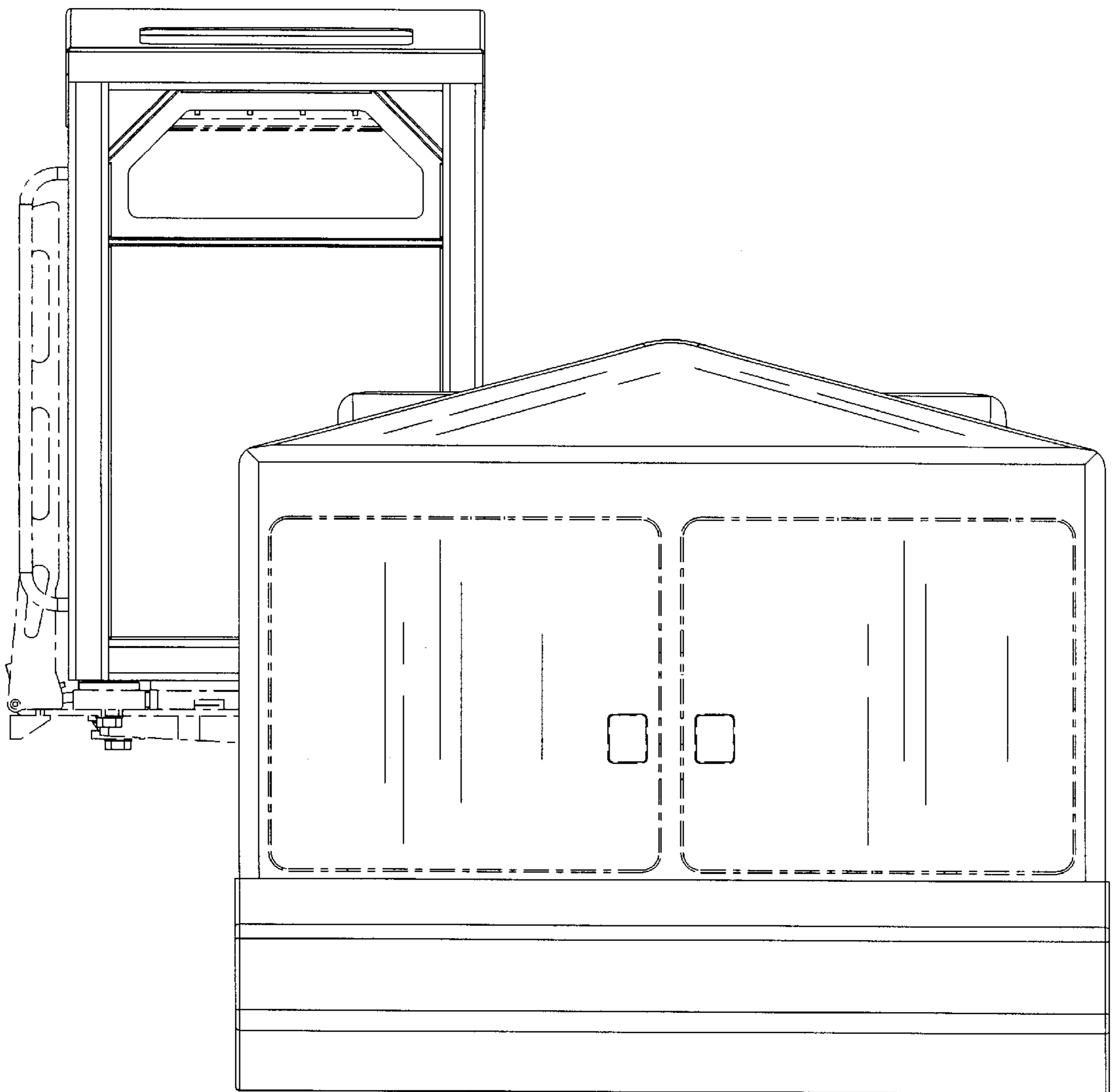
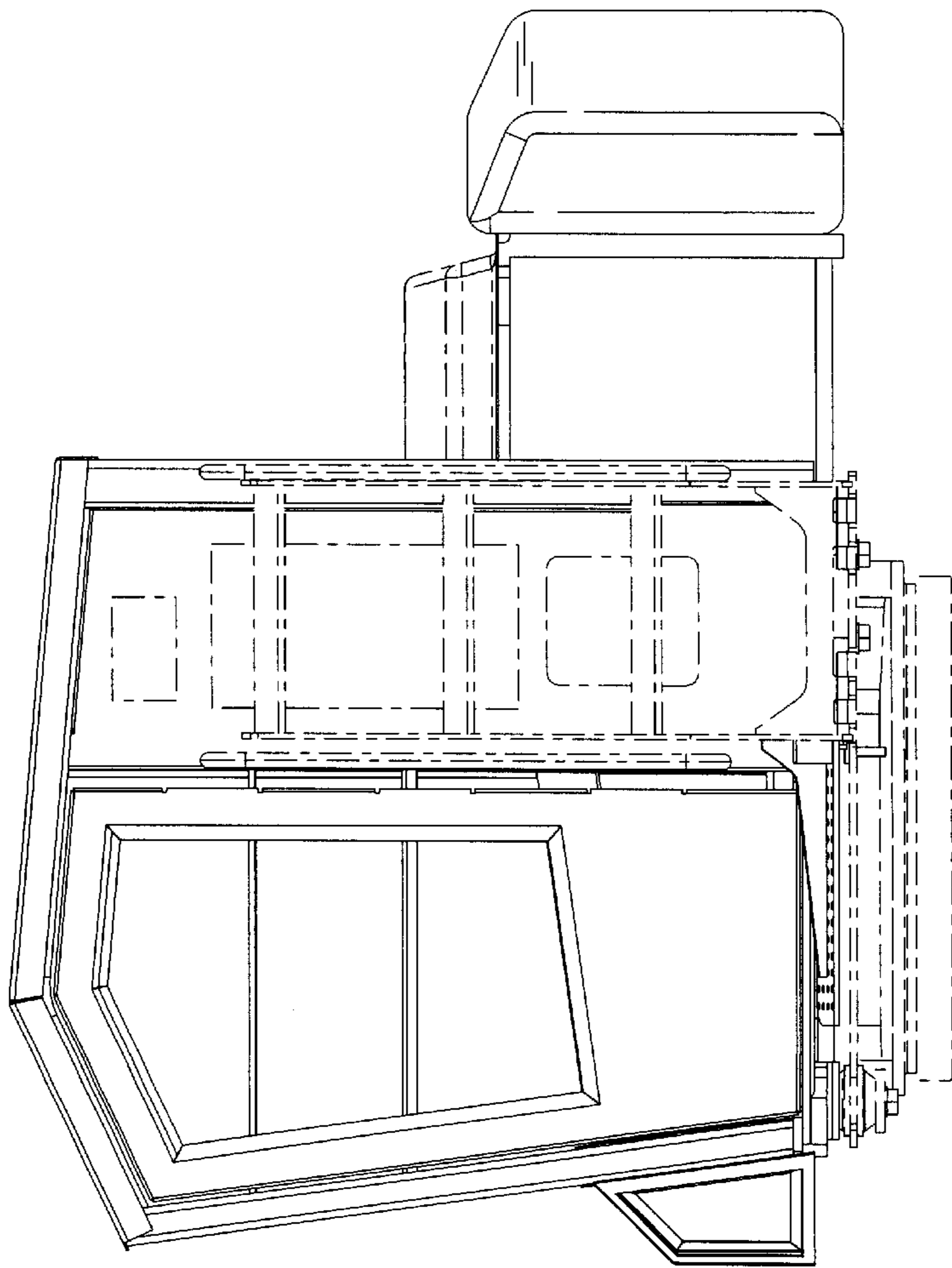
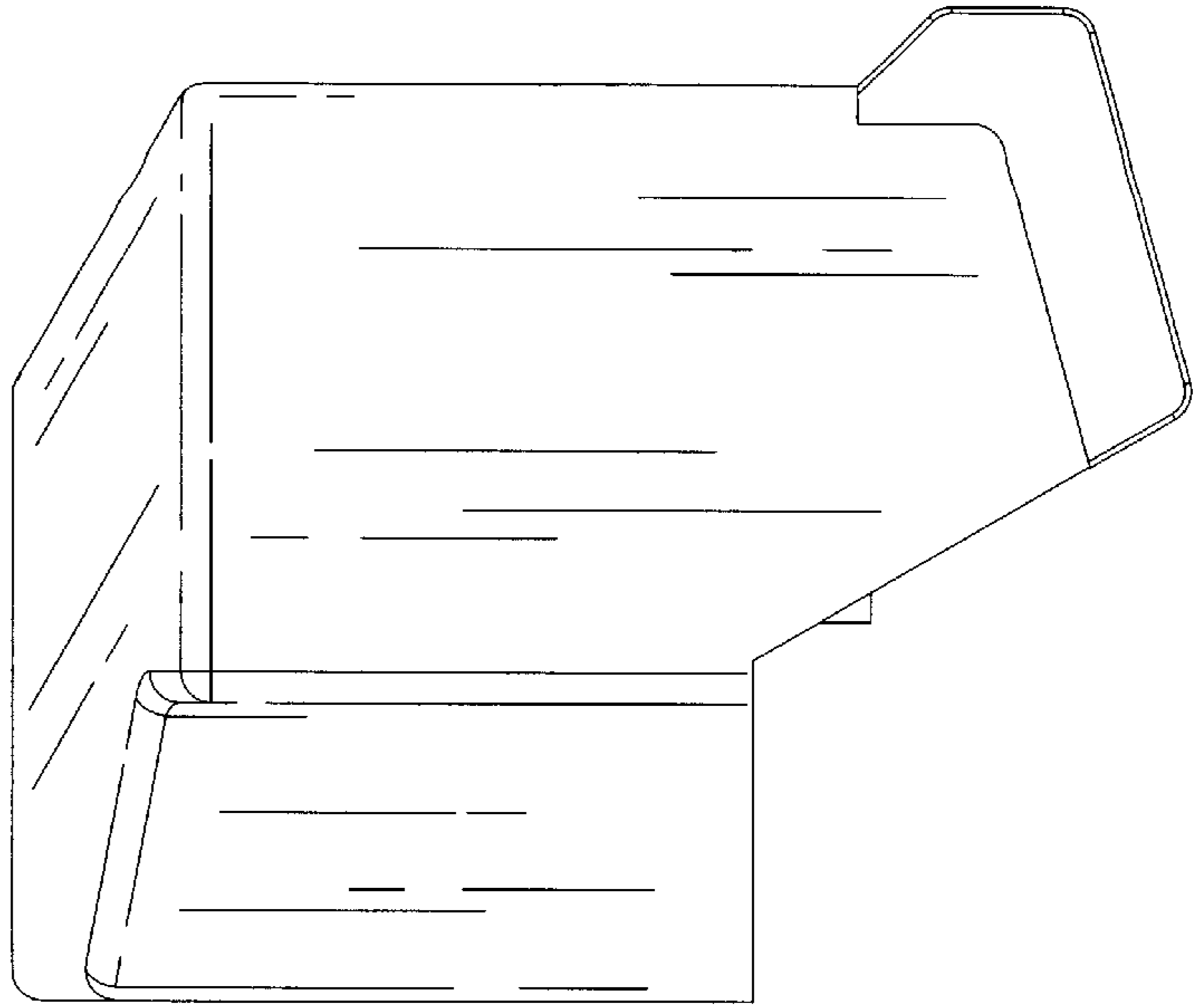


FIG. 11





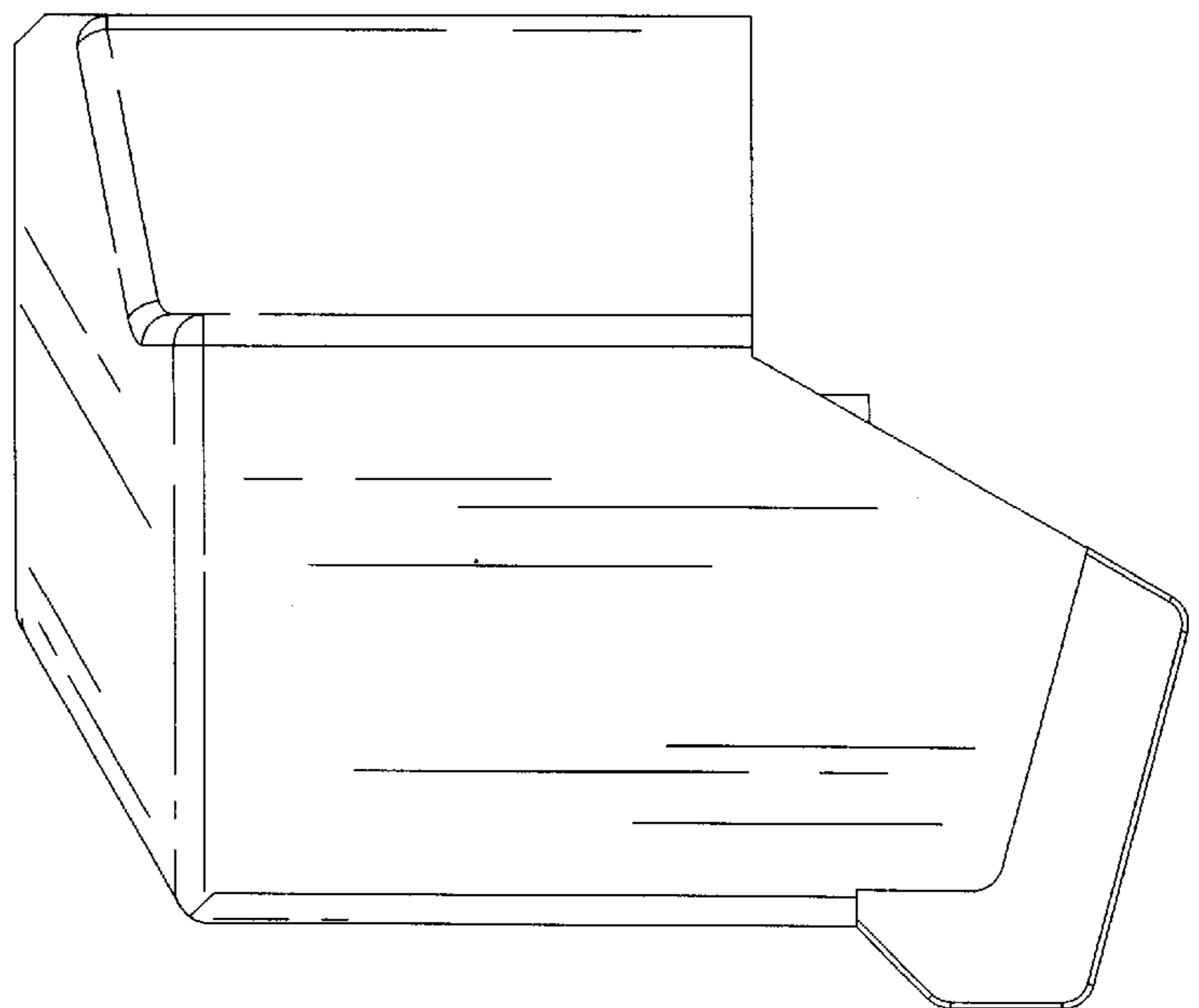
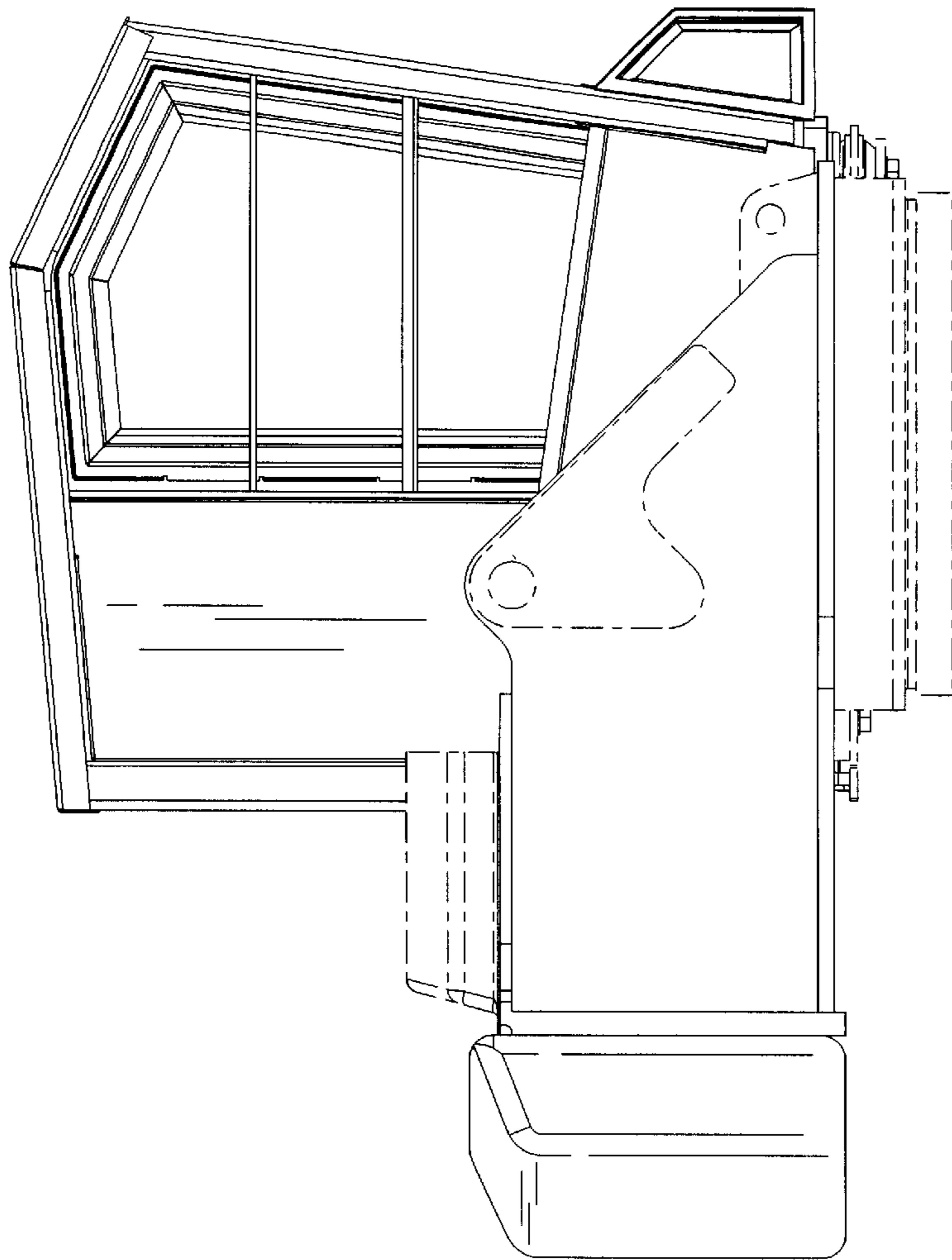


FIG. 12