



US00D451932B1

(12) **United States Design Patent**
Dockery

(10) **Patent No.:** **US D451,932 S**

(45) **Date of Patent:** **** Dec. 11, 2001**

(54) **ATTACHMENT FOR TRIMMER**

(76) **Inventor:** **Daryl Ray Dockery**, 1432 Ammons Rd., Ponce De Leon, FL (US) 32455

(**) **Term:** **14 Years**

(21) **Appl. No.:** **29/133,025**

(22) **Filed:** **Nov. 21, 2000**

(51) **LOC (7) Cl.** **15-03**

(52) **U.S. Cl.** **D15/28**

(58) **Field of Search** D15/17, 28, 10;
56/12.7, 16.7, 17.1, 17.2, 17.5

(56) **References Cited**

U.S. PATENT DOCUMENTS

- D. 356,583 * 3/1995 Cordova D15/17
- D. 402,297 * 12/1998 Rappolt D15/17

* cited by examiner

Primary Examiner—Mitchell Siegel

(74) *Attorney, Agent, or Firm*—George A. Bode; Bode & Associates

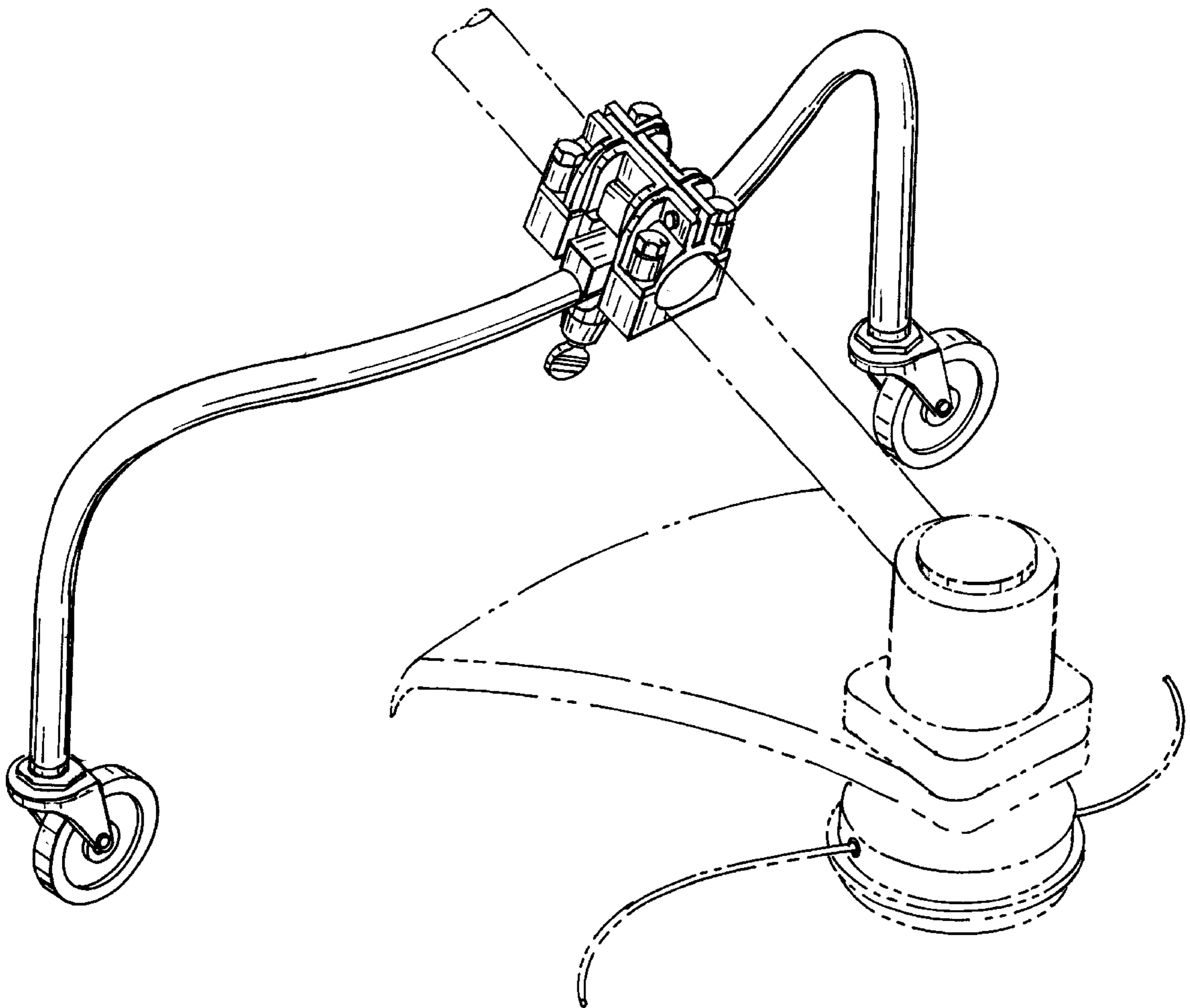
(57) **CLAIM**

The ornamental design for an attachment for trimmer, as shown and described.

DESCRIPTION

FIG. 1 is a front elevational view of an attachment for trimmer showing my new design;
 FIG. 2 is a top plan view thereof;
 FIG. 3 is a rear inverted elevational view thereof;
 FIG. 4 is a bottom plan view thereof;
 FIG. 5 is a left side elevational view thereof, the right side being a mirror image thereof; and,
 FIG. 6 is a front, left side and top perspective view thereof, illustrating the device operably attached to a trimmer, the broken lines showing of trimmer is for illustrative purposes only and forms no part of the claimed design.

1 Claim, 4 Drawing Sheets



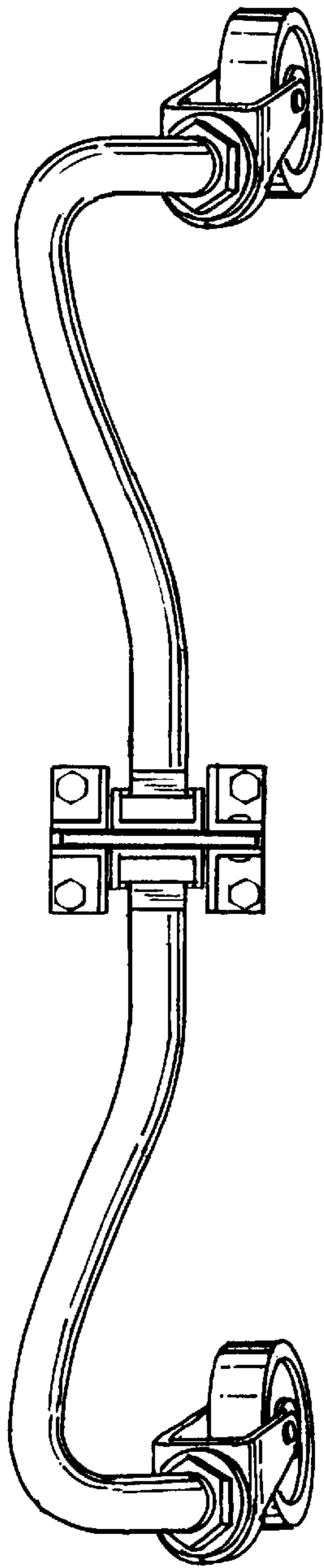


FIG. 2

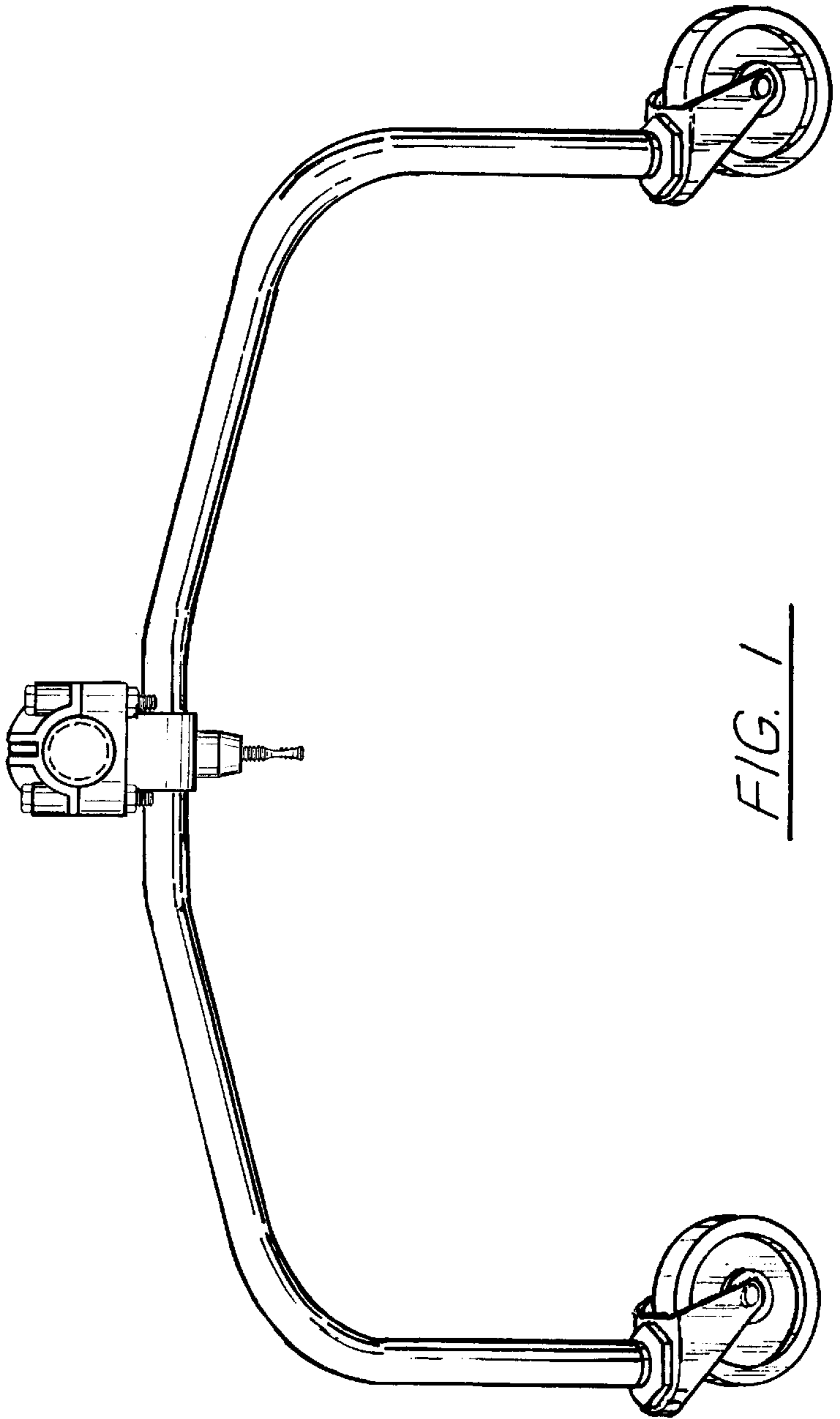
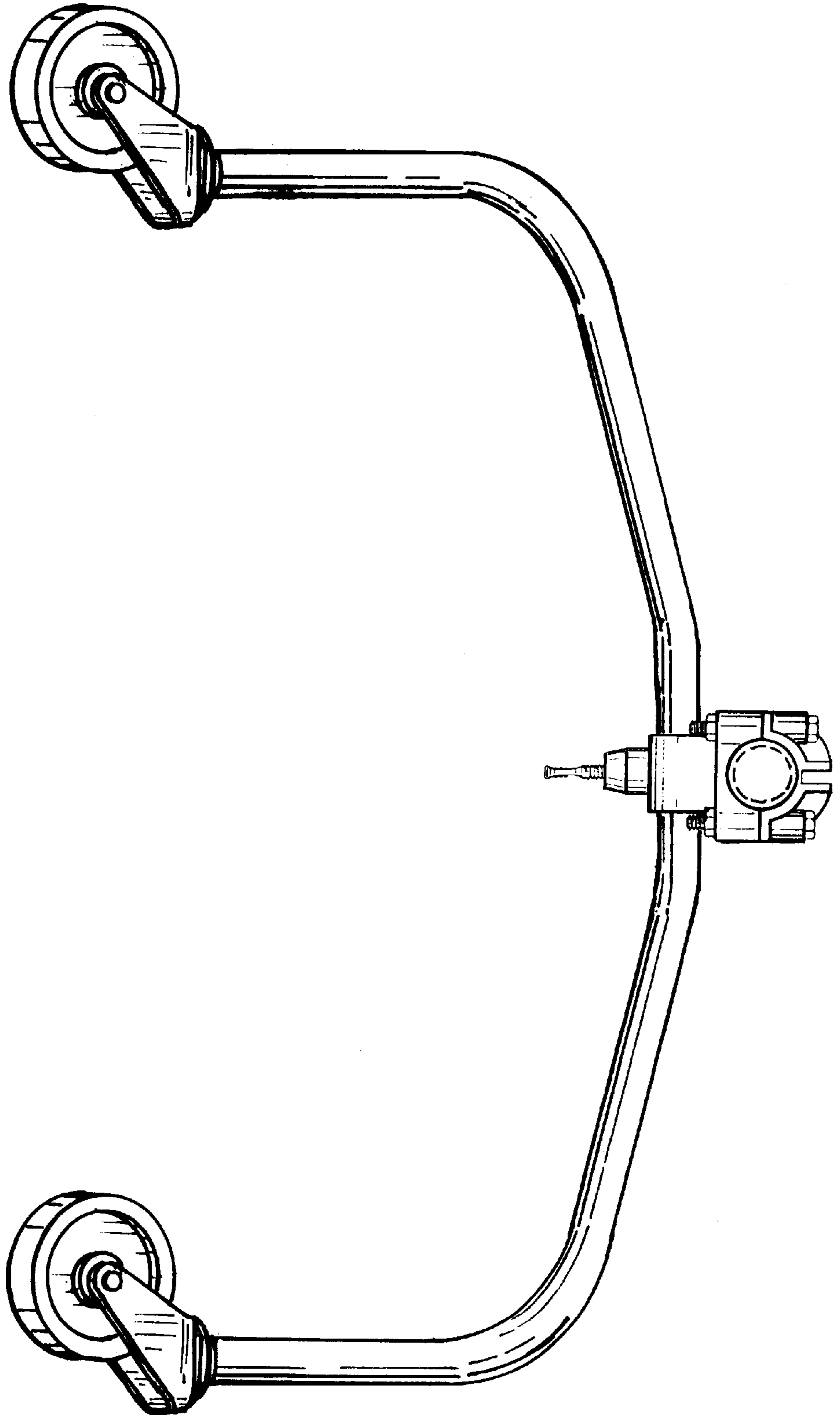


FIG. 1

FIG. 3



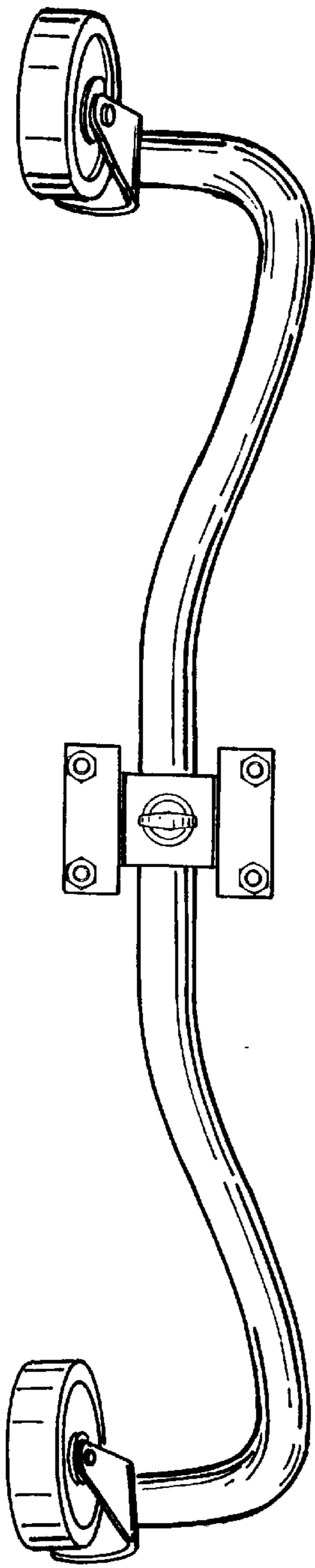
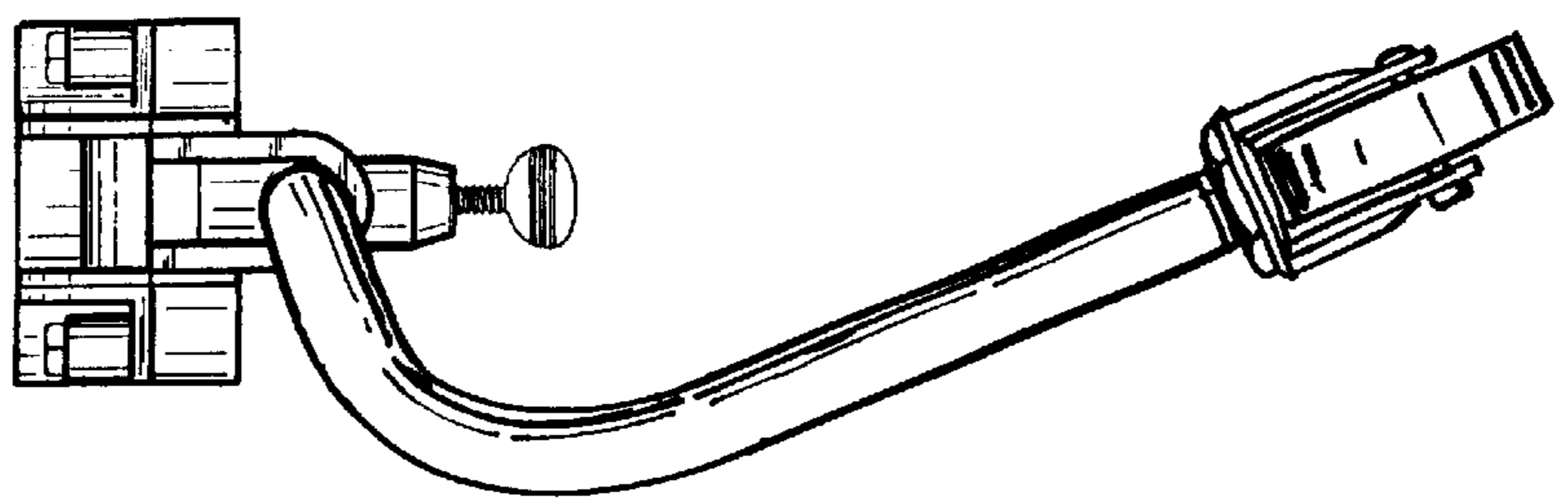


FIG. 4

FIG. 5



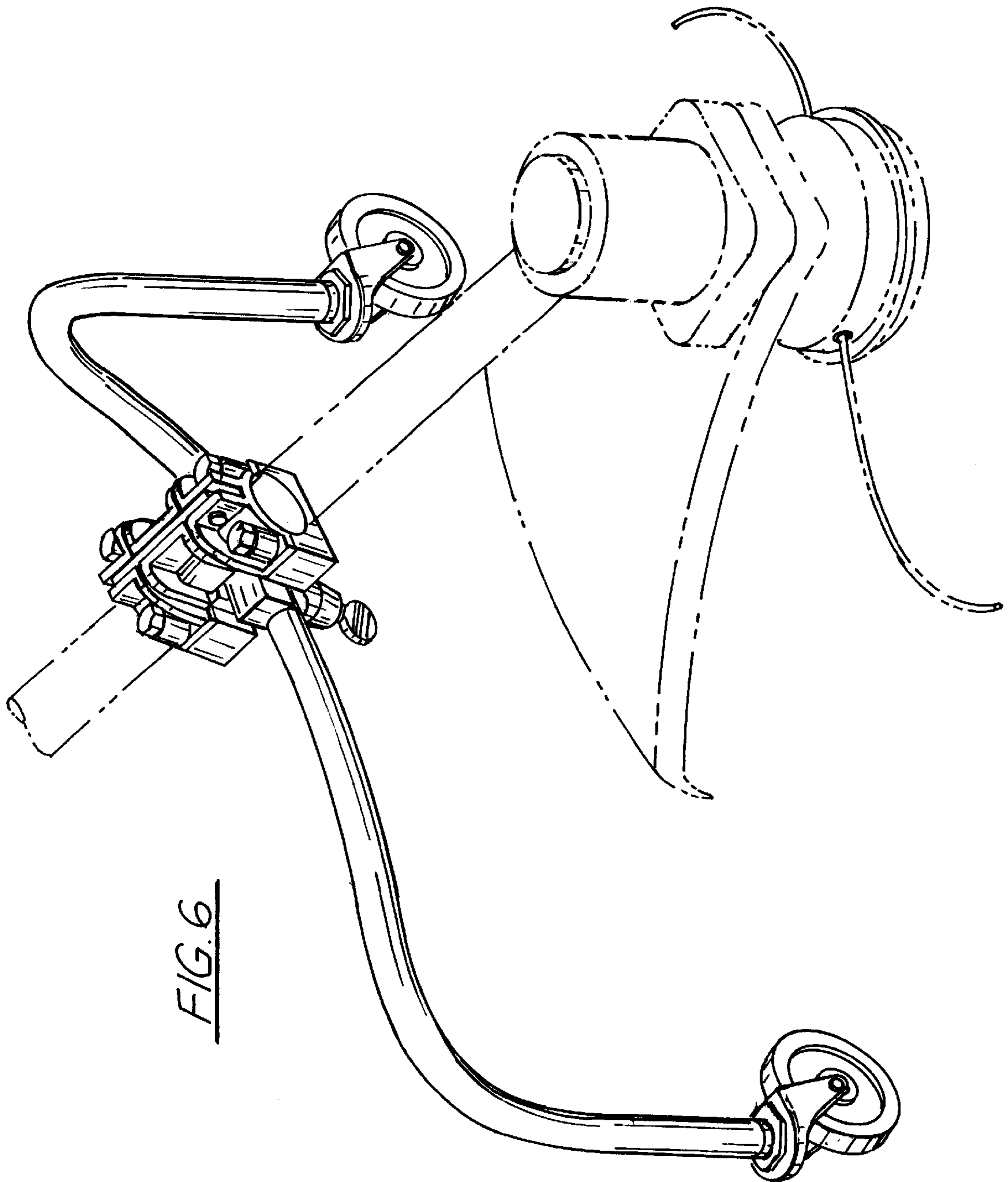


FIG. 6