



US00D451925B1

(12) **United States Design Patent**
Williams

(10) **Patent No.:** **US D451,925 S**

(45) **Date of Patent:** **** Dec. 11, 2001**

(54) **COMBINED POWER EXHAUST STACK AND COMPUTER**

(75) **Inventor:** **John Williamson Williams**, Chapel Hill, NC (US)

(73) **Assignee:** **contrapposto, inc.**, Chapel Hill, NC (US)

(**) **Term:** **14 Years**

(21) **Appl. No.:** **29/119,658**

(22) **Filed:** **Mar. 3, 2000**

(51) **LOC (7) Cl.** **14-02**

(52) **U.S. Cl.** **D14/439**

(58) **Field of Search** D14/432, 439;
361/688, 694-7, 814; 55/385.4, 385.6;
D26/122; D23/370-1, 393, 394, 355, 386

(56) **References Cited**

U.S. PATENT DOCUMENTS

2,735,964	2/1956	Grieve et al.	317/101
2,912,624	11/1959	Wagner	317/100
3,016,813	1/1962	Frasier et al.	98/1
4,699,051	* 10/1987	Jezbera .	
5,400,217	3/1995	Whitson et al.	361/695
5,422,787	* 6/1995	Gourdine .	
5,497,825	3/1996	Yu	165/11.1
5,559,673	9/1996	Gagnon et al.	361/695
5,706,170	1/1998	Glovatsky et al.	361/695
5,725,622	3/1998	Whitson et al.	55/385.4
5,886,639	* 3/1999	Behl et al. .	
5,917,697	6/1999	Wang	361/695

5,917,698	6/1999	Viallet	361/695
6,021,042	* 2/2000	Anderson et al. .	
6,151,211	* 11/2000	Dayan et al. .	
6,163,453	* 12/2000	Hou et al. .	

OTHER PUBLICATIONS

Products Illustrated at Web Site <http://www.computersdivine.com/main.htm>, Copyright 2000/Computers Divine Inc.(Jan. 5, 2000).

* cited by examiner

Primary Examiner—M. H. Tung

(74) *Attorney, Agent, or Firm*—Myers Bigel Sibley & Sajovec, P.A.

(57) **CLAIM**

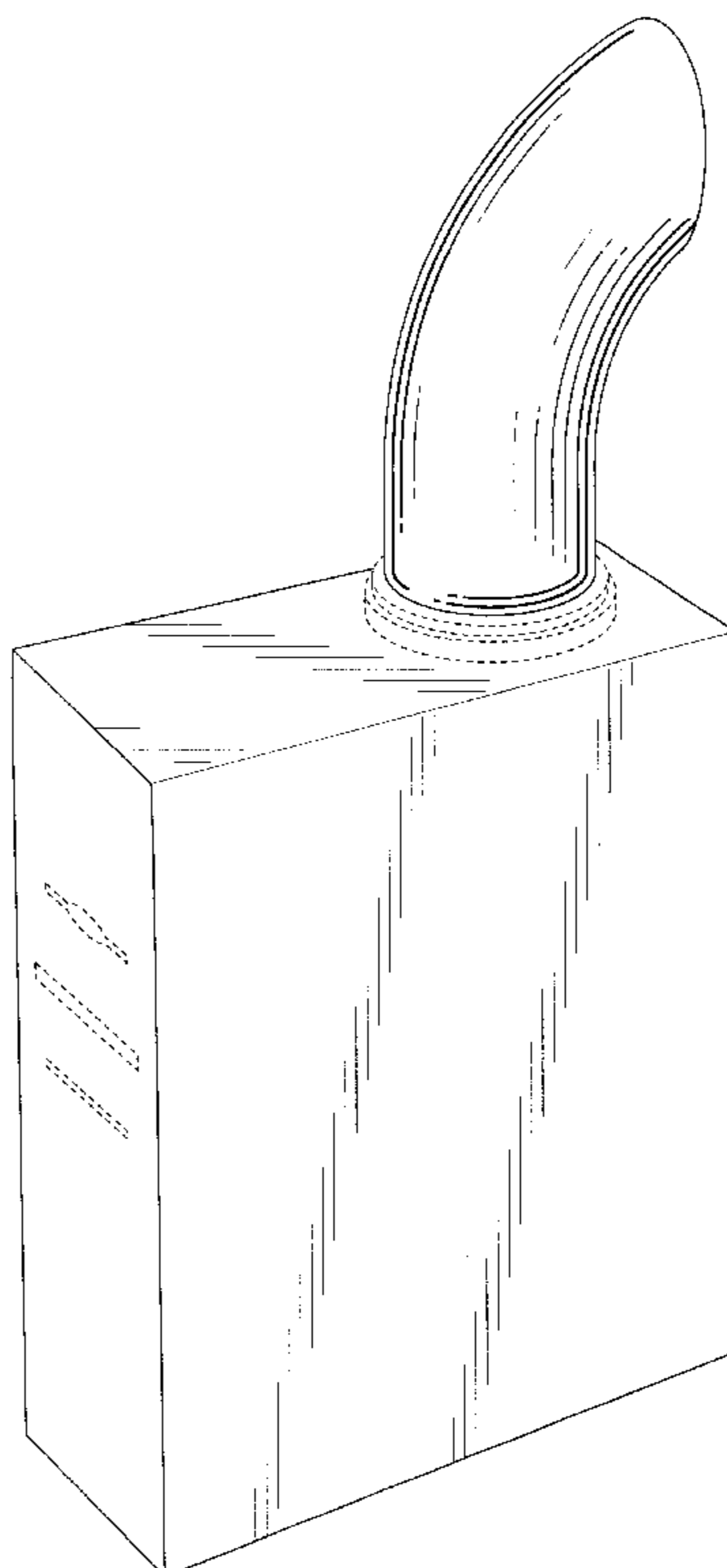
The ornamental design for a combined power exhaust stack and computer, as shown and described.

DESCRIPTION

FIG. 1 is a perspective view of the combined power exhaust stack and computer showing my design;
FIG. 2 is a first side view thereof;
FIG. 3 is a front view thereof;
FIG. 4 is an opposing side view thereof;
FIG. 5 is a top view thereof;
FIG. 6 is a rear view; and,
FIG. 7 is a bottom view.

The broken line drawing of the stepped junction and details on the front of the computer are for illustrative purposes only and form no part of the claimed design.

1 Claim, 4 Drawing Sheets



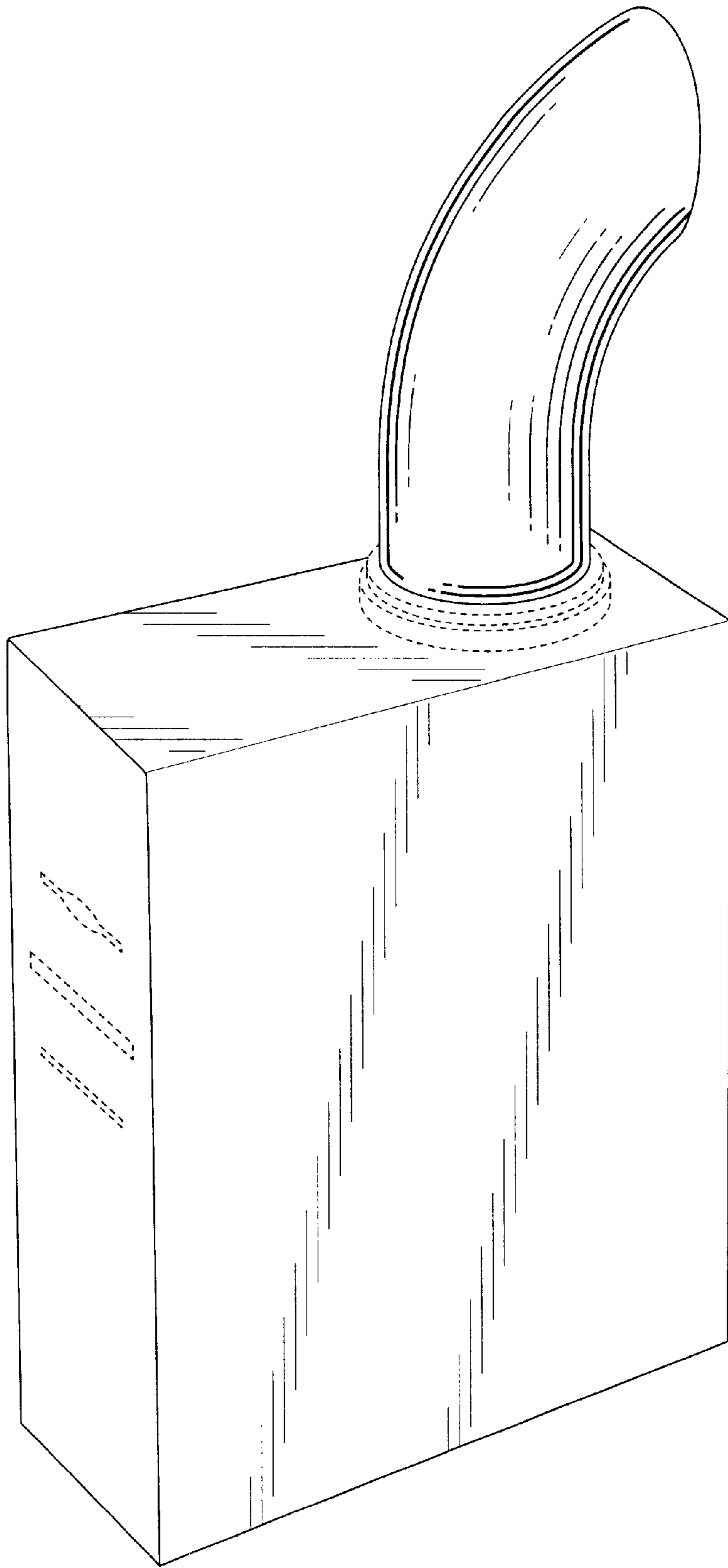


FIG. 1.

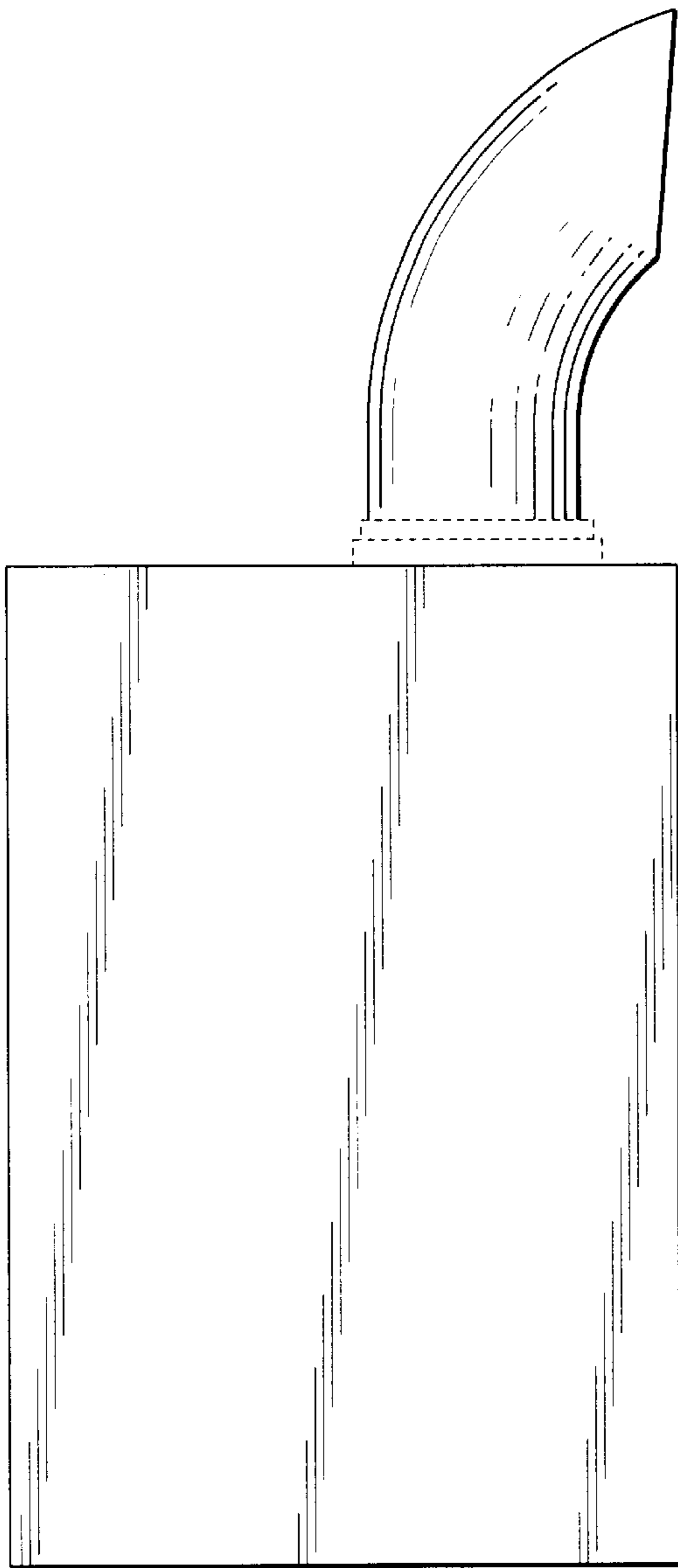


FIG. 2.

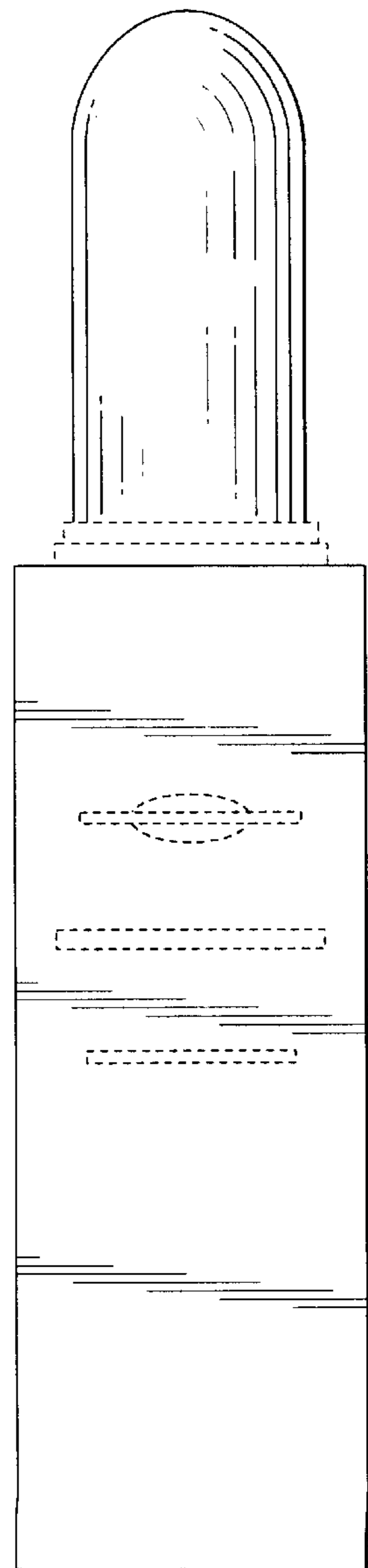


FIG. 3.

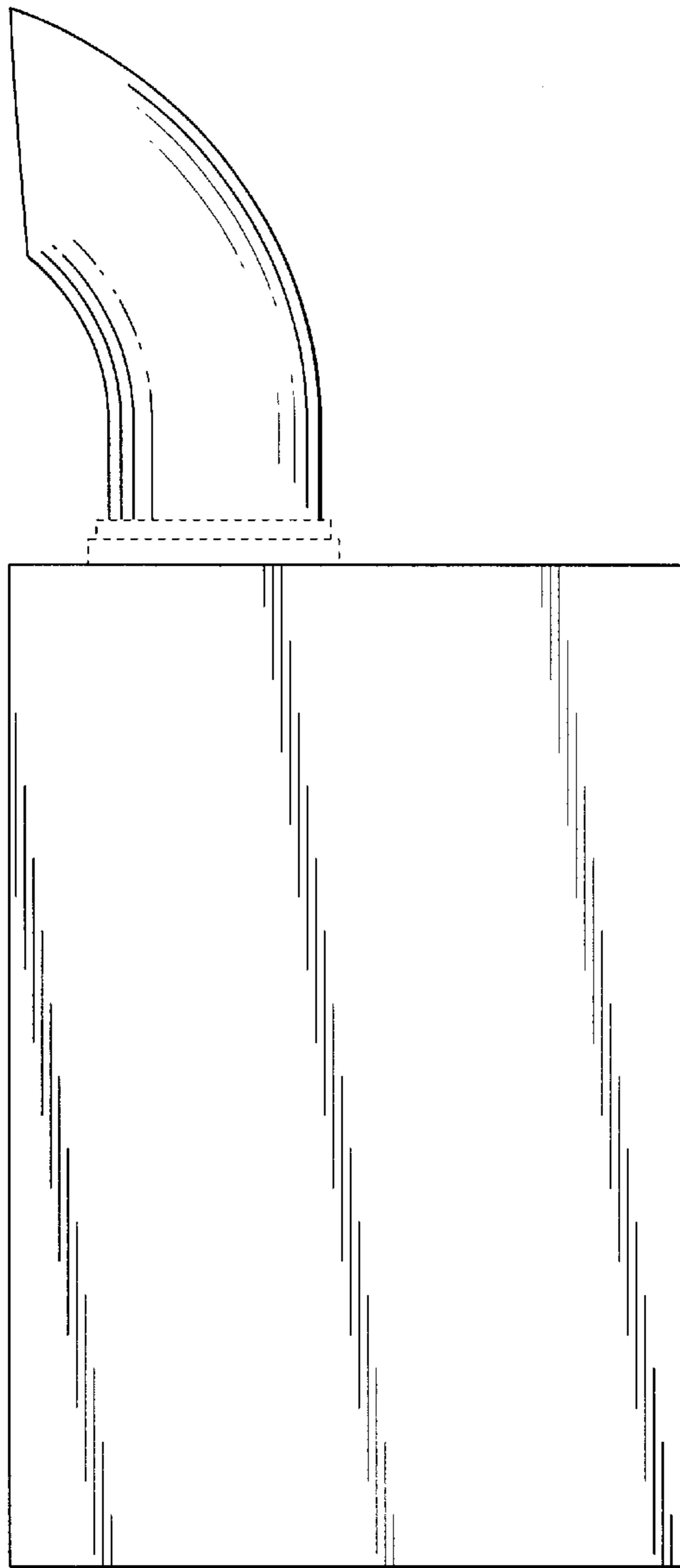


FIG. 4.

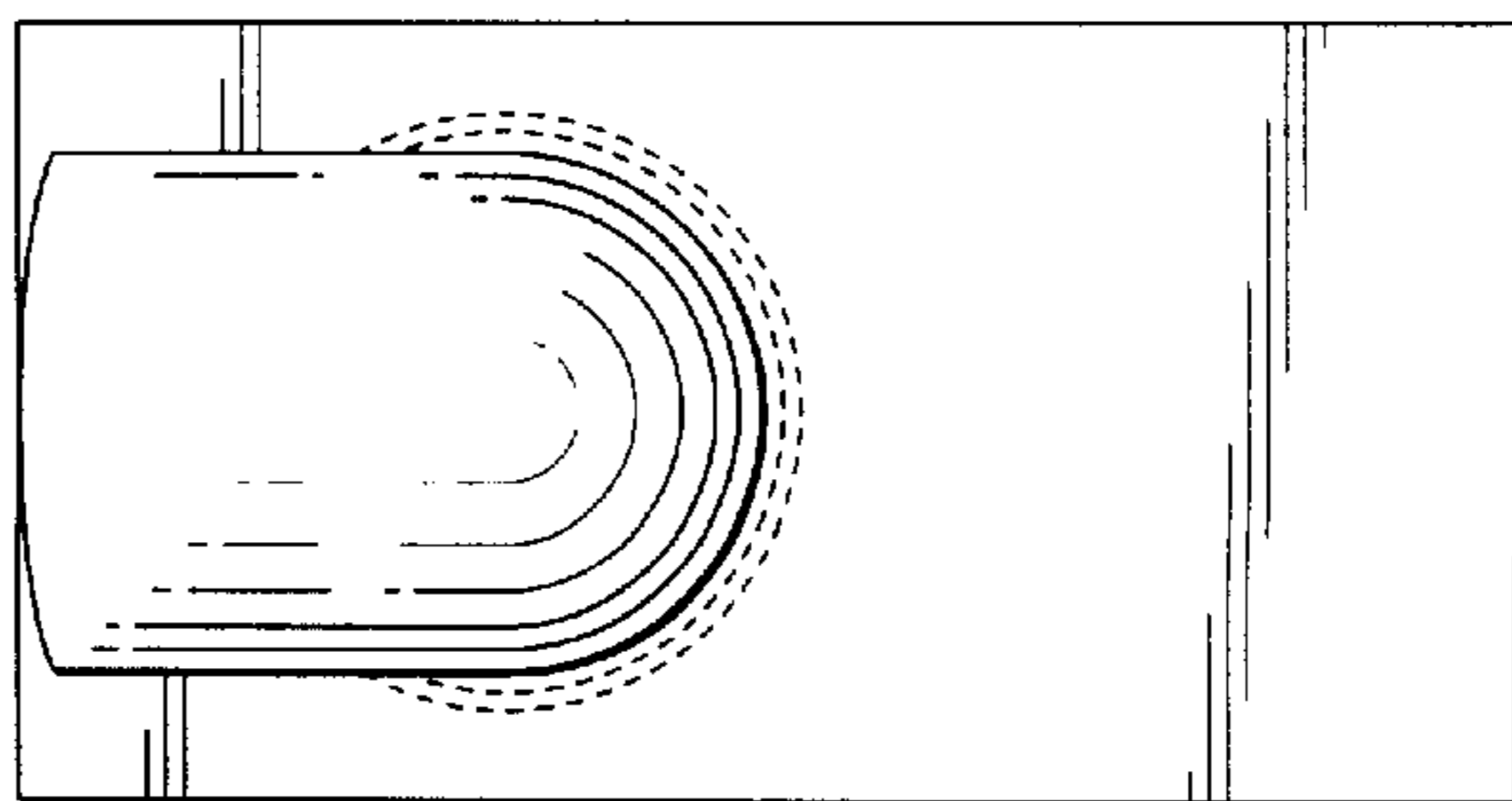


FIG. 5.

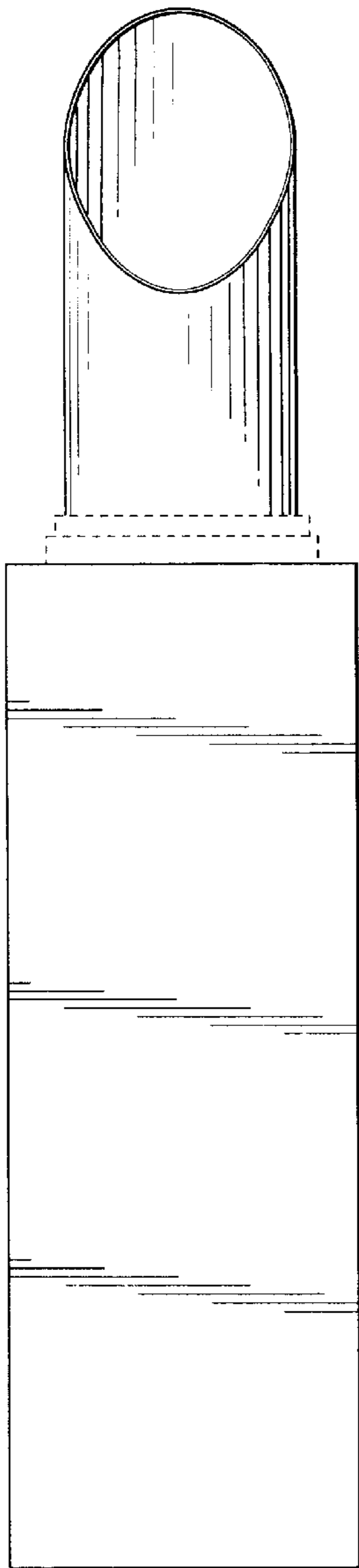


FIG. 6.

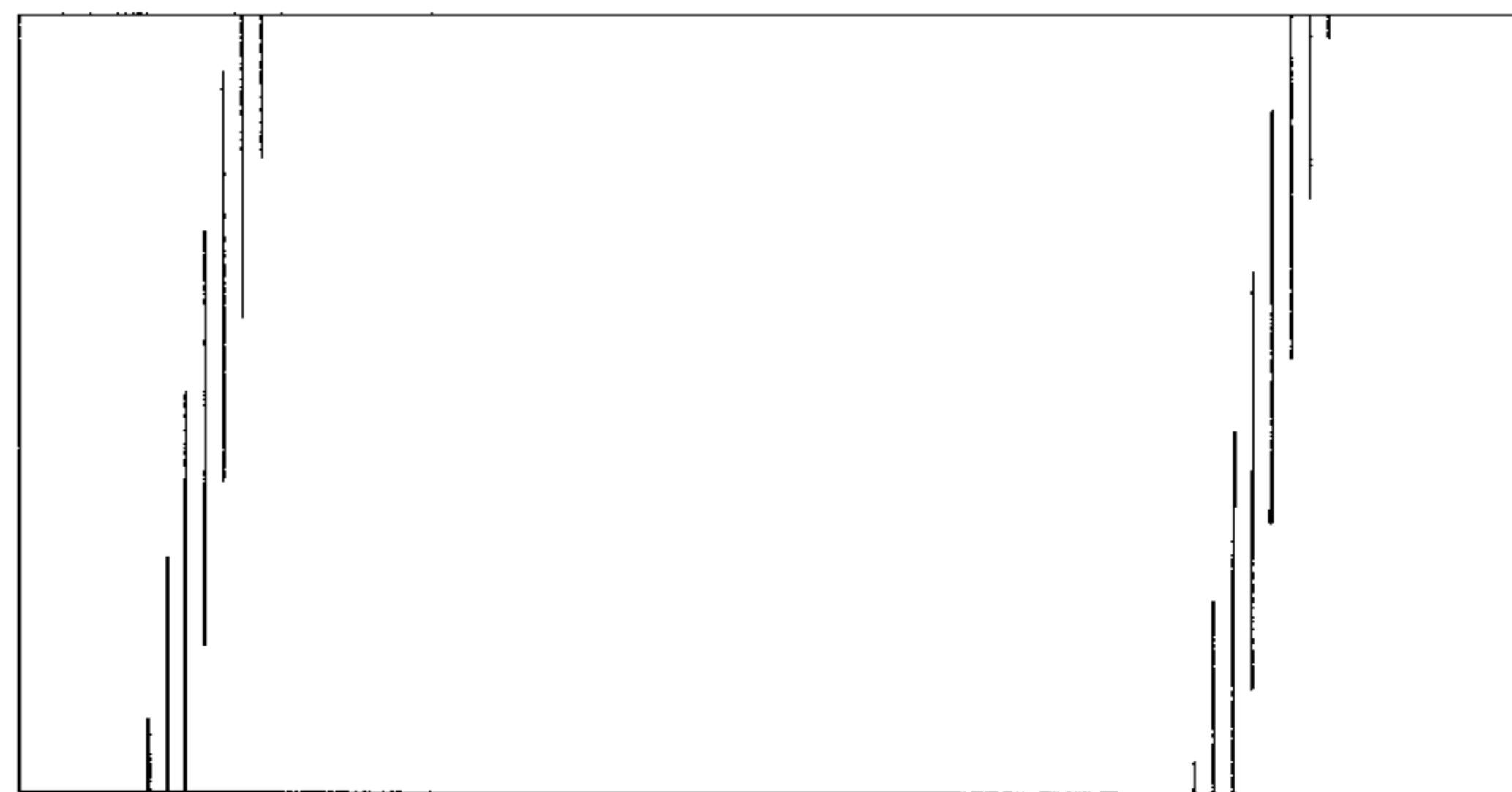


FIG. 7.