



US00D451919B1

(12) **United States Design Patent**
Abboud

(10) **Patent No.:** **US D451,919 S**

(45) **Date of Patent:** **** Dec. 11, 2001**

(54) **MODULAR EXTERNAL PERIPHERAL HOUSING**

5,519,572 * 5/1996 Luo 361/685
6,141,221 * 10/2000 Tong et al. 361/724
6,147,859 * 11/2000 Abboud 361/683

(76) Inventor: **Pierre Abboud**, 17642 Bessemer St.,
Encino, CA (US) 91316

* cited by examiner

(**) Term: **14 Years**

Primary Examiner—Freda Nunn
(74) *Attorney, Agent, or Firm*—Fulwider Patton Lee &
Utecht, LLP

(21) Appl. No.: **29/132,719**

(22) Filed: **Nov. 13, 2000**

(57) **CLAIM**

Related U.S. Application Data

The ornamental design for a modular external peripheral housing, as shown and described.

(63) Continuation of application No. 09/376,787, filed on Aug. 18, 1999, now Pat. No. 6,147,859.

DESCRIPTION

(51) **LOC (7) Cl.** **14-02**
(52) **U.S. Cl.** **D14/356**
(58) **Field of Search** D14/314, 348,
D14/353, 355, 356, 361–363; D13/162,
184, 199; D6/432, 436, 445, 448; 312/223.1–223.3;
361/680–686, 724

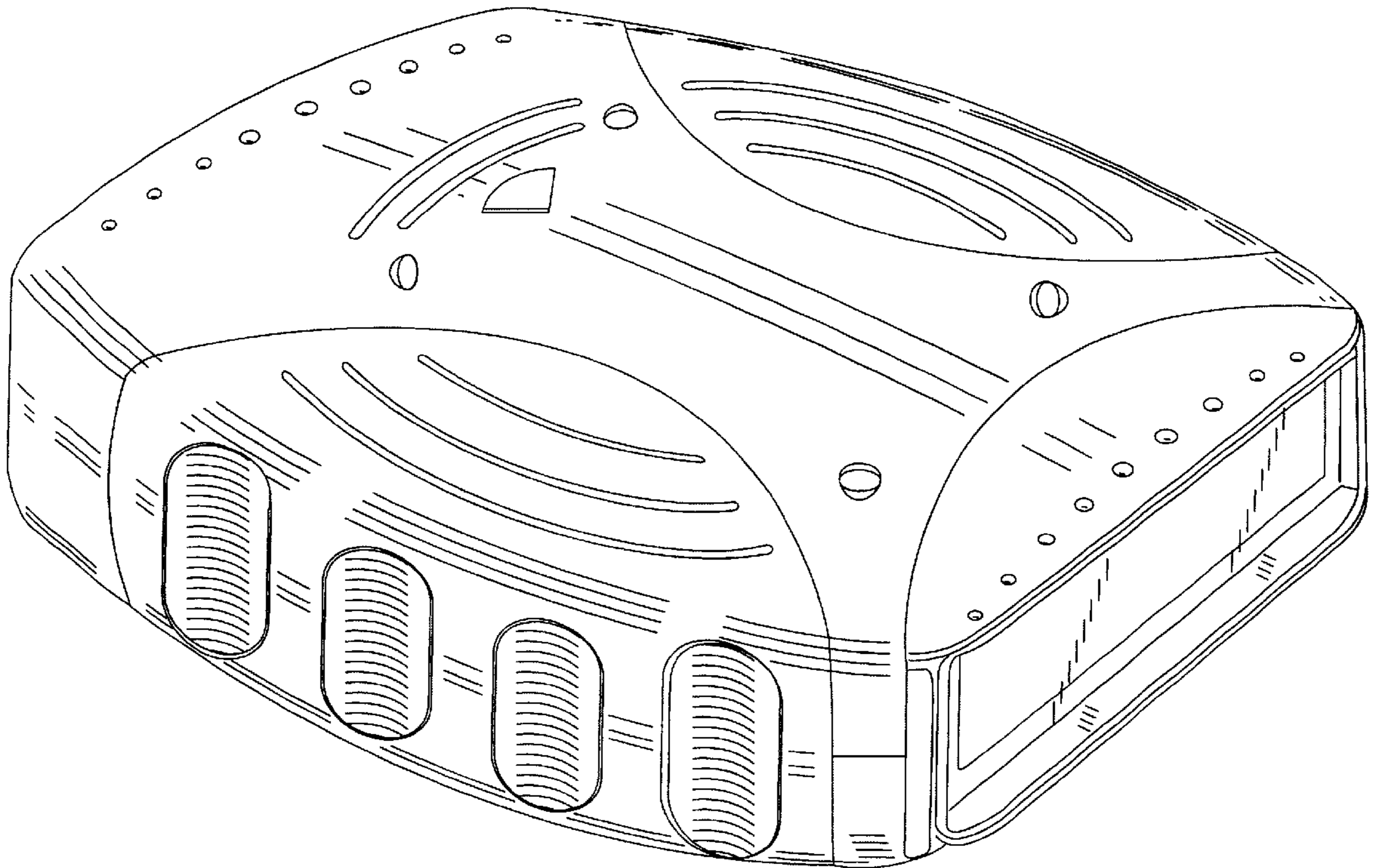
FIG. 1 is a forward perspective view of my new design;
FIG. 2 is a front view thereof;
FIG. 3 is a top view thereof;
FIG. 4 is a bottom view thereof;
FIG. 5 is a side view thereof; and,
FIG. 6 is a rear view thereof.

(56) **References Cited**

U.S. PATENT DOCUMENTS

D. 347,212 * 5/1994 Riley D14/355

1 Claim, 4 Drawing Sheets



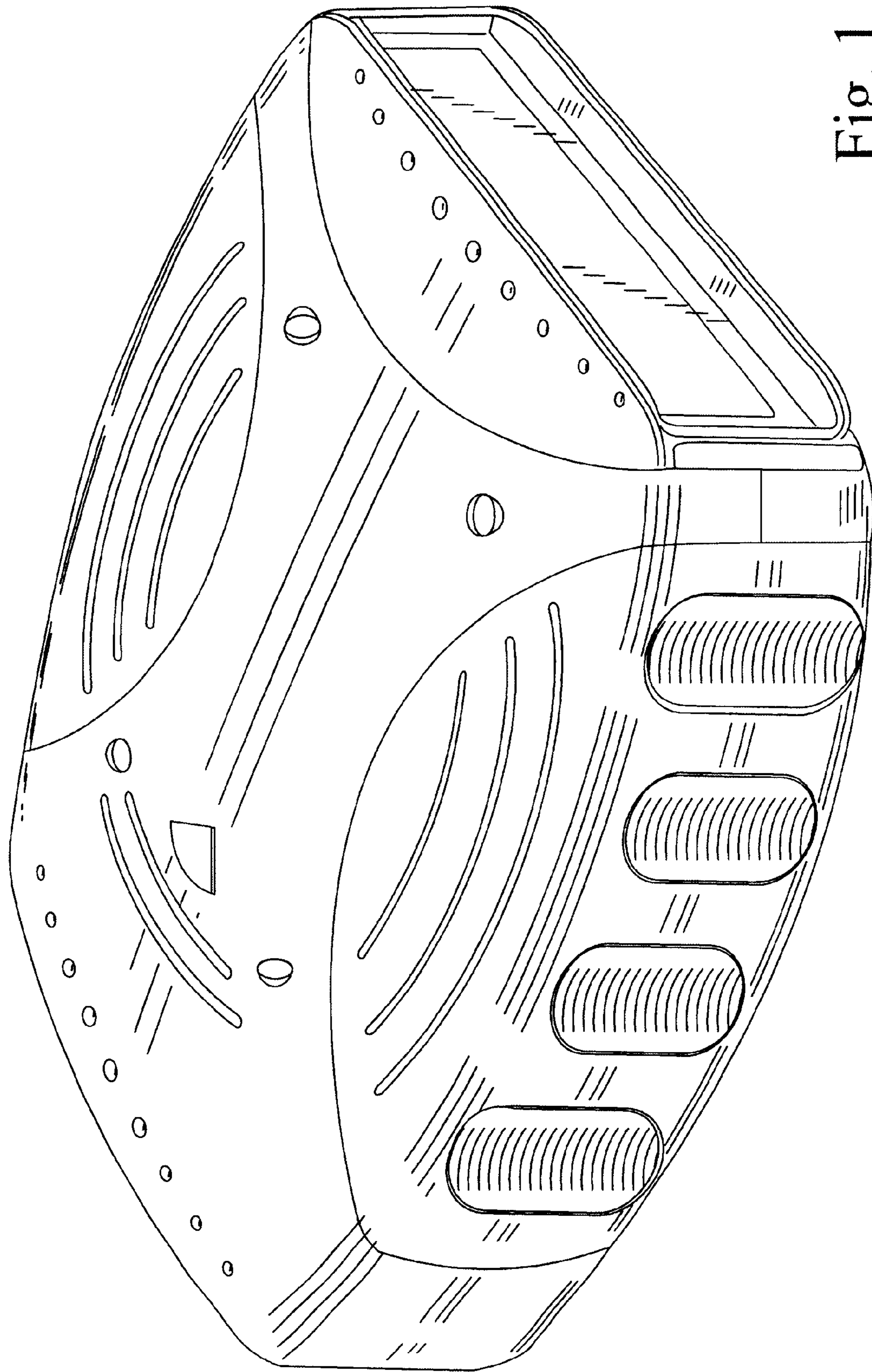


Fig. 1

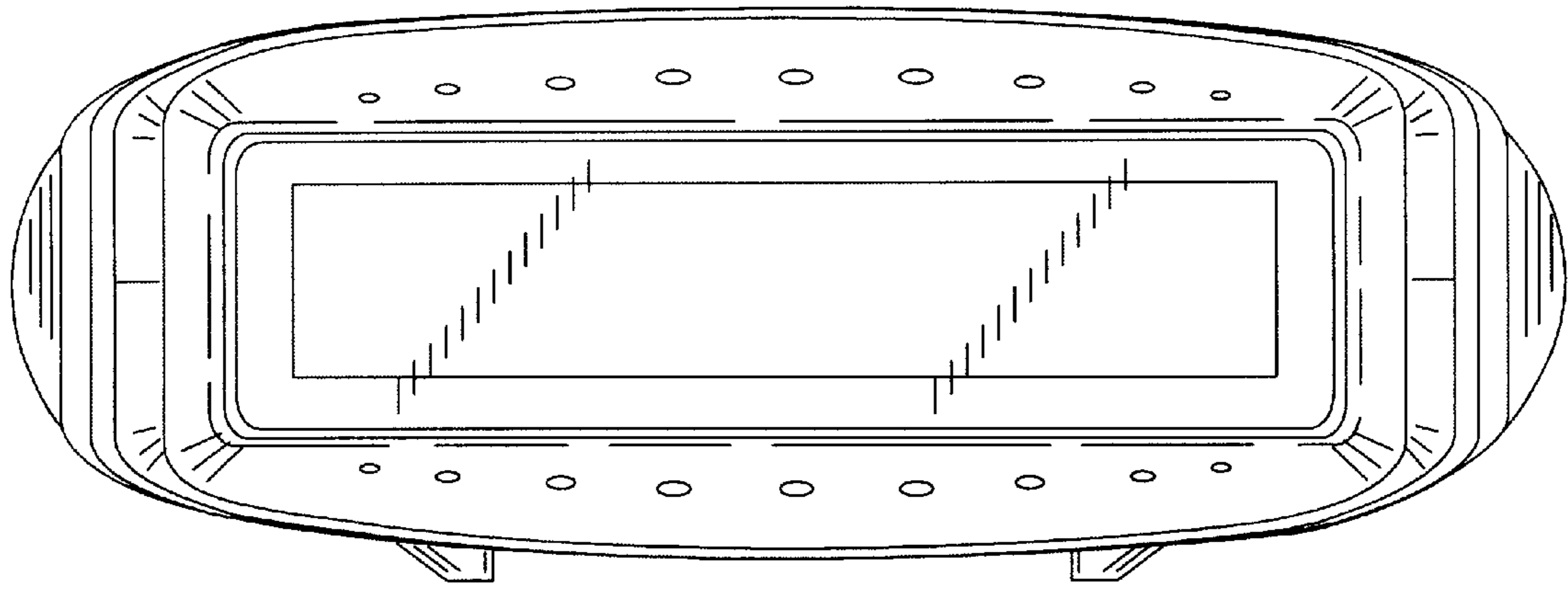


Fig. 2

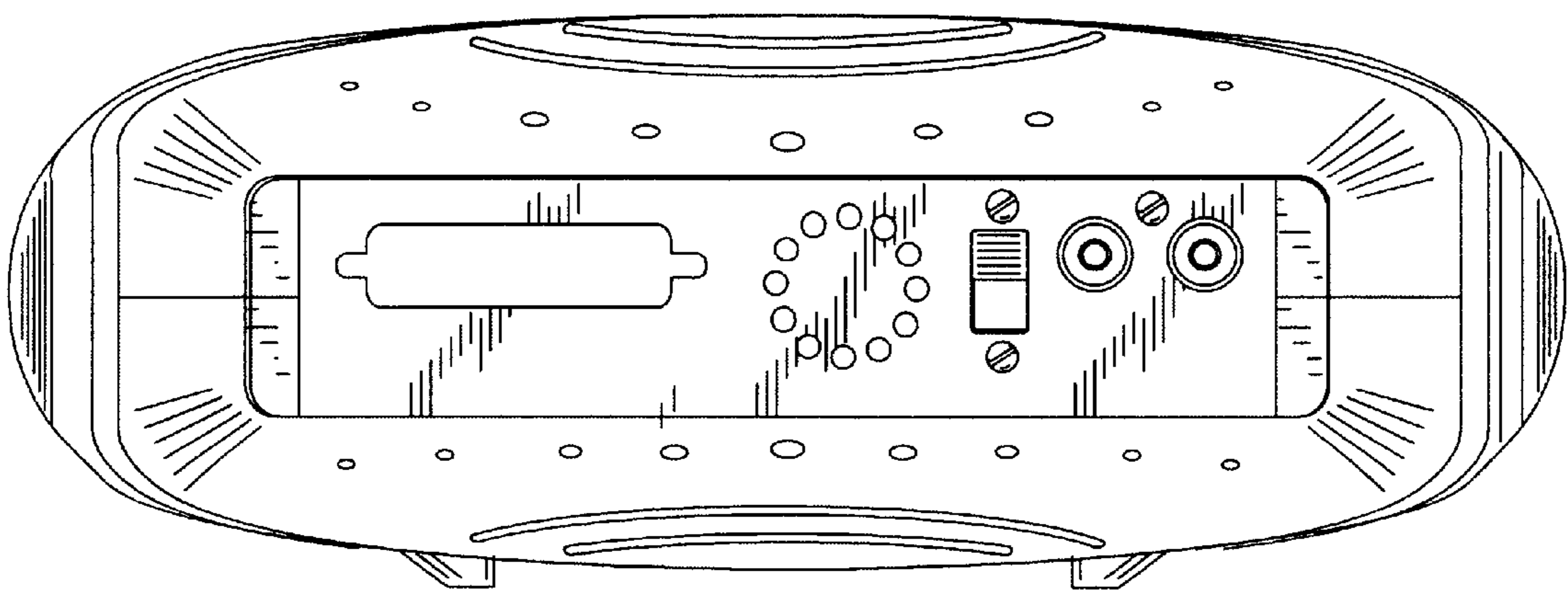


Fig. 6

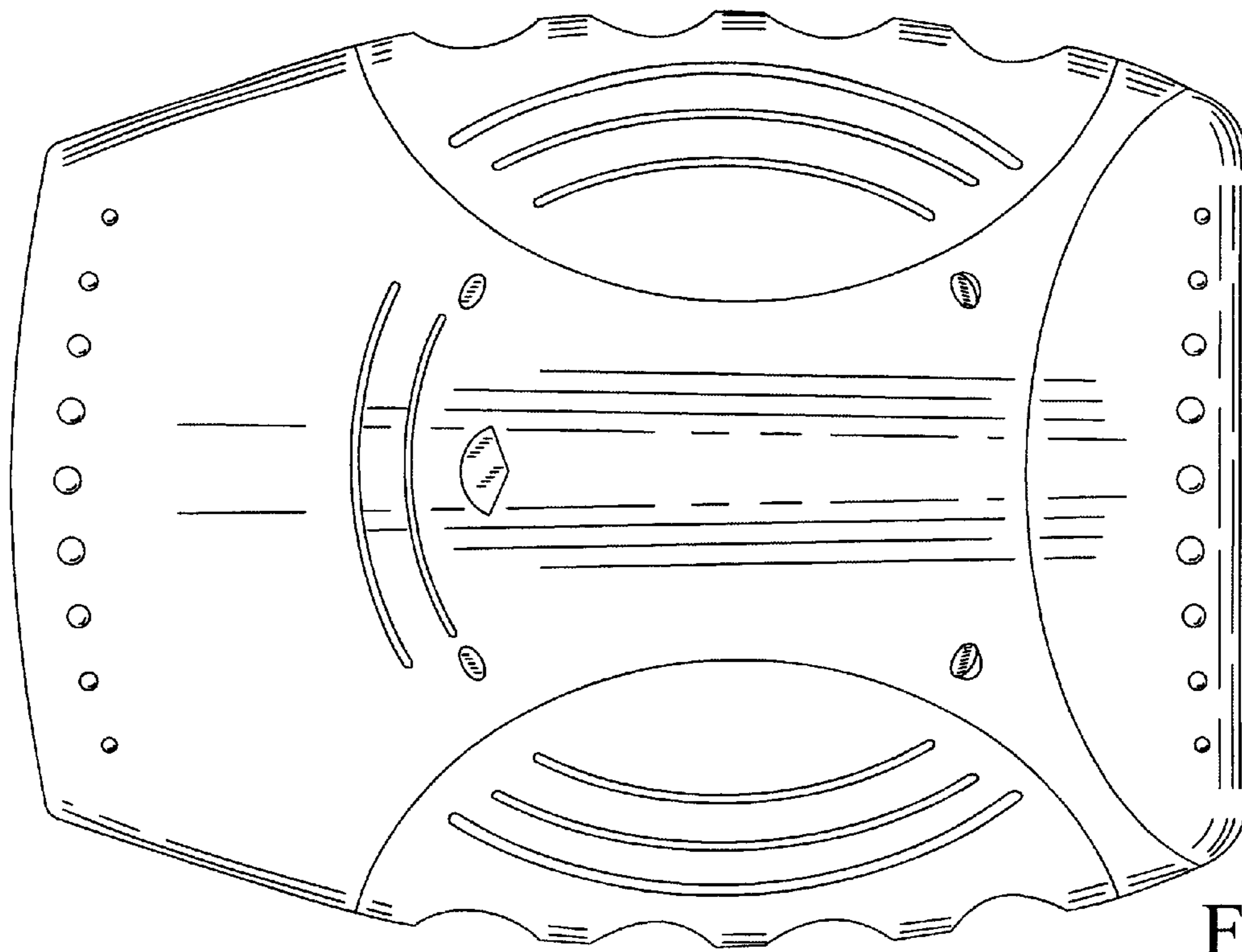


Fig. 3

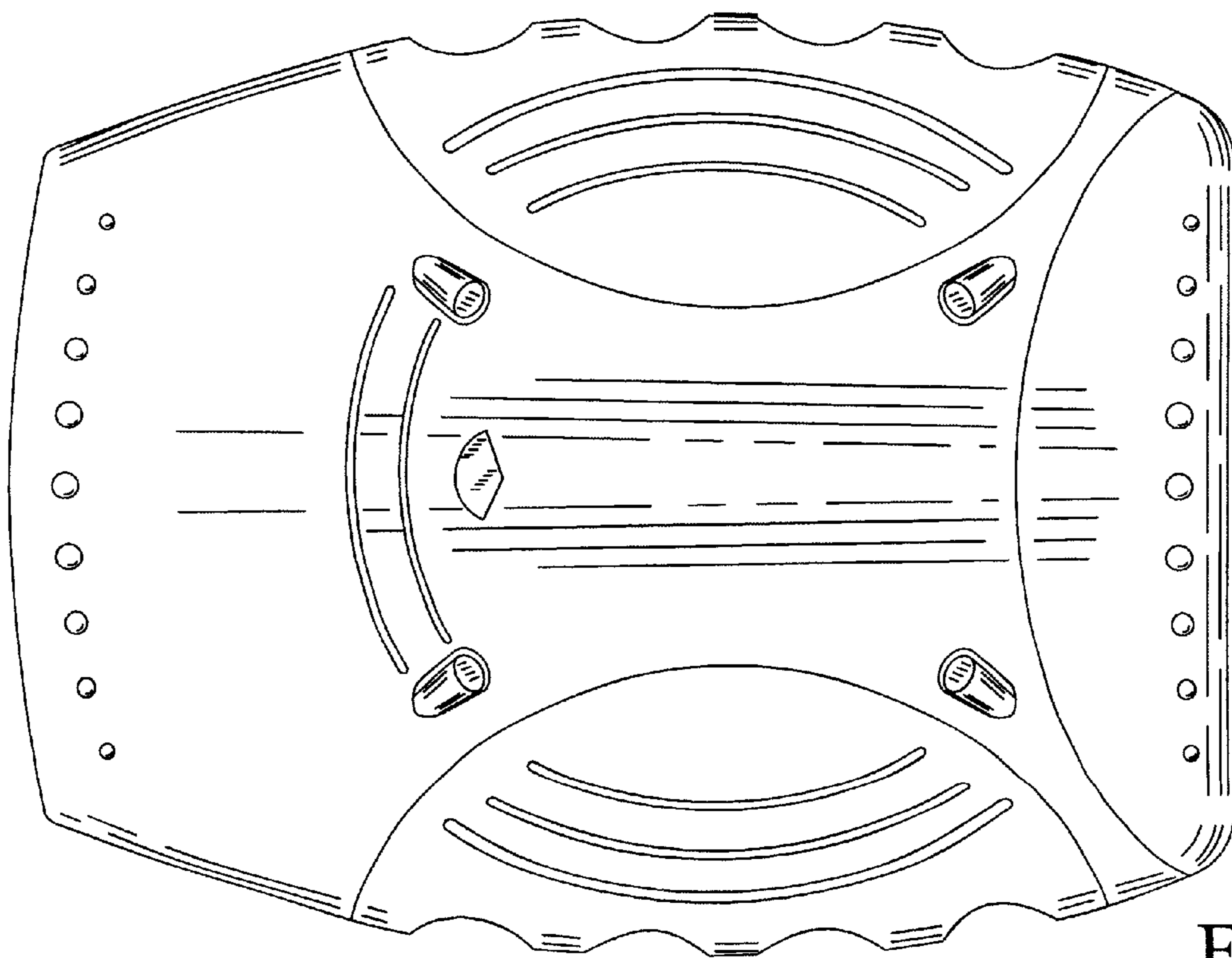


Fig. 4

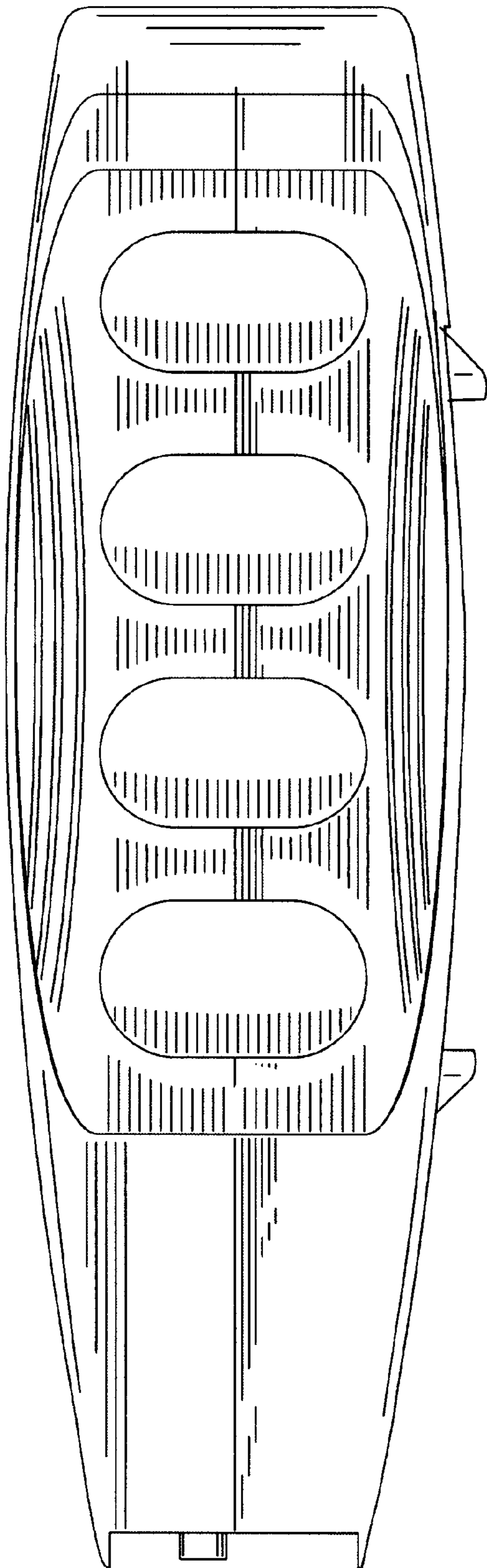


Fig. 5