



US00D451916B1

(12) **United States Design Patent**  
**Bradley et al.**

(10) **Patent No.:** **US D451,916 S**

(45) **Date of Patent:** **\*\* Dec. 11, 2001**

(54) **FACE OF TERMINAL APPARATUS**

(75) Inventors: **Paul Eugene Bradley**, Woodside;  
**Marcus Diebal**, San Francisco, both of  
CA (US)

(73) Assignee: **StreetSpace, Inc.**, San Francisco, CA  
(US)

(\*\*) Term: **14 Years**

(21) Appl. No.: **29/126,514**

(22) Filed: **Jul. 13, 2000**

**Related U.S. Application Data**

(62) Division of application No. 29/111,091, filed on Sep. 22,  
1999, now Pat. No. Des. 433,679.

(51) **LOC (7) Cl.** ..... **14-02**

(52) **U.S. Cl.** ..... **D14/305**

(58) **Field of Search** ..... D14/304, 305;  
D13/184, 199, 163; D6/422; 312/223.2;  
361/682

(56) **References Cited**

**U.S. PATENT DOCUMENTS**

D. 195,840 8/1963 Fay ..... D13/184

D. 330,544 10/1992 Kane ..... D14/305  
D. 346,586 5/1994 Miyake et al. .... D14/305 X  
D. 375,726 11/1996 Witte ..... D14/305  
D. 392,261 3/1998 Kodimer ..... D14/305  
D. 433,679 \* 11/2000 Bradley et al. .... D14/305

\* cited by examiner

*Primary Examiner*—Freda Nunn

(74) *Attorney, Agent, or Firm*—Brobeck, Phleger &  
Harrison, LLP

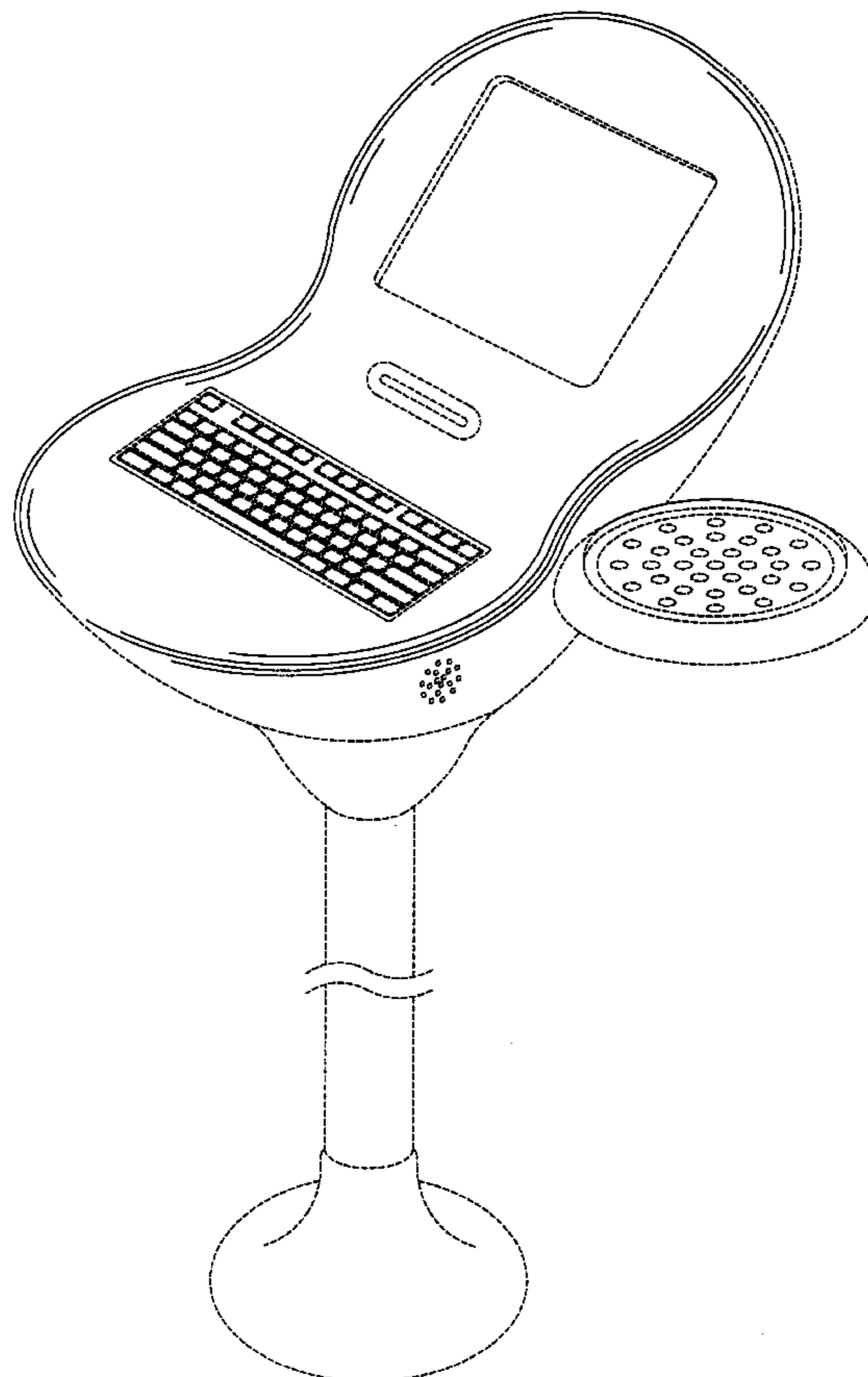
(57) **CLAIM**

The ornamental design for a face of terminal apparatus, as  
shown and described.

**DESCRIPTION**

FIG. 1 is a top perspective view of a face of terminal  
apparatus embodying the invention;  
FIG. 2 is a front elevational view thereof;  
FIG. 3 is a rear elevational view thereof;  
FIG. 4 is a top plan view thereof;  
FIG. 5 is a right side elevational view thereof; and,  
FIG. 6 is a left side elevational view thereof.  
The dashed lines in FIGS. 1–6 are to illustrate environment  
only and form no part of the claimed design.

**1 Claim, 6 Drawing Sheets**



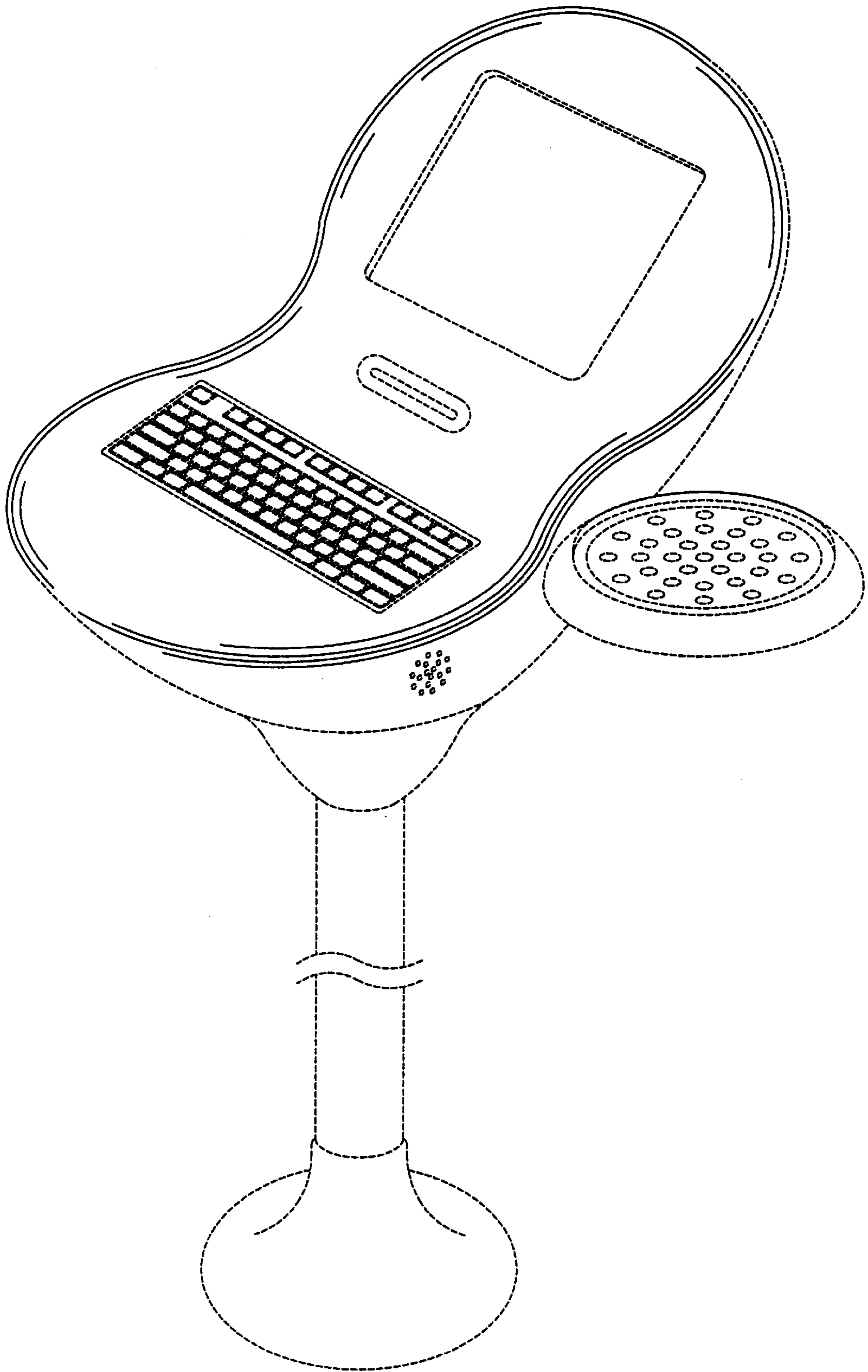


FIG. 1

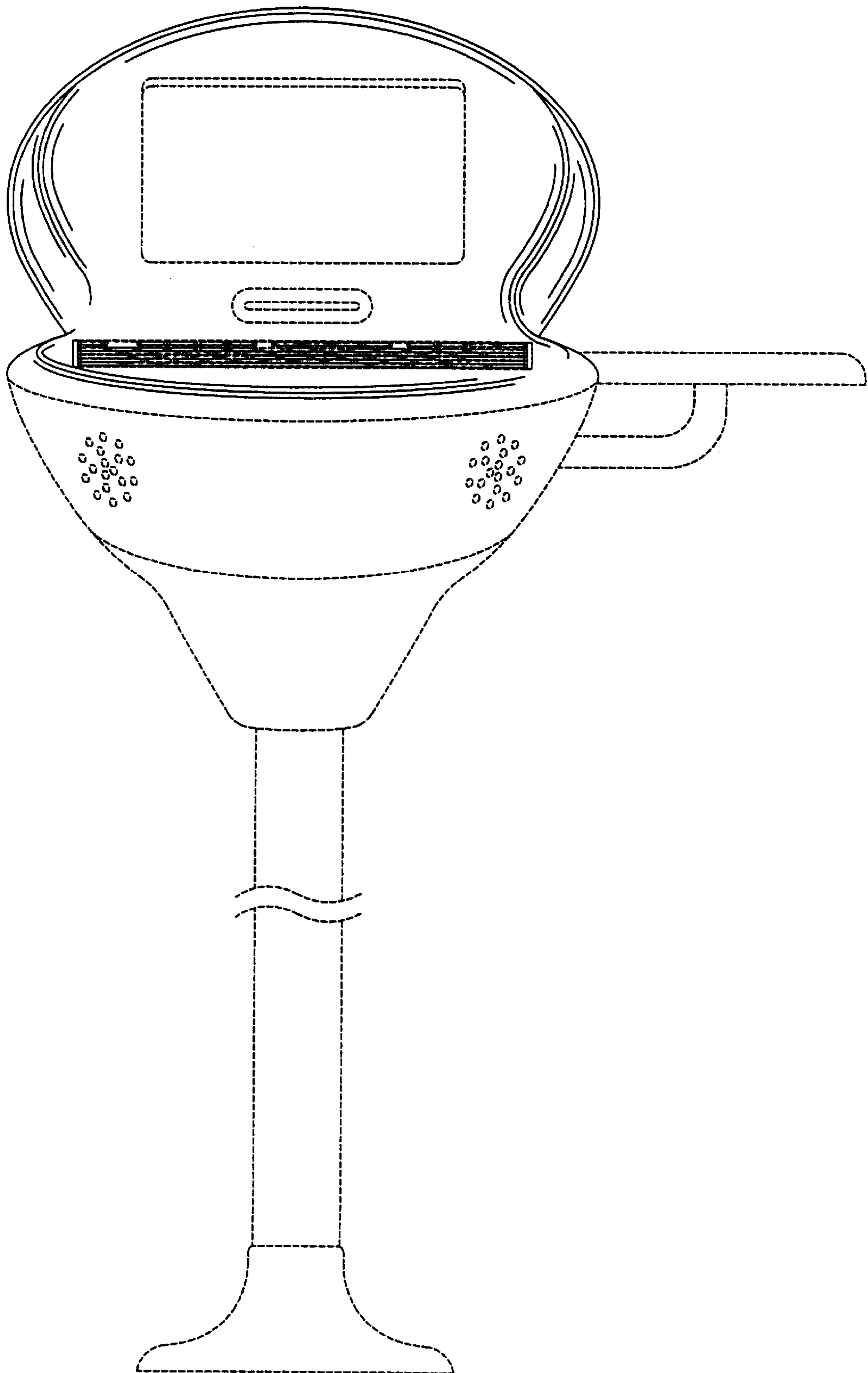


FIG. 2

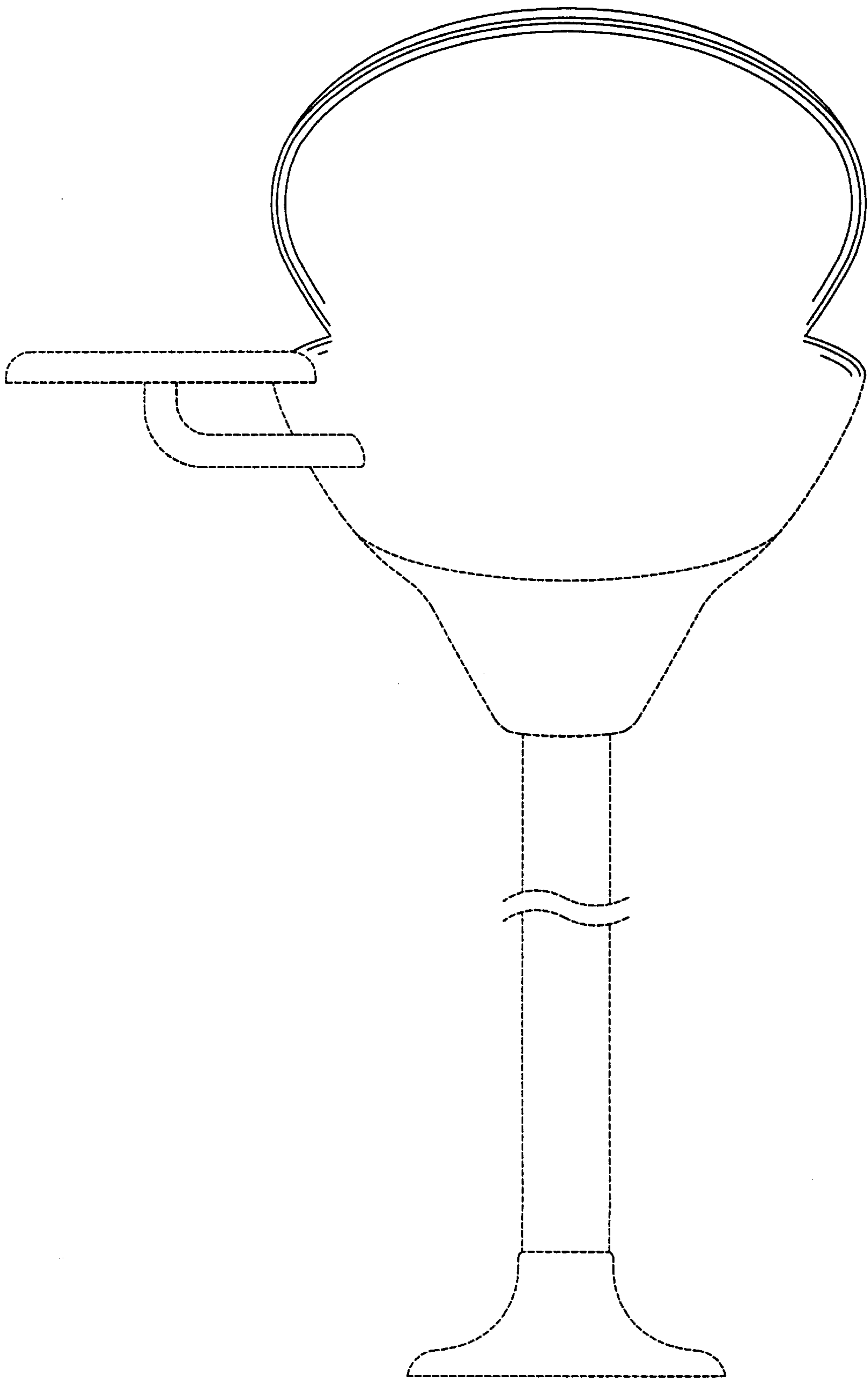


FIG. 3

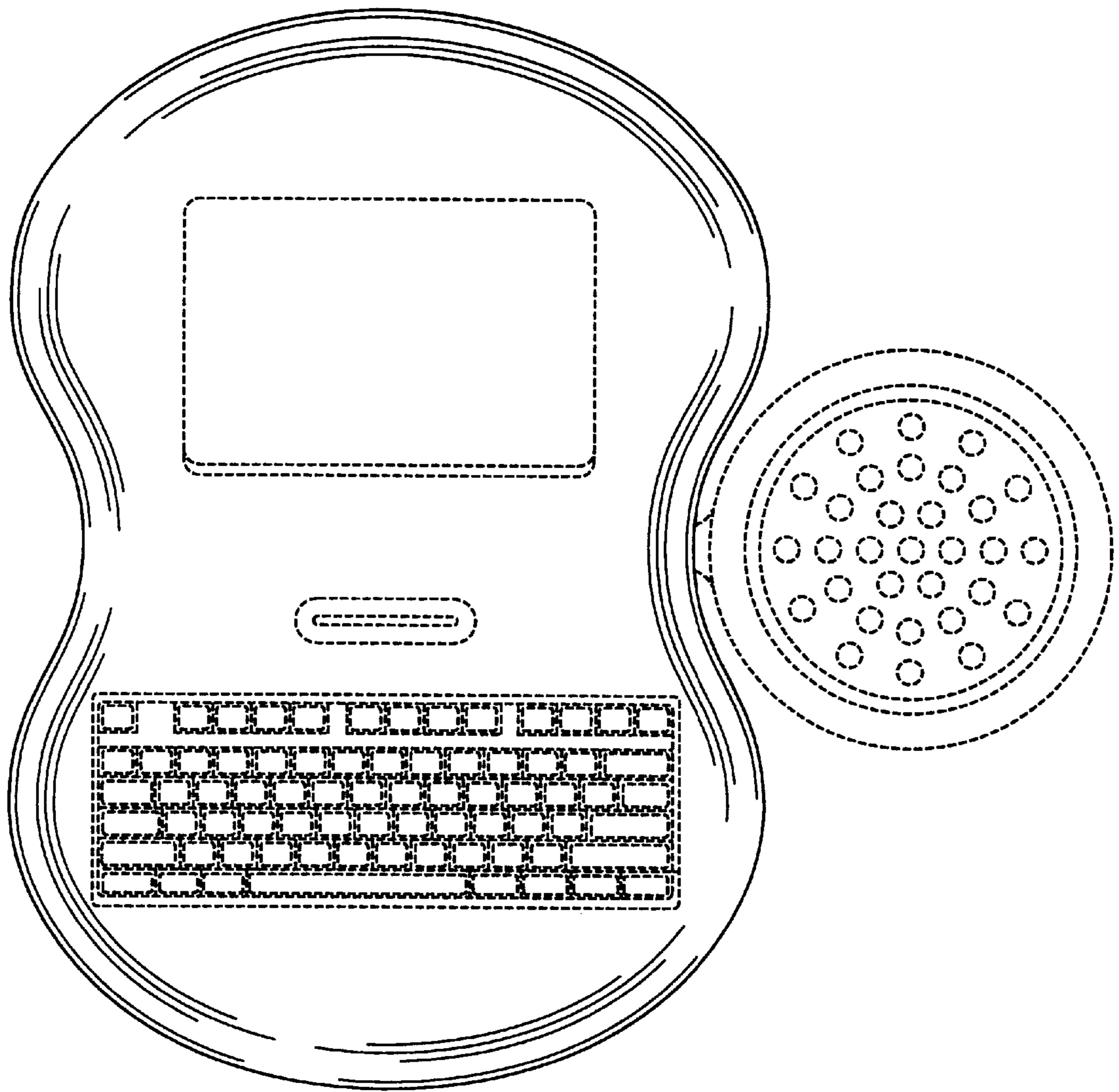


FIG. 4

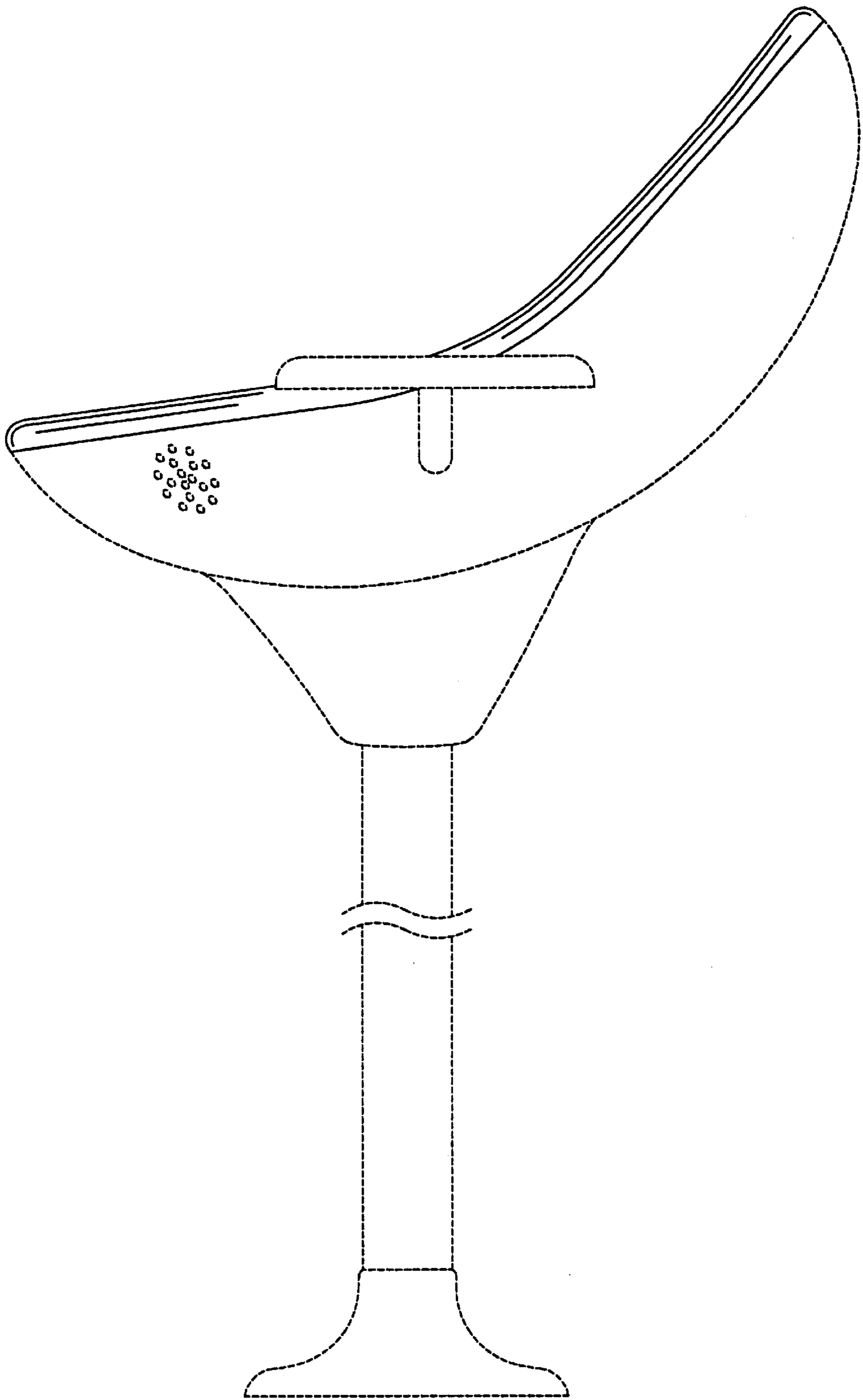


FIG. 5

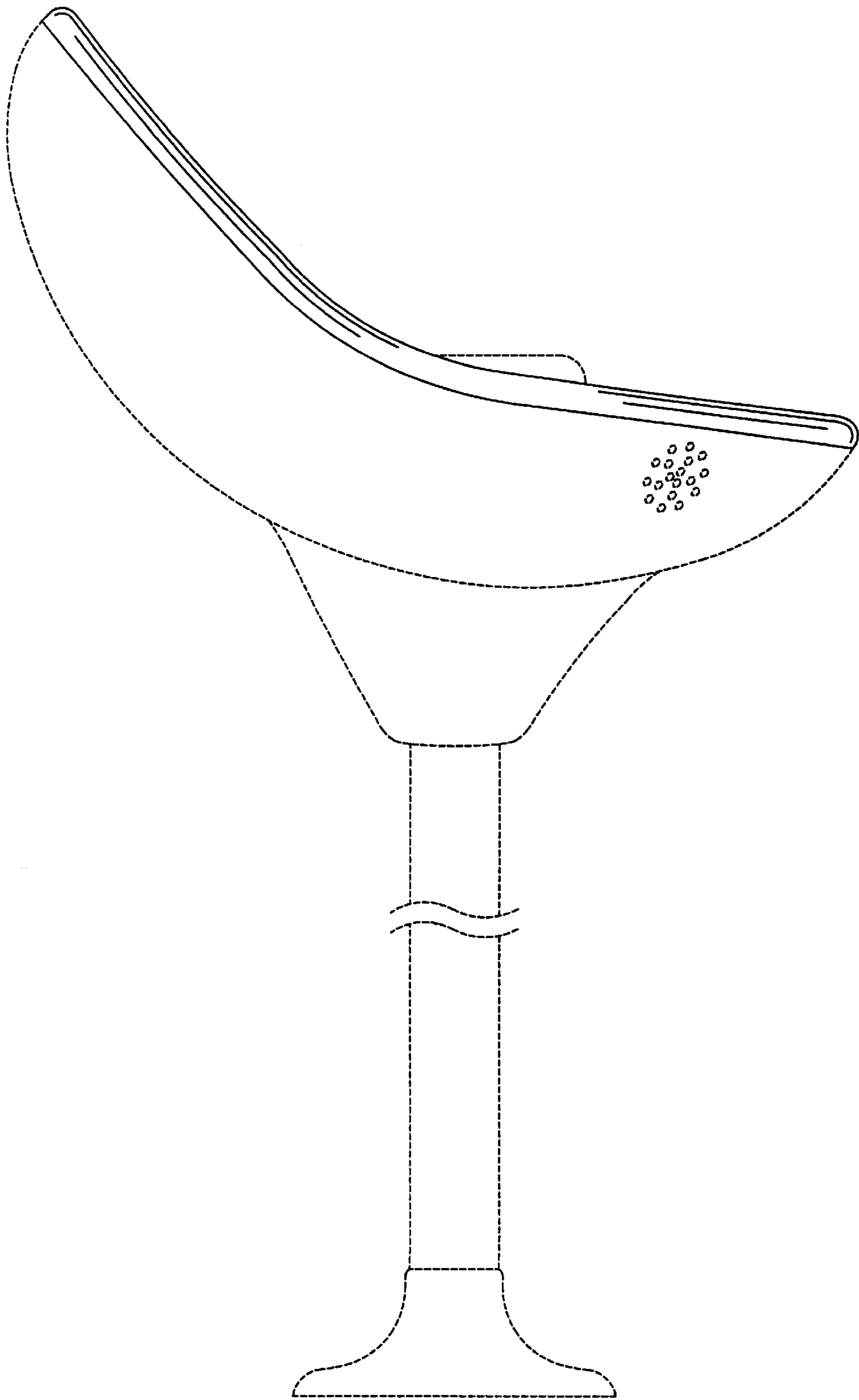


FIG. 6