



US00D451910B1

(12) **United States Design Patent**  
**Taylor et al.**

(10) **Patent No.:** **US D451,910 S**

(45) **Date of Patent:** **\*\* Dec. 11, 2001**

(54) **WALL PHONE COMPONENT**

(75) Inventors: **Darrell C. Taylor**, Duluth, GA (US);  
**Thomas Greenwood**, Bradenton, FL  
(US); **Matthew D. Toth**, Lawrenceville,  
GA (US)

(73) Assignee: **Elcotel, Inc.**, Sarasota, FL (US)

(\*\*) Term: **14 Years**

(21) Appl. No.: **29/113,113**

(22) Filed: **Oct. 29, 1999**

(51) **LOC (7) Cl.** ..... **14-03**

(52) **U.S. Cl.** ..... **D14/240; D14/146**

(58) **Field of Search** ..... D14/130, 140,  
D14/142, 149-151, 146, 240, 329, 330;  
379/433-436, 419, 420, 428, 440, 430,  
453, 143-155, 368, 441, 442

(56) **References Cited**

**U.S. PATENT DOCUMENTS**

|            |   |         |                    |       |         |
|------------|---|---------|--------------------|-------|---------|
| D. 266,927 | * | 11/1982 | Illium, Jr. et al. | ..... | D14/146 |
| D. 277,480 | * | 2/1985  | Jackwicz et al.    | ..... | D14/142 |
| D. 283,890 | * | 5/1986  | Britz et al.       | ..... | D14/146 |
| D. 290,954 | * | 7/1987  | Read               | ..... | D14/146 |
| D. 291,566 | * | 8/1987  | Perry et al.       | ..... | D14/240 |
| D. 304,190 | * | 10/1989 | Rose               | ..... | D14/142 |
| D. 308,677 | * | 6/1990  | Tamura             | ..... | D14/146 |
| D. 319,827 | * | 9/1991  | Palomeque et al.   | ..... | D14/146 |
| D. 339,580 | * | 9/1993  | Schmidt            | ..... | D14/146 |
| D. 342,251 | * | 12/1993 | Hird et al.        | ..... | D14/146 |
| D. 345,973 | * | 4/1994  | Kwon et al.        | ..... | D14/146 |
| D. 346,165 | * | 4/1994  | Kwon et al.        | ..... | D14/146 |
| D. 351,162 | * | 10/1994 | Kwon et al.        | ..... | D14/146 |
| D. 375,953 | * | 11/1996 | Smith et al.       | ..... | D14/146 |
| D. 402,983 | * | 12/1998 | Wild et al.        | ..... | D14/146 |
| D. 408,404 | * | 4/1999  | Hall               | ..... | D14/146 |
| D. 410,004 | * | 5/1999  | LaPorte et al.     | ..... | D14/146 |
| D. 423,474 | * | 4/2000  | Tierney, II        | ..... | D14/107 |

|            |   |         |                   |       |         |
|------------|---|---------|-------------------|-------|---------|
| D. 429,241 | * | 8/2000  | Collins           | ..... | D14/138 |
| D. 432,509 | * | 10/2000 | Webb et al.       | ..... | D14/138 |
| 4,672,661  | * | 6/1987  | Clark, Jr. et al. | ..... | 379/144 |
| 4,974,257  | * | 11/1990 | Ibanez et al.     | ..... | 379/143 |
| 5,907,606  | * | 5/1999  | Ingalsbe et al.   | ..... | 379/146 |
| 6,038,298  | * | 3/2000  | Cheng             | ..... | 379/143 |

\* cited by examiner

*Primary Examiner*—Jeffrey Asch

(74) *Attorney, Agent, or Firm*—Schnader Harrison Segal & Lewis, LLP

(57) **CLAIM**

The ornamental design for a wall phone component, as shown and described.

**DESCRIPTION**

FIG. 1 is a perspective view of a wall phone component according to the invention.

FIG. 2 is a front elevational view of a wall phone component according to the invention.

FIG. 3 is a rear elevational view of a wall phone component according to the invention.

FIG. 4 is a left side elevational view of a wall phone component according to the invention.

FIG. 5 is a right side elevational view of a wall phone component according to the invention.

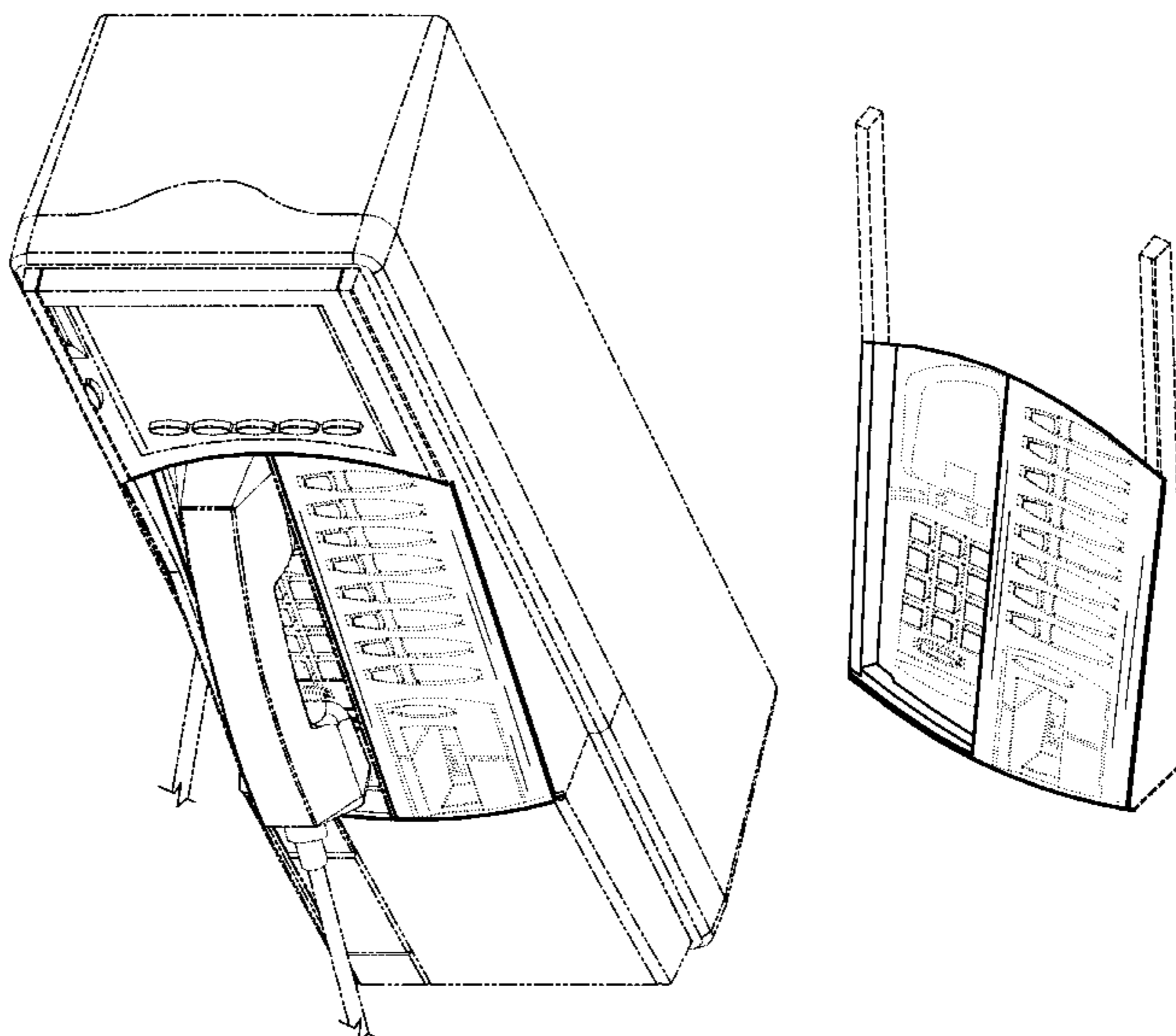
FIG. 6 is a top plan view of a wall phone component according to the invention.

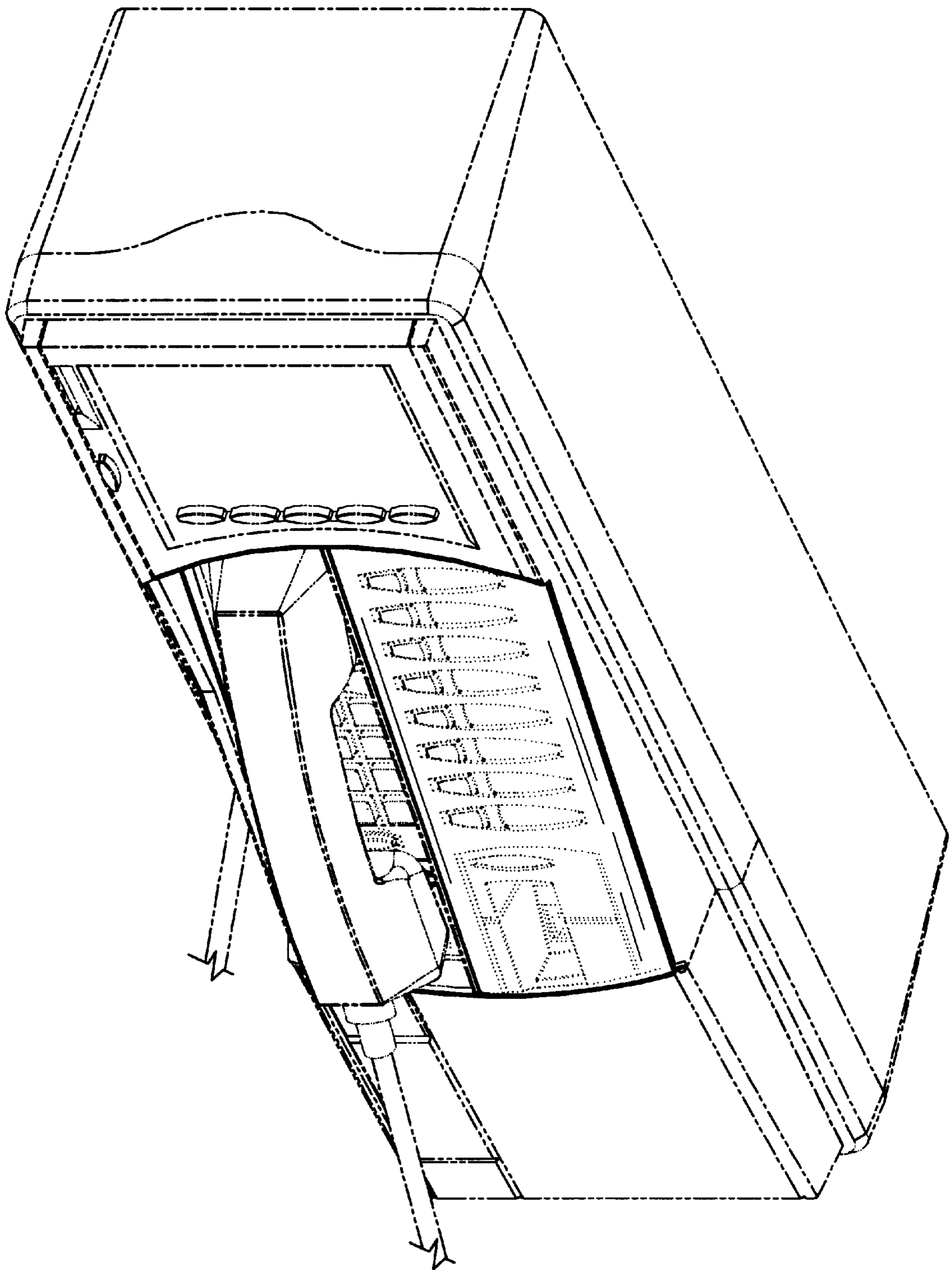
FIG. 7 is a bottom plan view of a wall phone component according to the invention; and,

FIG. 8 is a perspective view of a wall phone component according to the invention, the large majority of the environmental and contextual dotted lines removed.

The broken, non-solid lines are for illustrative and contextual purposes only, and form no part of claimed invention. The heavy solid lines establish the claim subject matter which is most readily seen in FIG. 8.

**1 Claim, 8 Drawing Sheets**





*Fig. 1*

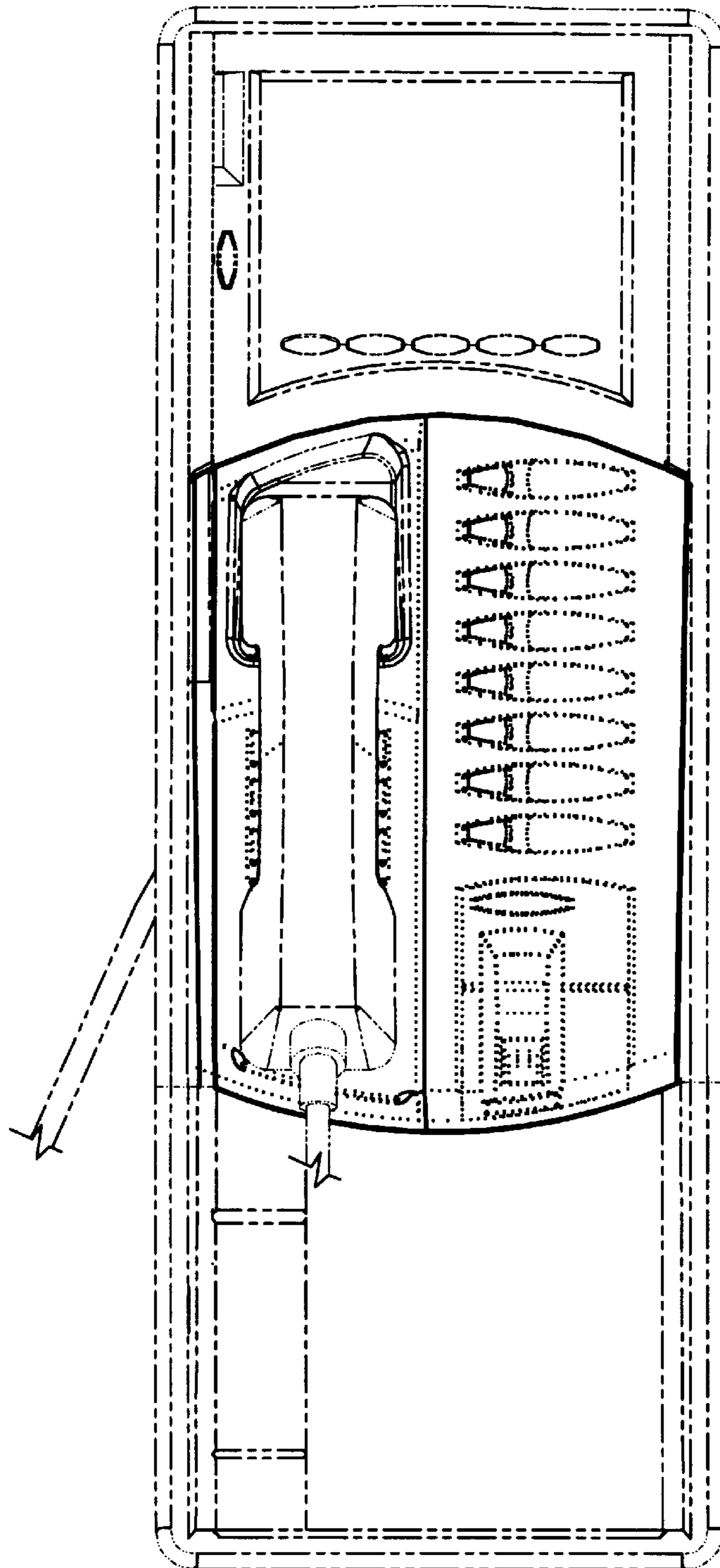
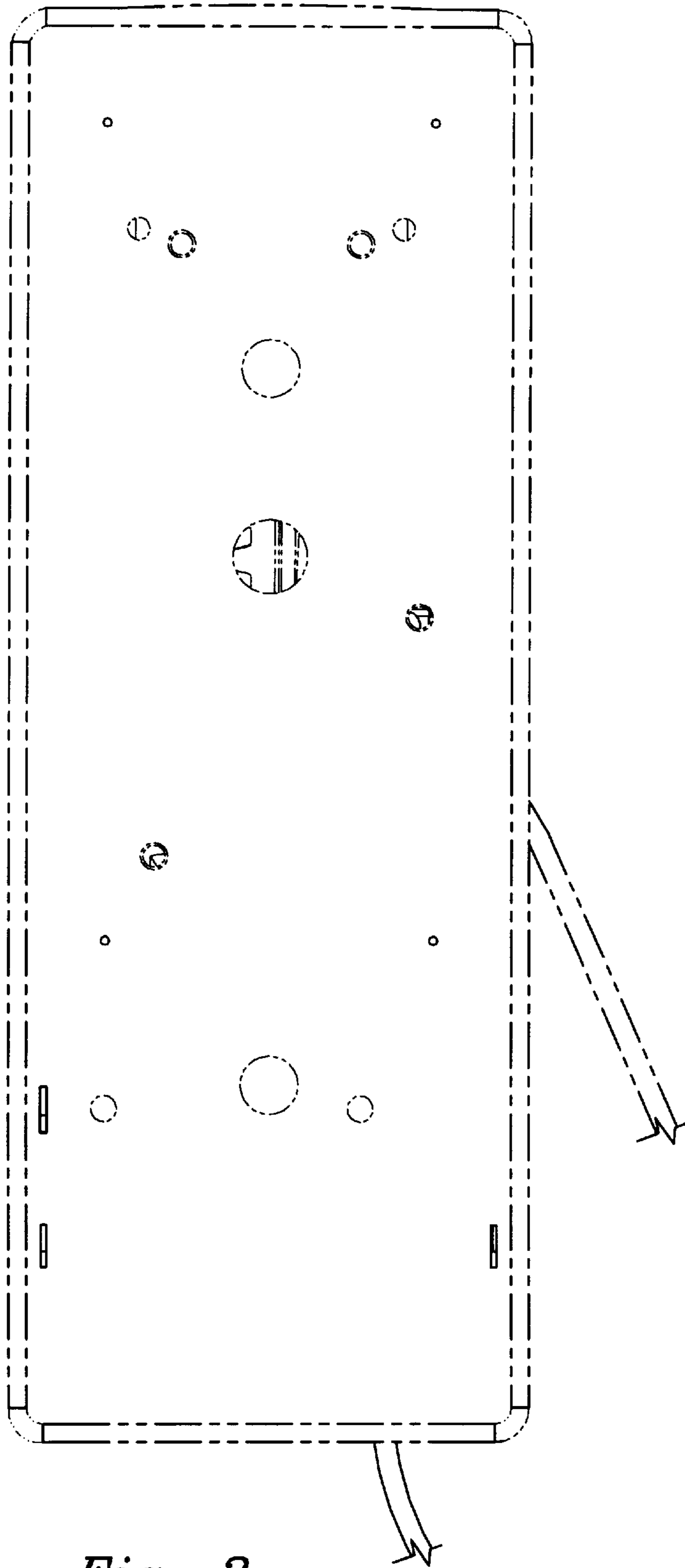
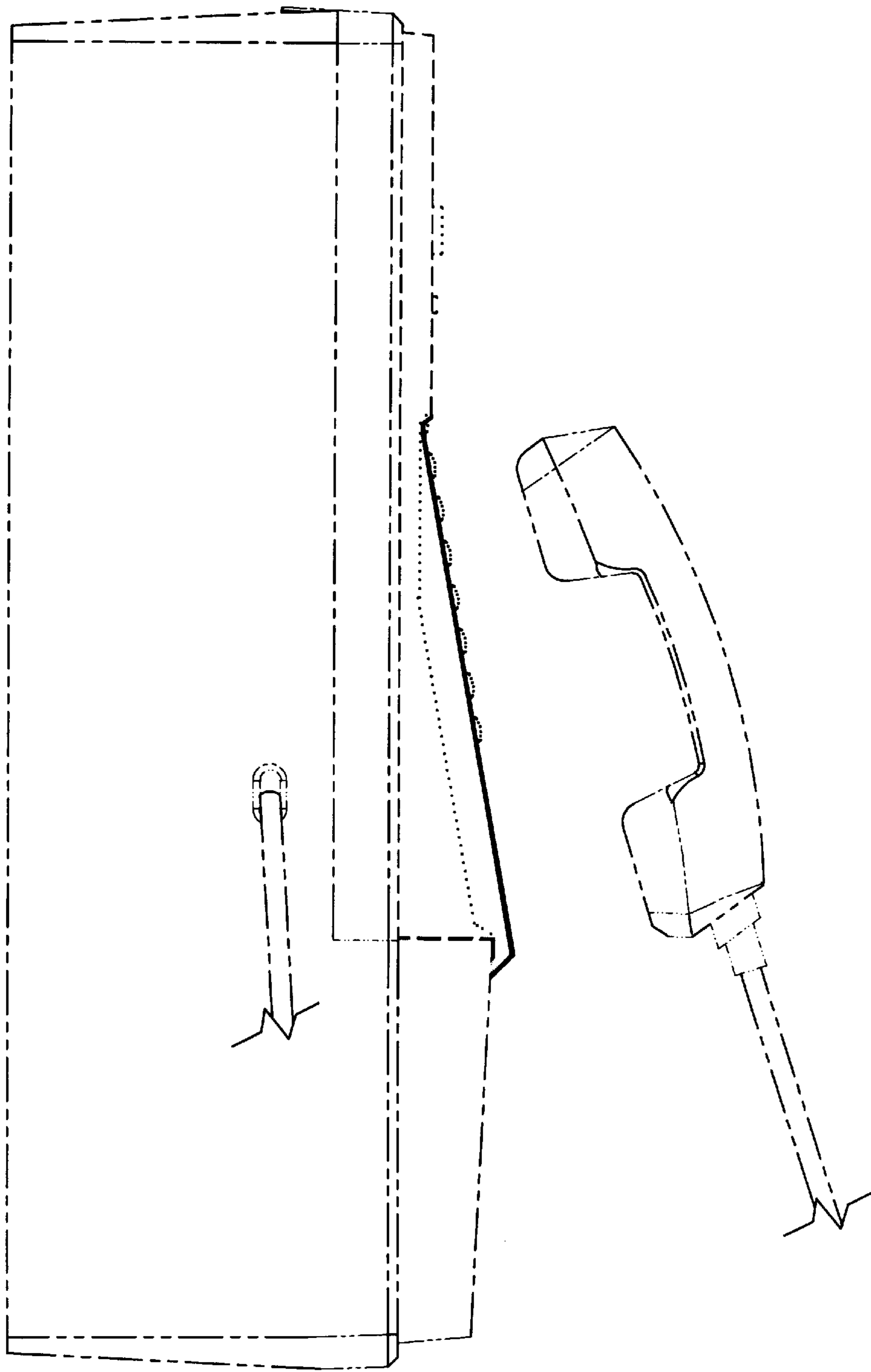


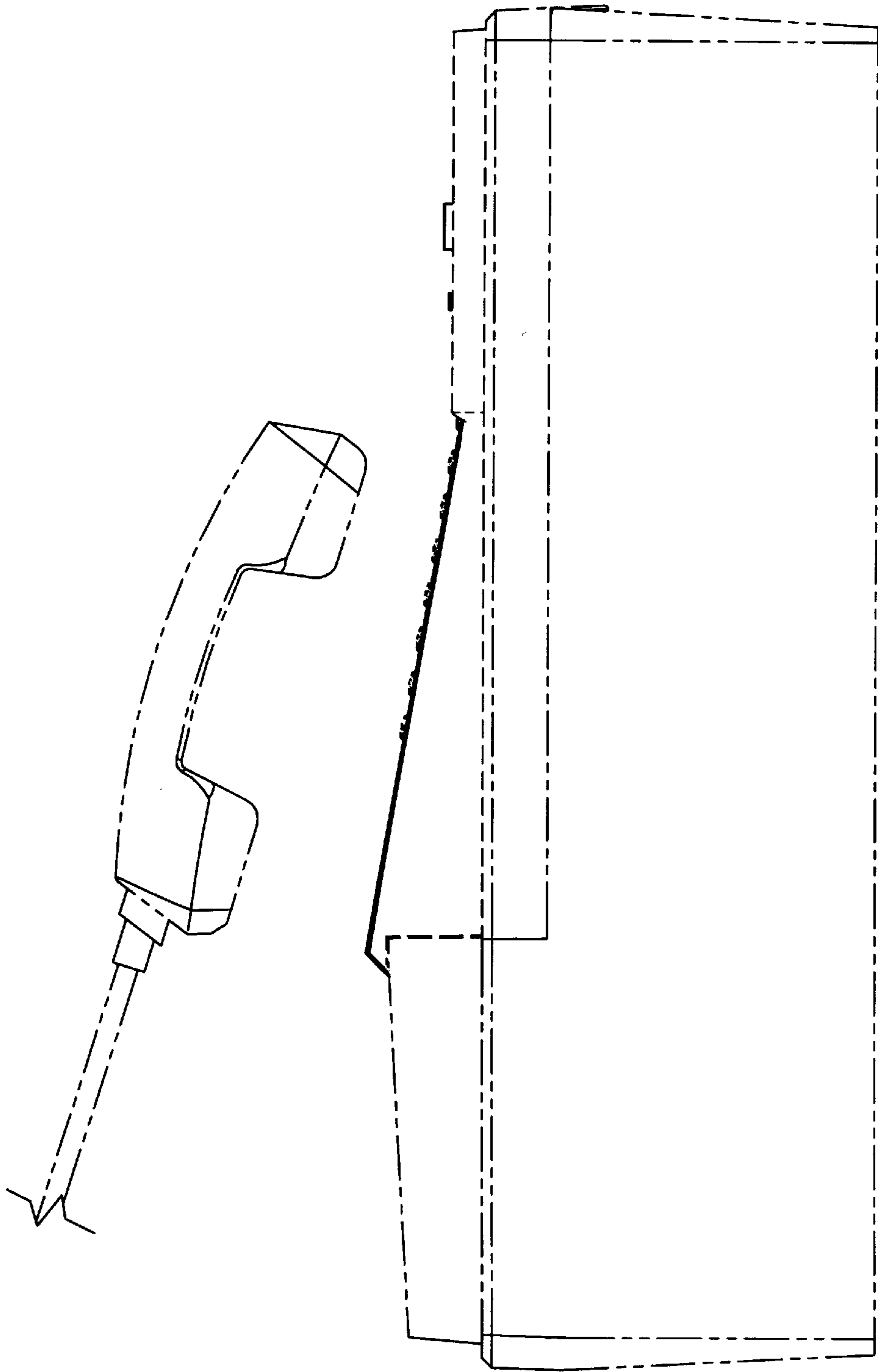
Fig. 2



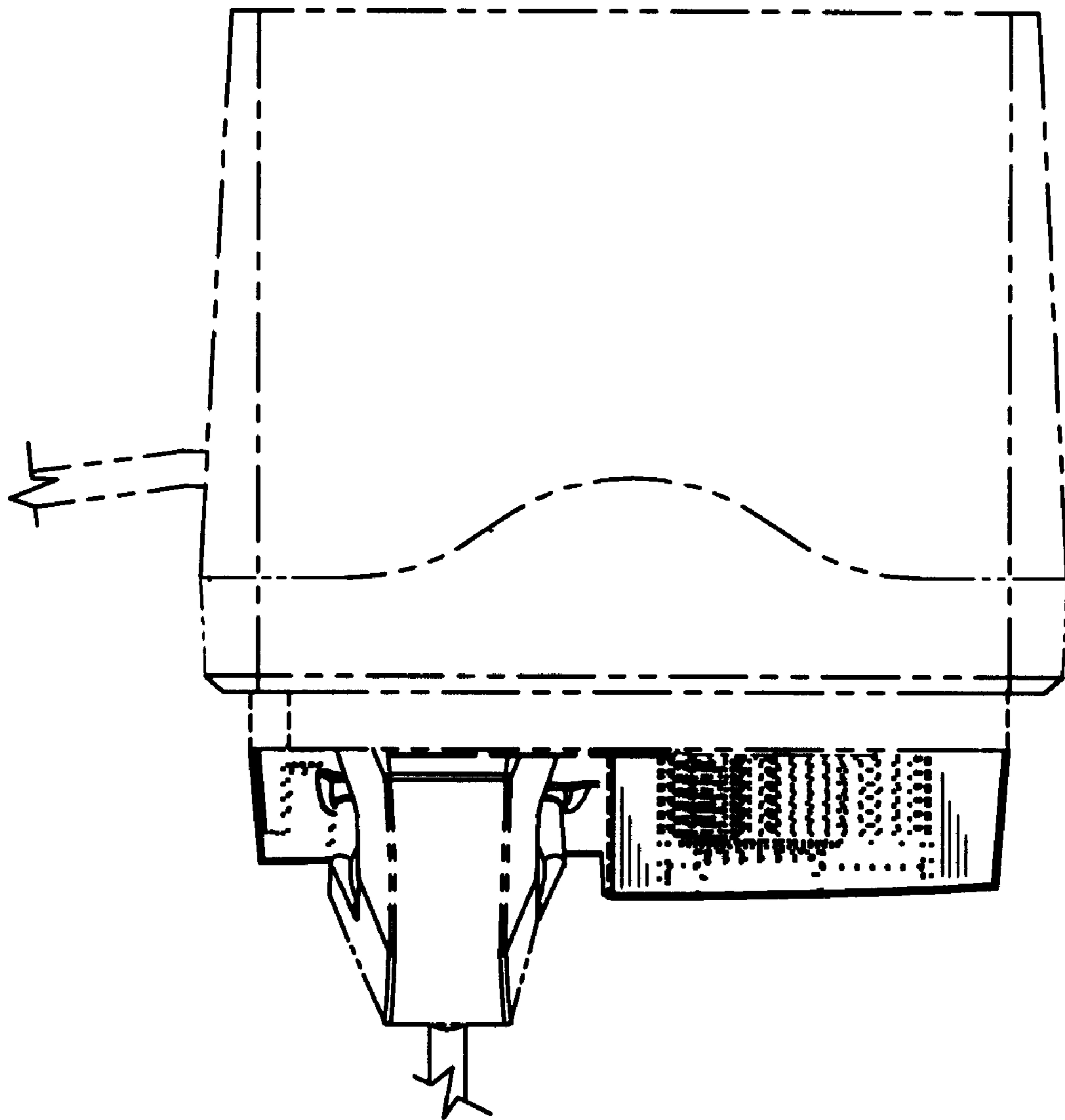
*Fig. 3*



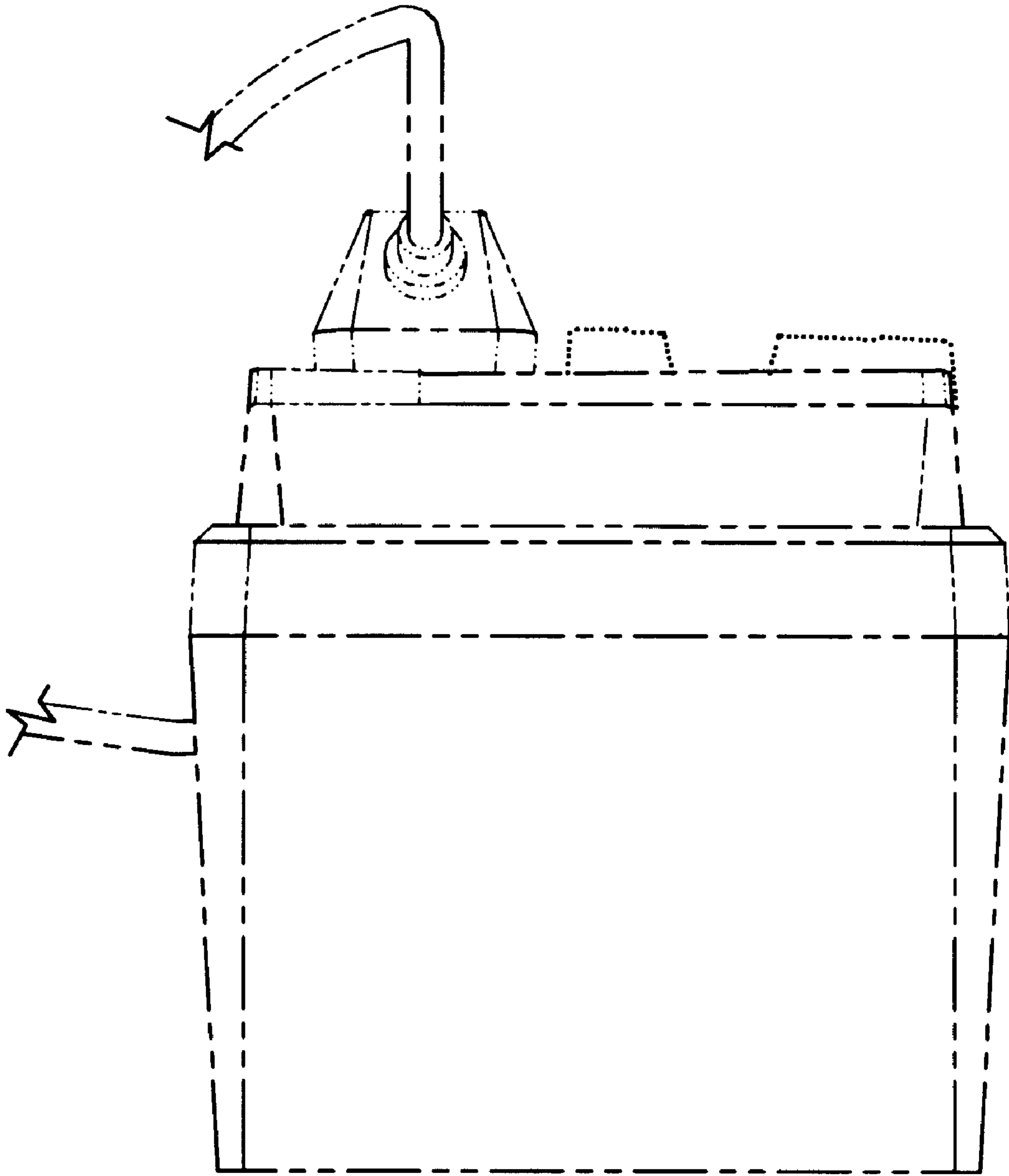
*Fig. 4*



*Fig. 5*

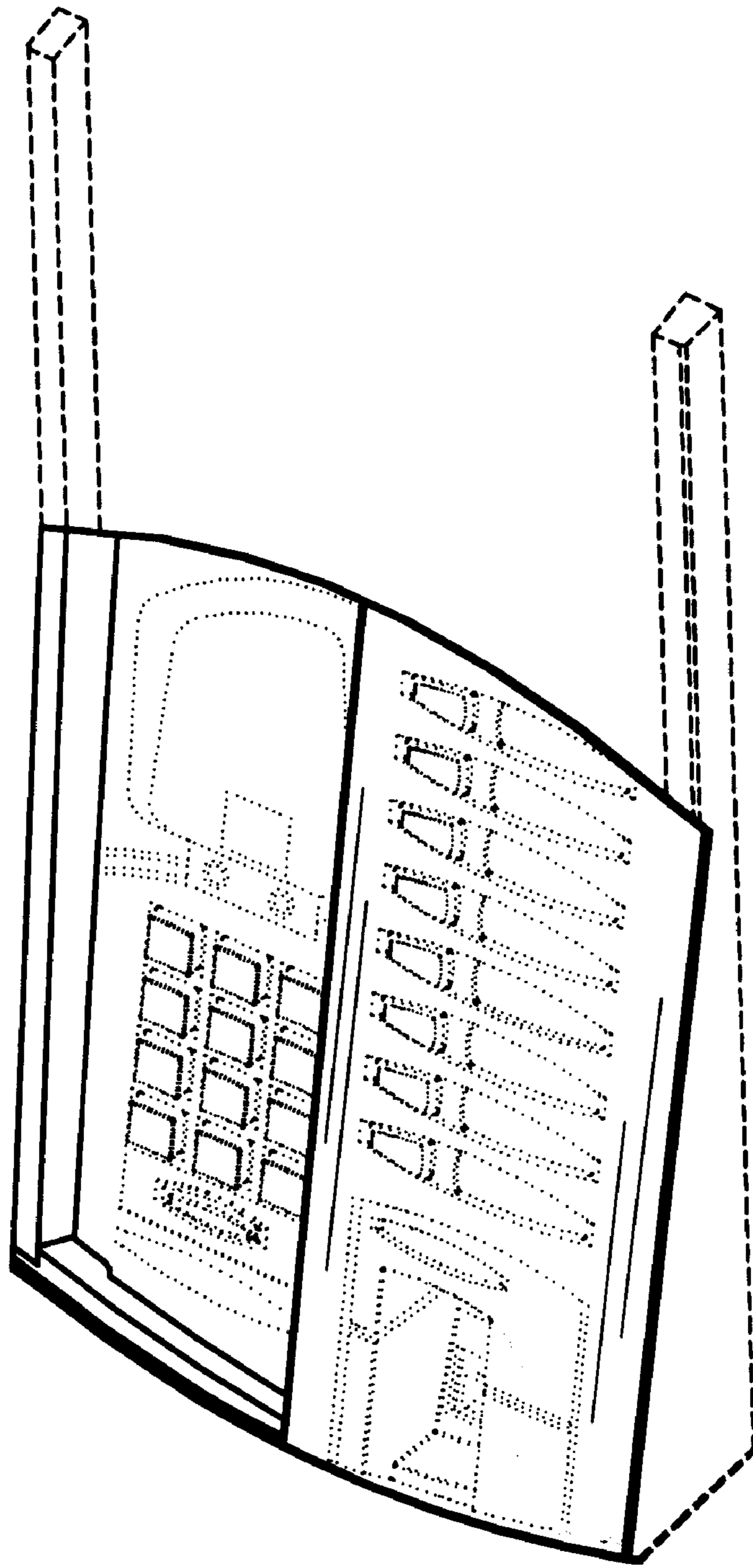


*Fig. 6*



*Fig. 7*





*Fig. 8*