



US00D451909B1

(12) **United States Design Patent**
Mackie et al.

(10) **Patent No.:** **US D451,909 S**

(45) **Date of Patent:** **** Dec. 11, 2001**

(54) **SPEAKER BASKET**

(75) Inventors: **Greg C. Mackie**, Kirkland; **Joseph L. Erno**, Snohomish, both of WA (US)

(73) Assignee: **Mackie Designs, Inc.**, Woodinville, WA (US)

(**) Term: **14 Years**

(21) Appl. No.: **29/140,471**

(22) Filed: **Apr. 17, 2001**

Related U.S. Application Data

(62) Division of application No. 29/132,873, filed on Nov. 15, 2000.

(51) **LOC (7) Cl.** **14-01**

(52) **U.S. Cl.** **D14/224**

(58) **Field of Search** D14/204, 207,
D14/215-216, 221, 222, 224; 181/144-148,
150-155, 157, 198-199; 381/300, 332-336,
386, 430-433

(56) **References Cited**

U.S. PATENT DOCUMENTS

D. 130,357 * 11/1941 O'Connor et al. D14/216

D. 225,069 * 11/1972 May D14/216

D. 270,533 * 9/1983 Piercy D14/224

D. 318,671 * 7/1991 Naumann D14/221 X

D. 328,900 * 8/1992 Harle D14/216

* cited by examiner

Primary Examiner—Nanda Bondade

(74) *Attorney, Agent, or Firm*—Christensen O'Connor Johnson Kindness PLLC

(57) **CLAIM**

The ornamental design for a speaker basket, as shown and described.

DESCRIPTION

FIG. 1 is a perspective view of a speaker basket of the present invention;

FIG. 2 is a bottom plan view thereof;

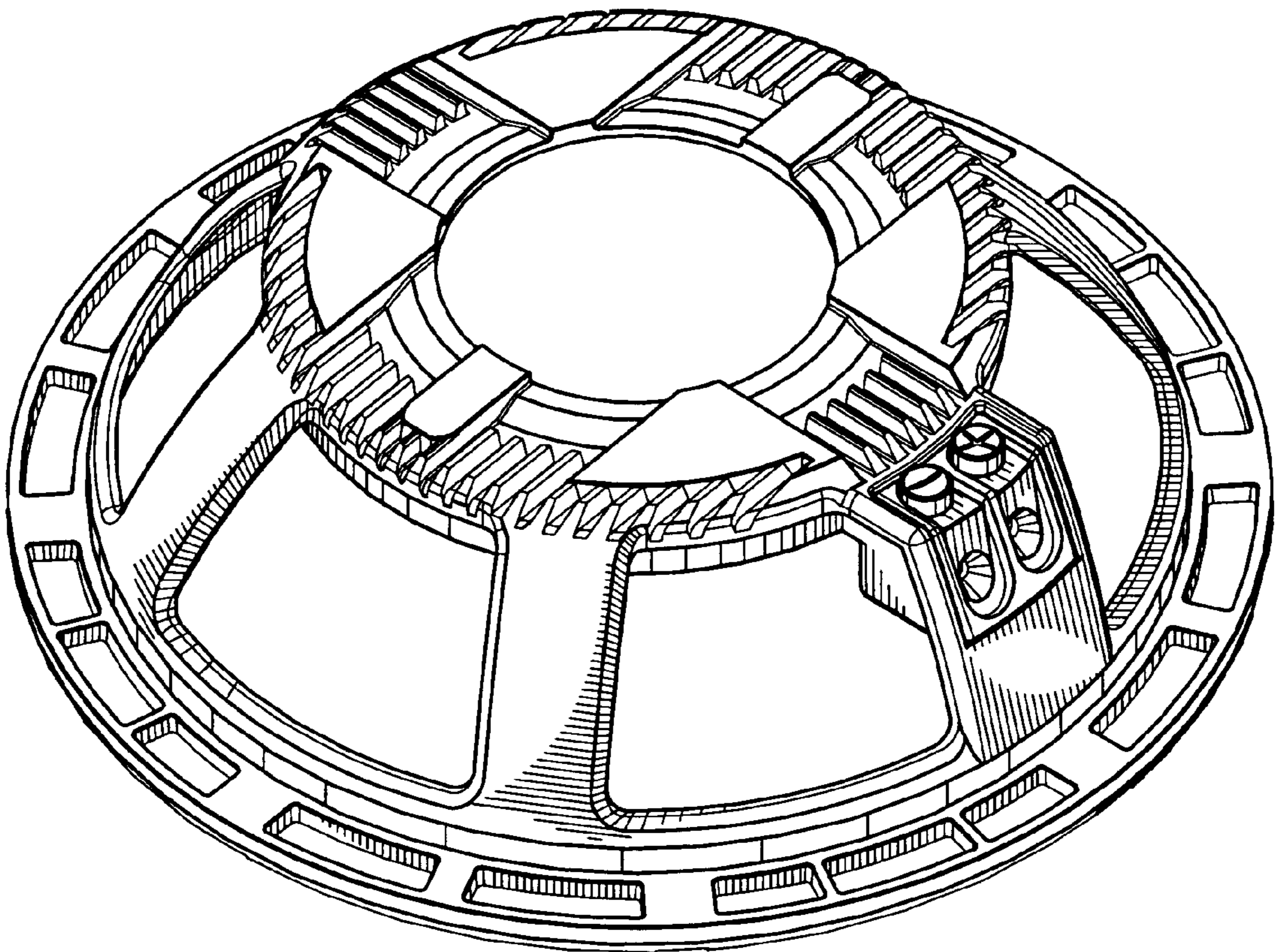
FIG. 3 is a top plan view thereof;

FIG. 4 is a right-side elevational view thereof;

FIG. 5 is a left-side elevational view thereof; and,

FIG. 6 is a rear elevational view thereof.

1 Claim, 2 Drawing Sheets



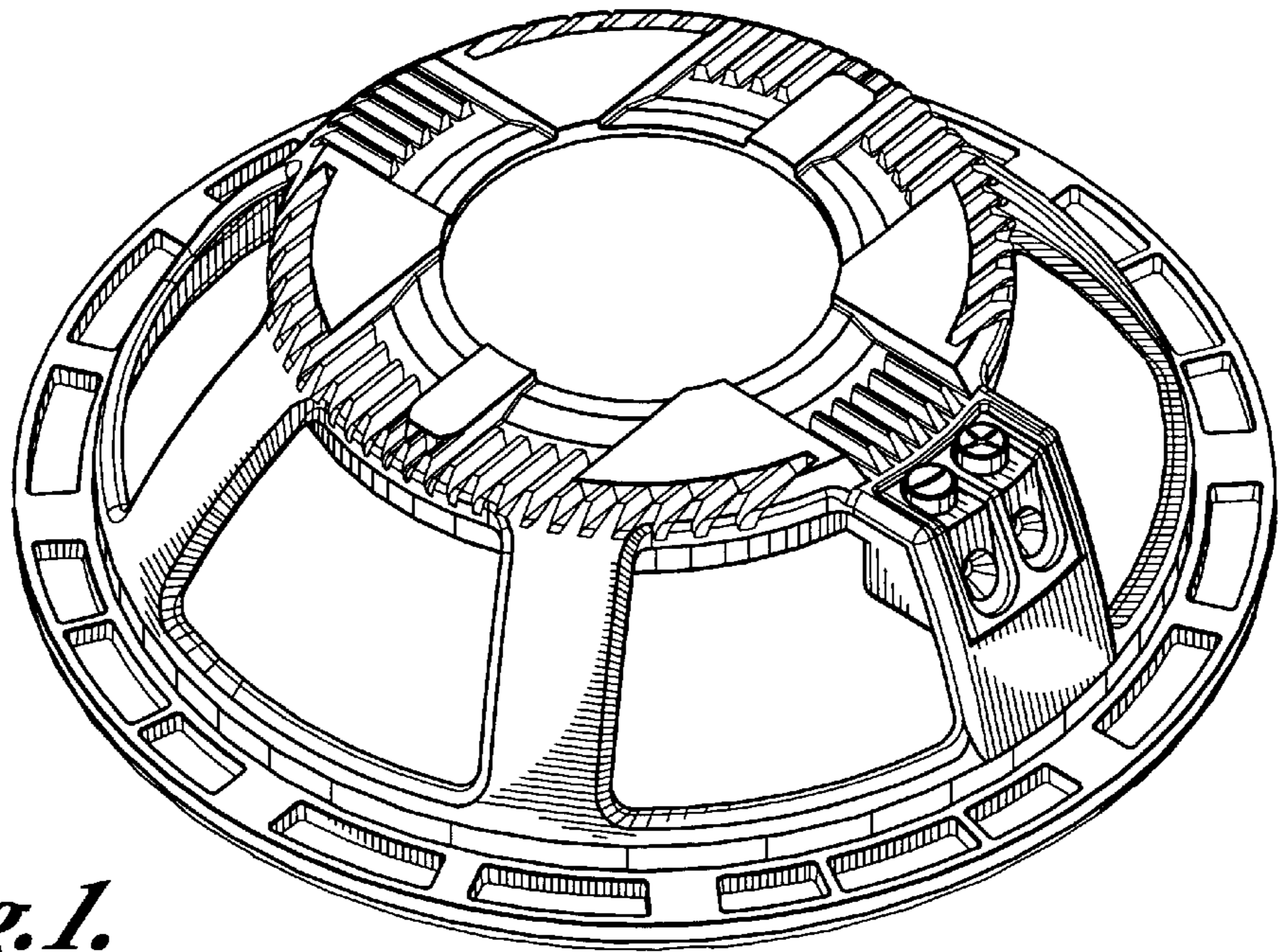


Fig. 1.

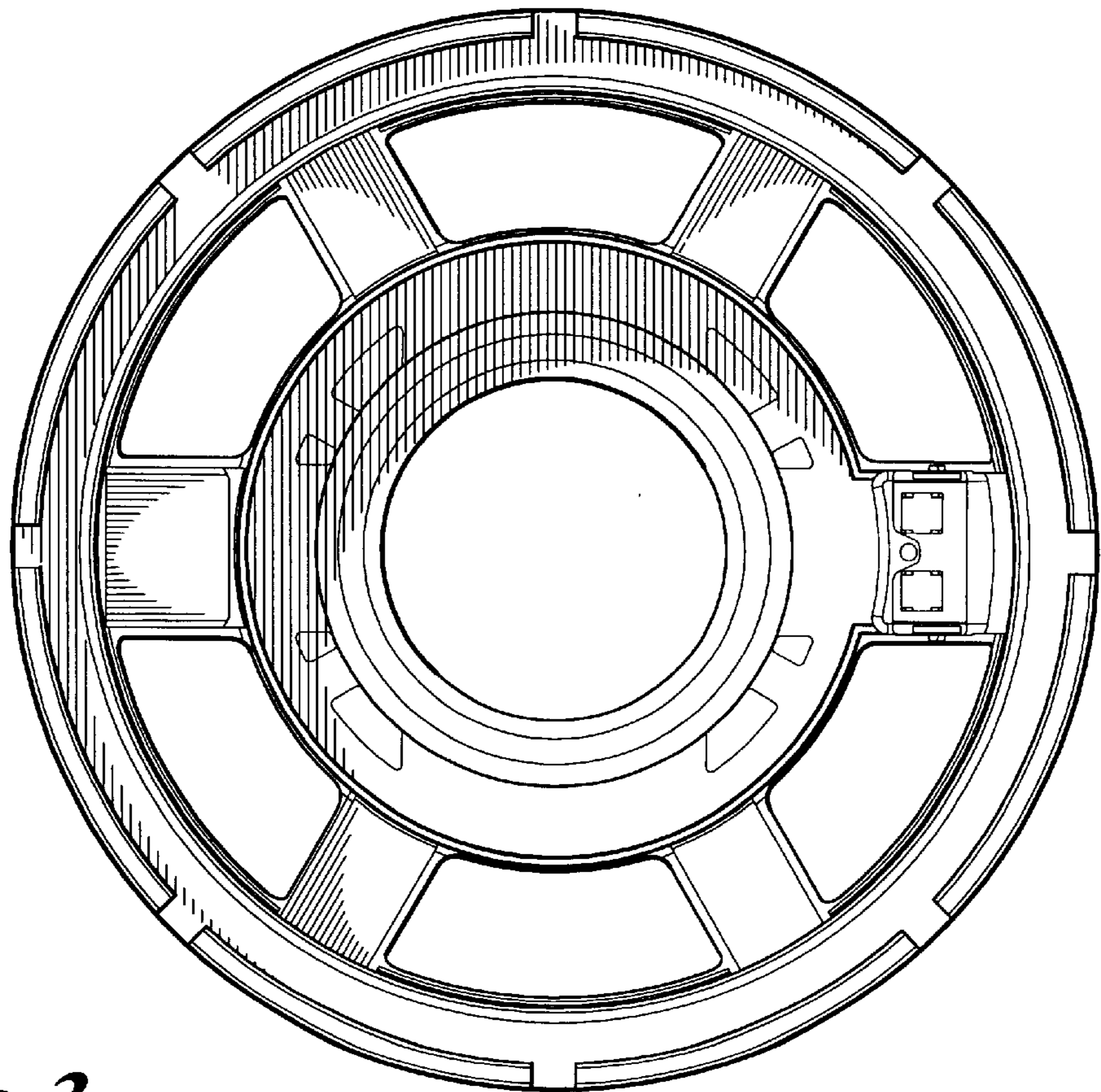


Fig. 2.

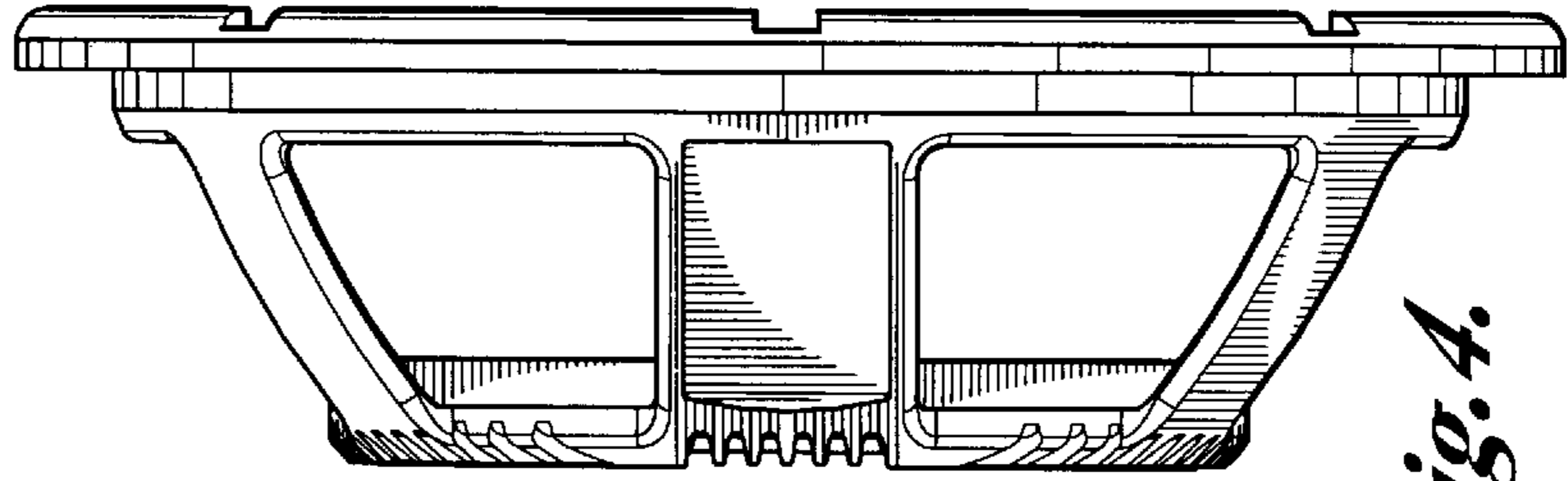


Fig. 4.

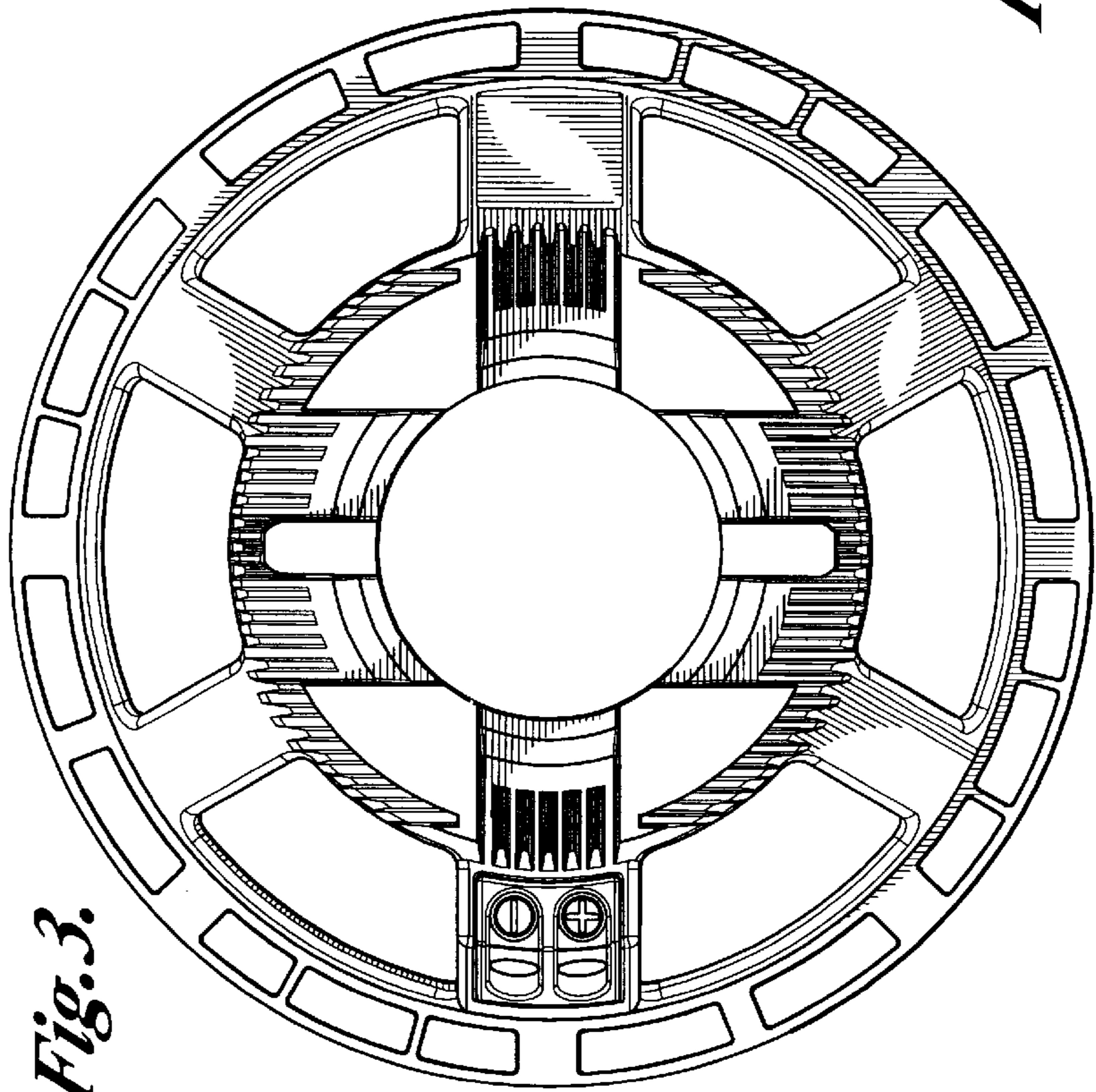


Fig. 3.

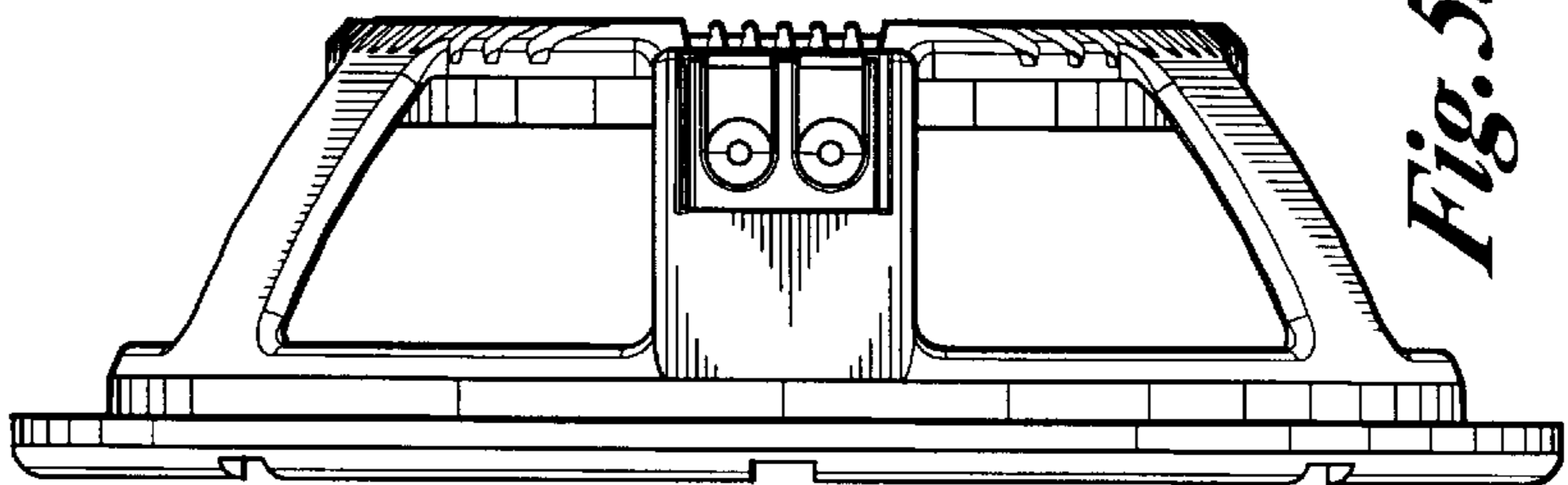


Fig. 5.

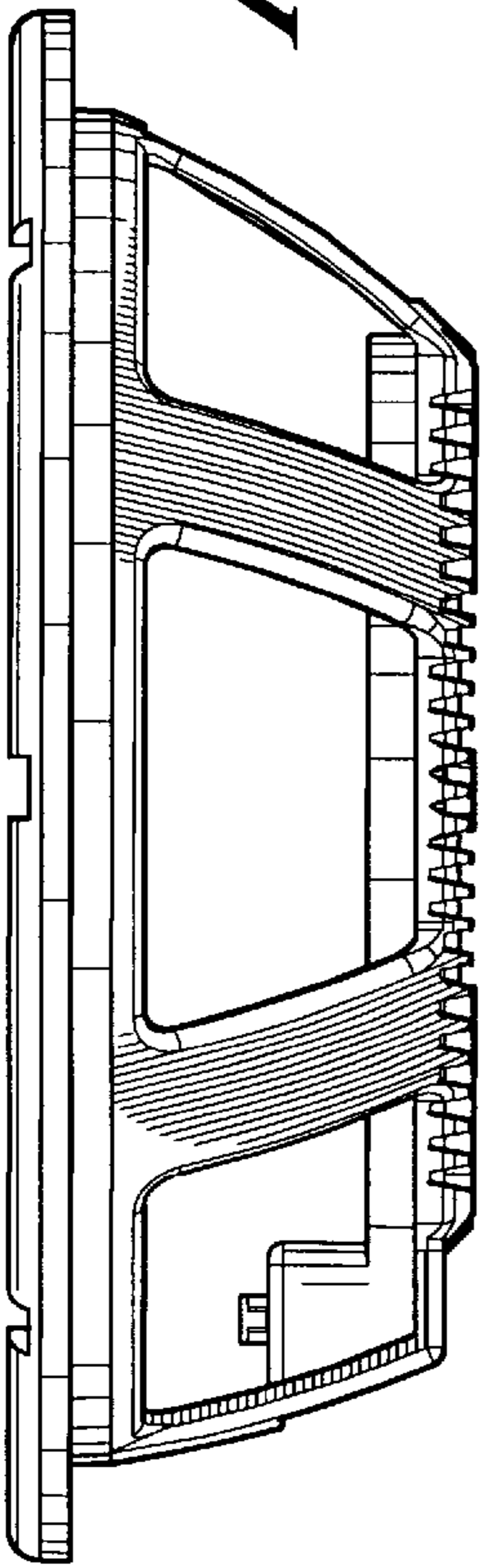


Fig. 6.

UNITED STATES PATENT AND TRADEMARK OFFICE
CERTIFICATE OF CORRECTION

PATENT NO. : Des 451,909 S
DATED : December 11, 2001
INVENTOR(S) : G.C. Mackie et al.

Page 1 of 1

It is certified that error appears in the above-identified patent and that said Letters Patent is hereby corrected as shown below:

Title page,

Item [56], **References Cited**, insert in appropriate order the following:

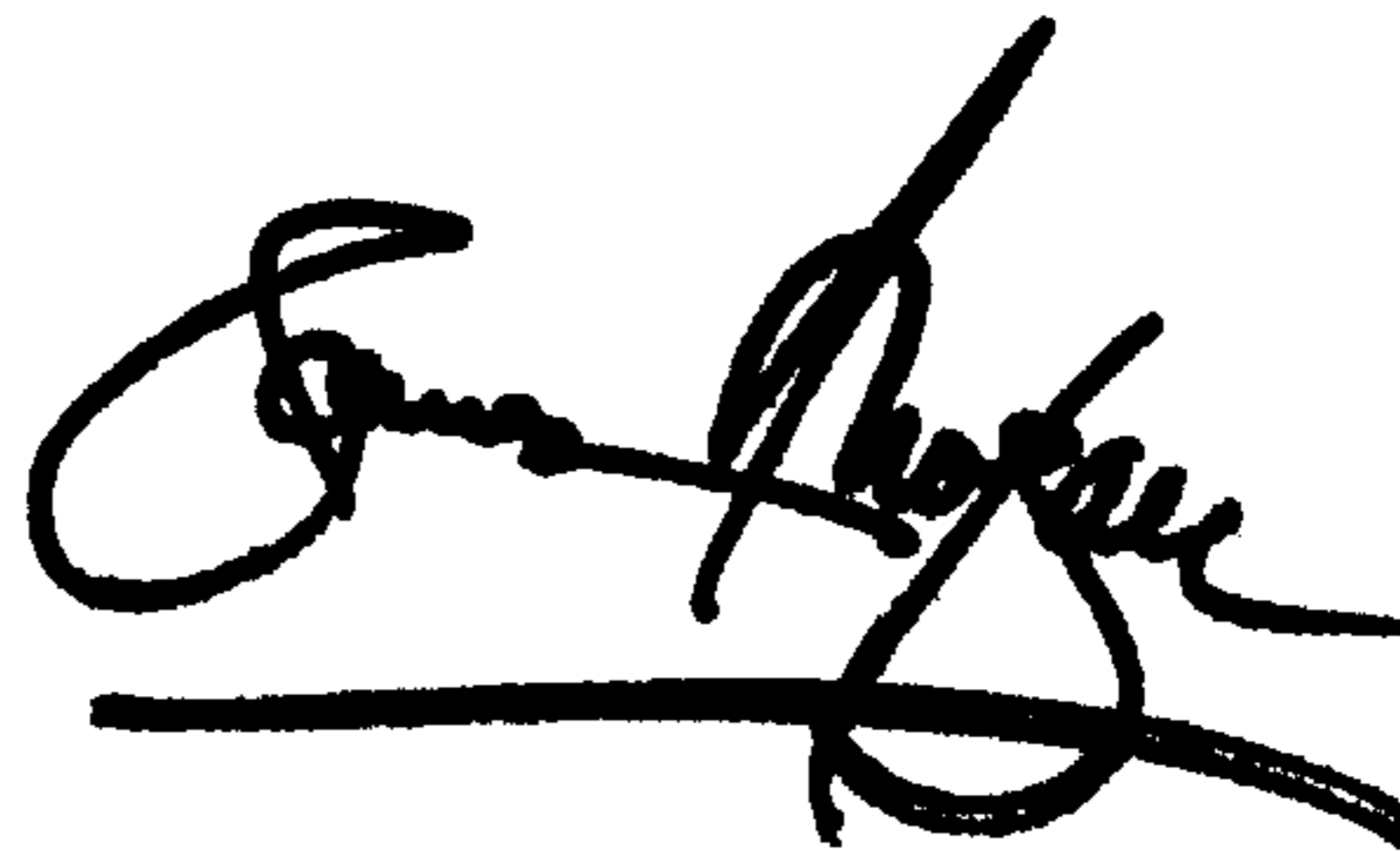
-- OTHER PUBLICATIONS

Carvin Winter 2000 catalog. p. 78, Speakers, Horn & Crossovers --

Signed and Sealed this

Thirtieth Day of July, 2002

Attest:



Attesting Officer

JAMES E. ROGAN
Director of the United States Patent and Trademark Office