



US00D451907B1

(12) **United States Design Patent**
Amae et al.

(10) **Patent No.:** **US D451,907 S**

(45) **Date of Patent:** **** Dec. 11, 2001**

(54) **HEADSET**

(75) Inventors: **Dominic C. Amae**, Aloha, OR (US);
Raymond K. Weikel; Bruce P. Lancaster, both of Camas, WA (US)

(73) Assignee: **Logitech Europe S.A.**,
Romanel-sur-Morges (CH)

(**) Term: **14 Years**

(21) Appl. No.: **29/140,176**

(22) Filed: **Apr. 10, 2001**

(51) **LOC (7) Cl.** **14-01**

(52) **U.S. Cl.** **D14/223; D14/206**

(58) **Field of Search** D14/188, 192,
D14/205-206, 223; 181/129-130; 379/430,
433; 381/370, 376-381

(56) **References Cited**

U.S. PATENT DOCUMENTS

- D. 366,486 * 1/1996 Runquist et al. D14/206
- D. 375,313 * 11/1996 Jensen et al. D14/206
- D. 392,290 * 3/1998 Andrea D14/223

- D. 403,327 * 12/1998 Landreth et al. D14/223
- 5,787,166 * 7/1998 Ullman 379/430

* cited by examiner

Primary Examiner—Nanda Bondade

(74) *Attorney, Agent, or Firm*—ipsolon llp.

(57) **CLAIM**

The ornamental design for a headset, as shown and described.

DESCRIPTION

FIG. 1 is an isometric front and right side view of a headset of the present invention.

FIG. 2 is a front view of the headset of FIG. 1.

FIG. 3 is a back view of the headset of FIG. 1.

FIG. 4 is a top plan view of the headset of FIG. 1.

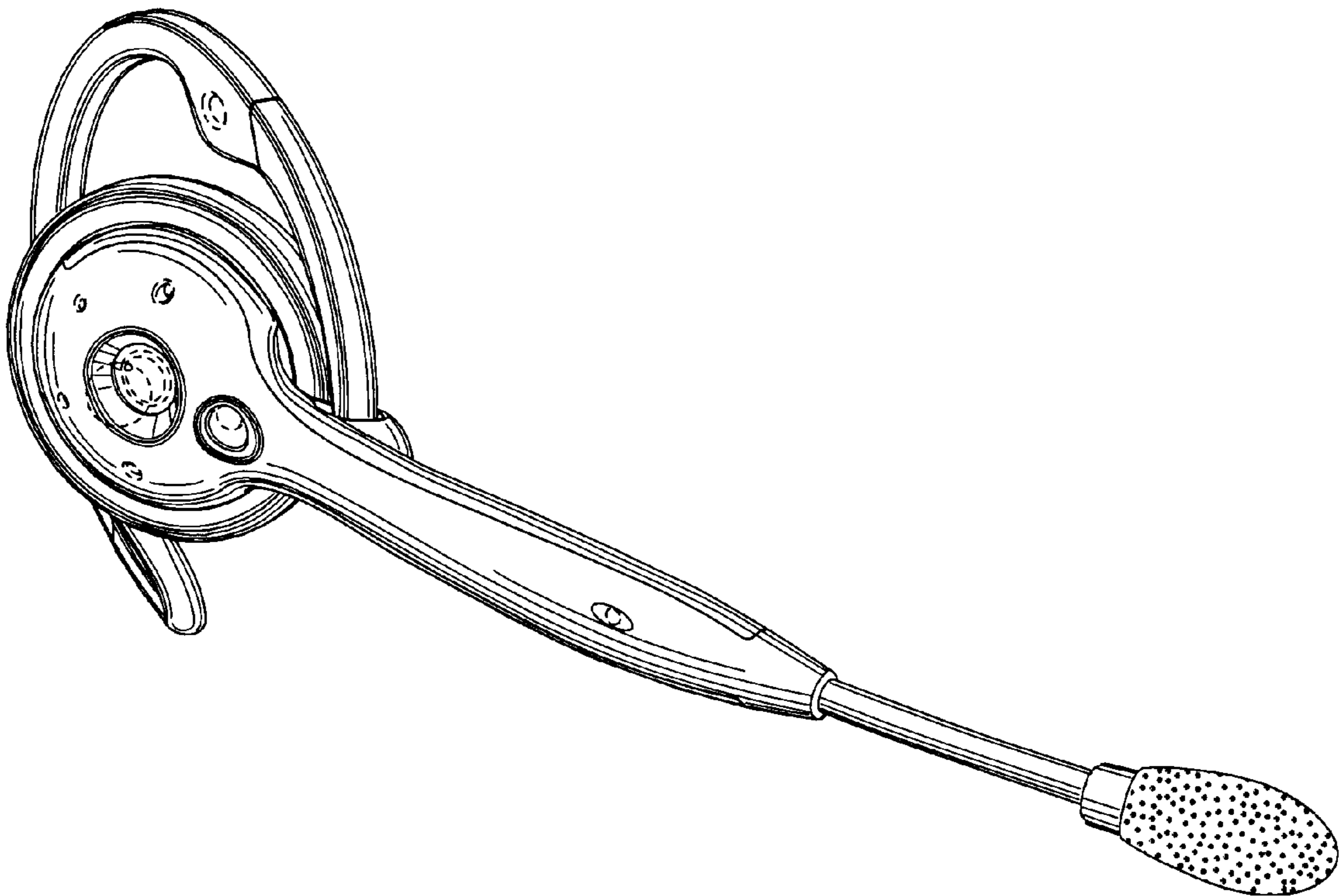
FIG. 5 is a right side view of the headset of FIG. 1.

FIG. 6 is a bottom plan view of the headset of FIG. 1; and,

FIG. 7 is a left view of the headset of FIG. 1.

The broken line showing on FIGS. 1 and 4-7 is for illustrative purposes only and forms no part of the claimed design.

1 Claim, 2 Drawing Sheets



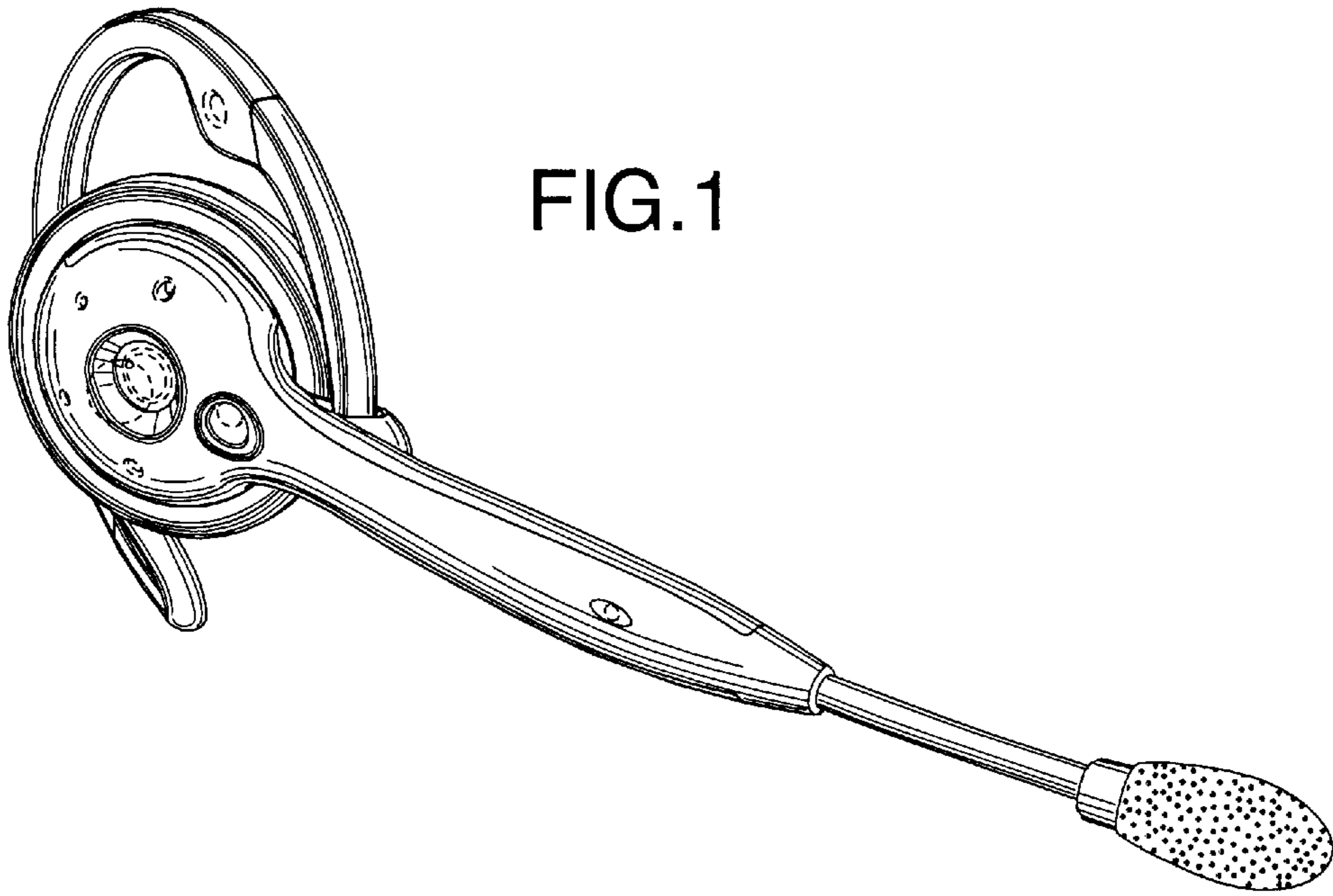


FIG. 1

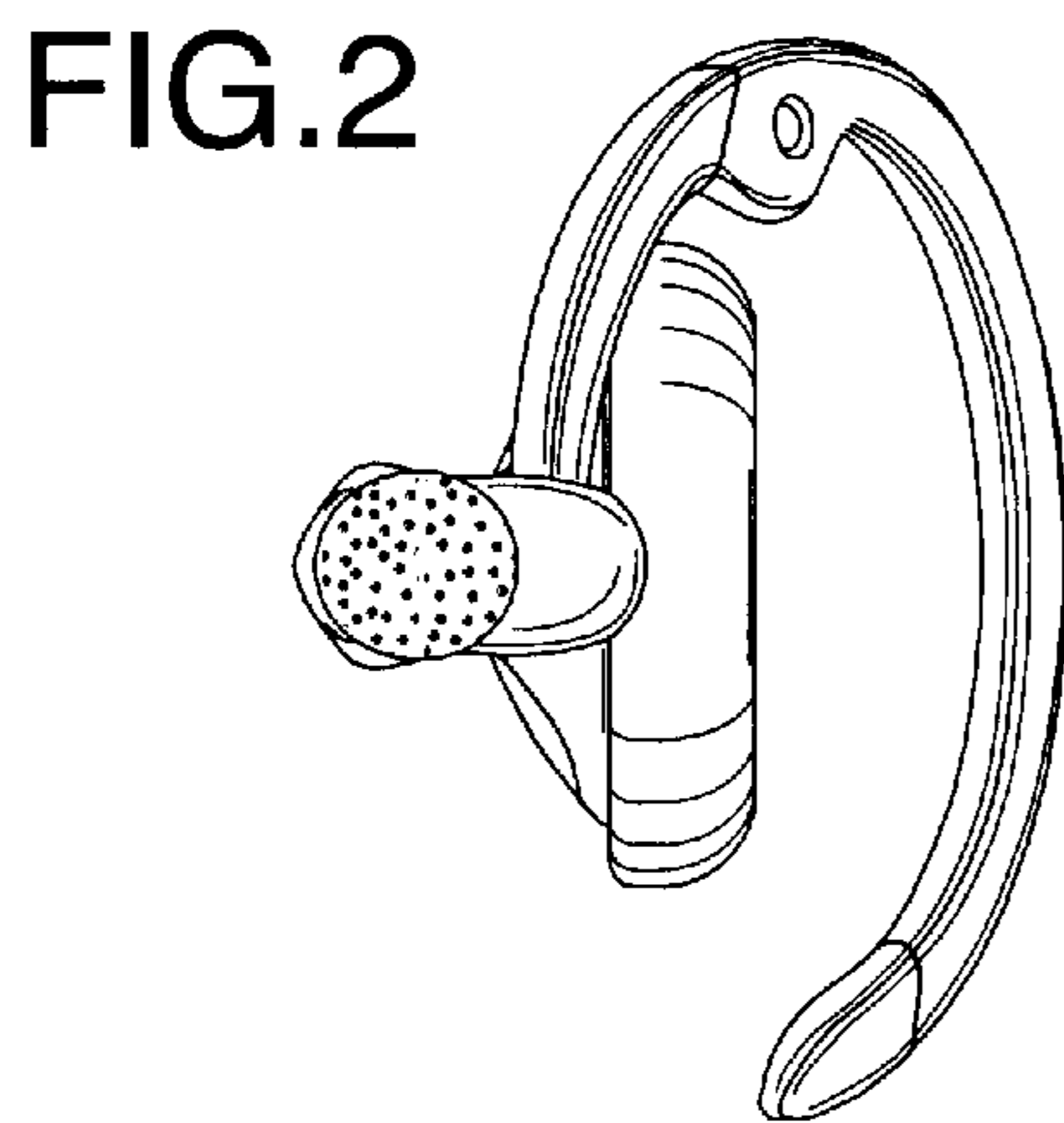


FIG. 2

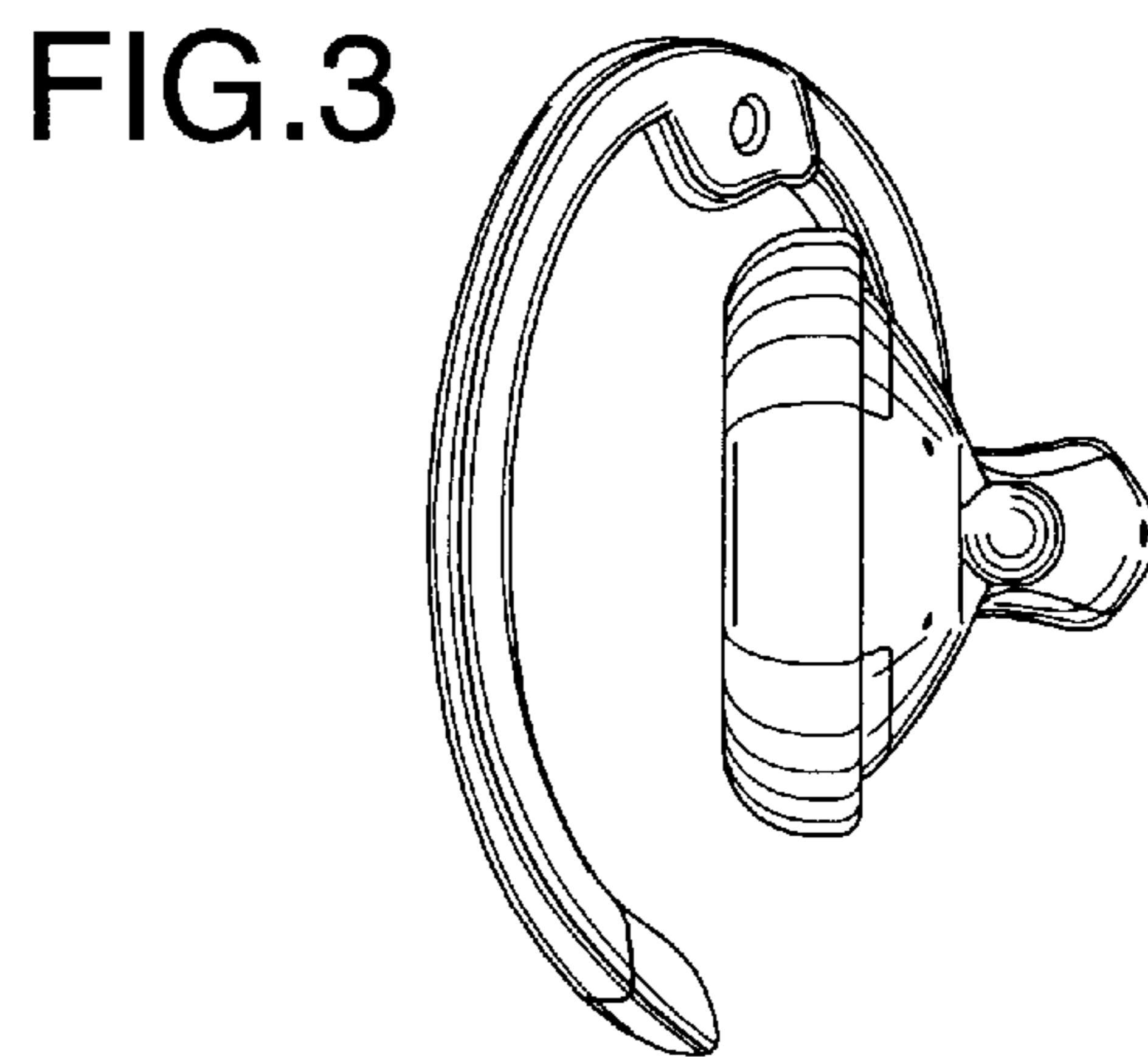


FIG. 3

