



US00D451906B1

(12) **United States Design Patent**
Amae et al.

(10) **Patent No.:** **US D451,906 S**

(45) **Date of Patent:** **** Dec. 11, 2001**

(54) **HEADSET**

(75) Inventors: **Dominic C. Amae**, Aloha, OR (US);
Raymond K. Weikel; Bruce P. Lancaster, both of Camas, WA (US)

(73) Assignee: **Logitech Europe S.A.**,
Romanel-sur-Morges (CH)

(**) Term: **14 Years**

(21) Appl. No.: **29/140,153**

(22) Filed: **Apr. 10, 2001**

(51) **LOC (7) Cl.** **14-01**

(52) **U.S. Cl.** **D14/223**

(58) **Field of Search** D14/188, 192,
D14/205-206, 223; 181/129-130; 379/430,
433; 381/370, 376-381

(56) **References Cited**

U.S. PATENT DOCUMENTS

- D. 337,119 * 7/1993 Taniguchi D14/223
- D. 369,349 * 4/1996 Hayashi D14/223

- D. 375,313 * 11/1996 Jensen et al. D14/206
- D. 431,235 * 9/2000 Lyman et al. D14/206
- 5,787,166 * 7/1998 Ullman 379/430

* cited by examiner

Primary Examiner—Nanda Bondade

(74) *Attorney, Agent, or Firm*—Ipsolon LLP.

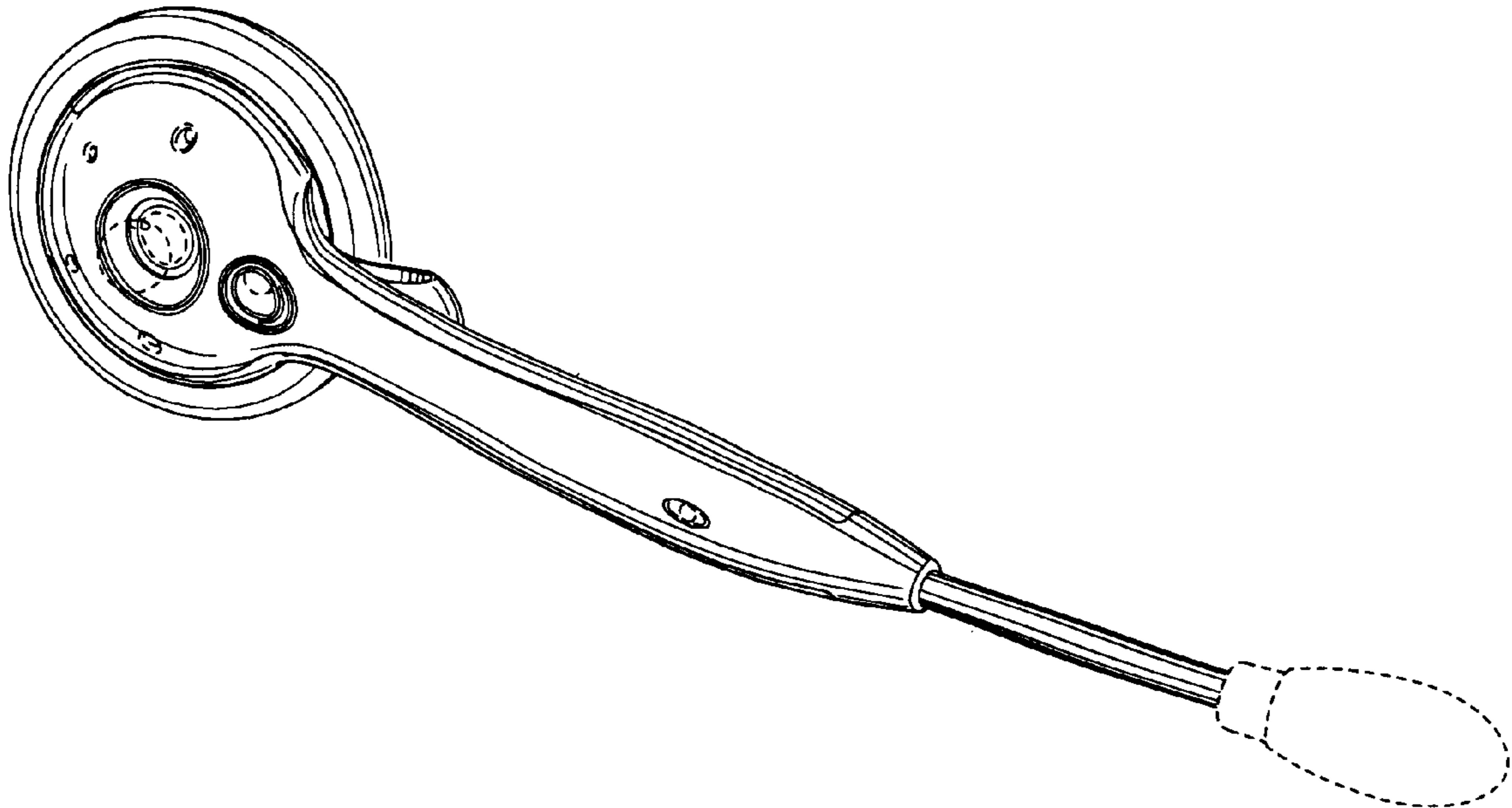
(57) **CLAIM**

The ornamental design for a headset, as shown and described.

DESCRIPTION

FIG. 1 is an isometric front and right side view of a headset showing our new design;
 FIG. 2 is a front elevational view thereof;
 FIG. 3 is a rear elevational view thereof;
 FIG. 4 is a top plan view thereof;
 FIG. 5 is a right side elevational view thereof;
 FIG. 6 is a bottom plan view thereof; and,
 FIG. 7 is a left side elevational view thereof.
 The broken line showing on FIGS. 1-7 is for illustrative purposes only and forms no part of the claimed design.

1 Claim, 2 Drawing Sheets



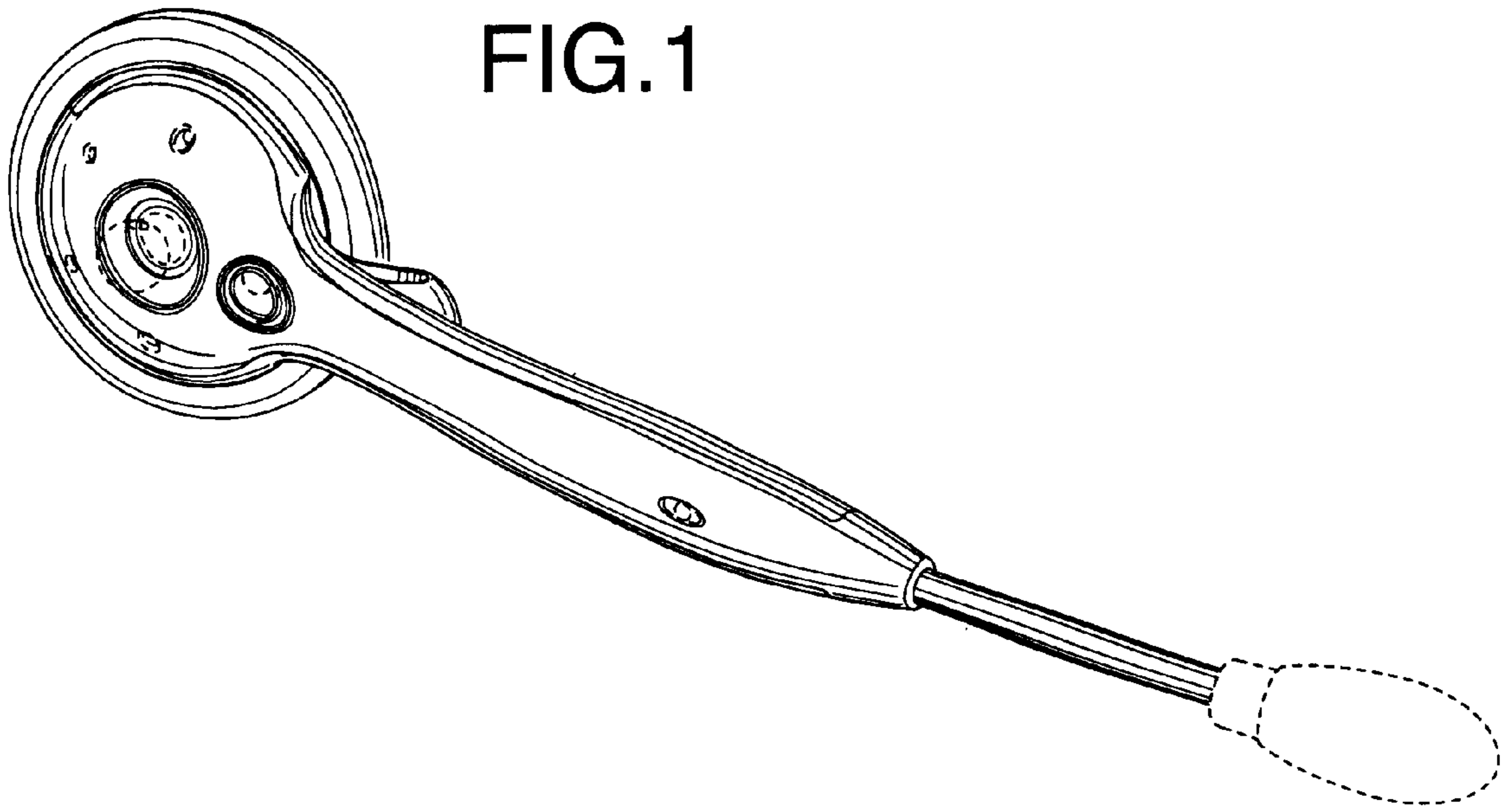


FIG.2

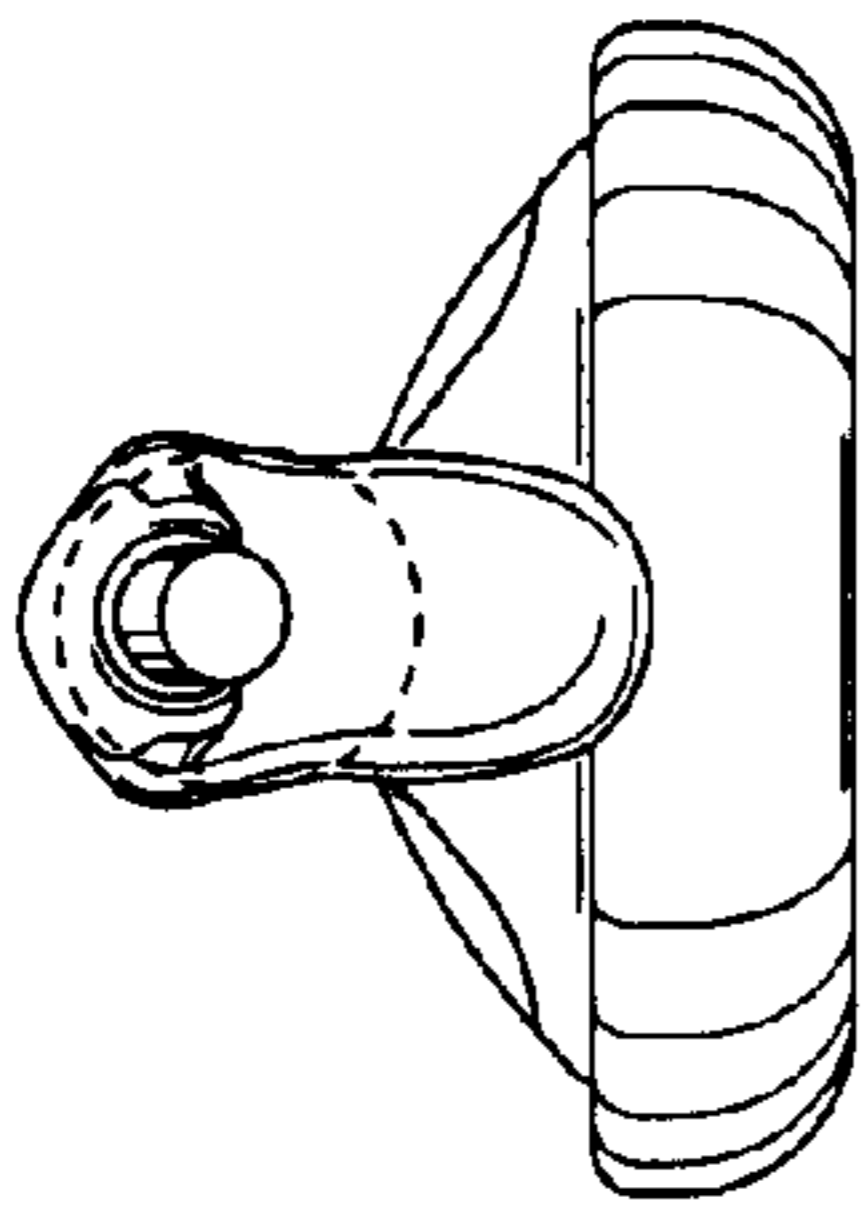


FIG.3

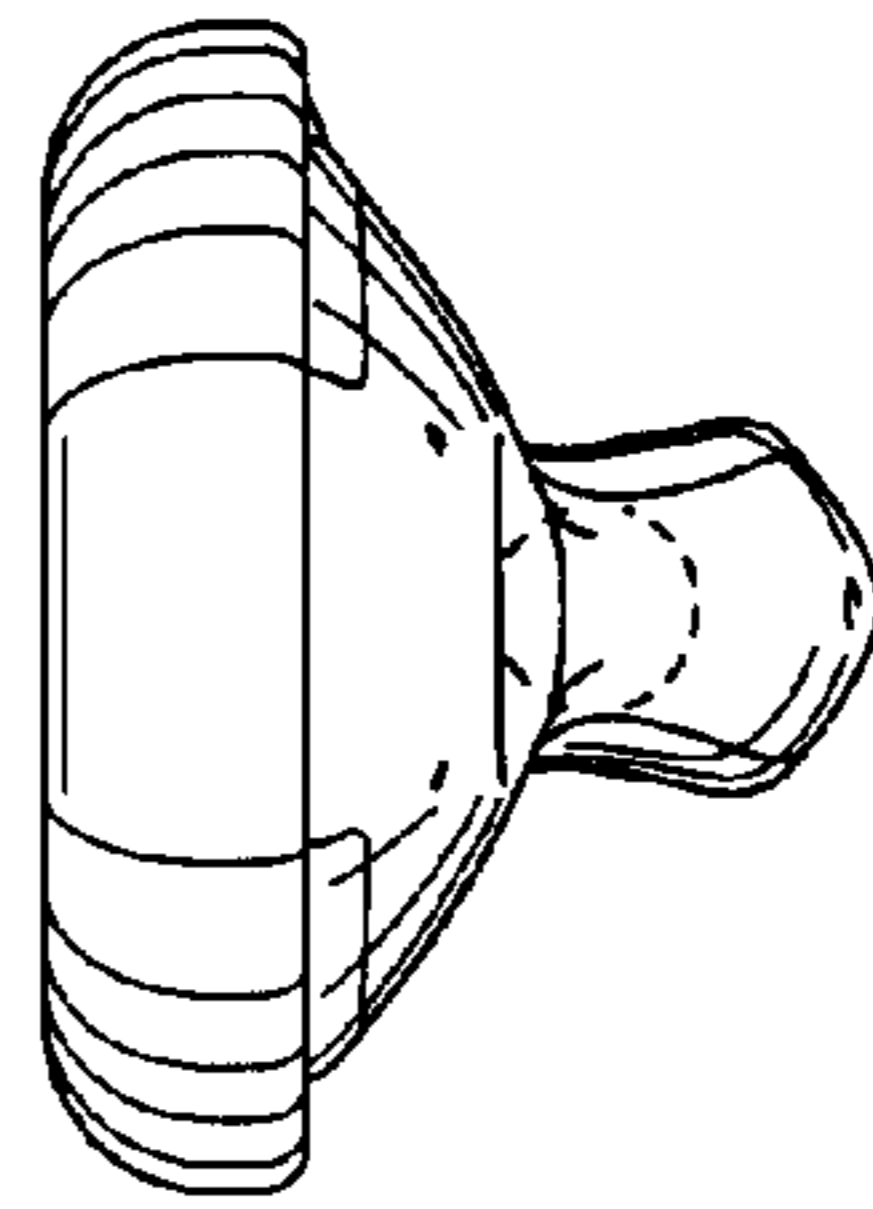


FIG. 4

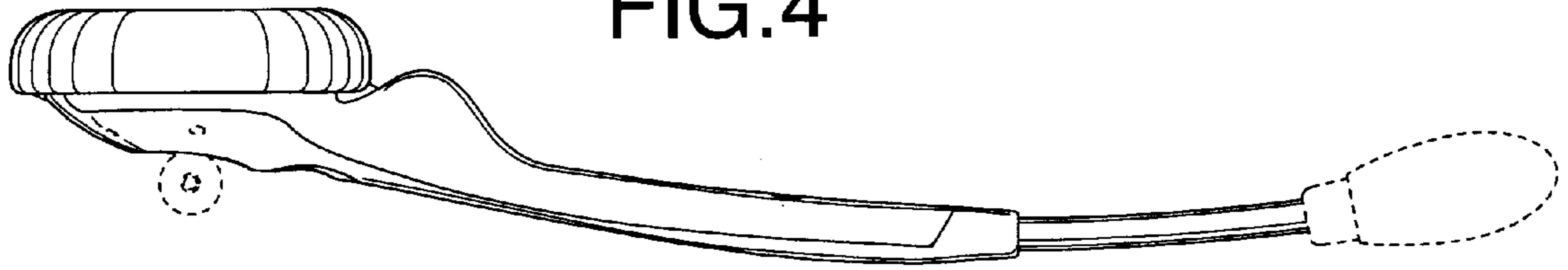


FIG. 5

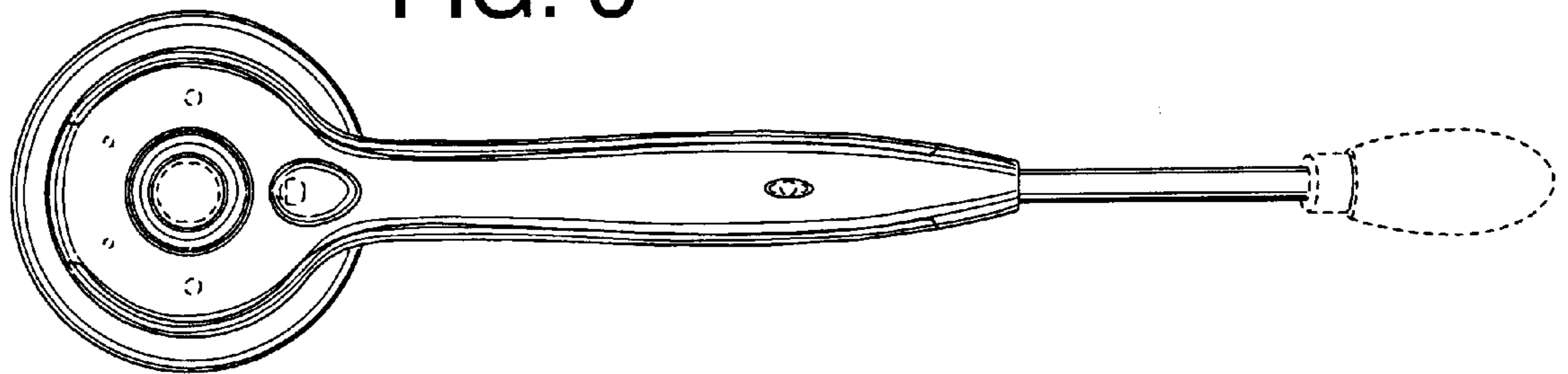


FIG. 6



FIG. 7

