



US00D451902B1

(12) **United States Design Patent**
Gustafson

(10) **Patent No.:** **US D451,902 S**

(45) **Date of Patent:** **** Dec. 11, 2001**

(54) **HEADWORN MICROPHONE**

(75) Inventor: **Zachary N. Gustafson**, Evanston, IL (US)

(73) Assignee: **Shure Incorporated**, Evanston, IL (US)

(**) Term: **14 Years**

(21) Appl. No.: **29/135,055**

(22) Filed: **Jan. 4, 2001**

(51) **LOC (7) Cl.** **14-01**

(52) **U.S. Cl.** **D14/206**

(58) **Field of Search** D14/147, 192,
D14/205, 206, 223, 248; 181/128-130;
379/430-431; 381/374, 376-379, 381

(56) **References Cited**

U.S. PATENT DOCUMENTS

- D. 361,066 * 8/1995 Langhorn et al. D14/206 X
- D. 403,681 * 1/1999 Lam D14/223
- D. 404,035 * 1/1999 Delazzer D14/206
- D. 407,734 * 1/1999 Andrea D14/206
- 3,280,273 * 10/1966 Flygstad et al. 379/430

OTHER PUBLICATIONS

Advertisement for Electro-Voice HM1x Headset Microphone, a MARK IV company.
 Advertisement for Beyerdynamic NEM 194 Neckworn Microphone.
 Instruction manual for Crown CM-311A and CM-311A/E Differoid Head-Worn Condenser Microphone, May, 1998.
 Advertisement for Sennheiser NB 2 Headmic Adaptor, Jun., 1996.
 Instruction manual for Sennheiser NB 2 Headmic Adaptor, Aug., 1996.
 AKG Acoustics C 420 Headset MicroMic, index of AKG Acoustics micromics, www.akg-acoustics.com, Sep., 1998.
 DPA Microphones, Type 4065-FL, DPA Microphones product listing, www.danishproaudio.com, Jul., 1998.
 DPA Microphones, Type 4065-FR, DPA Microphones product listing, www.danishproaudio.com, Jul., 1998.

DPA Microphones, Type 4065-BR, DPA Microphones product listing, www.danishproaudio.com, Jul., 1998.
 DPA Microphones, Type 4065-BL, DPA Microphones product listing, www.danishproaudio.com, Jul., 1998.
 Advertisement for Jensen JB12 and JB15 headset earphones.
 Advertisement for Samson QE MIC Aerobics Headset Mic For Wireless.
 Advertisement for Samson QV MIC Vocal Headset Mic For Wireless.
 Advertisement for Full Compass Headworm microphones, catalog, p. 16.
 AKG Acoustics O E M Products listing, city-elf headset, www.akg-acoustics.com, Dec. 1998.

* cited by examiner

Primary Examiner—Nanda Bondade

(74) *Attorney, Agent, or Firm*—Banner & Witcoff, Ltd.

(57) **CLAIM**

The ornamental design for a headworn microphone, as shown and described.

DESCRIPTION

FIG. 1 is a perspective view of a headworn microphone design, the broken line showing of the human head is for illustrative purposes only and forms no part of the claimed design;
 FIG. 2 is an enlarged perspective view thereof;
 FIG. 3 is a top view thereof;
 FIG. 4 is a left side view thereof;
 FIG. 5 is a right side view thereof;
 FIG. 6 is a bottom view thereof;
 FIG. 7 is a front view thereof;
 FIG. 8 is a rear view thereof;
 FIG. 9 is an enlarged perspective view of the microphone coupler, taken along 9—9 on FIG. 2;
 FIG. 10 is a bottom view thereof without the microphone boom or wire, shown separately for clarity of illustration;
 FIG. 11 is a side view thereof;
 FIG. 12 is a bottom view thereof; and,
 FIG. 13 is a top view thereof.

1 Claim, 4 Drawing Sheets

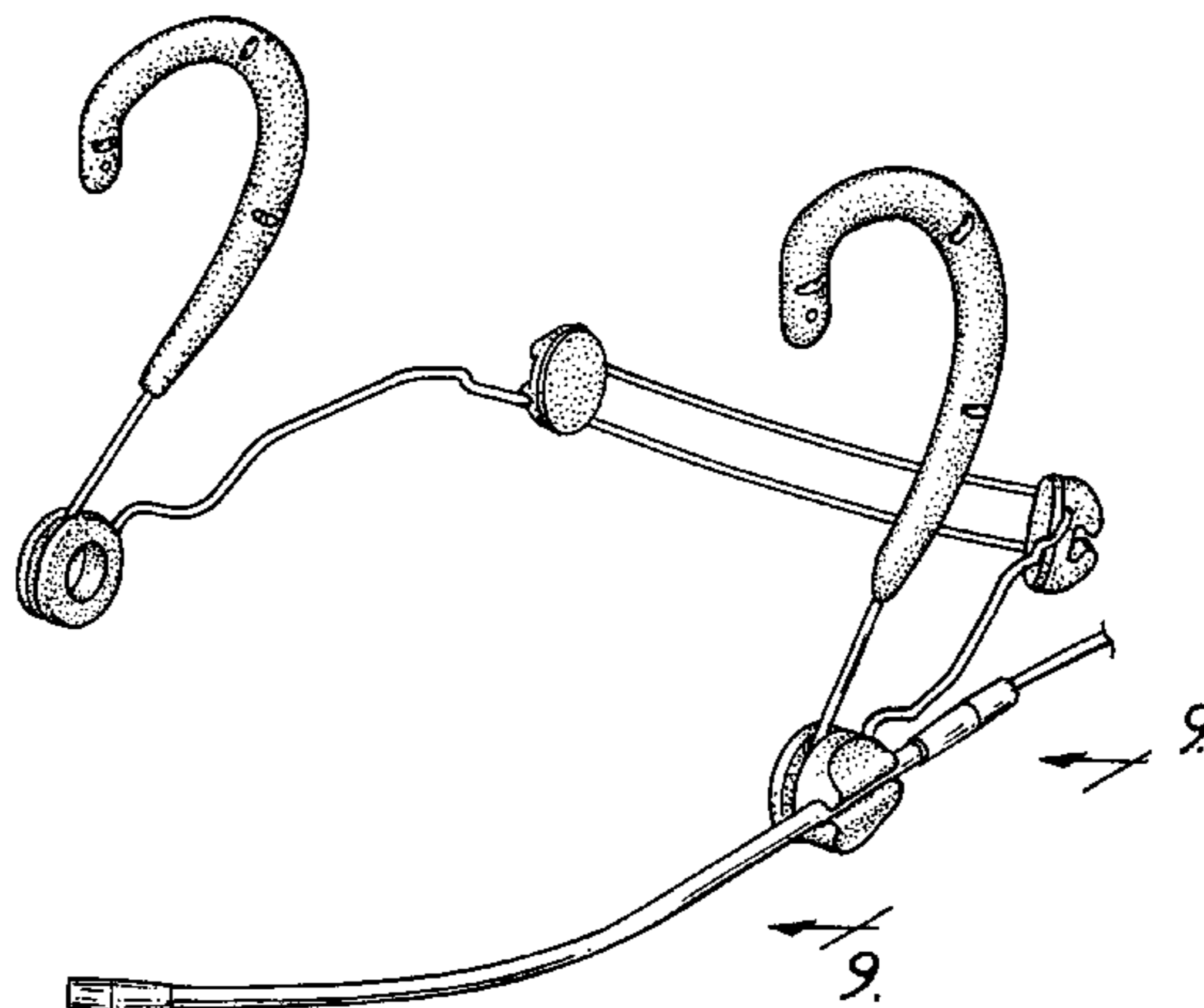


FIG. 1

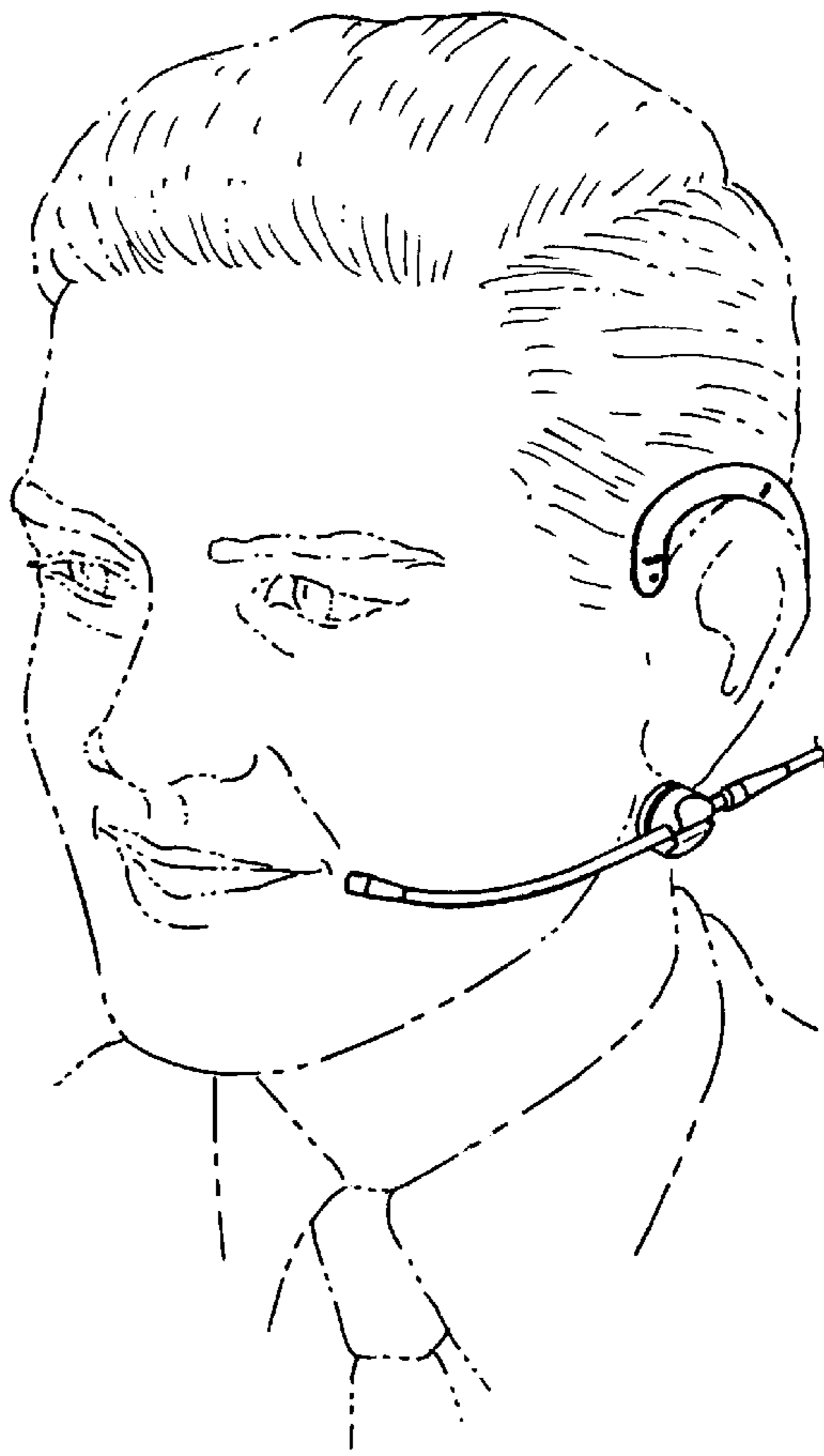


FIG. 2

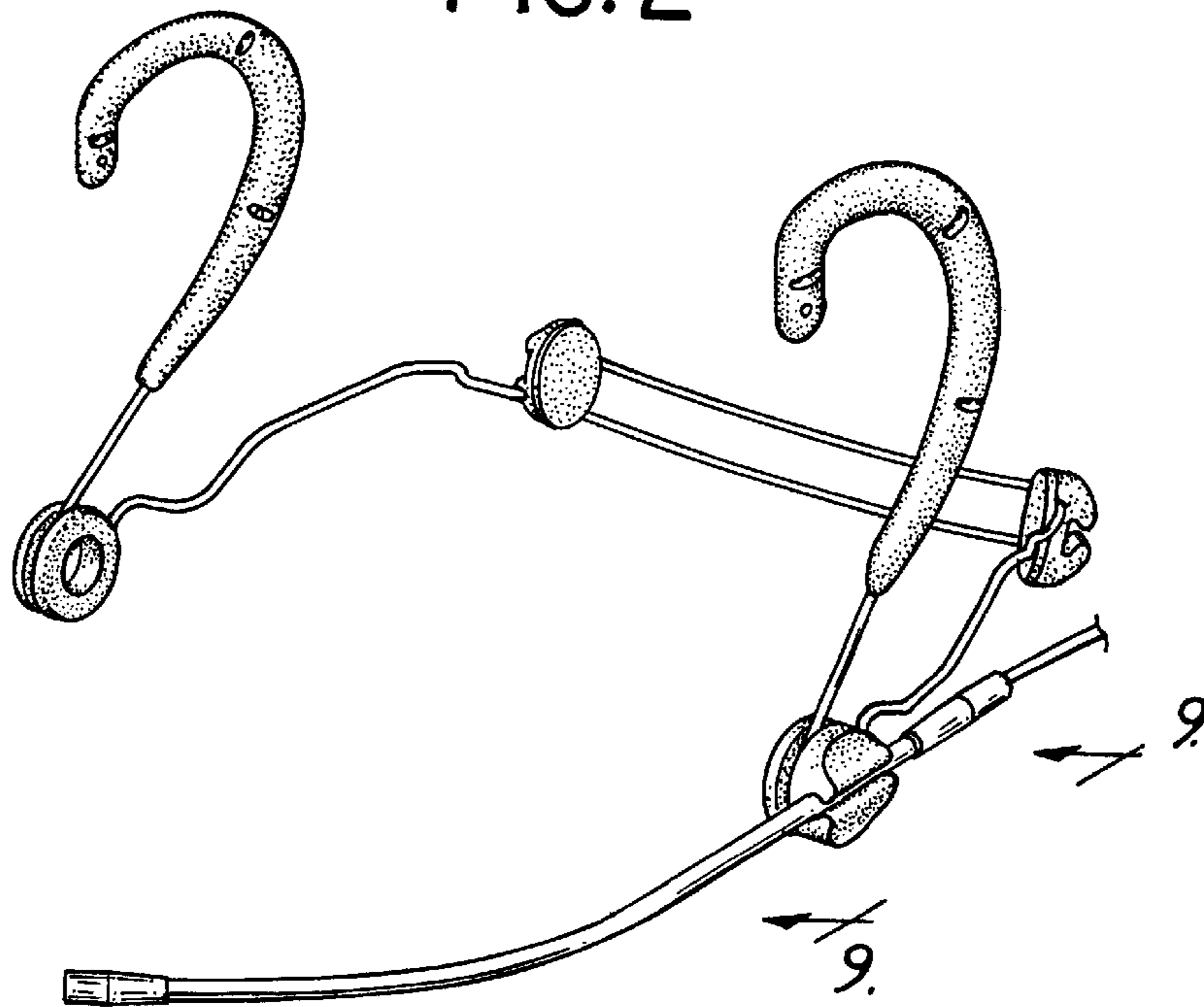


FIG.3

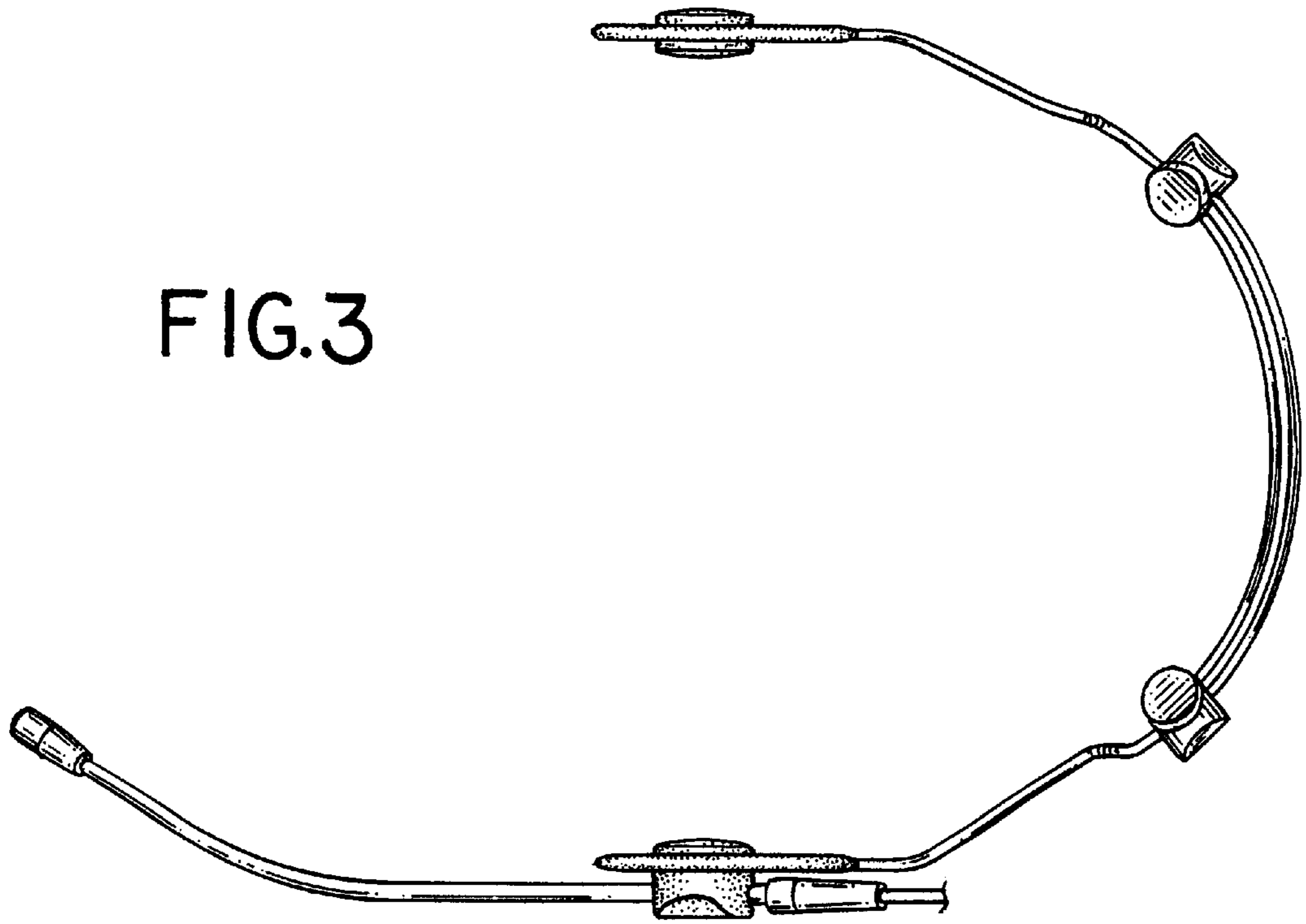
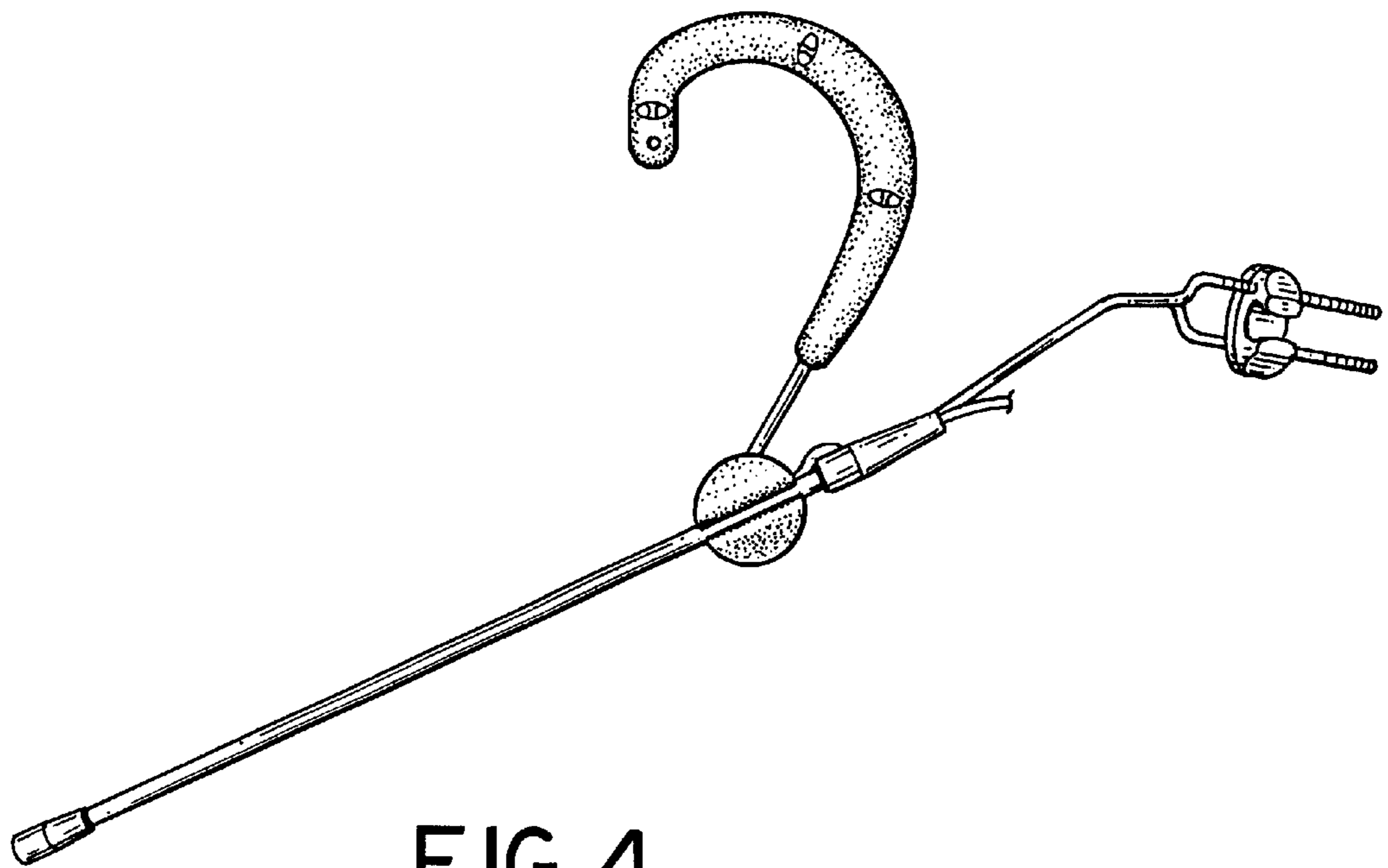


FIG.4



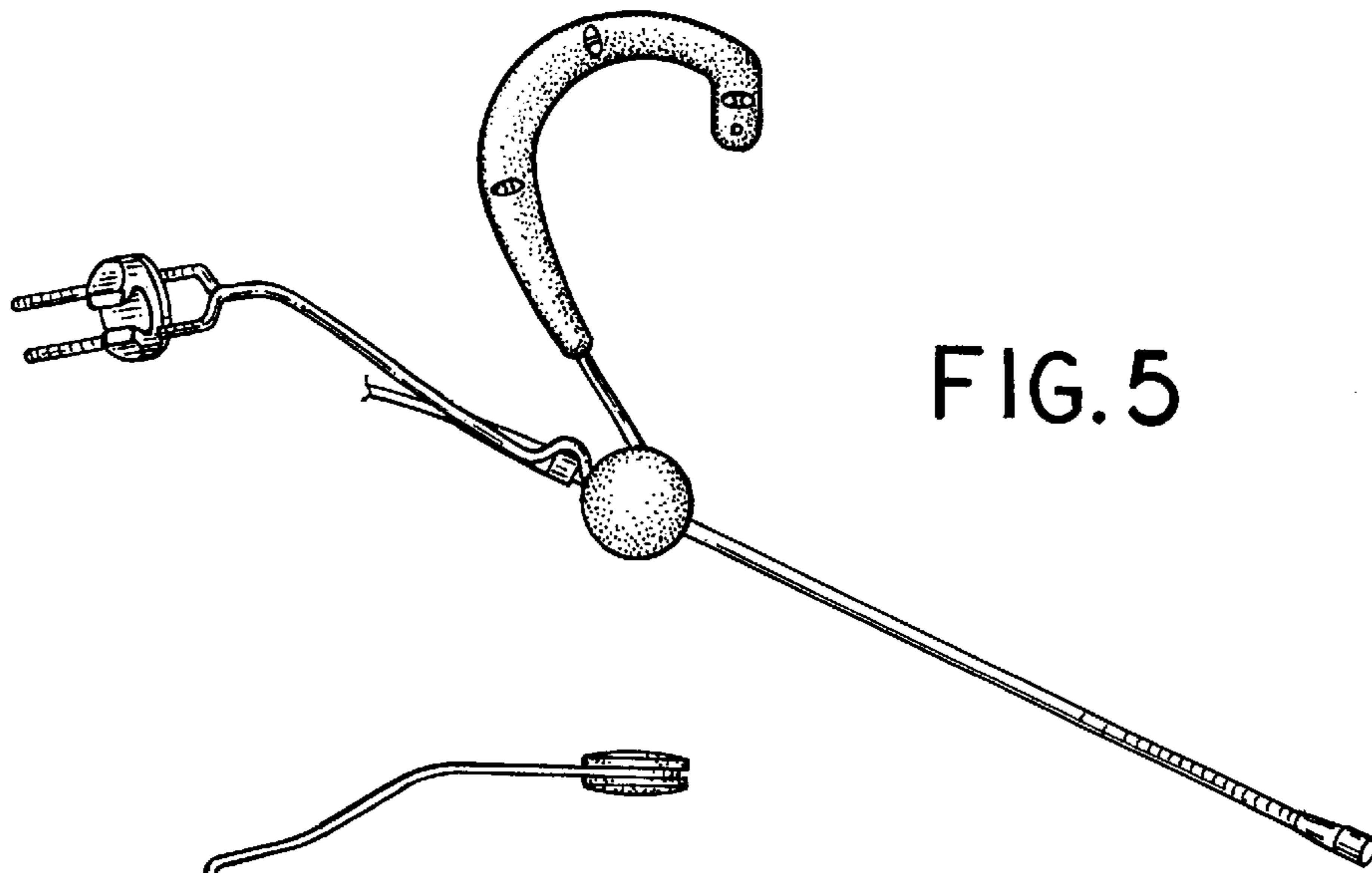


FIG. 5

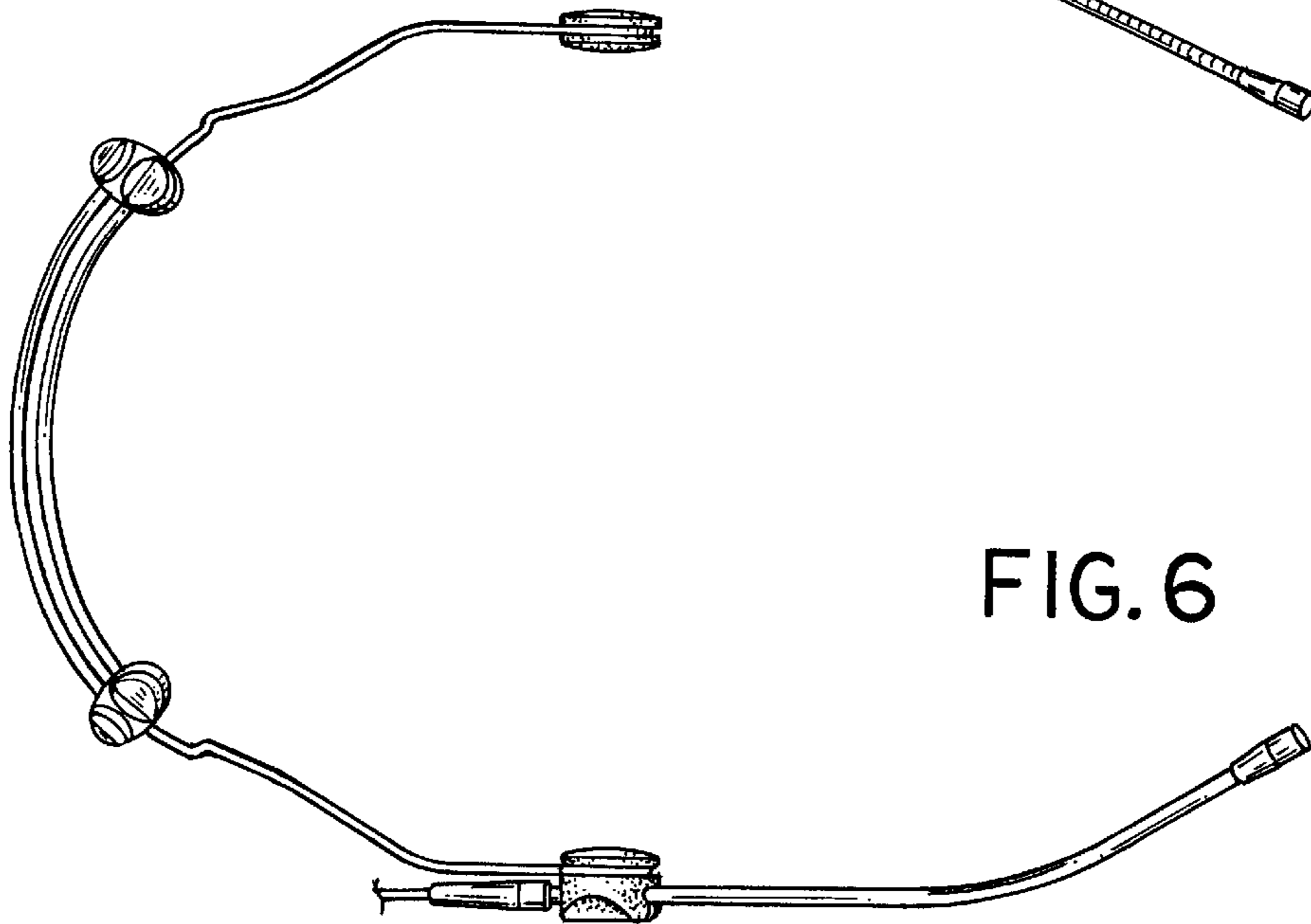


FIG. 6

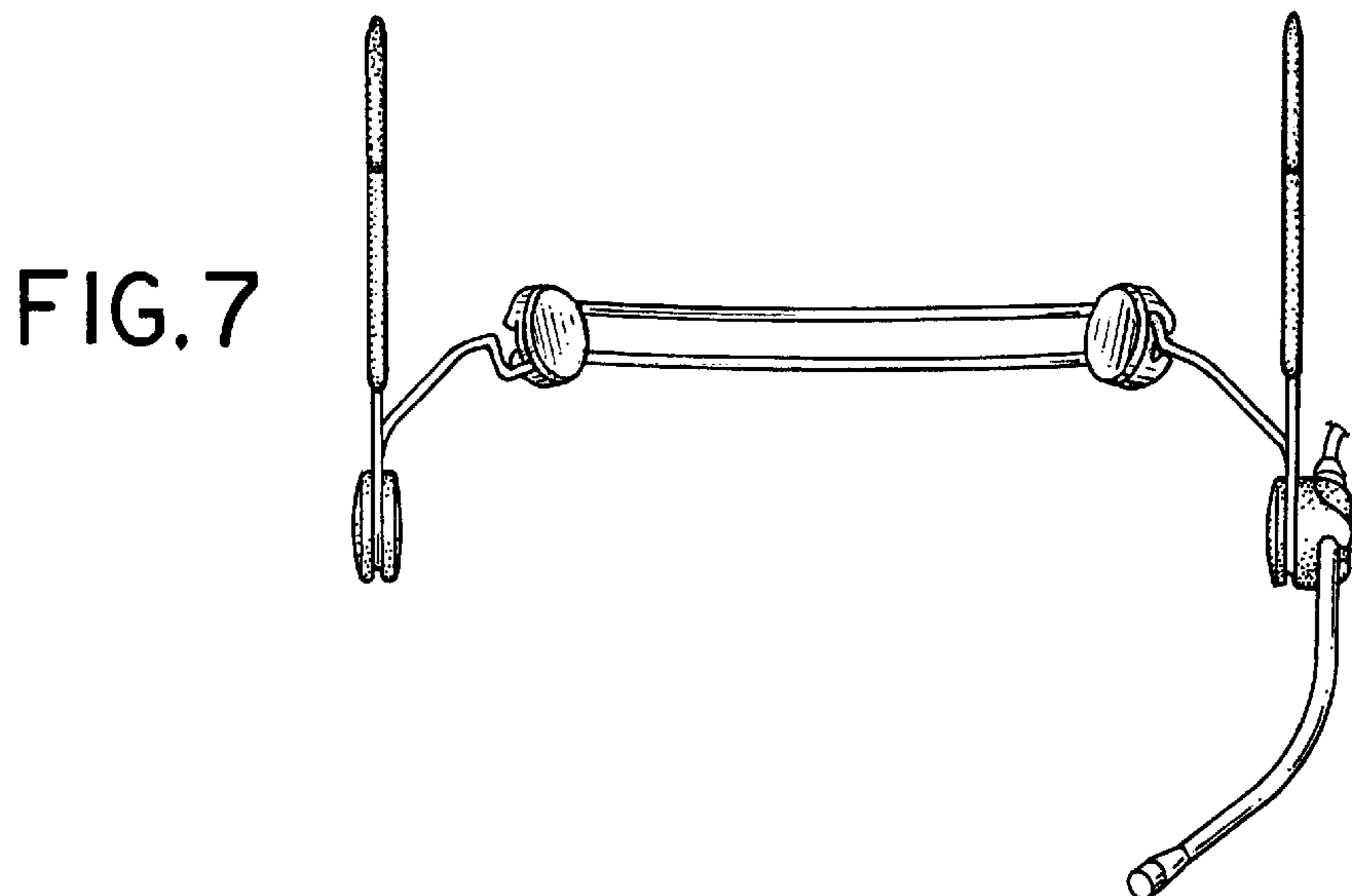


FIG. 7

FIG. 8

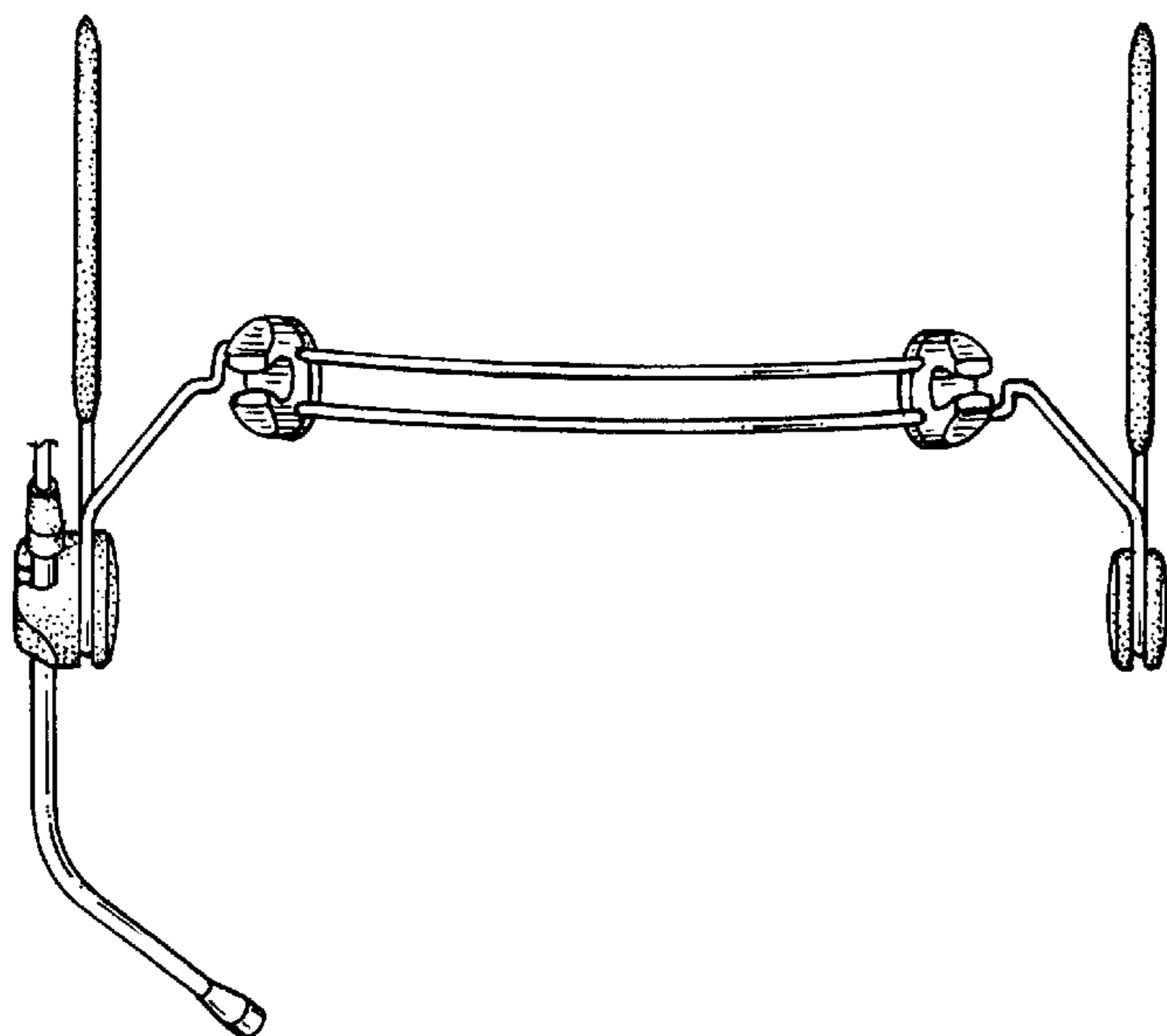


FIG. 9

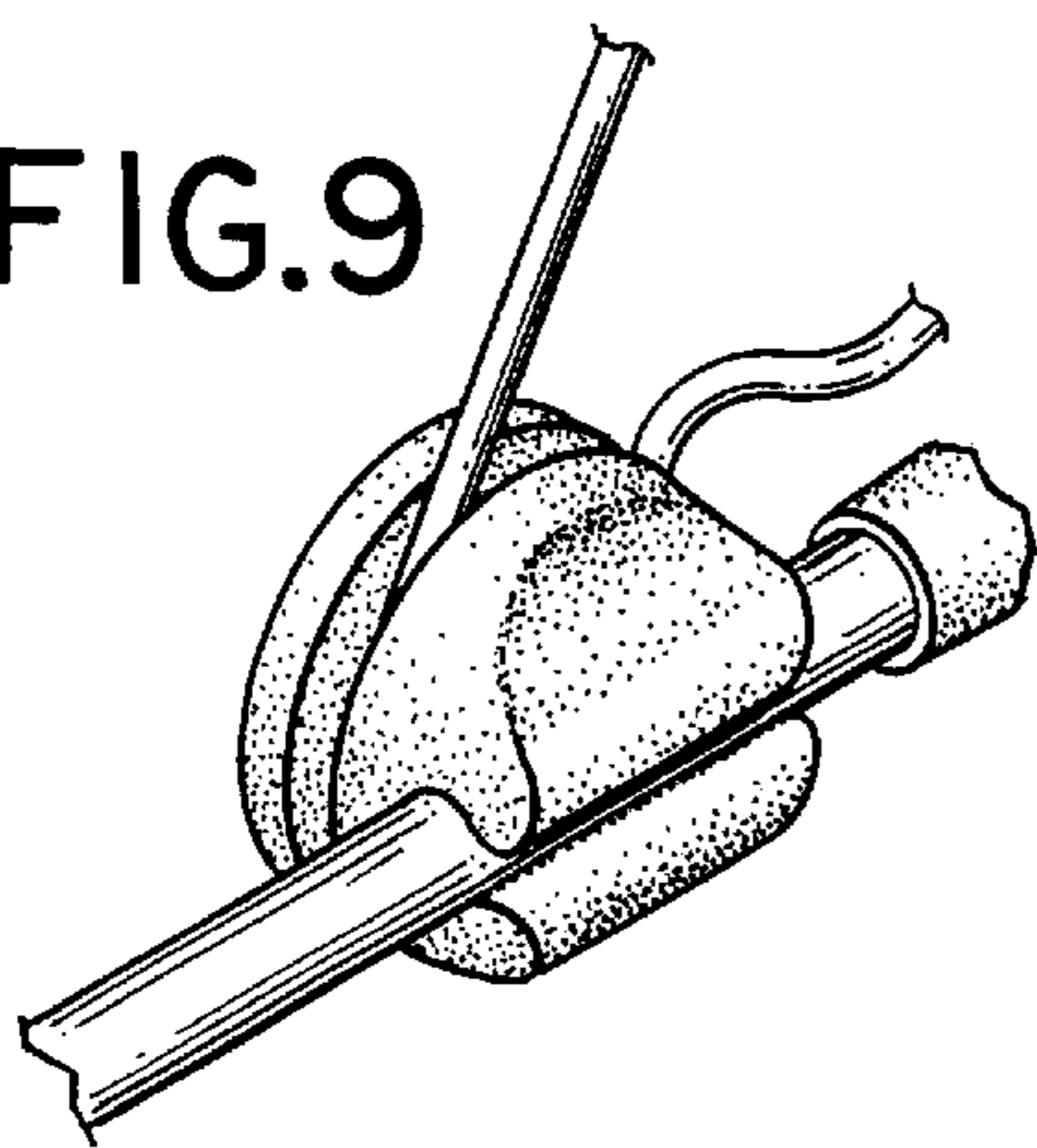


FIG. 10

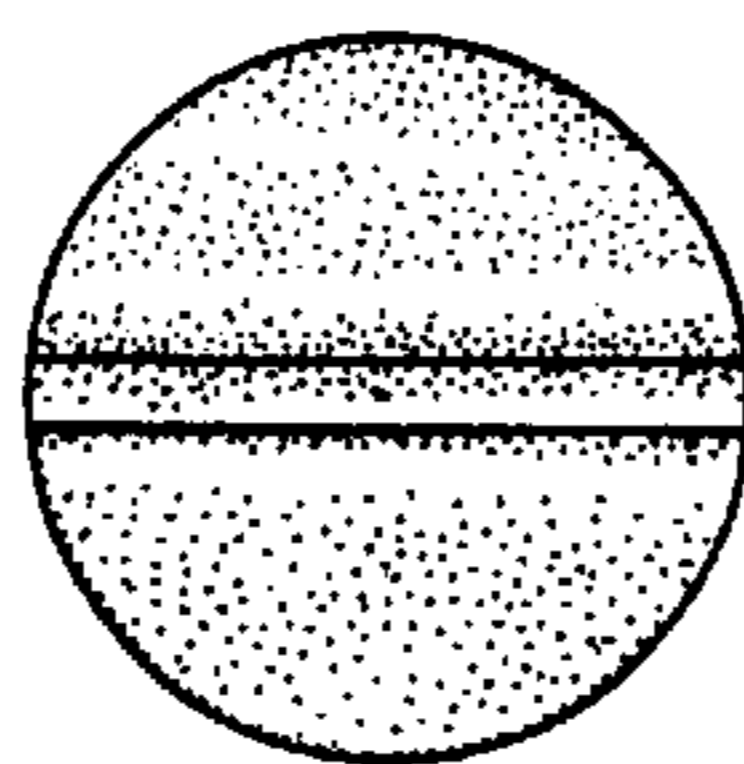


FIG. 11

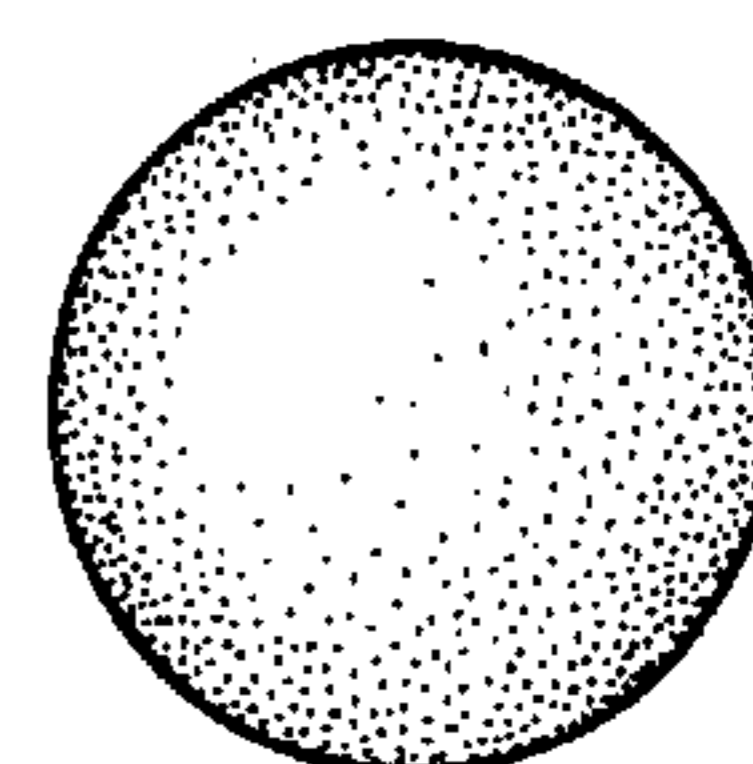
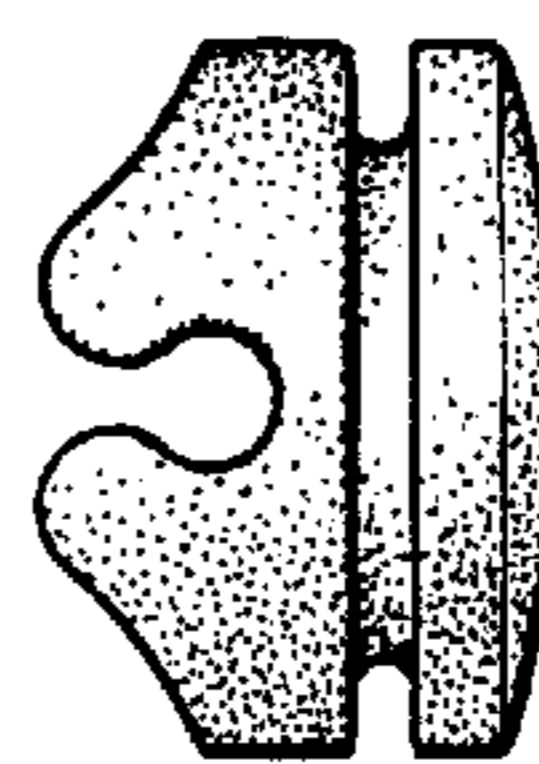


FIG. 13

FIG. 12

