



US00D451895B1

(12) **United States Design Patent**  
**Lavelle et al.**

(10) **Patent No.:** **US D451,895 S**

(45) **Date of Patent:** **\*\* Dec. 11, 2001**

(54) **STOWABLE DISPLAY SYSTEM WITH VIDEO PLAYER**

(75) Inventors: **Patrick M. Lavelle**, Sayville; **James R. Tranchina**, Dix Hills, both of NY (US)

(73) Assignee: **Audiovox Corporation**, Hauppauge, NY (US)

(\*\*) Term: **14 Years**

(21) Appl. No.: **29/131,768**

(22) Filed: **Oct. 27, 2000**

(51) **LOC (7) Cl.** ..... **14-03**

(52) **U.S. Cl.** ..... **D14/132; D14/126**

(58) **Field of Search** ..... D14/125-136, D14/239, 371, 374, 315, 327, 418, 345, 415; D6/432, 436, 445, 448; 296/37.1, 37.8, 37.7, 70; 224/311, 539; 348/180, 184, 325, 739, 825

(56) **References Cited**

**U.S. PATENT DOCUMENTS**

- D. 324,044 \* 2/1992 Katayama ..... D14/129
- D. 330,545 \* 10/1992 Ashihara ..... D14/374
- D. 391,926 \* 3/1998 Brunner ..... D14/132
- D. 412,701 \* 8/1999 Cantu ..... D14/315
- D. 412,892 \* 8/1999 Lee ..... D14/126
- D. 413,856 \* 9/1999 Scribner ..... D14/132
- D. 416,015 \* 11/1999 Mitchell ..... D14/327

- D. 434,762 \* 12/2000 Ikenaga ..... D14/371
- D. 442,153 \* 5/2001 Lavelle et al. .... D14/126
- D. 443,255 \* 6/2001 Lavelle et al. .... D14/126

\* cited by examiner

*Primary Examiner*—Raphael Barkai

(74) *Attorney, Agent, or Firm*—F. Chau & Associates, LLP

(57) **CLAIM**

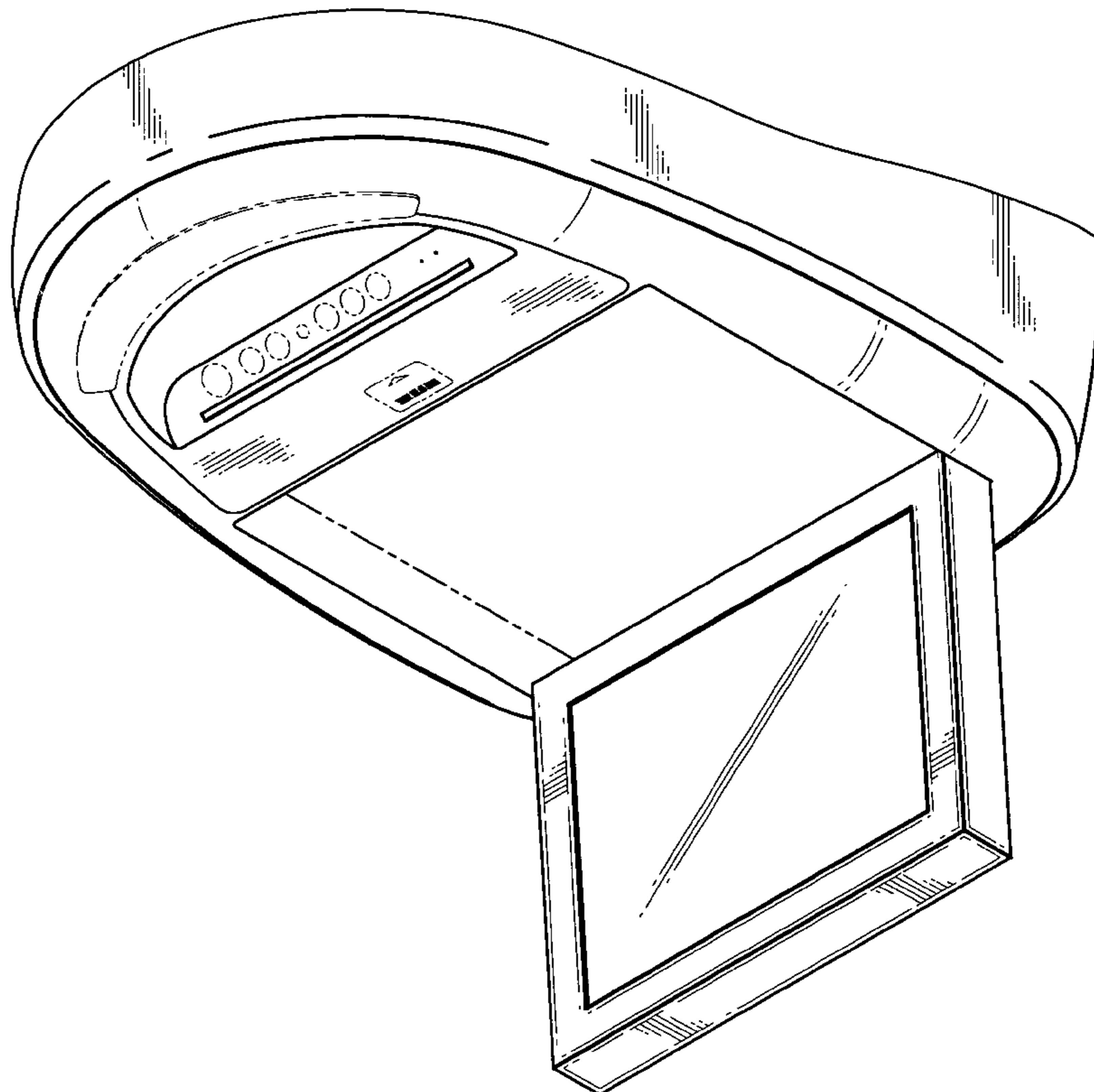
The ornamental design for a stowable display system with video player, substantially as shown and described.

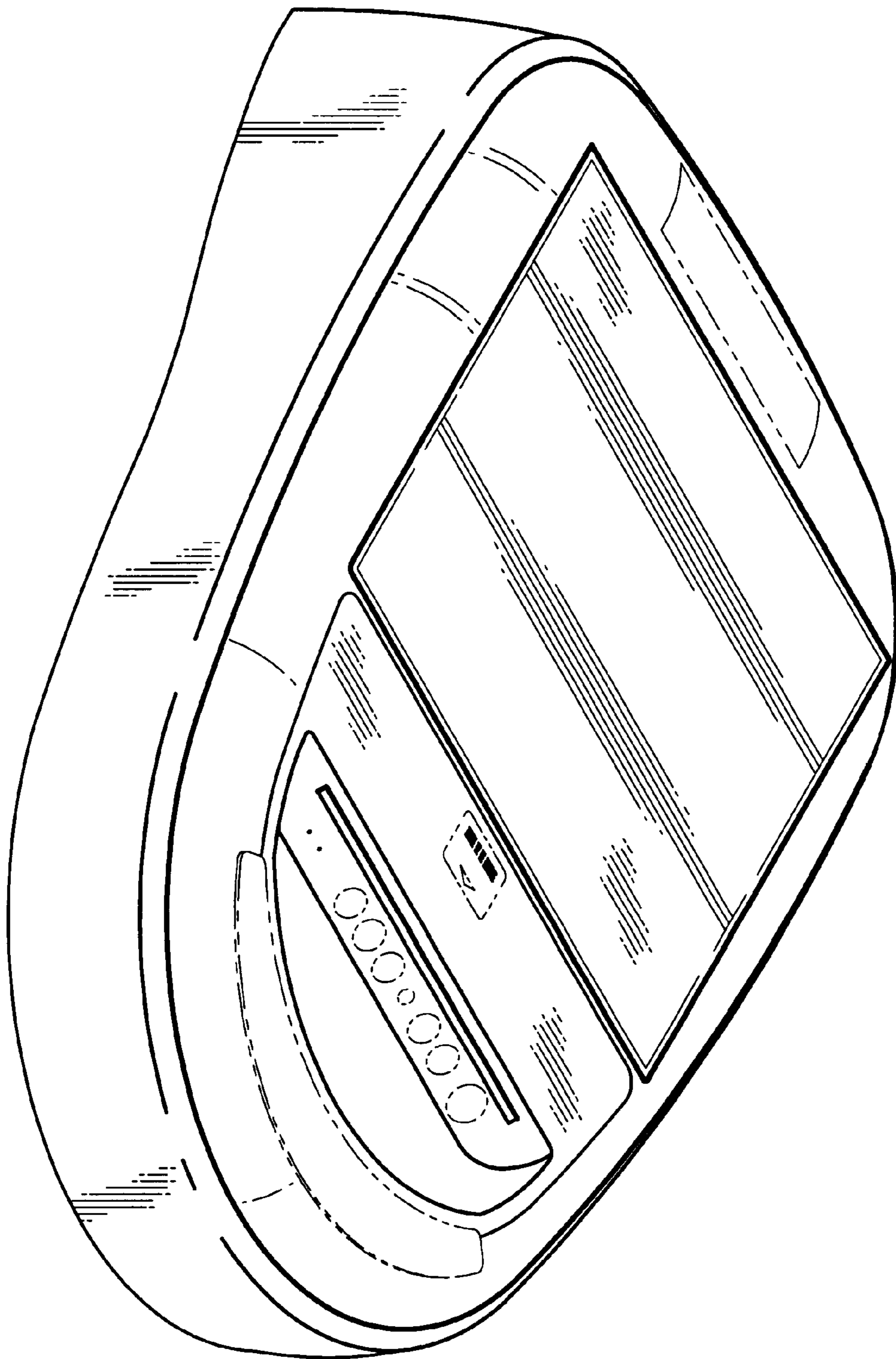
**DESCRIPTION**

FIG. 1 is a perspective view of the stowable display system with video player in accordance with the present invention, with the display being depicted in a stowed orientation; FIG. 2 is a top view thereof with the display in the stowed orientation; FIG. 3 is a right-side view thereof with the display in the stowed orientation; FIG. 4 is a front view thereof with the display in the stowed orientation; FIG. 5 is a rear view thereof with the display in the stowed orientation; and, FIG. 6 is a perspective view thereof with the display in a deployed orientation.

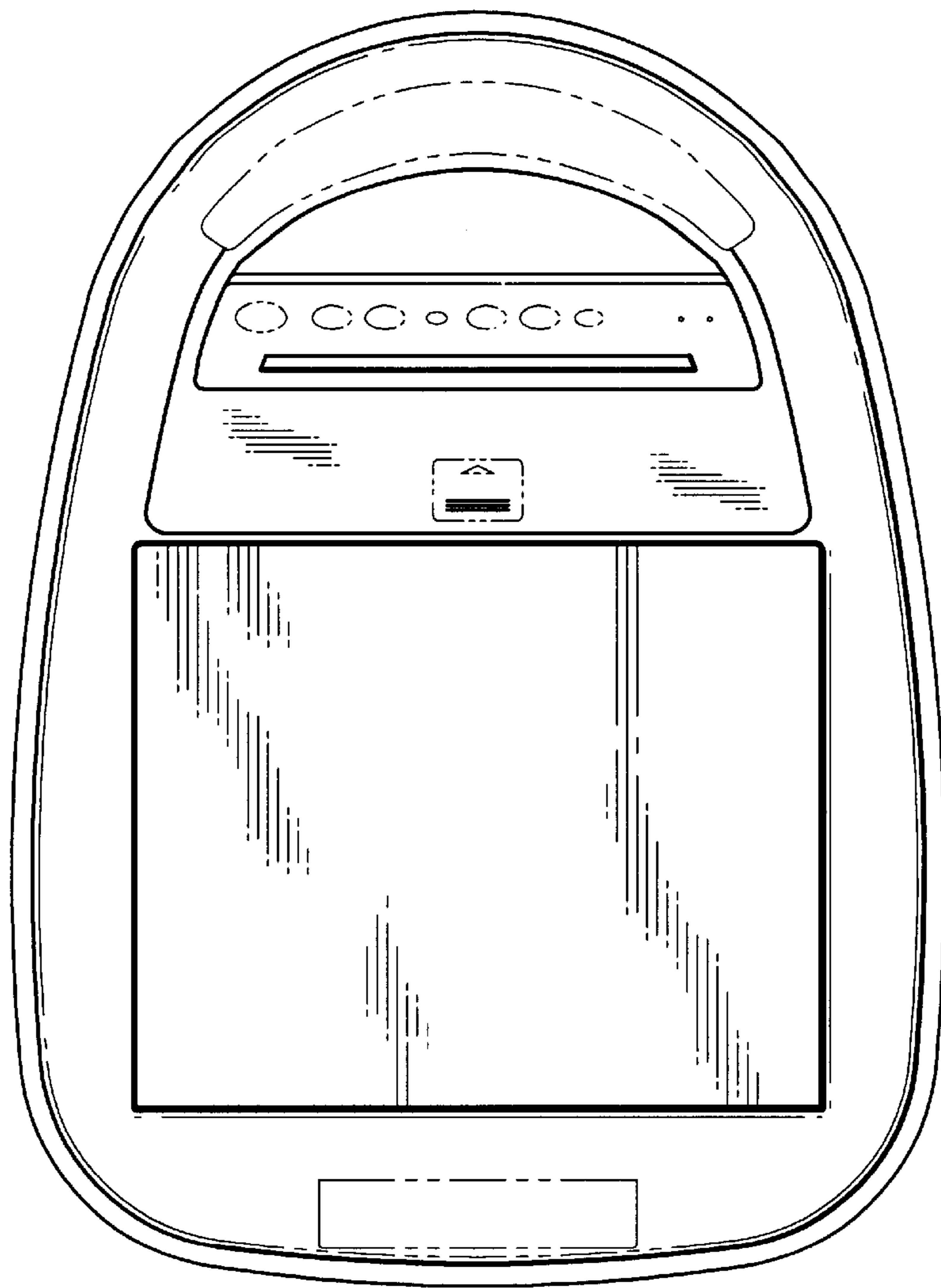
The broken lines shown in FIGS. 1-6 are for illustrative purposes as an environment and form no part of the claimed design.

**1 Claim, 4 Drawing Sheets**

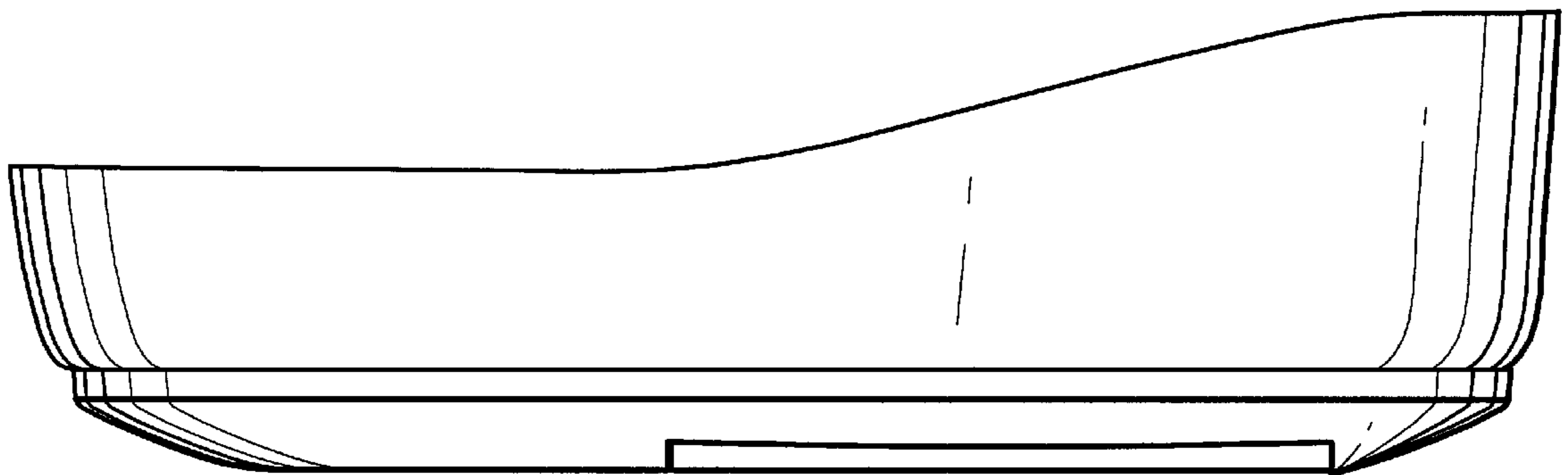




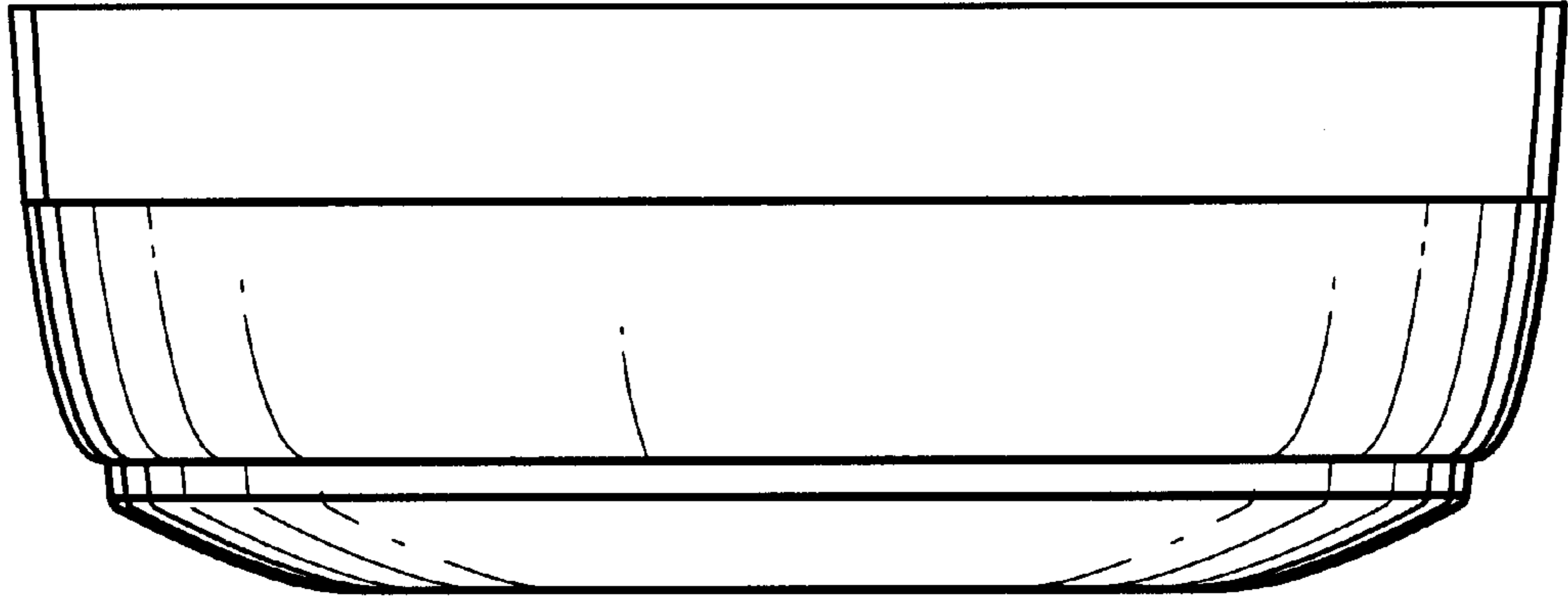
**FIG. 1**



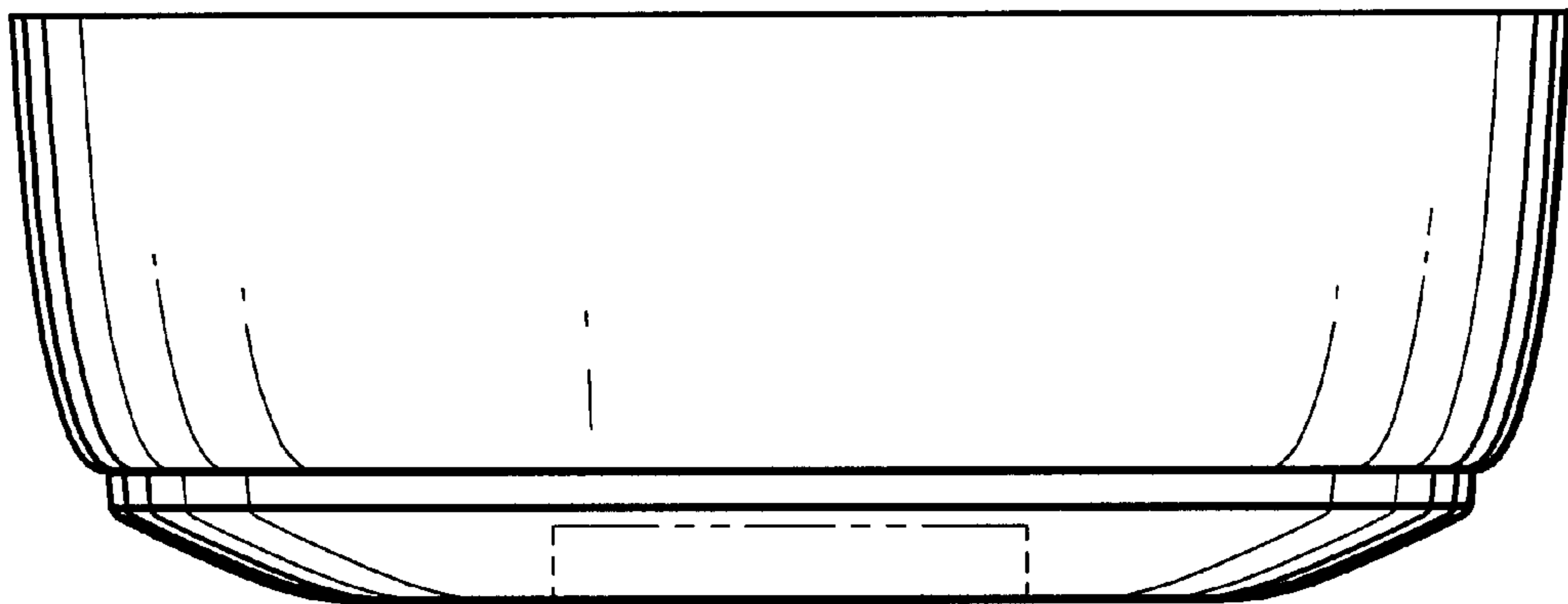
**FIG. 2**



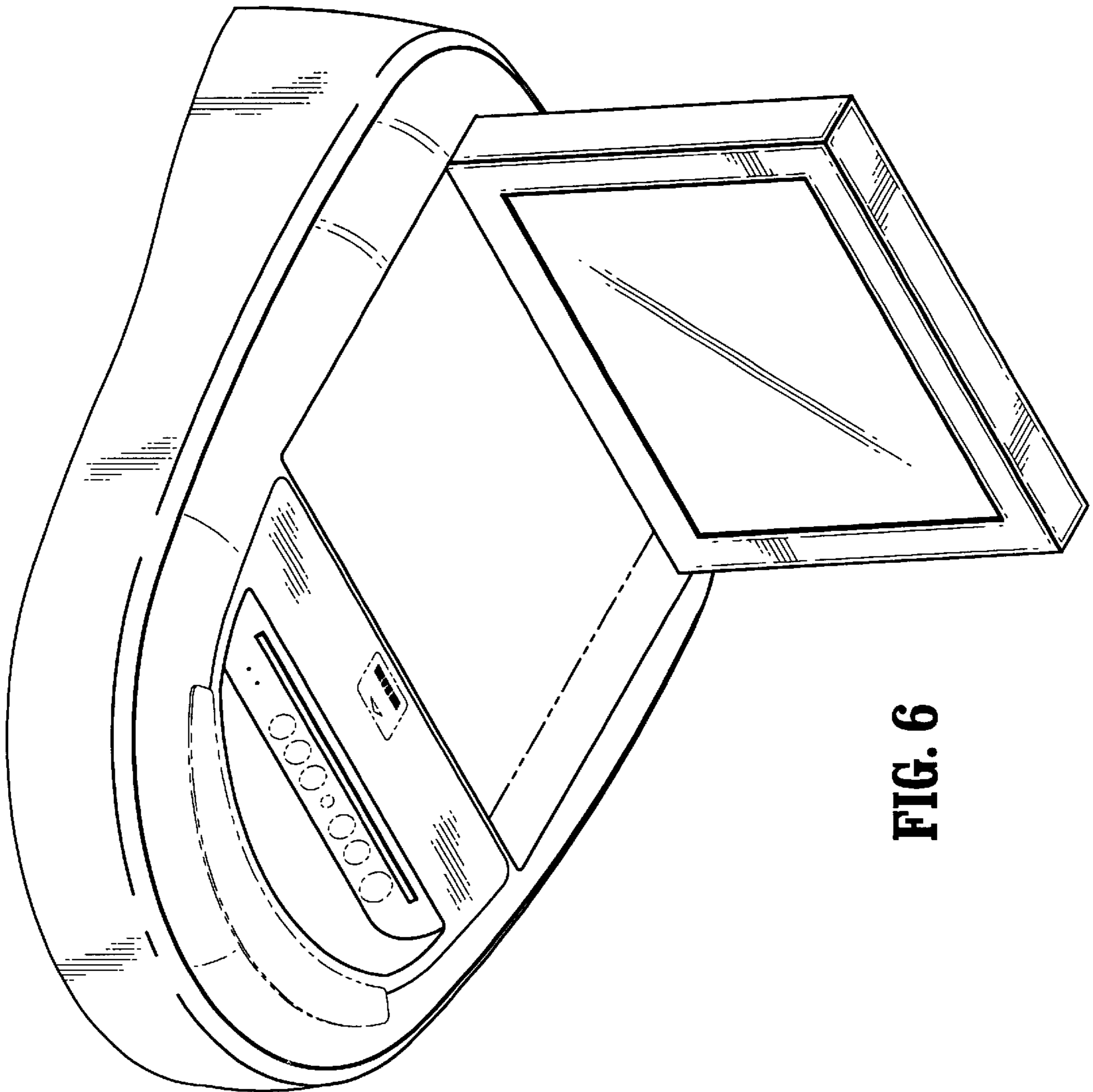
**FIG. 3**



**FIG. 4**



**FIG. 5**



**FIG. 6**