



US00D451889B1

(12) **United States Design Patent**  
**Ohashi et al.**

(10) **Patent No.:** **US D451,889 S**

(45) **Date of Patent:** **\*\* Dec. 11, 2001**

(54) **FUSE**

(75) **Inventors:** **Norihiro Ohashi; Hiroki Kondo;**  
**Takayoshi Endo, all of Shizuoka (JP)**

(73) **Assignee:** **Yazaki Corporation (JP)**

(\*\*) **Term:** **14 Years**

(21) **Appl. No.:** **29/145,149**

(22) **Filed:** **Jul. 17, 2001**

**Related U.S. Application Data**

(62) Division of application No. 29/134,430, filed on Dec. 21, 2000.

(30) **Foreign Application Priority Data**

Jun. 30, 2000 (JP) ..... 12-17787  
Jun. 30, 2000 (JP) ..... 12-17788  
Jun. 30, 2000 (JP) ..... 12-17791

(51) **LOC (7) Cl.** ..... **13-03**

(52) **U.S. Cl.** ..... **D13/161**

(58) **Field of Search** ..... D13/161; 337/186,  
337/227-228, 231, 234, 266, 241; 361/430;  
174/48

(56) **References Cited**

**U.S. PATENT DOCUMENTS**

D. 316,270 \* 4/1991 Mason, III ..... D19/35

D. 318,855 \* 8/1991 Tsuji et al. .... D13/161  
D. 372,223 \* 7/1996 Hanazaki et al. .... D13/161  
D. 375,940 \* 11/1996 Shimizu et al. .... D13/161  
D. 407,692 \* 4/1999 Lin ..... D13/161  
D. 408,367 \* 4/1999 Heidl ..... D13/161  
4,499,447 \* 2/1985 Greenberg ..... 337/241 X  
4,772,219 \* 9/1988 Falchetti ..... 337/266 X

\* cited by examiner

*Primary Examiner*—Brian N. Vinson

(74) *Attorney, Agent, or Firm*—SAIDMAN DesignLaw Group

(57) **CLAIM**

The ornamental design for a fuse, as shown and described.

**DESCRIPTION**

FIG. 1 is a perspective view of a fuse showing our new design;

FIG. 2 is a front view thereof;

FIG. 3 is a rear view thereof;

FIG. 4 is a top view thereof;

FIG. 5 is a bottom view thereof;

FIG. 6 is a left side view thereof; and,

FIG. 7 is a right side view thereof.

**1 Claim, 1 Drawing Sheet**

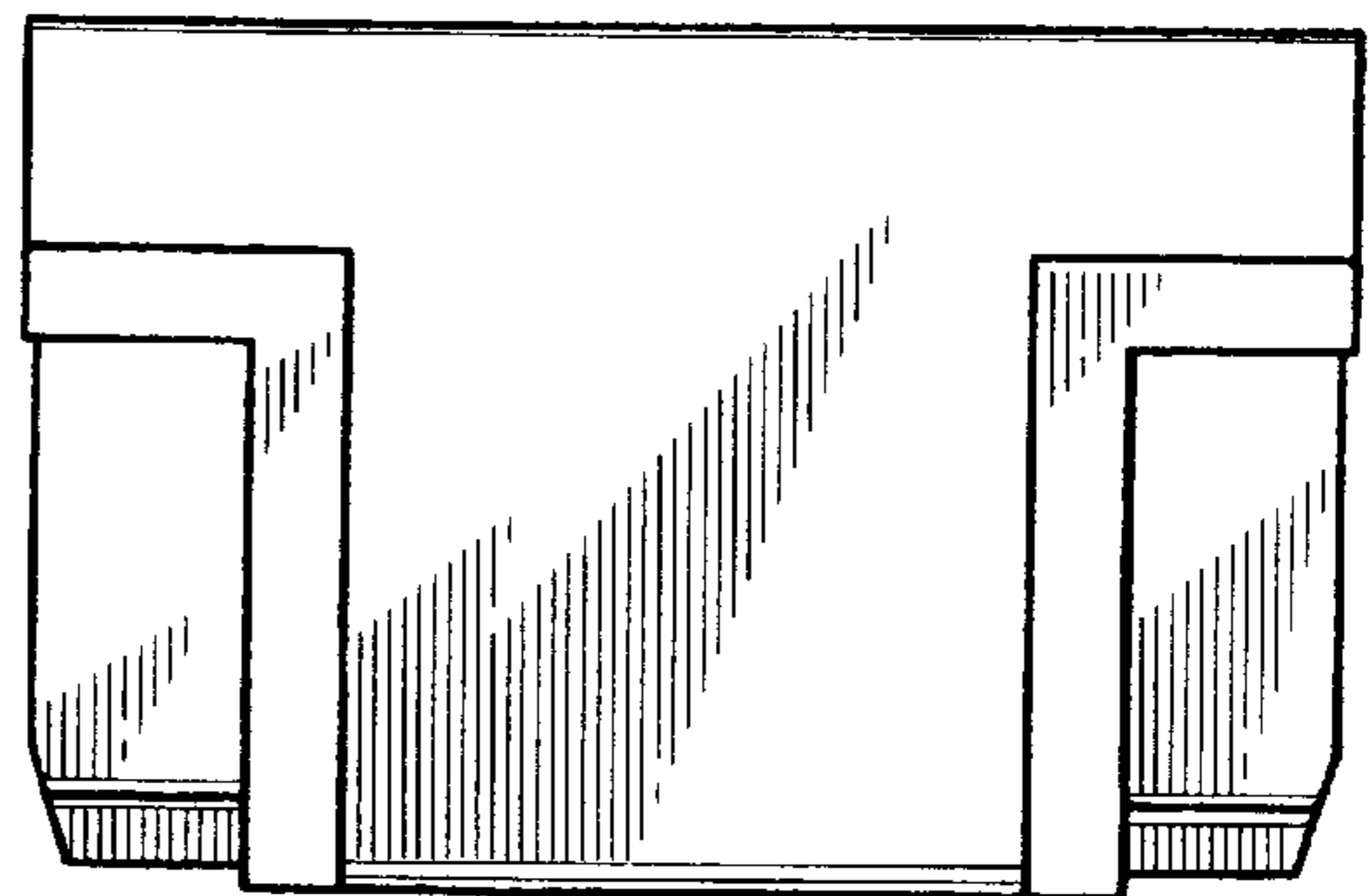
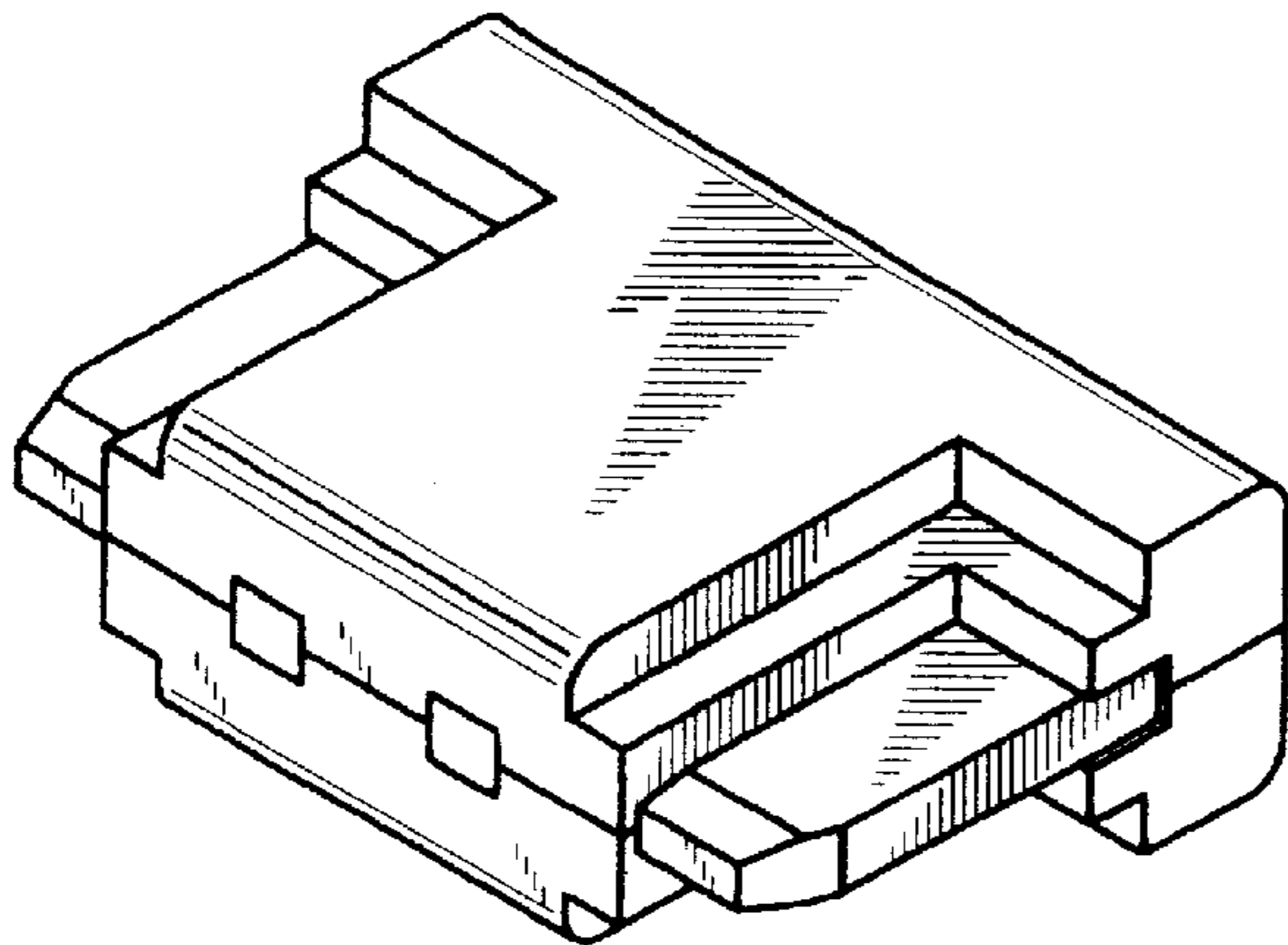


FIG. 1

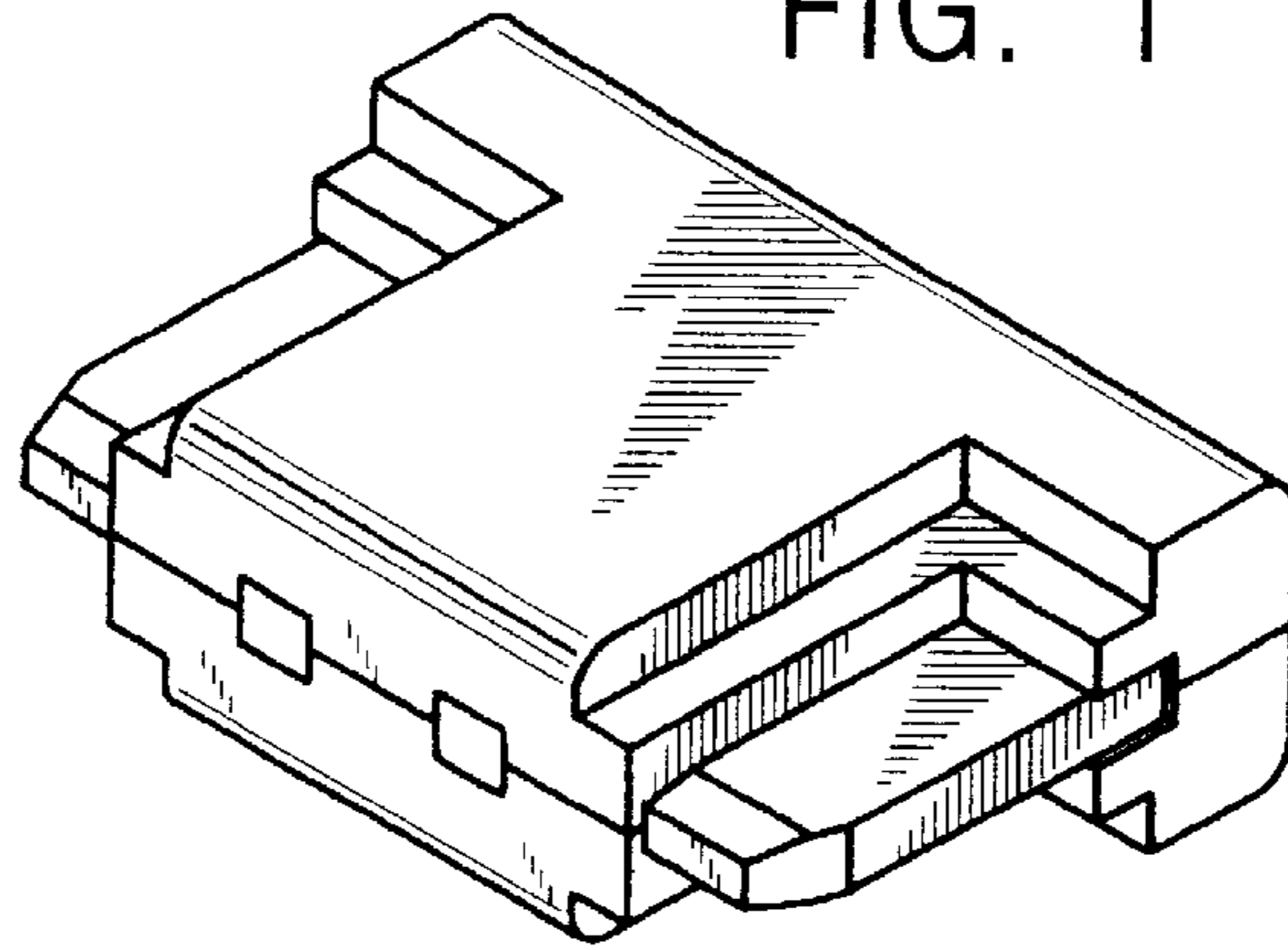


FIG. 2

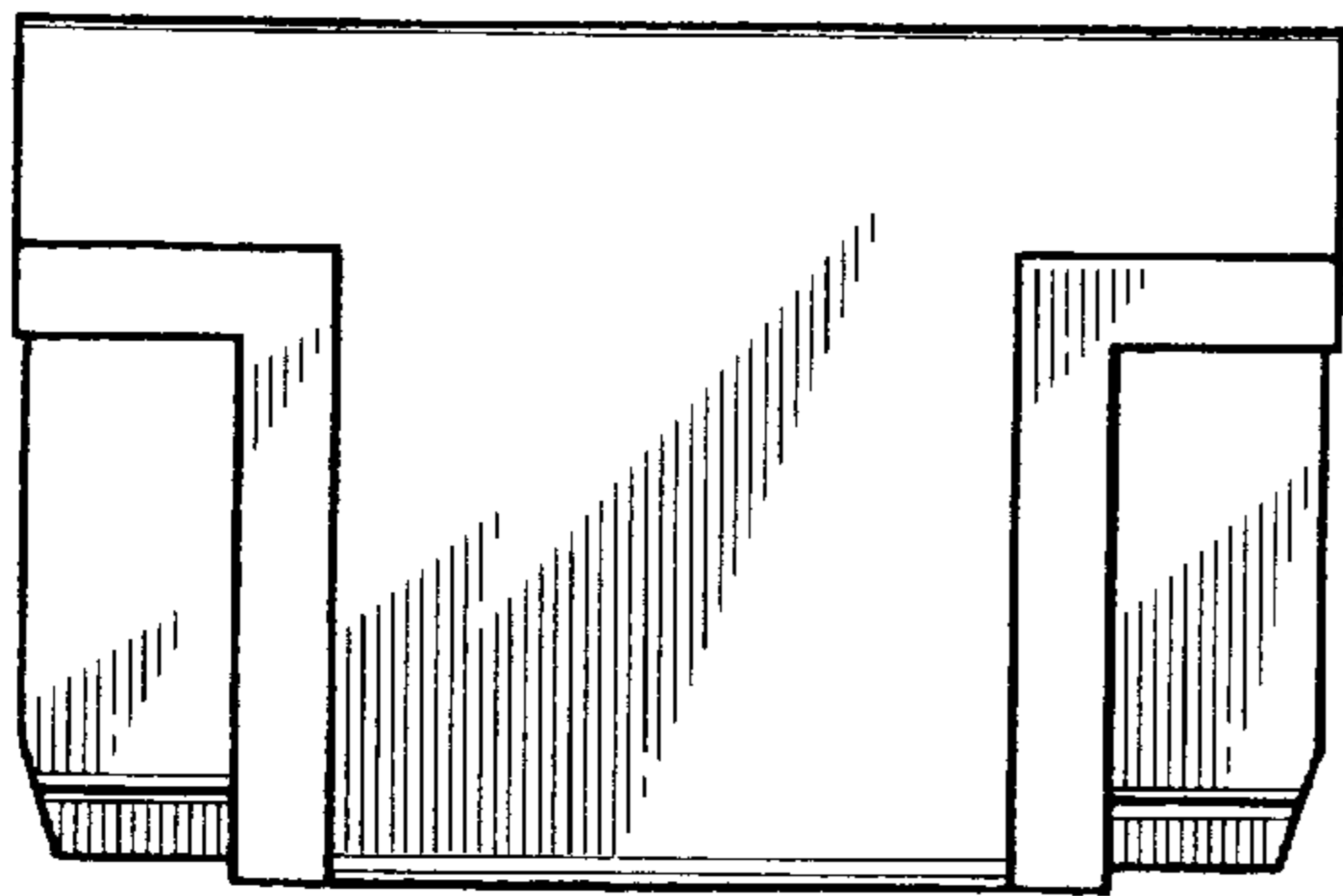


FIG. 3

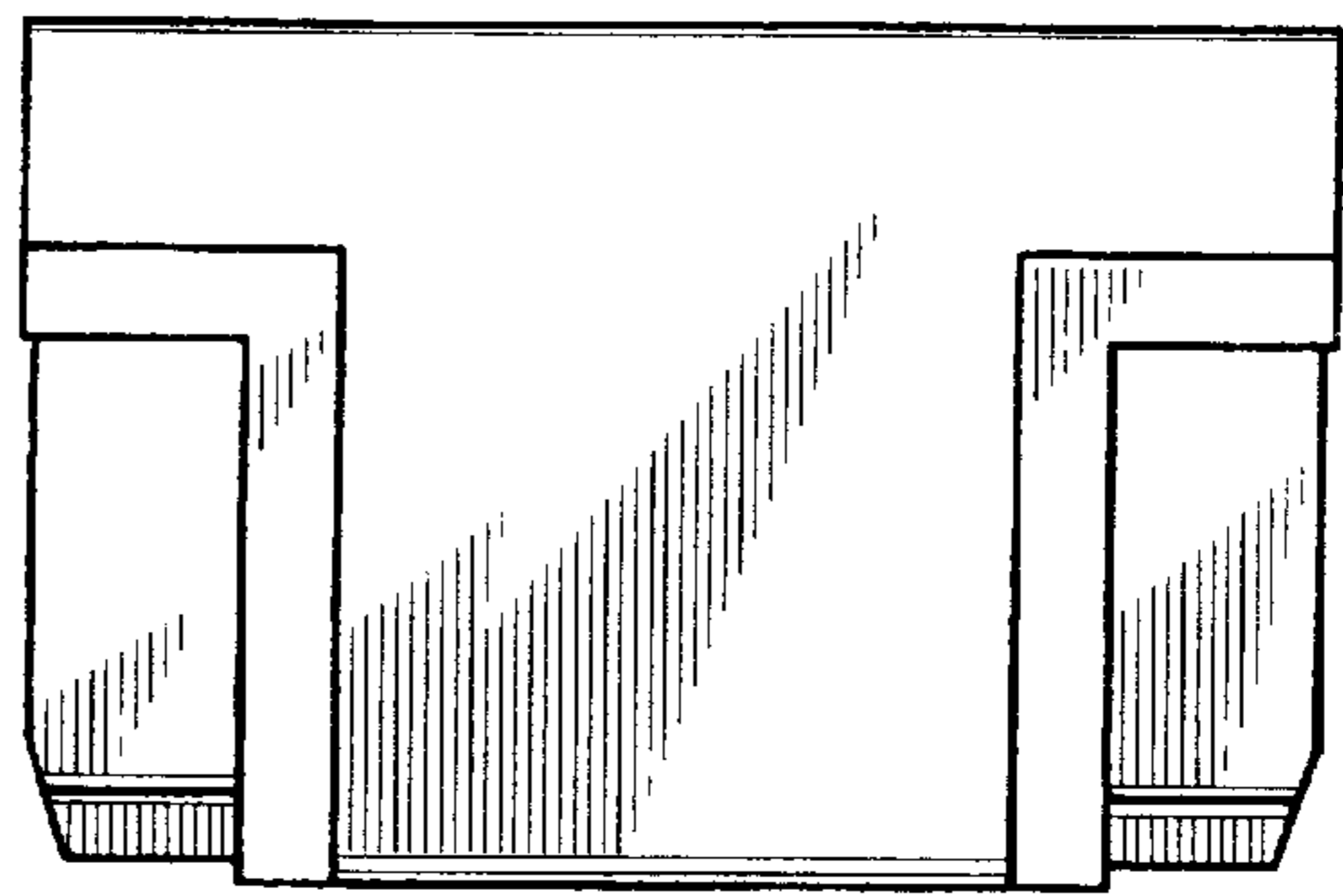


FIG. 4

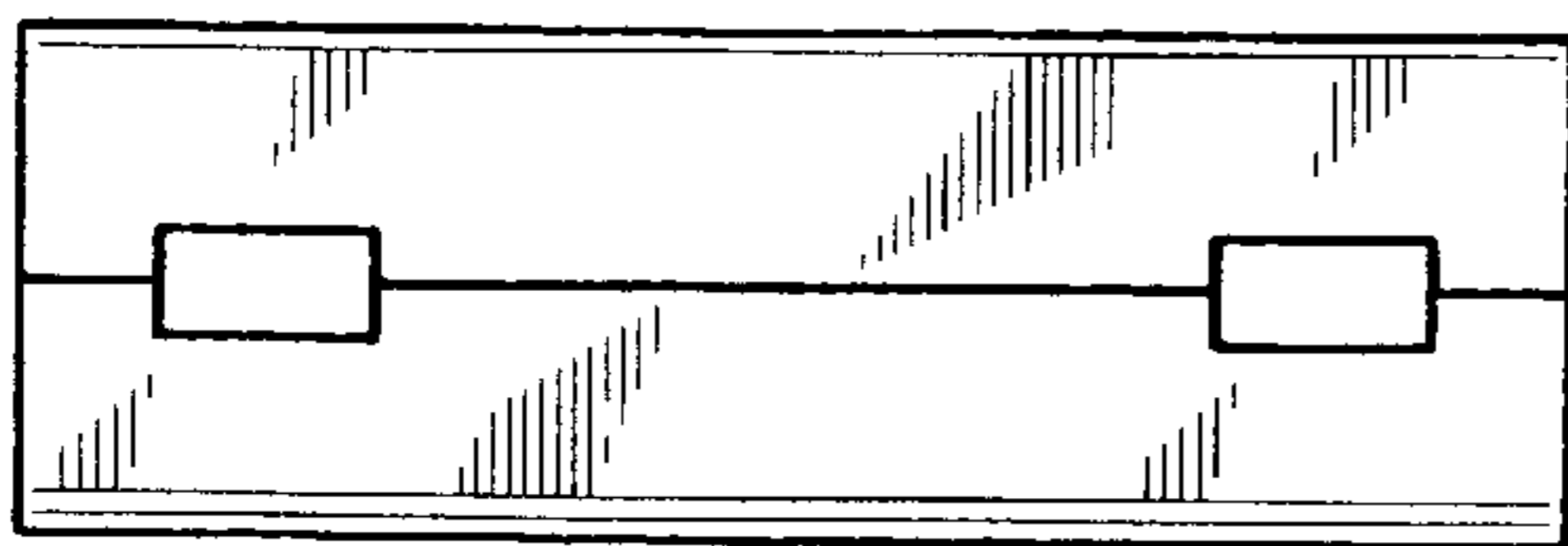


FIG. 5

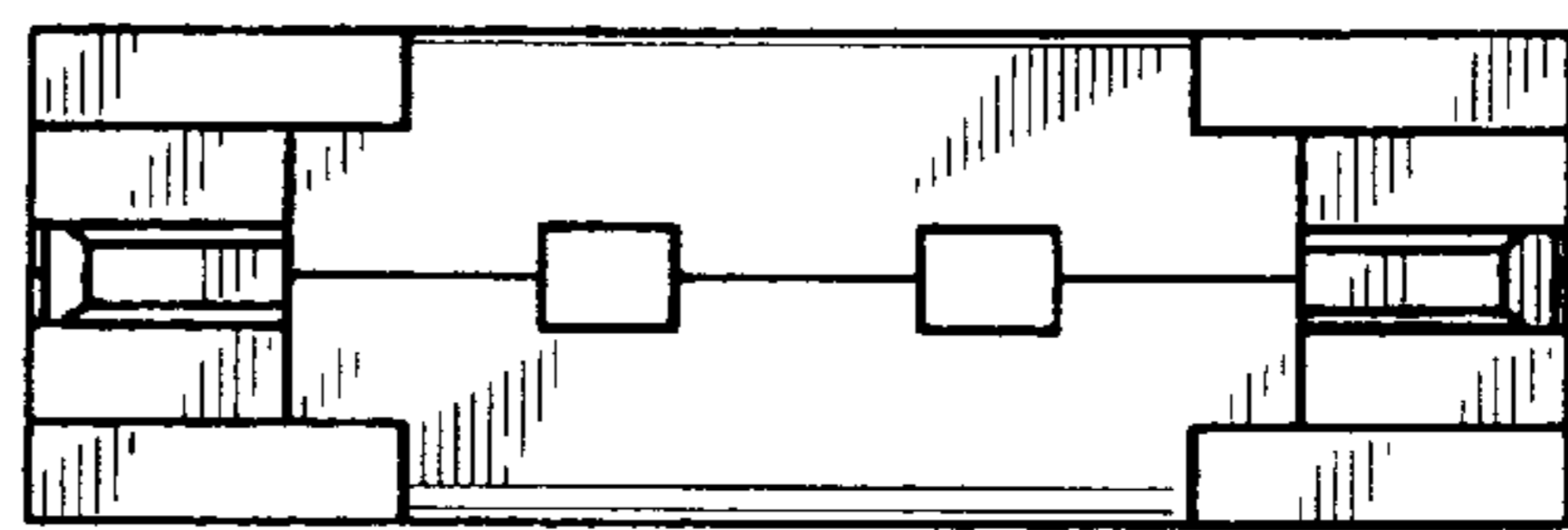


FIG. 6

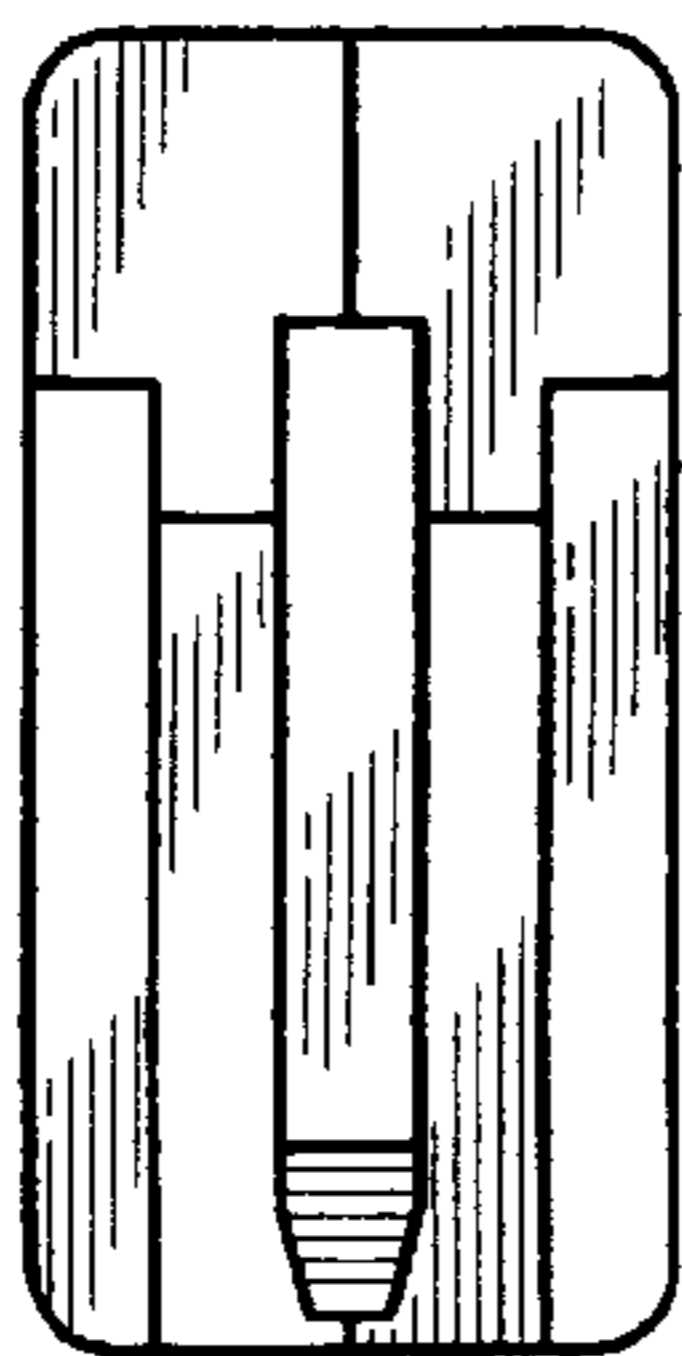


FIG. 7

