



US00D451885B1

(12) **United States Design Patent**
Hisatomi et al.

(10) **Patent No.:** **US D451,885 S**

(45) **Date of Patent:** **** Dec. 11, 2001**

(54) **ELECTRICAL CONNECTOR**

(75) Inventors: **Kazukuni Hisatomi**, Chiba; **Masayuki Kikuchi**, Oume, both of (JP)

(73) Assignee: **Japan Aviation Electronics Industry, Limited**, Tokyo (JP)

(**) Term: **14 Years**

(21) Appl. No.: **29/126,786**

(22) Filed: **Jul. 24, 2000**

(30) **Foreign Application Priority Data**

Jan. 28, 2000 (JP) 12-007319

(51) **LOC (7) Cl.** **13-03**

(52) **U.S. Cl.** **D13/147**

(58) **Field of Search** D13/146, 147;
439/62, 260, 637, 630, 636

(56) **References Cited**

U.S. PATENT DOCUMENTS

- D. 390,828 * 2/1998 Aramaki D13/147
- D. 413,577 * 9/1999 Ono et al. D13/147
- D. 421,596 * 3/2000 Azuma et al. D13/147
- D. 436,577 * 1/2001 Azuma et al. D13/147
- 4,479,686 * 10/1984 Hoshino et al. 439/62 X

- 4,487,464 * 12/1984 Kirschenbaum 439/62
- 4,645,277 * 2/1987 Kikuchi et al. 439/62
- 5,263,867 * 11/1993 Doi et al. 439/62
- 5,413,491 * 5/1995 Noschese 439/108
- 5,641,291 * 6/1997 Sueki et al. 439/83
- 6,007,352 * 12/1999 Azuma et al. 439/108

* cited by examiner

Primary Examiner—Joel Sincavage

(74) *Attorney, Agent, or Firm*—Laff, Whitesel & Saret, Ltd.; J. Warren Whitesel

(57) **CLAIM**

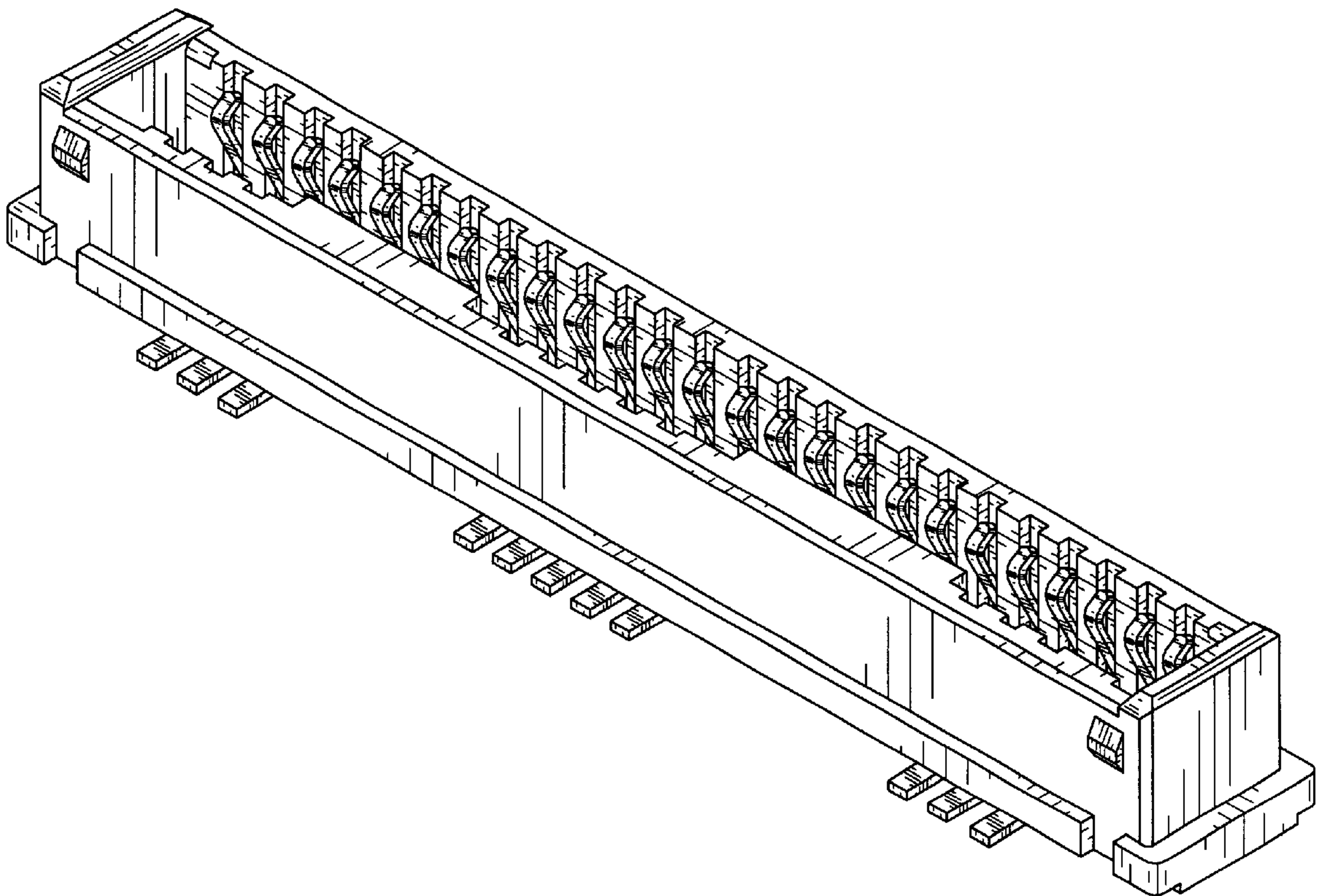
The ornamental design for an electrical connector, as shown and described.

DESCRIPTION

FIG. 1 is a top plan view of an electrical connector; FIG. 2 is a front elevational view thereof; FIG. 3 is a right side elevational view thereof; FIG. 4 is a rear elevational view thereof; FIG. 5 is a bottom plan view thereof; and, FIG. 6 is a perspective view of the front and right side thereof.

A left side elevational view of the electrical connector is omitted because it is presented symmetrical to the right side elevational view of FIG. 3.

1 Claim, 2 Drawing Sheets



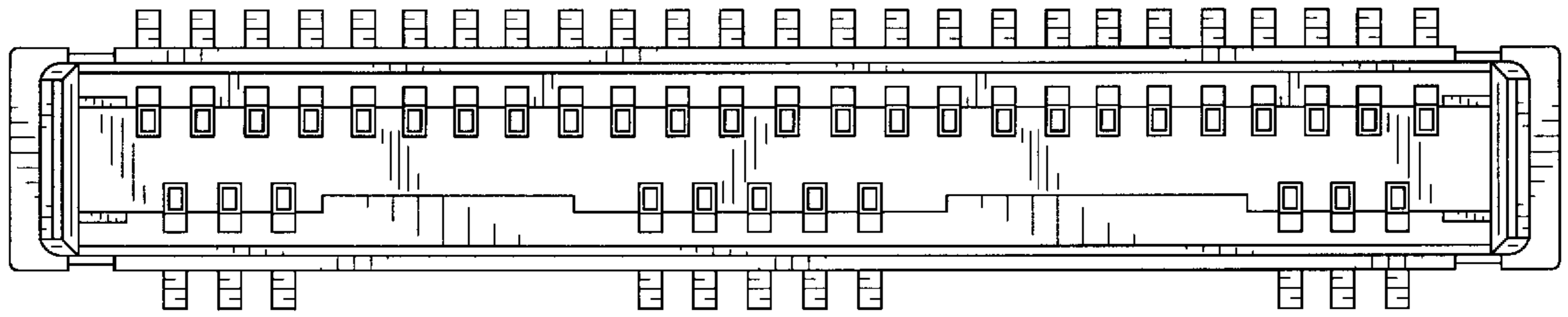


FIG. 1

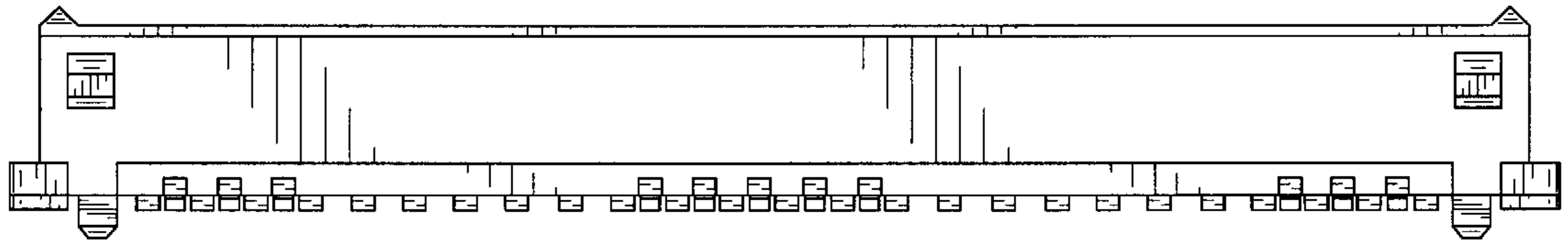


FIG. 2

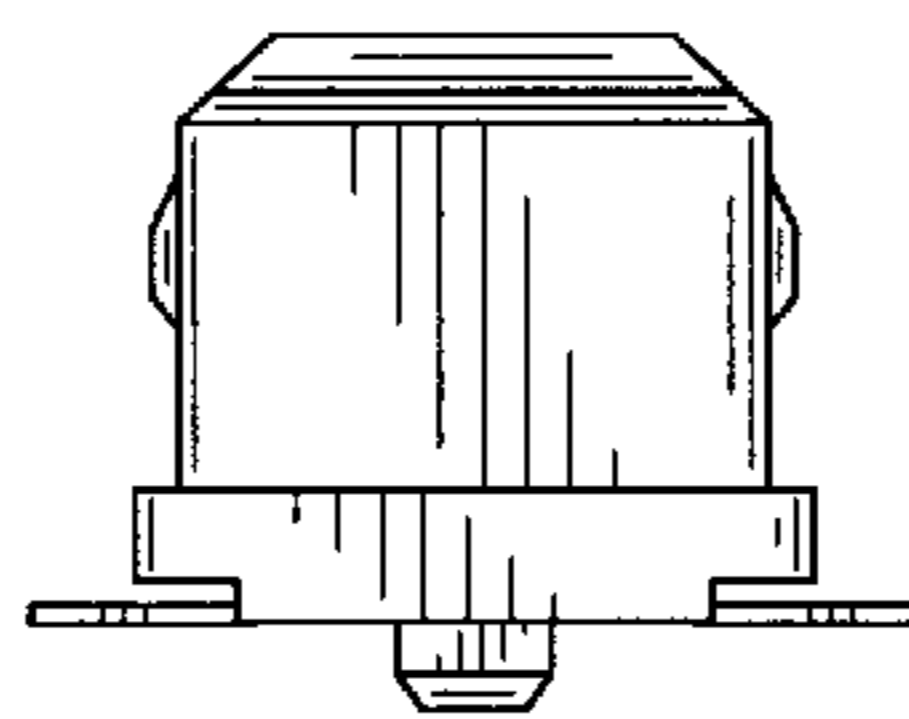


FIG. 3

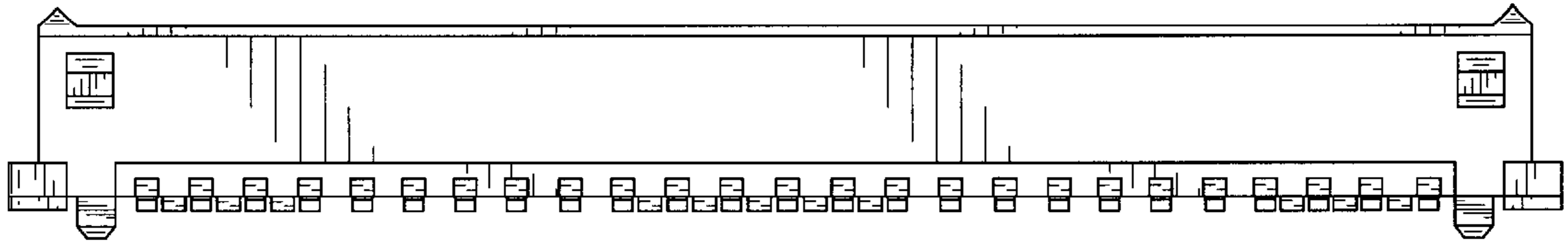


FIG. 4

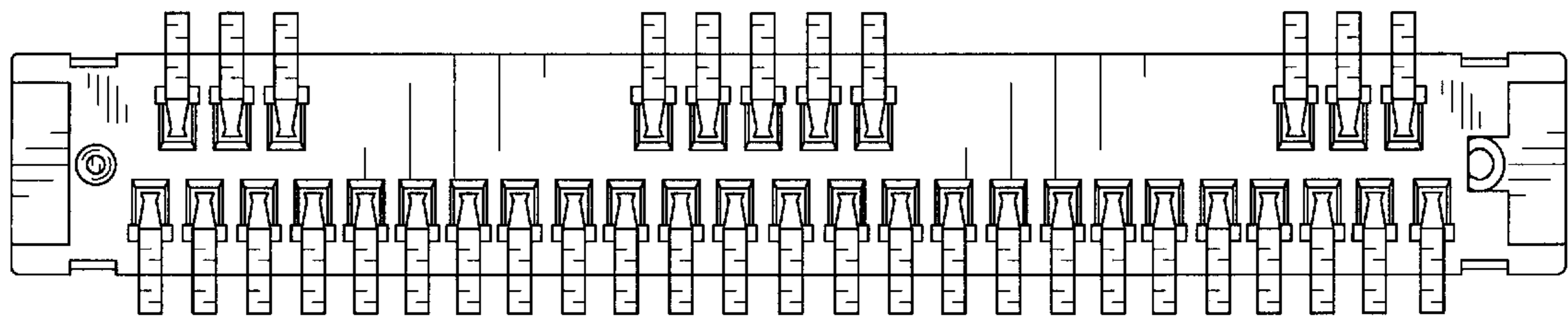


FIG. 5

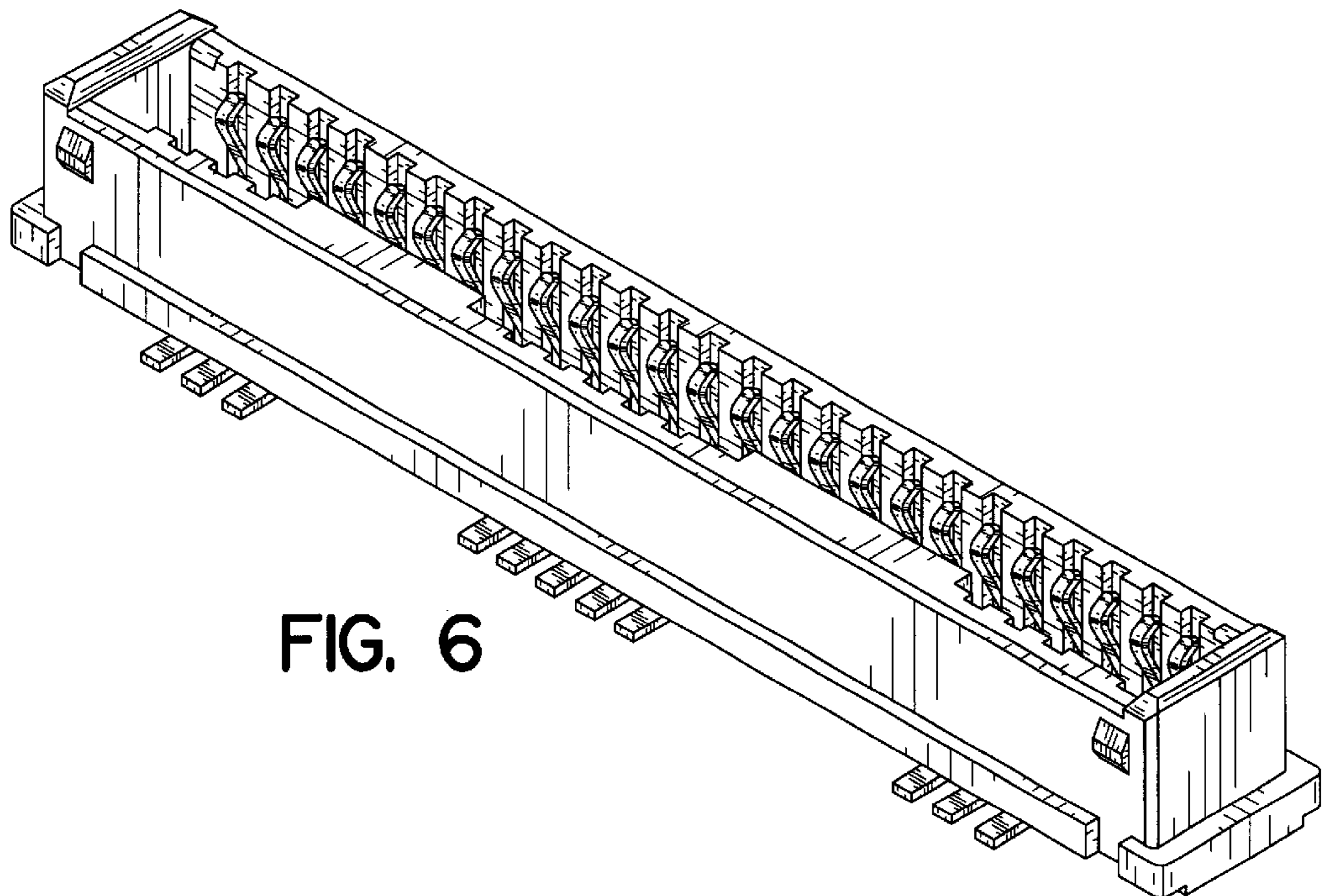


FIG. 6