



US00D451880B1

(12) **United States Design Patent**
Adams et al.

(10) **Patent No.:** **US D451,880 S**

(45) **Date of Patent:** **** Dec. 11, 2001**

(54) **HITCH MOUNTABLE AUXILIARY CARGO CARRIER SUPPORT**

(75) Inventors: **Katherine A. Adams**, Mishawaka;
Jason R. Moldthan, Osceola; **Richard W. McCoy**, Granger, all of IN (US)

(73) Assignee: **Reese Products, Inc.**, Elkhart, IN (US)

(**) Term: **14 Years**

(21) Appl. No.: **29/131,889**

(22) Filed: **Oct. 30, 2000**

(51) **LOC (7) Cl.** **12-16**

(52) **U.S. Cl.** **D12/406**

(58) **Field of Search** D12/400, 406,
D12/162, 407-414.1; 224/309-310, 314,
317, 320-323, 327-331, 400, 924, 488-489,
506, 519, 532

(56) **References Cited**

U.S. PATENT DOCUMENTS

- D. 187,057 * 1/1960 Griparis D12/406
- D. 317,742 * 6/1991 Miller D12/406
- D. 327,043 * 6/1992 Ott et al. D12/406
- D. 329,414 * 9/1992 Herzig D12/406
- D. 352,925 * 11/1994 Eckhart D12/406

- D. 374,209 * 10/1996 Lundgren D12/412
- D. 378,289 * 3/1997 Lundgren D12/412
- D. 391,220 * 2/1998 Welter D12/406
- D. 405,046 * 2/1999 Collins D12/412
- D. 427,765 * 7/2000 Porter D12/406 X
- D. 435,009 * 12/2000 McCoy et al. D12/406
- 3,437,248 * 4/1969 Allen D12/406 X

* cited by examiner

Primary Examiner—Stacia Cadmus

(74) *Attorney, Agent, or Firm*—Leon E. Redman; Lloyd D. Doigan

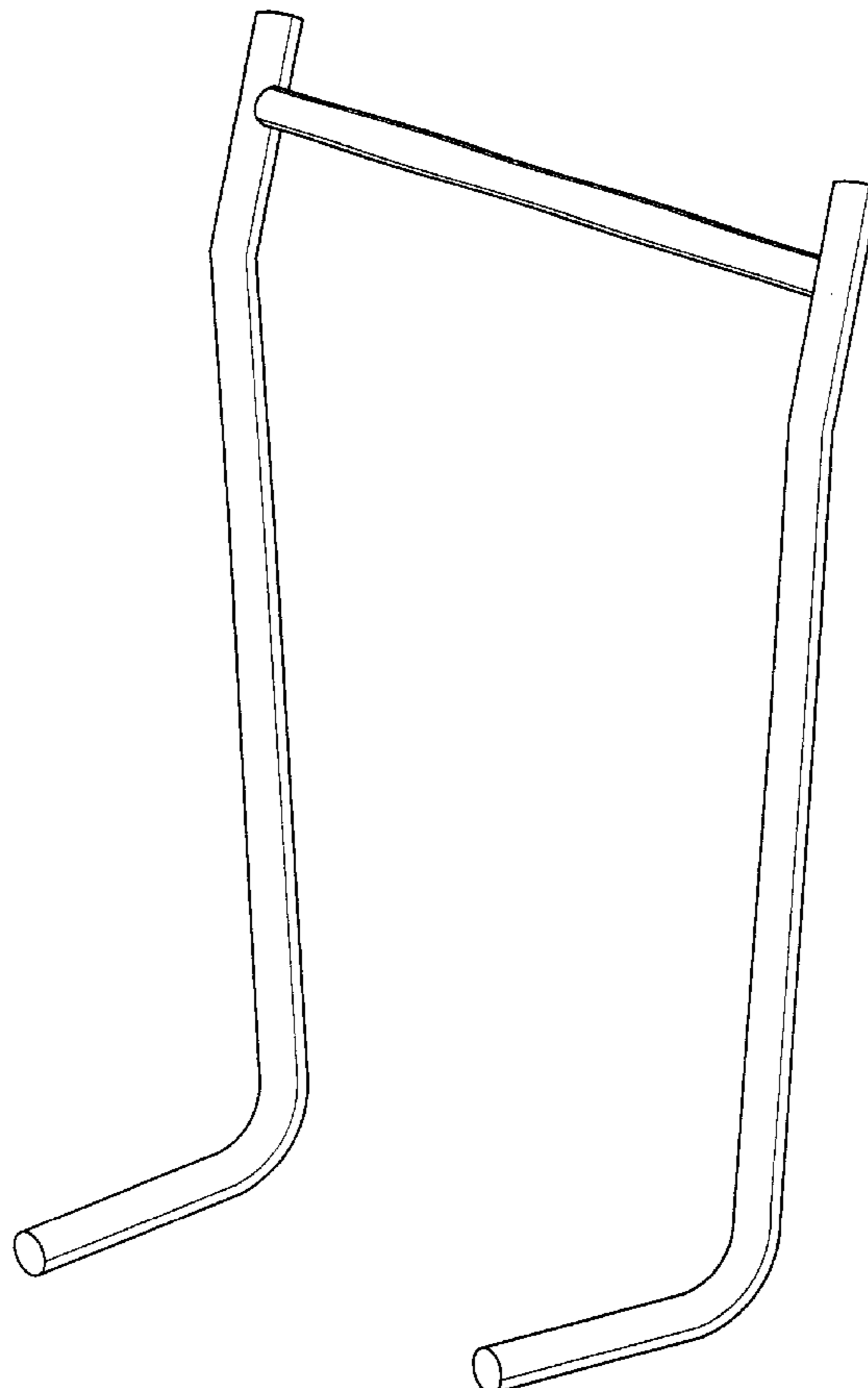
(57) **CLAIM**

The ornamental design for a hitch mountable auxiliary cargo carrier support, as shown and described.

DESCRIPTION

FIG. 1 is a perspective view of the hitch mountable auxiliary cargo carrier support showing our new design;
 FIG. 2 is a top plan view thereof;
 FIG. 3 is a left side elevational view thereof, the right side being a mirror image of the left shown;
 FIG. 4 is a bottom plan view thereof;
 FIG. 5 is a rear elevational view thereof; and,
 FIG. 6 is a front elevational view thereof.

1 Claim, 3 Drawing Sheets



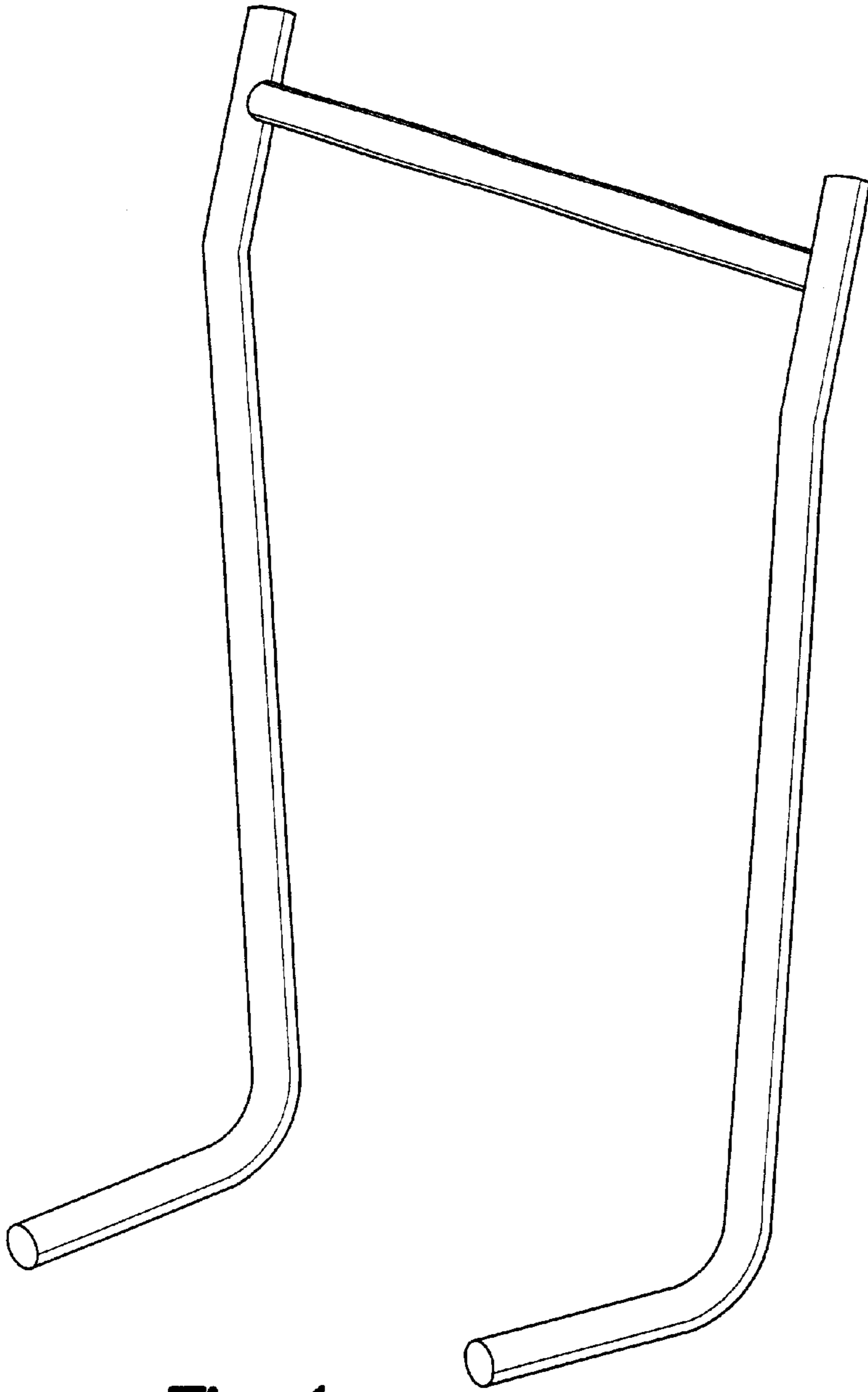


Fig-1

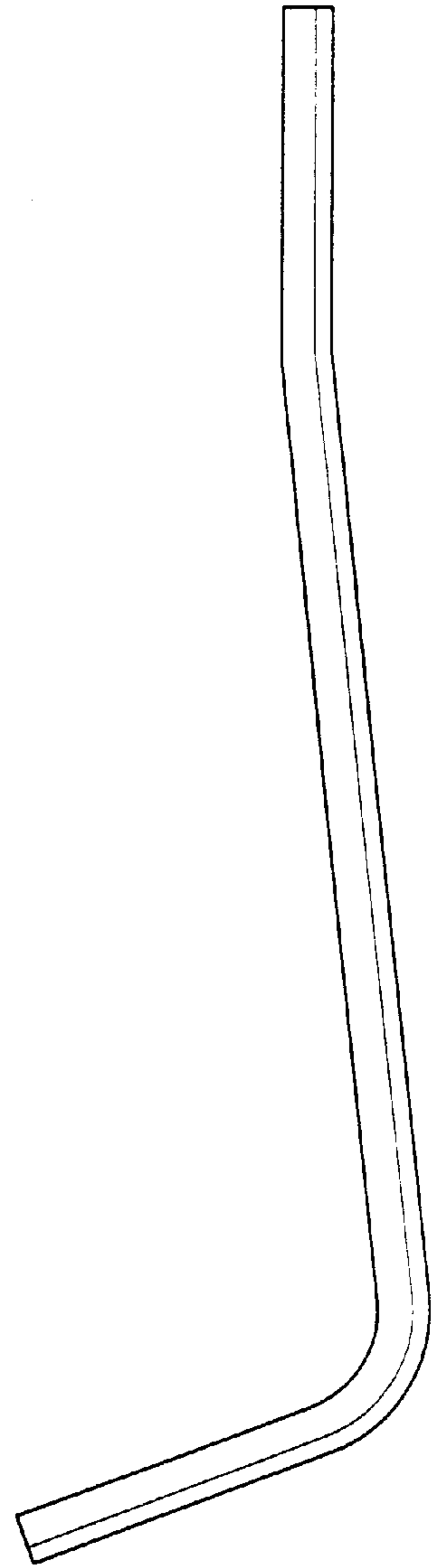


Fig-3

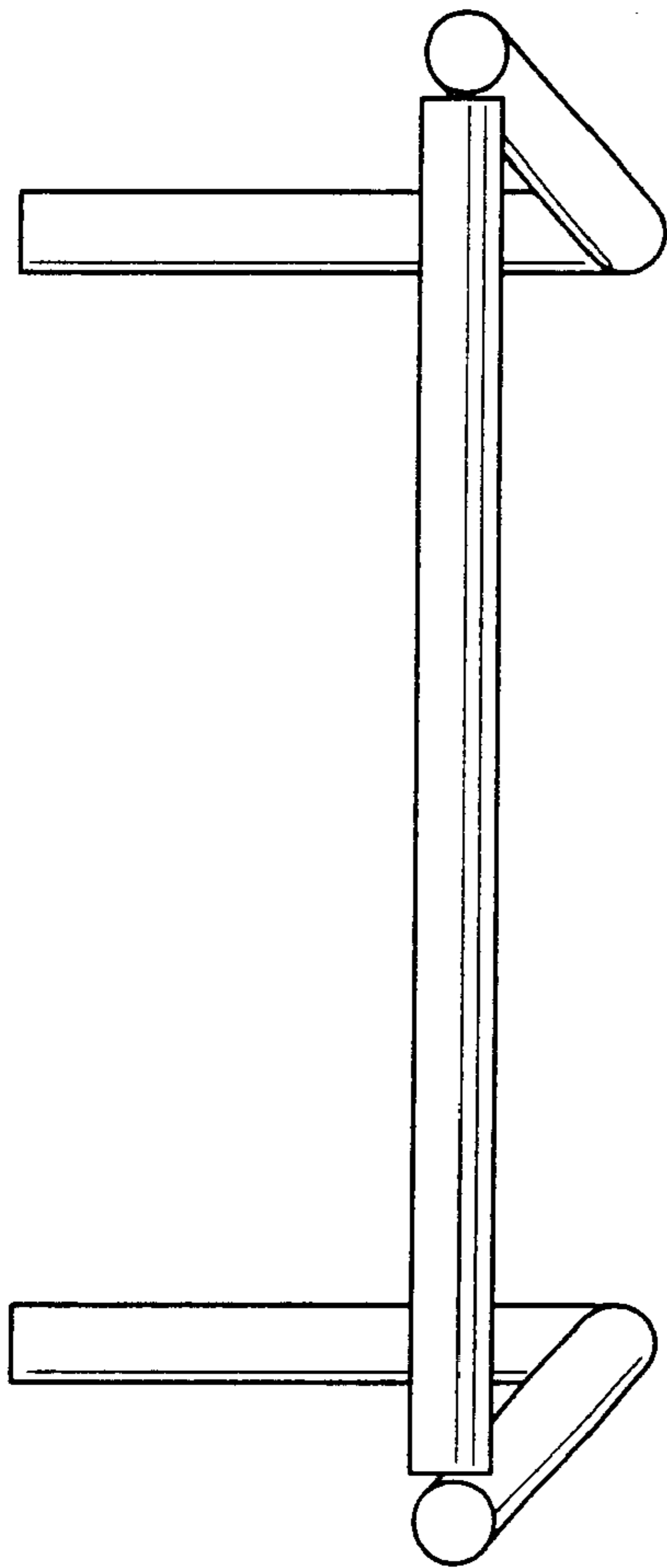


Fig-2

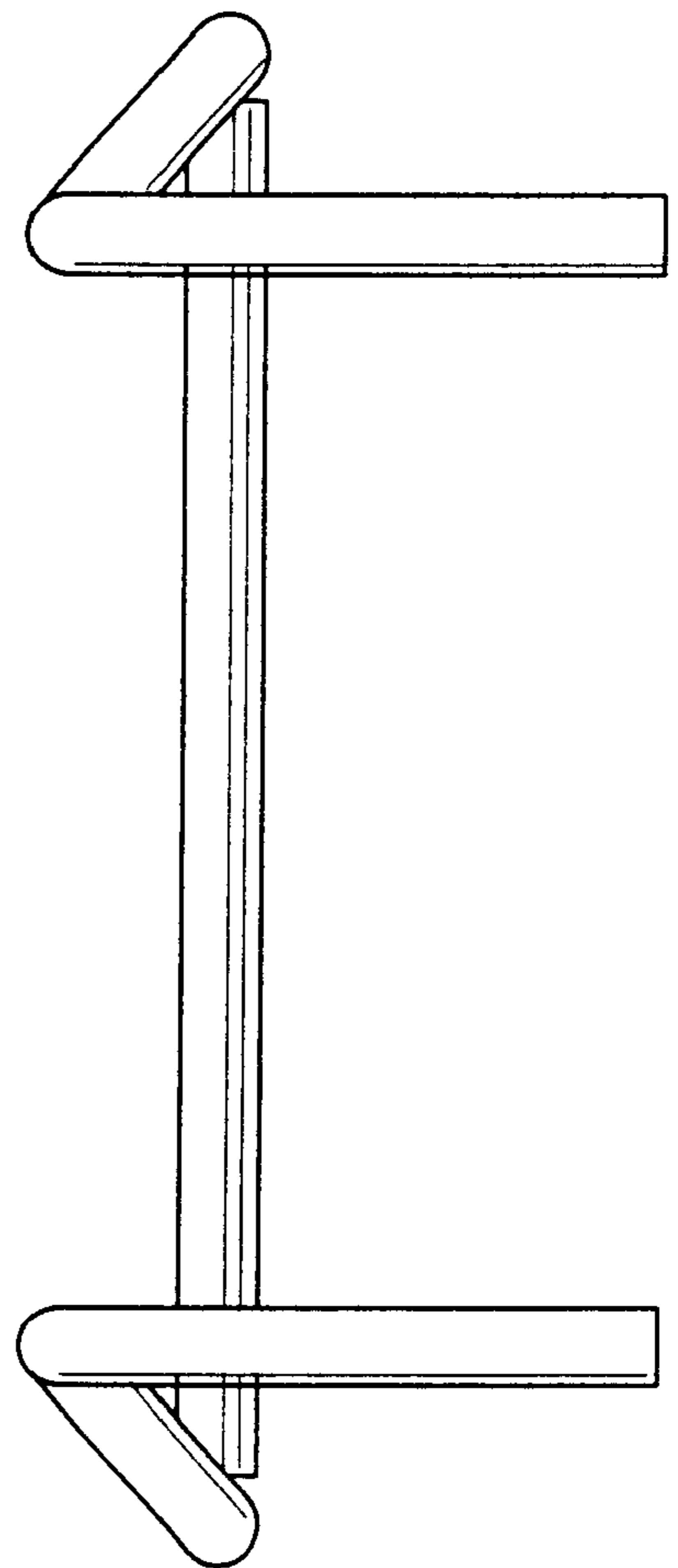


Fig-4

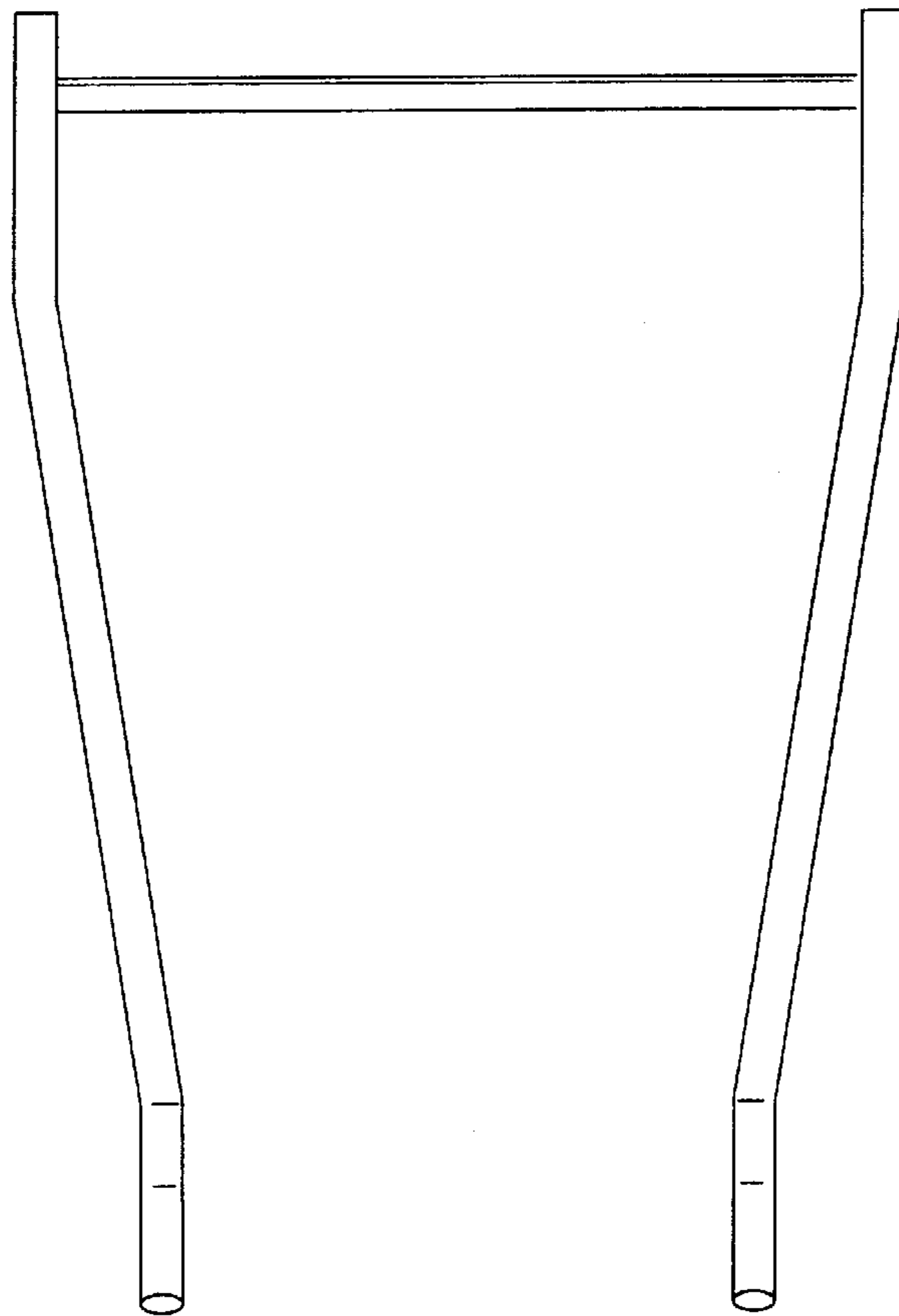


Fig-5

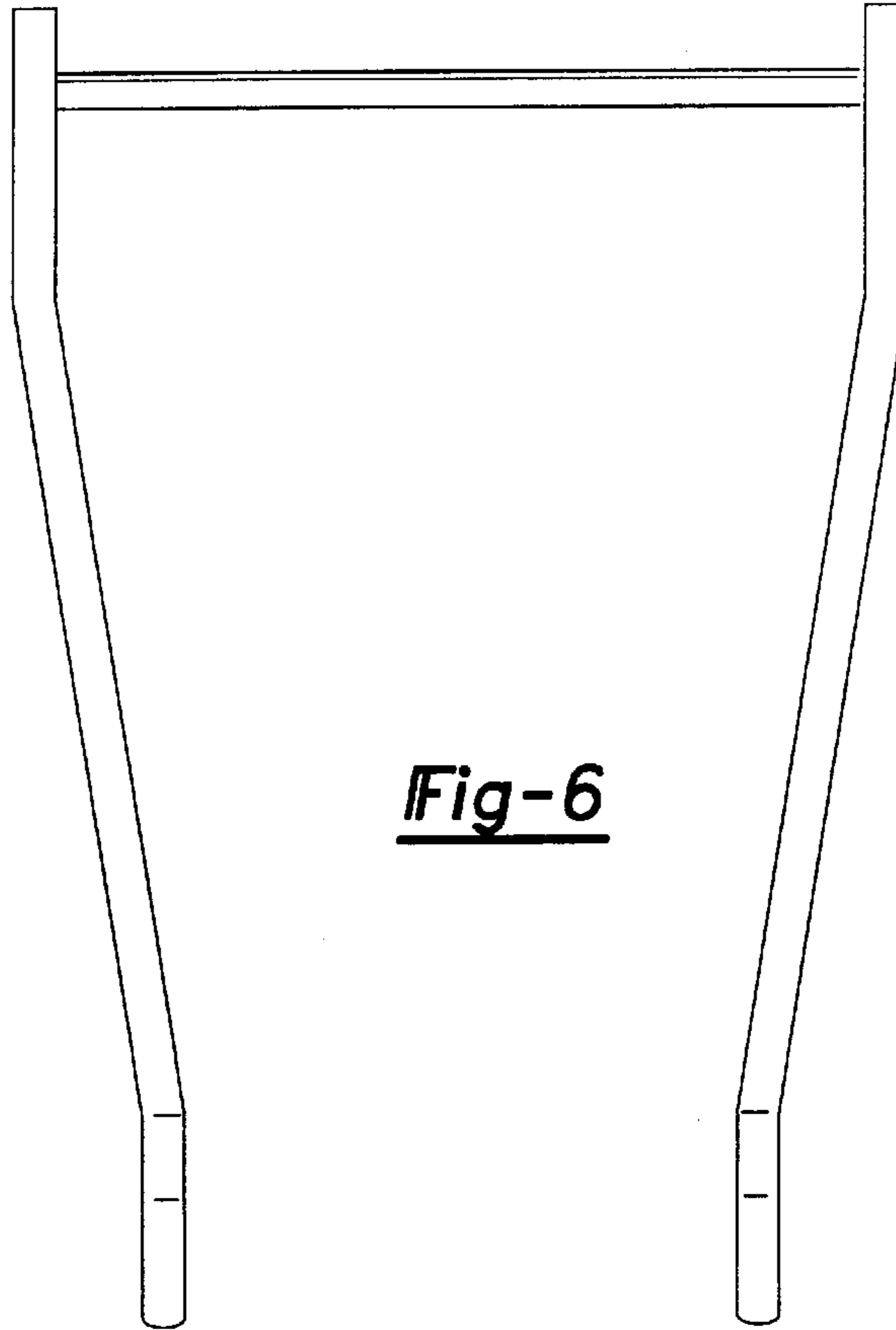


Fig-6