



US00D451877B1

(12) **United States Design Patent**
Lee

(10) **Patent No.:** **US D451,877 S**

(45) **Date of Patent:** **** Dec. 11, 2001**

(54) **AUTOMOTIVE WHEEL**

(75) **Inventor:** **Seon Kyu Lee, Fullerton, CA (US)**

(73) **Assignee:** **Sancro International INC, Santa Fe Springs, CA (US)**

(**) **Term:** **14 Years**

(21) **Appl. No.:** **29/138,140**

(22) **Filed:** **Mar. 8, 2001**

(51) **LOC (7) Cl.** **12-16**

(52) **U.S. Cl.** **D12/211**

(58) **Field of Search** **D12/204-211;**
301/37.1, 64.1, 65

D. 416,849	*	11/1999	Weidhase	D12/211
D. 422,258	*	4/2000	Hale, Jr.	D12/211
D. 428,379	*	7/2000	Donikoglu	D12/211
D. 428,846	*	8/2000	Yoshida et al.	D12/211
D. 432,484	*	10/2000	Chung	D12/211
D. 432,974	*	10/2000	Jablonski	D12/211
D. 435,502	*	12/2000	Donikoglu	D12/211
D. 438,503	*	3/2001	Syring	D12/211

* cited by examiner

Primary Examiner—Stacia Cadmus

(74) *Attorney, Agent, or Firm*—G. Donald Weber, Jr.

(57) **CLAIM**

The ornamental design for an automotive wheel, as shown and described.

DESCRIPTION

FIG. 1 is an oblique view of the automotive wheel of the instant invention; and,

FIG. 2 is a front view of the automotive wheel of the instant invention.

The broken line showing of environment is for illustrative purposes only and forms no part of the claimed design.

1 Claim, 1 Drawing Sheet

(56) **References Cited**

U.S. PATENT DOCUMENTS

D. 361,547	*	8/1995	Weld	D12/211
D. 368,464	*	4/1996	Morley et al.	D12/209
D. 402,951	*	12/1998	Wechner	D12/211
D. 407,364	*	3/1999	Fisker	D12/209
D. 409,132	*	5/1999	Cullen	D12/211
D. 410,426	*	6/1999	Frizzi	D12/211

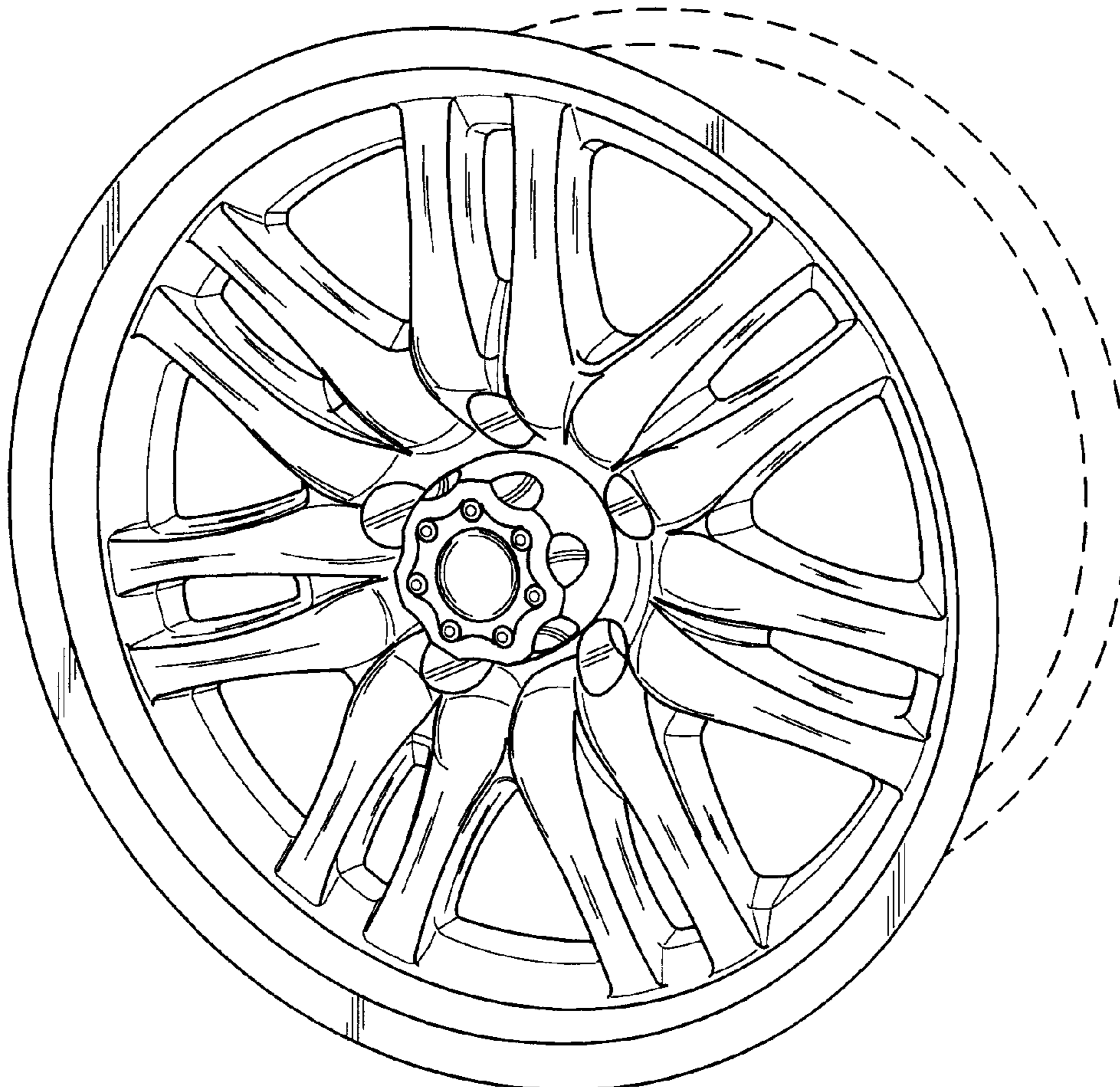


Fig-1

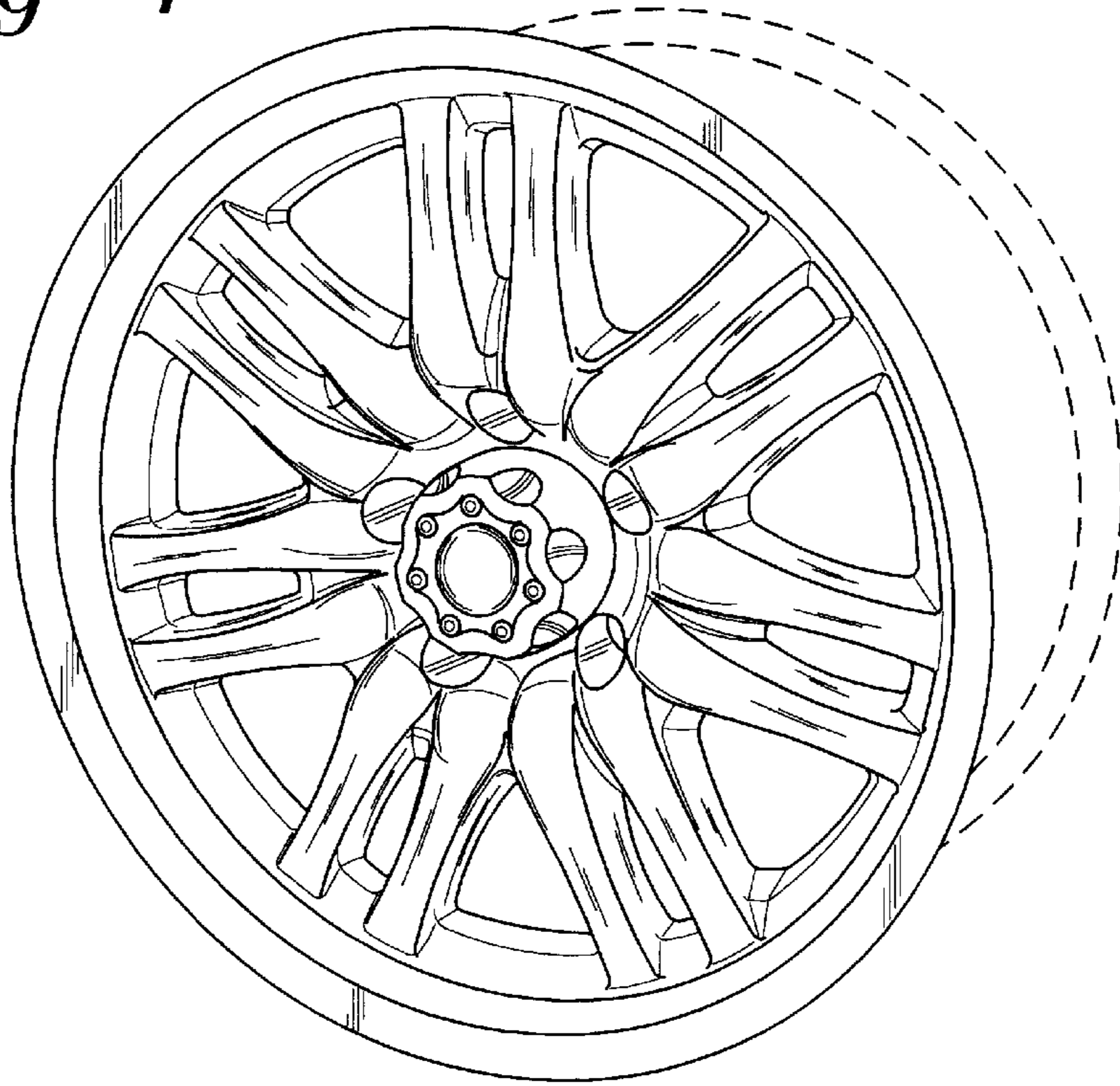


Fig-2

