



US00D451874B1

(12) **United States Design Patent**  
**Donikoglu**

(10) **Patent No.:** **US D451,874 S**

(45) **Date of Patent:** **\*\* Dec. 11, 2001**

(54) **WHEEL**

(75) **Inventor:** **Melkon A. Donikoglu**, Southfield, MI (US)

(73) **Assignee:** **Ultra Wheel Co.**, Buena Park, CA (US)

(\*\*) **Term:** **14 Years**

(21) **Appl. No.:** **29/136,456**

(22) **Filed:** **Jan. 30, 2001**

(51) **LOC (7) Cl.** ..... **12-16**

(52) **U.S. Cl.** ..... **D12/209**

(58) **Field of Search** ..... D12/204-211;  
301/37.1, 64.1, 65

D. 432,481	*	10/2000	Brown	.....	D12/209
D. 432,973	*	10/2000	Fitzgerald	.....	D12/209
D. 438,156	*	2/2001	Stehrenberger	.....	D12/209
D. 438,161	*	2/2001	Ong	.....	D12/209
D. 438,501	*	3/2001	Noriega	.....	D12/209
D. 438,502	*	3/2001	Noreiga	.....	D12/209

\* cited by examiner

*Primary Examiner*—Stacia Cadmus

(74) *Attorney, Agent, or Firm*—Christie, Parker & Hale, LLP

(57) **CLAIM**

The ornamental design for a wheel, as shown and described.

**DESCRIPTION**

FIG. 1 is a perspective view of a wheel showing my new design;

FIG. 2 is a front elevational view thereof; and,

FIG. 3 is a cross-sectional view thereof taken along the line 3—3 in FIG. 2.

The broken line disclosure in FIGS. 1-3 is for illustrative purposes only and forms no part of the claimed design.

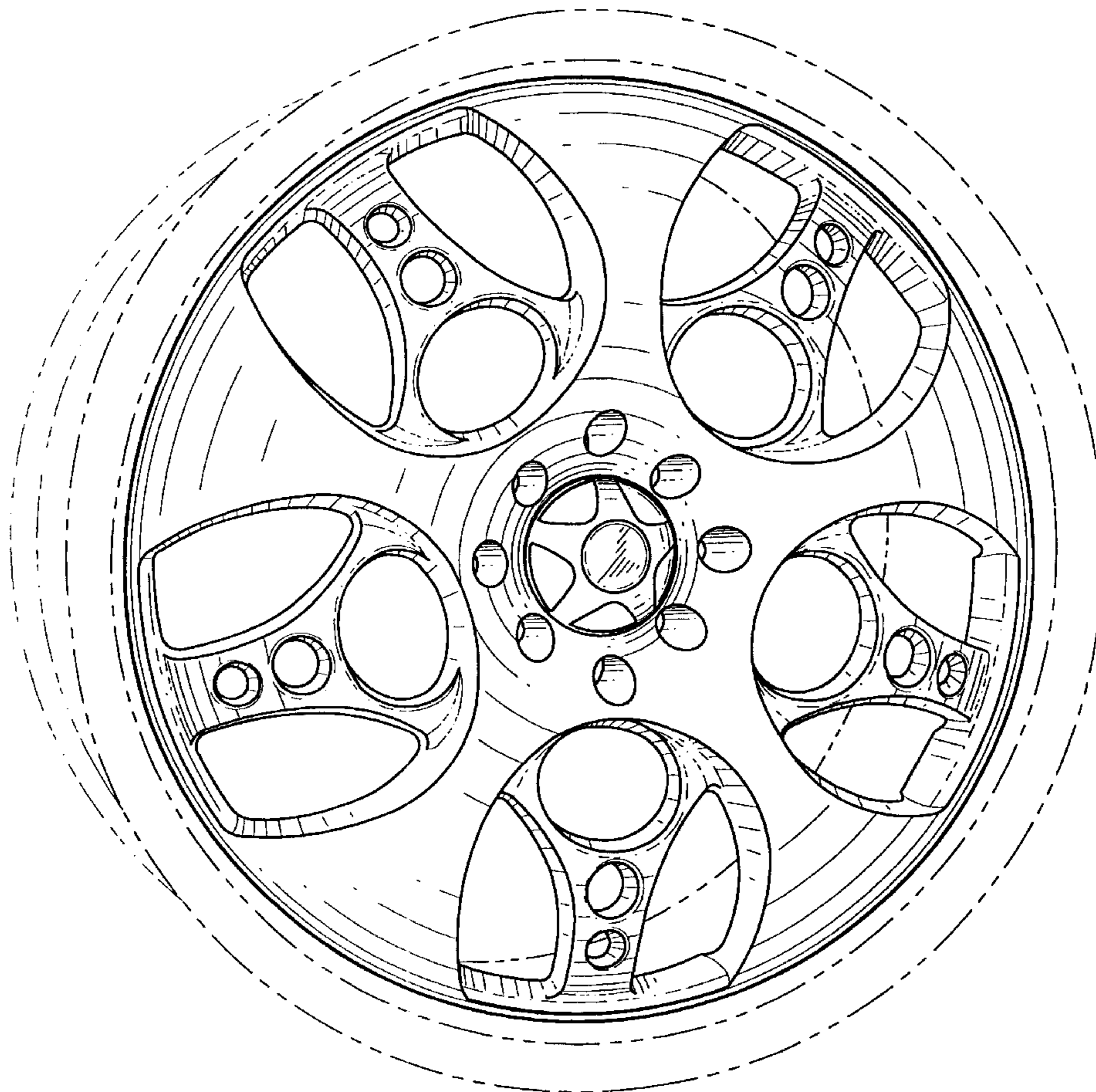
The rear of the wheel forms no part of the claimed design.

(56) **References Cited**

**U.S. PATENT DOCUMENTS**

D. 389,113	*	1/1998	Chung	.....	D12/209
D. 396,681	*	8/1998	Boyer	.....	D12/209
D. 412,879	*	8/1999	Hussaini et al.	.....	D12/209
D. 416,847	*	11/1999	Couzyn et al.	.....	D12/209
D. 423,444	*	4/2000	Hussaini et al.	.....	D12/209
D. 429,680	*	8/2000	Hodges	.....	D12/209

**1 Claim, 2 Drawing Sheets**



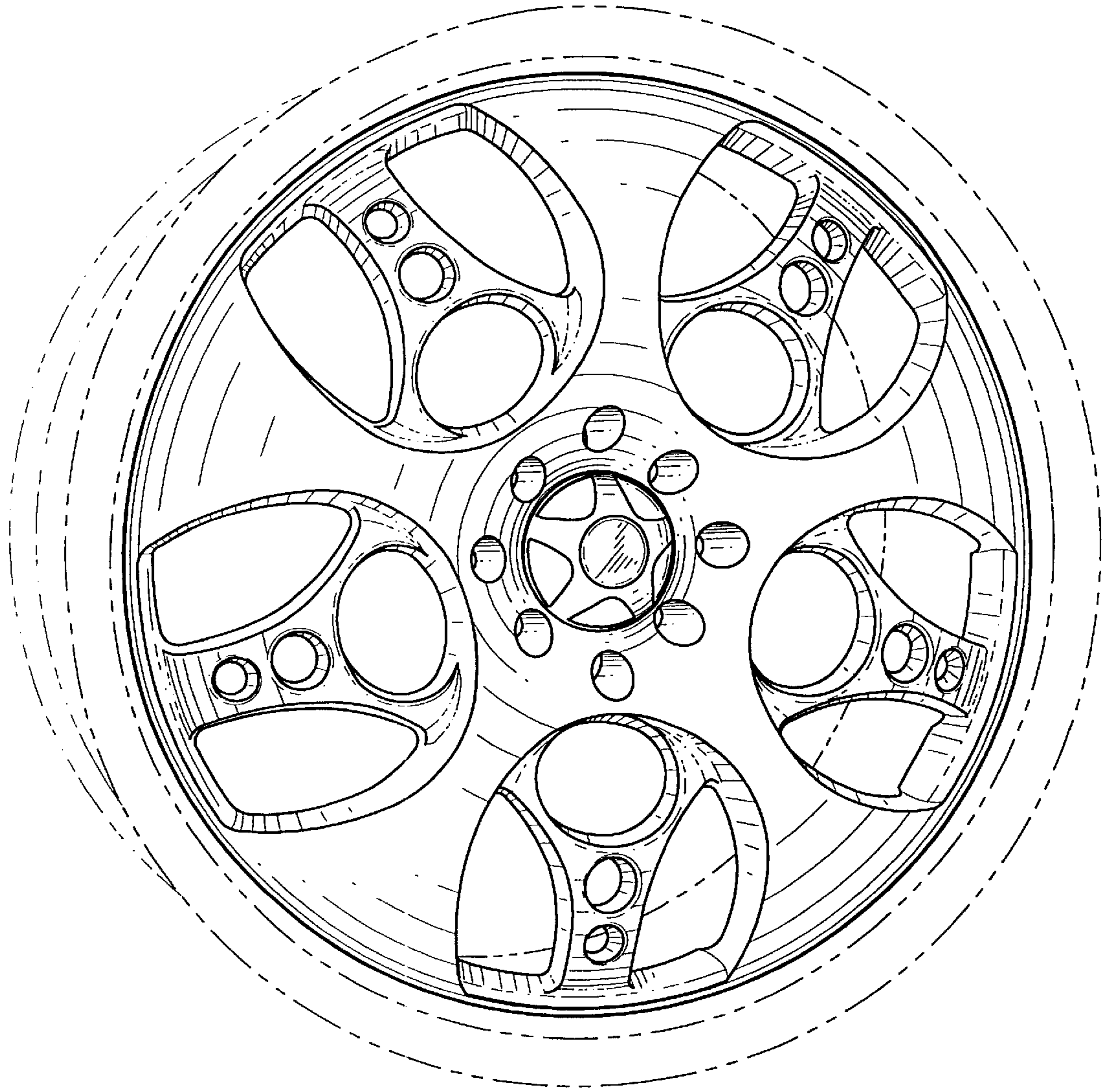


FIG. 1

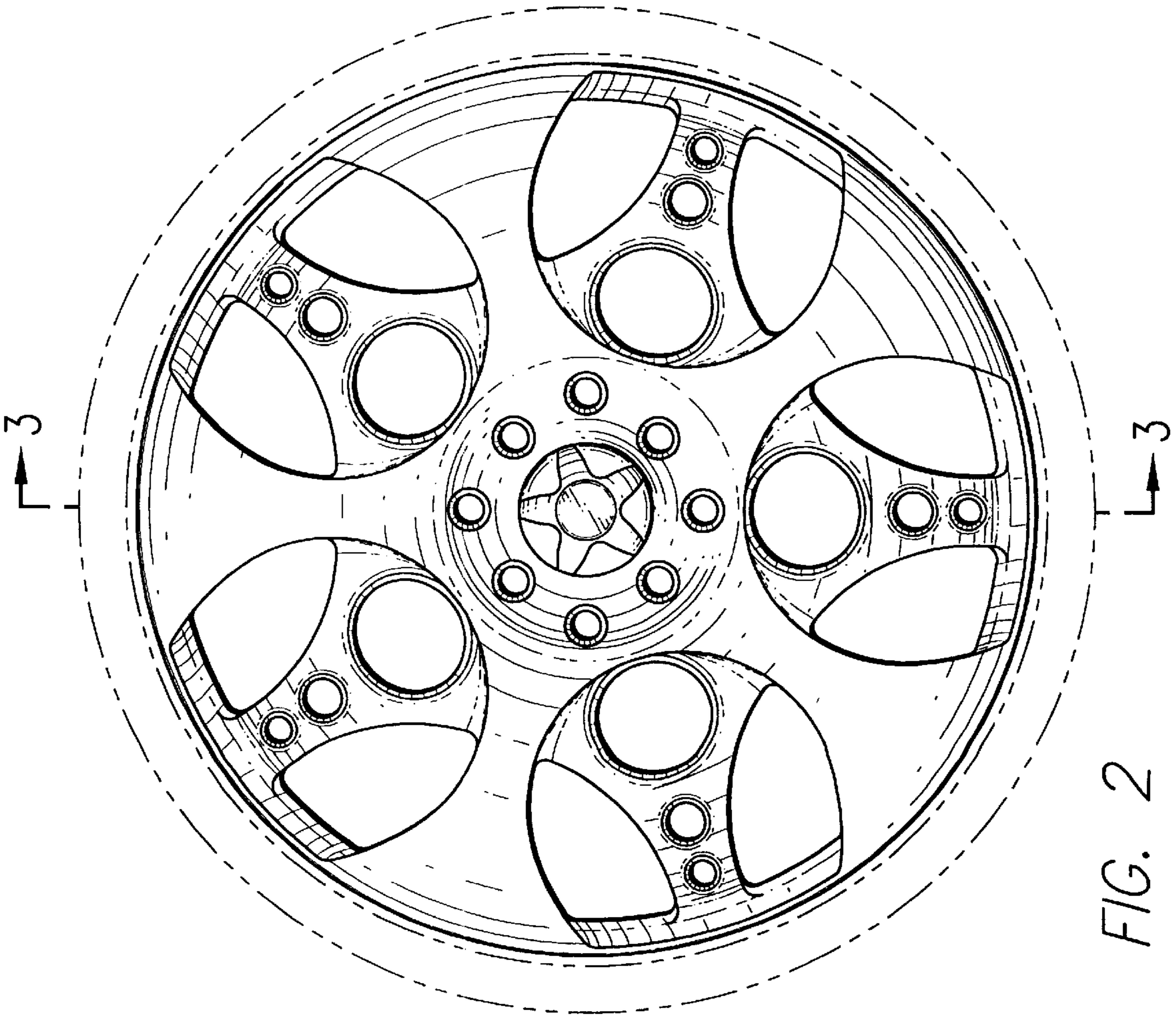


FIG. 2

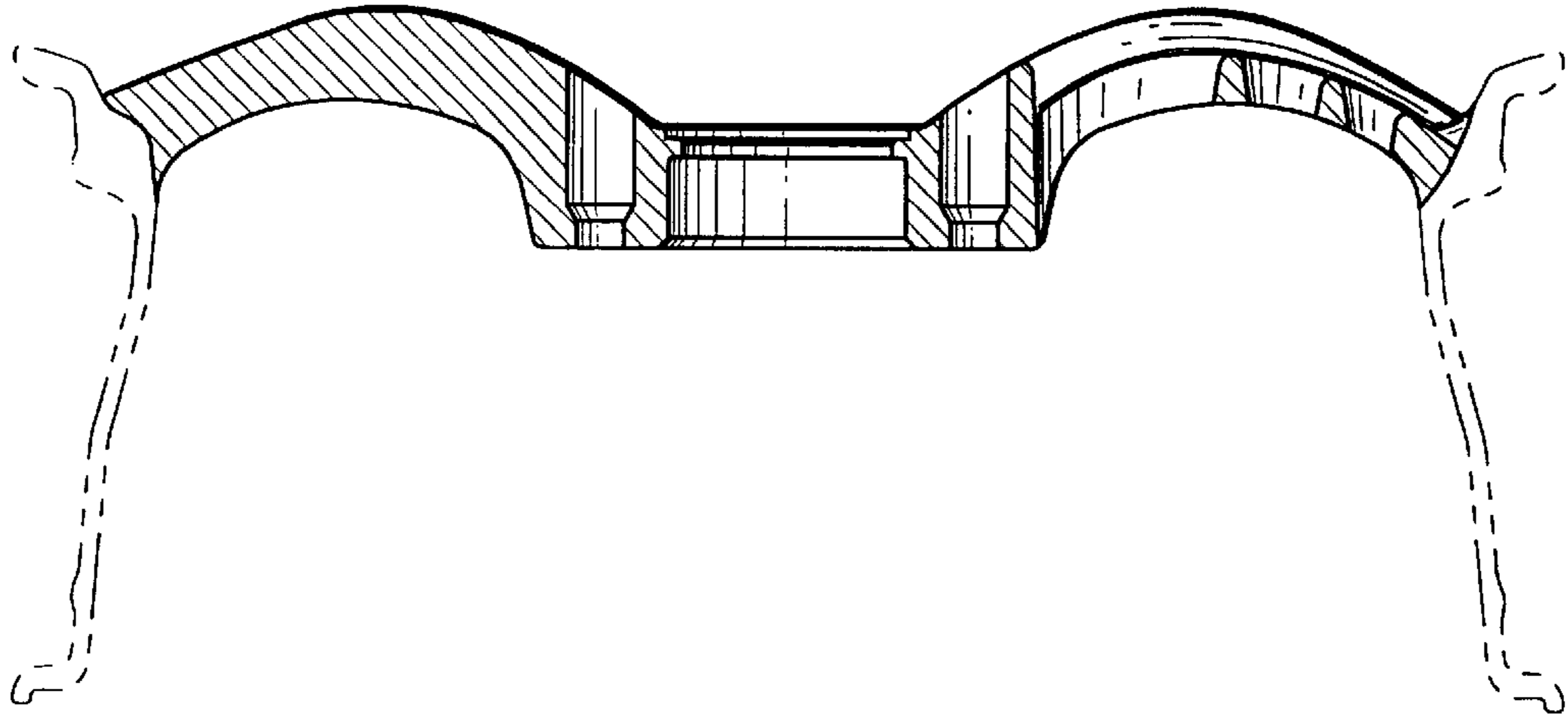


FIG. 3