



US00D451872B1

(12) **United States Design Patent**  
**Arellano**

(10) **Patent No.:** **US D451,872 S**

(45) **Date of Patent:** **\*\* Dec. 11, 2001**

(54) **WHEEL**

(75) **Inventor:** **Joe Arellano, Temecula, CA (US)**

(73) **Assignee:** **Ultra Wheel Co., Buena Park, CA (US)**

(\*\*) **Term:** **14 Years**

(21) **Appl. No.:** **29/136,431**

(22) **Filed:** **Jan. 30, 2001**

(51) **LOC (7) Cl.** ..... **12-16**

(52) **U.S. Cl.** ..... **D12/209**

(58) **Field of Search** ..... **D12/204-211;**  
**301/37.1, 64.1, 65**

(56) **References Cited**

**U.S. PATENT DOCUMENTS**

- D. 432,481 \* 10/2000 Brown ..... D12/209
- D. 432,972 \* 10/2000 Chung ..... D12/209
- D. 438,161 \* 2/2001 Ong ..... D12/209
- D. 438,832 \* 3/2001 Ong ..... D12/209

- D. 444,438 \* 7/2001 Brintouch ..... D12/209
- D. 444,755 \* 7/2001 Azuma et al. .... D12/209
- D. 444,756 \* 7/2001 Brintouch ..... D12/209

\* cited by examiner

*Primary Examiner*—Stacia Cadmus

(74) *Attorney, Agent, or Firm*—Christie, Parker & Hale, LLP

(57) **CLAIM**

The ornamental design for a wheel, as shown and described.

**DESCRIPTION**

FIG. 1 is a perspective view of a wheel showing my new design;

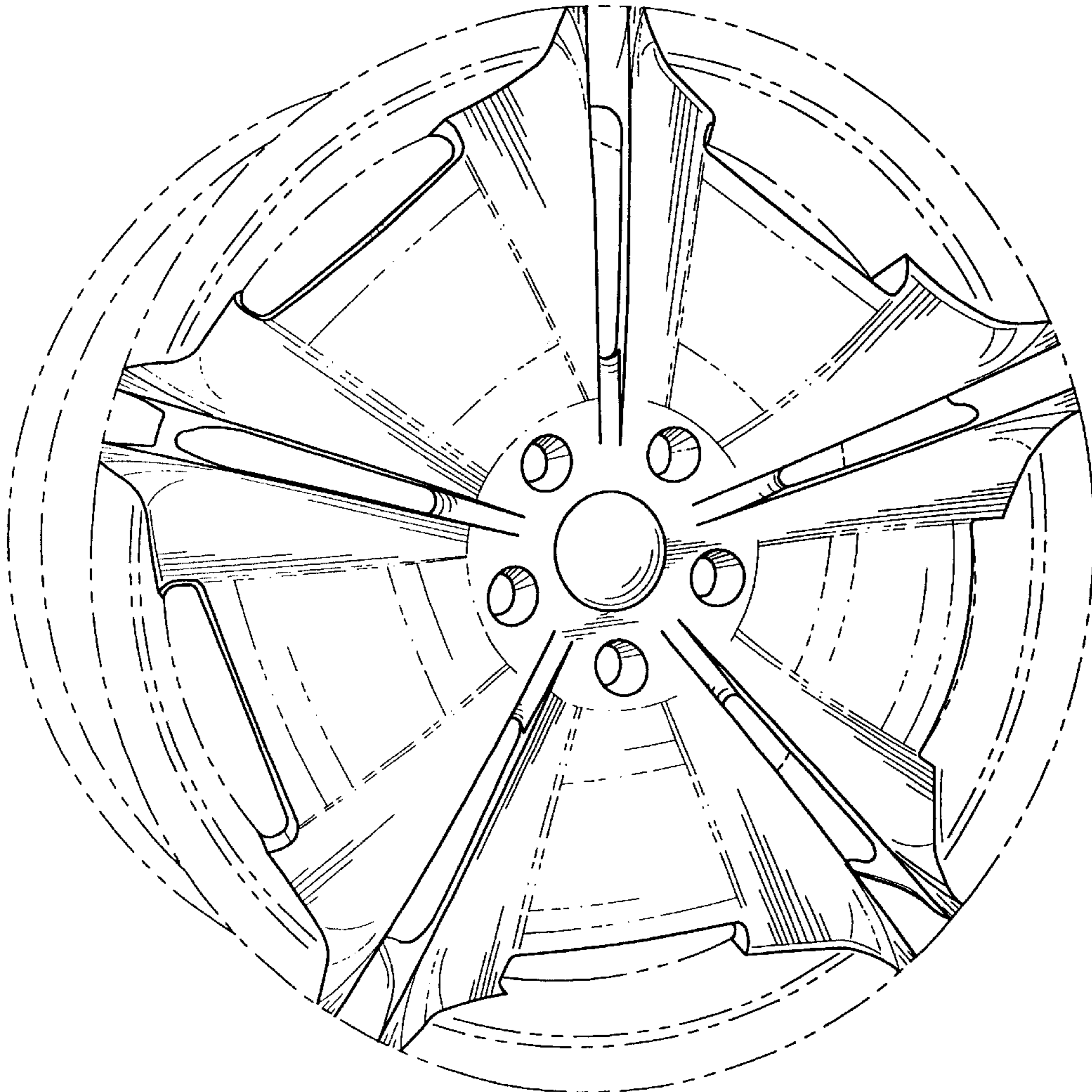
FIG. 2 is a front elevational view thereof; and,

FIG. 3 is a cross-sectional view thereof taken along the line 3—3 in FIG. 2.

The broken line disclosure in FIGS. 1–3 is for illustrative purposes only and forms no part of the claimed design.

The rear of the wheel forms no part of the claimed design.

**1 Claim, 2 Drawing Sheets**



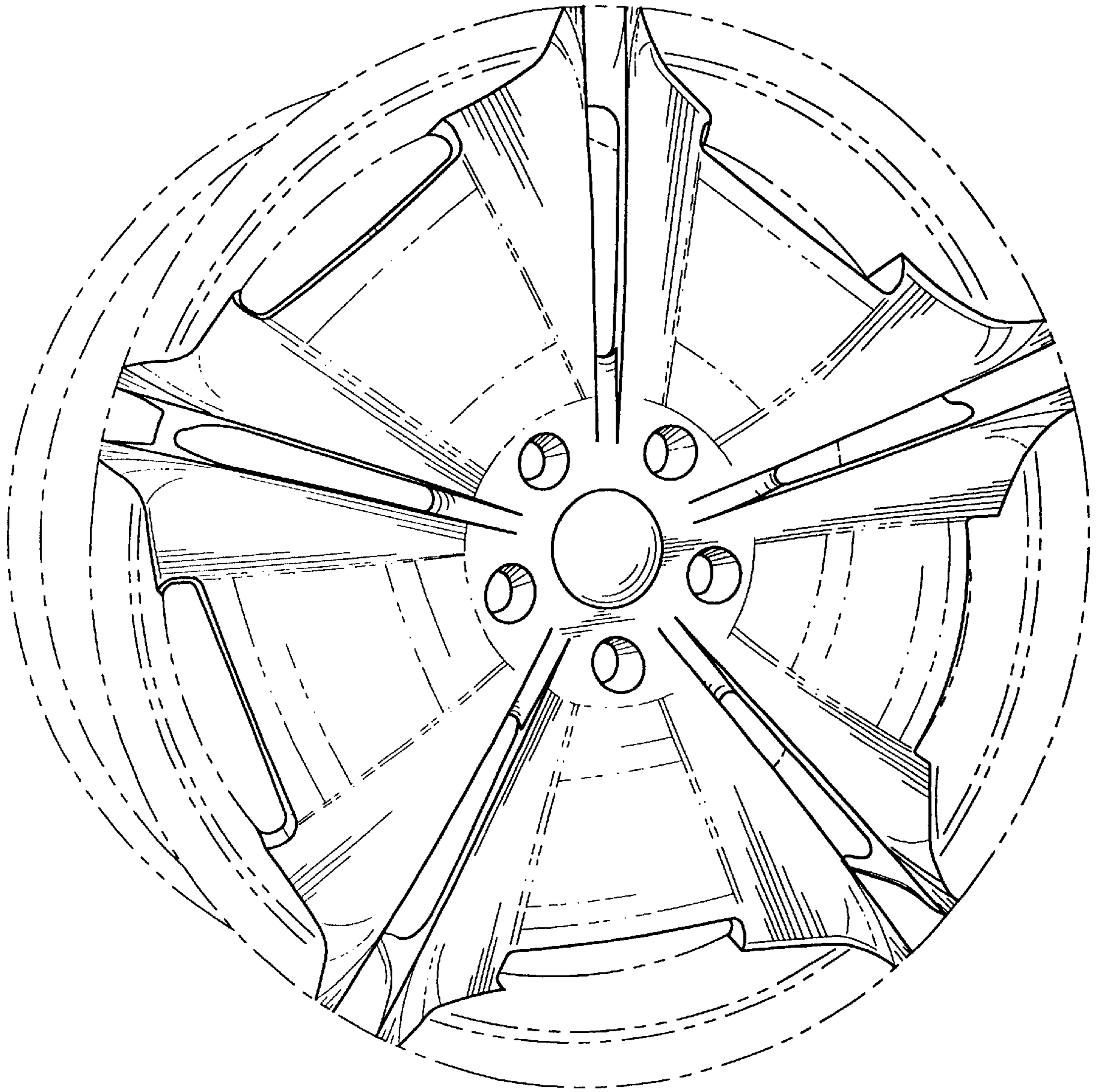


FIG. 1

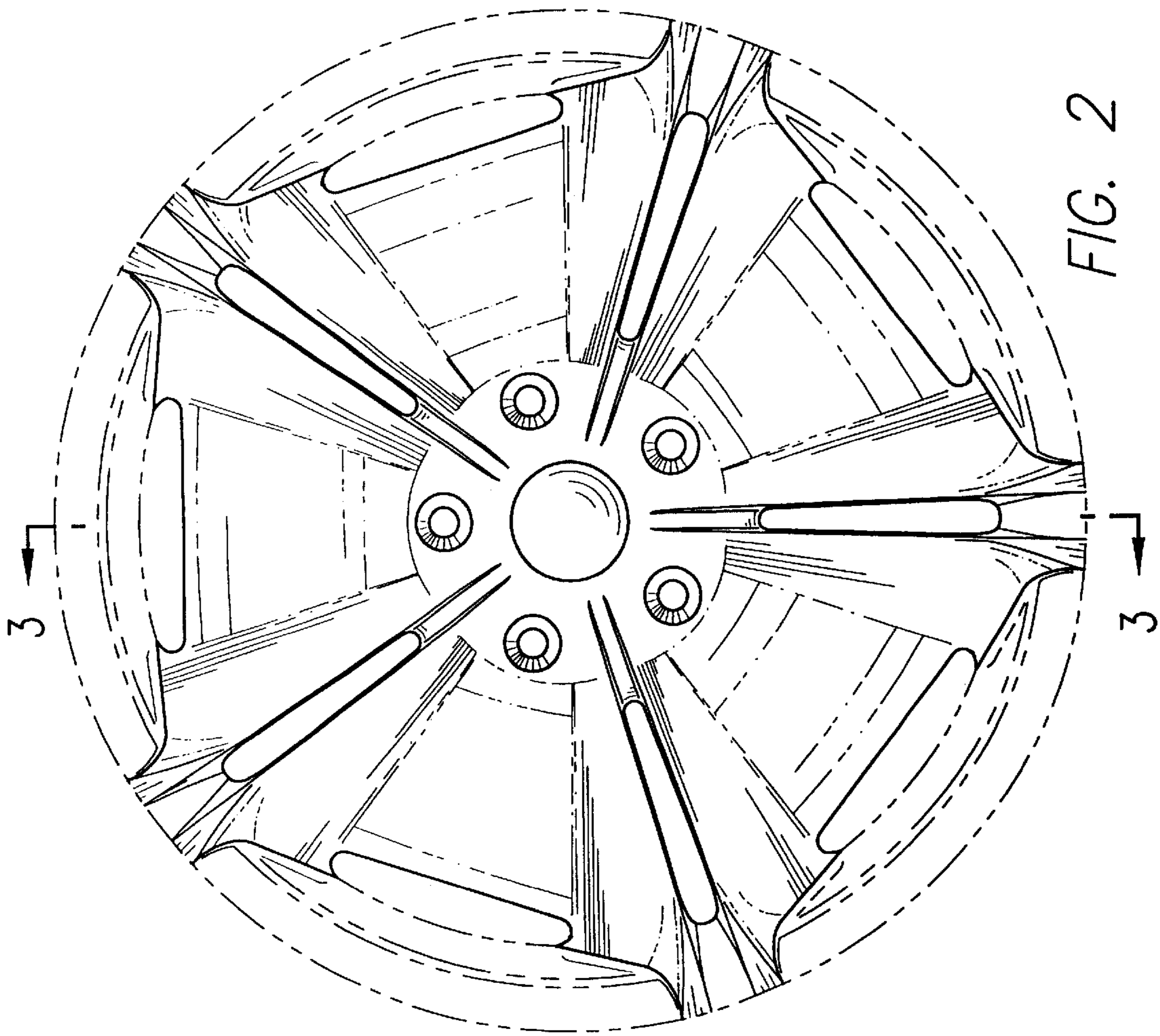


FIG. 2

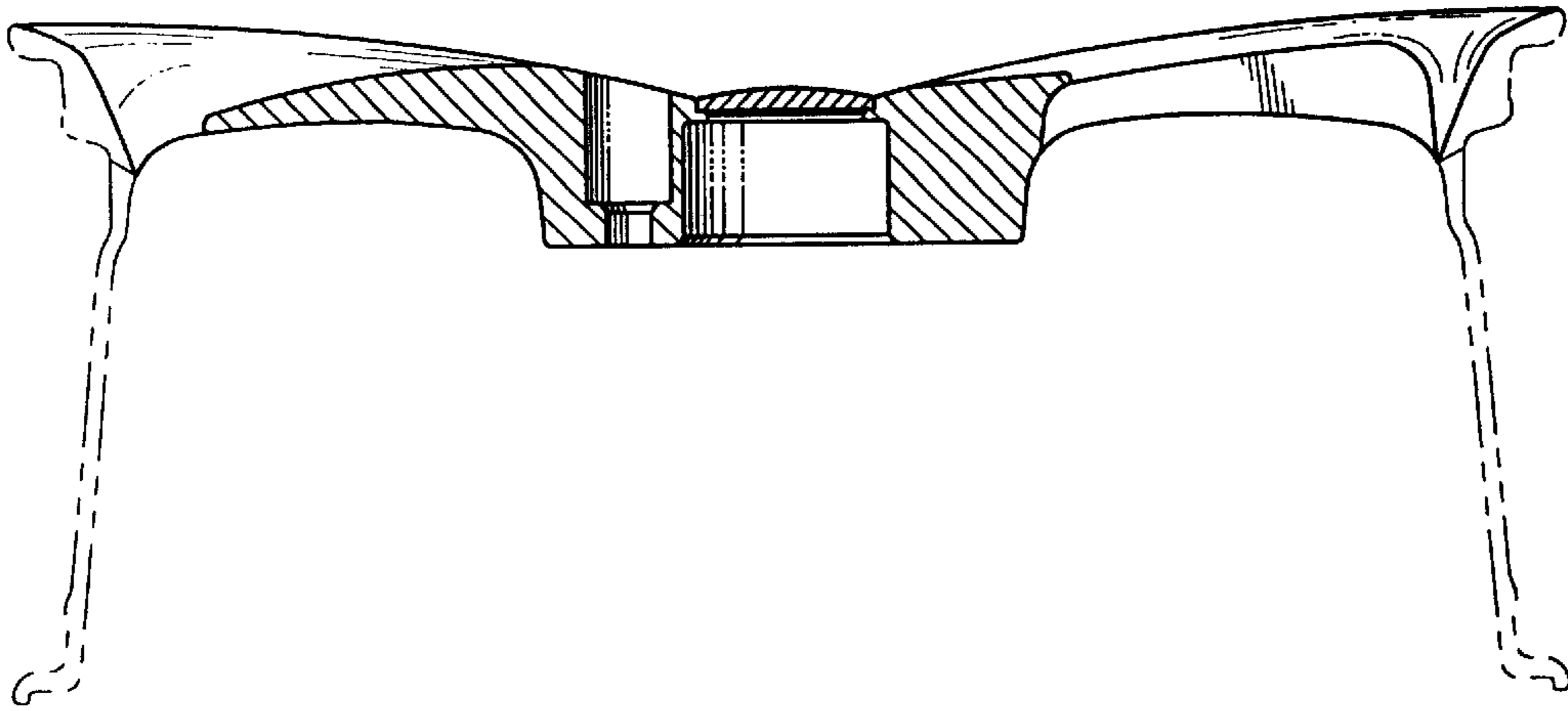


FIG. 3