



US00D451854B1

(12) **United States Design Patent**  
**Hanya**

(10) **Patent No.:** **US D451,854 S**

(45) **Date of Patent:** **\*\* Dec. 11, 2001**

(54) **TIRE FOR AUTOMOBILE**

(75) Inventor: **Masahiro Hanya, Kobe (JP)**

(73) Assignee: **Sumitomo Rubbert Industries, Ltd.,  
Kobe (JP)**

(\*\*) Term: **14 Years**

(21) Appl. No.: **29/121,836**

(22) Filed: **Apr. 14, 2000**

(30) **Foreign Application Priority Data**

Dec. 16, 1999 (JP) ..... 11-34775

(51) **LOC (7) Cl.** ..... **12-15**

(52) **U.S. Cl.** ..... **D12/147**

(58) **Field of Search** ..... D12/134-152;  
152/209.1, 209.3, 209.9, 209.13, 209.28,  
902, 903, 904

(56) **References Cited**

**U.S. PATENT DOCUMENTS**

D. 400,134 \* 10/1998 Sato et al. .... D12/147  
D. 423,424 \* 4/2000 Ikeda ..... D12/147

**FOREIGN PATENT DOCUMENTS**

G2-91191 4/1991 (JP) .....

**OTHER PUBLICATIONS**

Bridestone Potenza RE910 Tire, 1999 Tread Design Guide,  
Jan. 1999, p. 14. 4/3.\*

Woosung DH II-65 Tire, 1999 Tread Design Guide, Jan.  
1999, p. 76. 4/1.\*

Toyo Tranpath S/U Tire, 1999 Tread Design Guide, Jan.  
1999, p. 120. 4/1.\*

\* cited by examiner

*Primary Examiner*—Robert M. Spear

(74) *Attorney, Agent, or Firm*—Birch, Stewart, Kolasch &  
Birch, LLP

(57) **CLAIM**

The ornamental design for a tire for automobile, as shown  
and described.

**DESCRIPTION**

FIG. 1 is a front view of a tire for automobile showing my  
new design;

FIG. 2 is a top plan view thereof;

FIG. 3 is a perspective view thereof;

FIG. 4 is a left side view thereof;

FIG. 5 is a right side view thereof;

FIG. 6 is an enlarged front view thereof;

FIG. 7 is a cross-sectional view taken along line 7—7 of  
FIG. 6;

FIG. 8 is a cross-sectional view taken along line 8—8 of  
FIG. 6; and,

FIG. 9 is a referential enlarged front view thereof showing  
a part of grooves with black color.

**1 Claim, 5 Drawing Sheets**

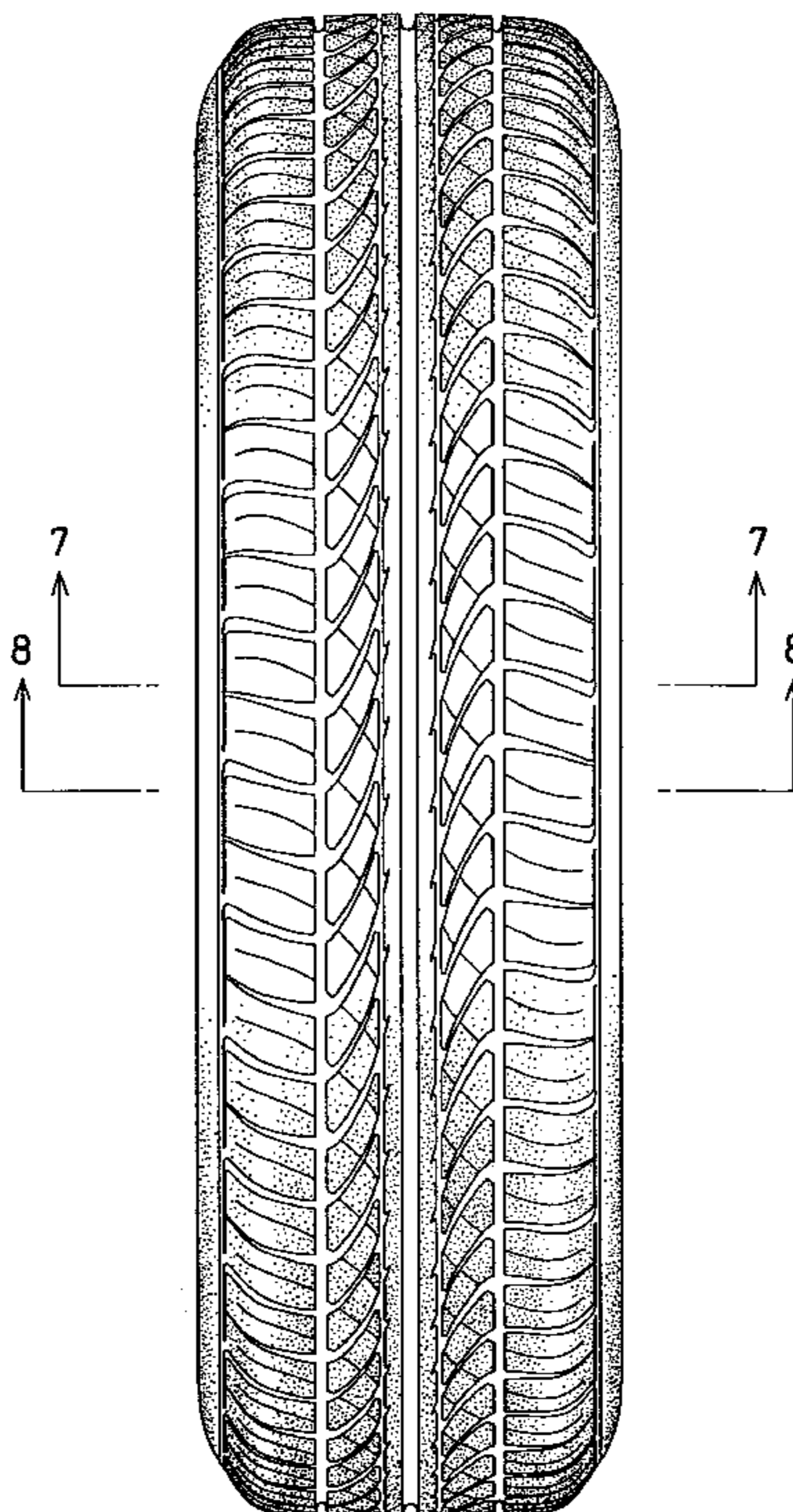


Fig. 1

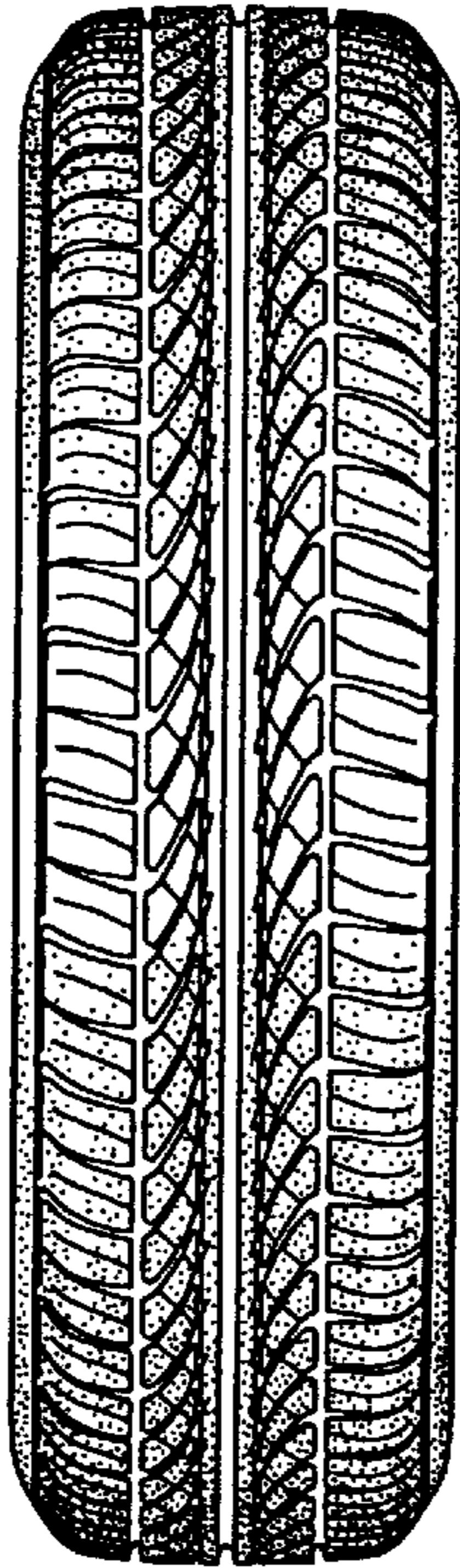


Fig. 2

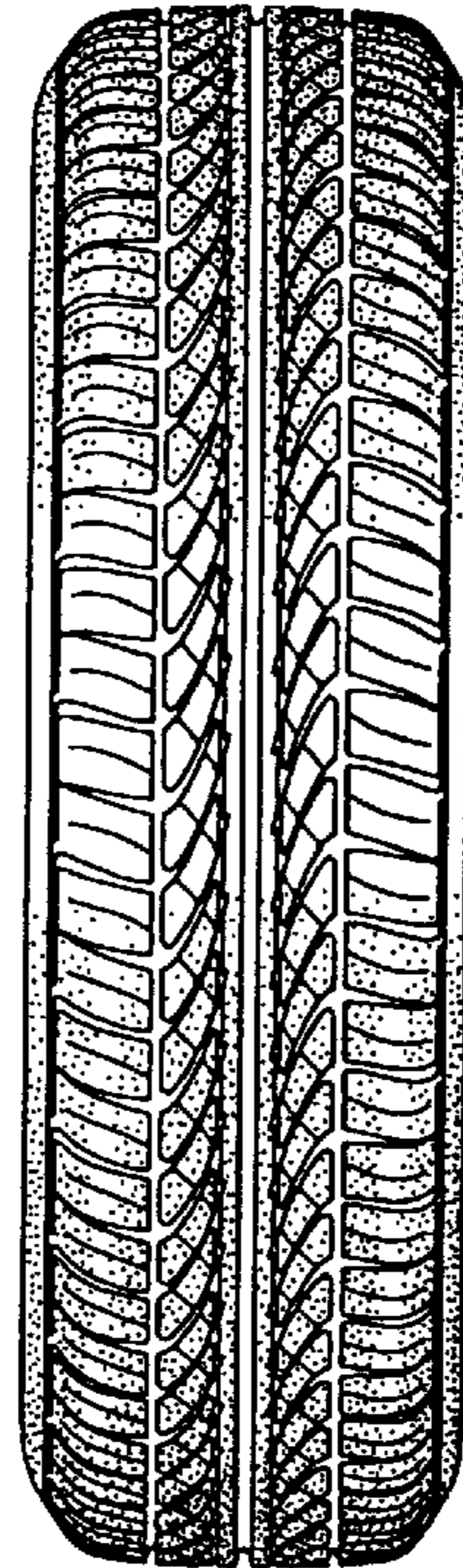


Fig. 3

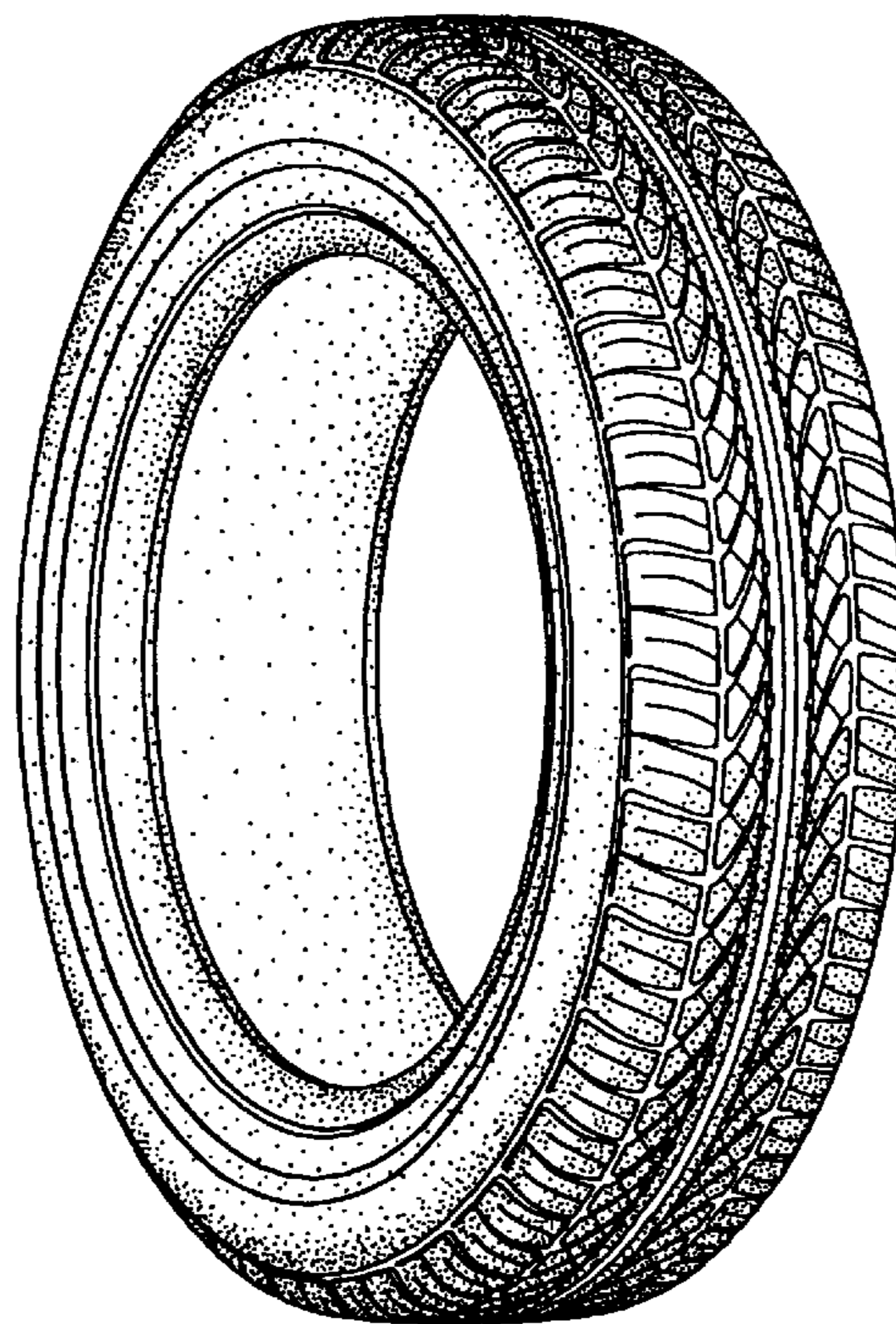




Fig. 4

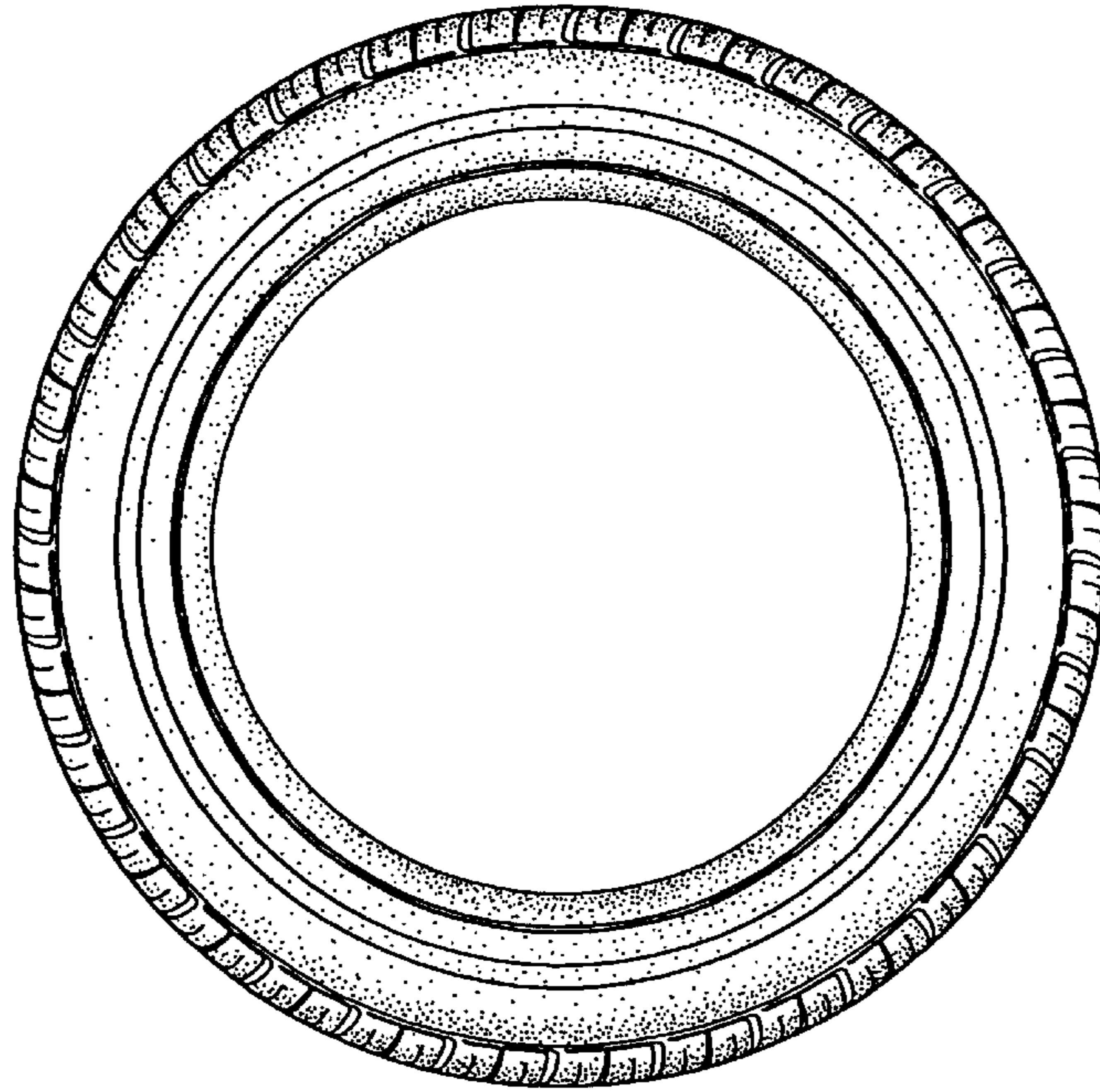


Fig. 5

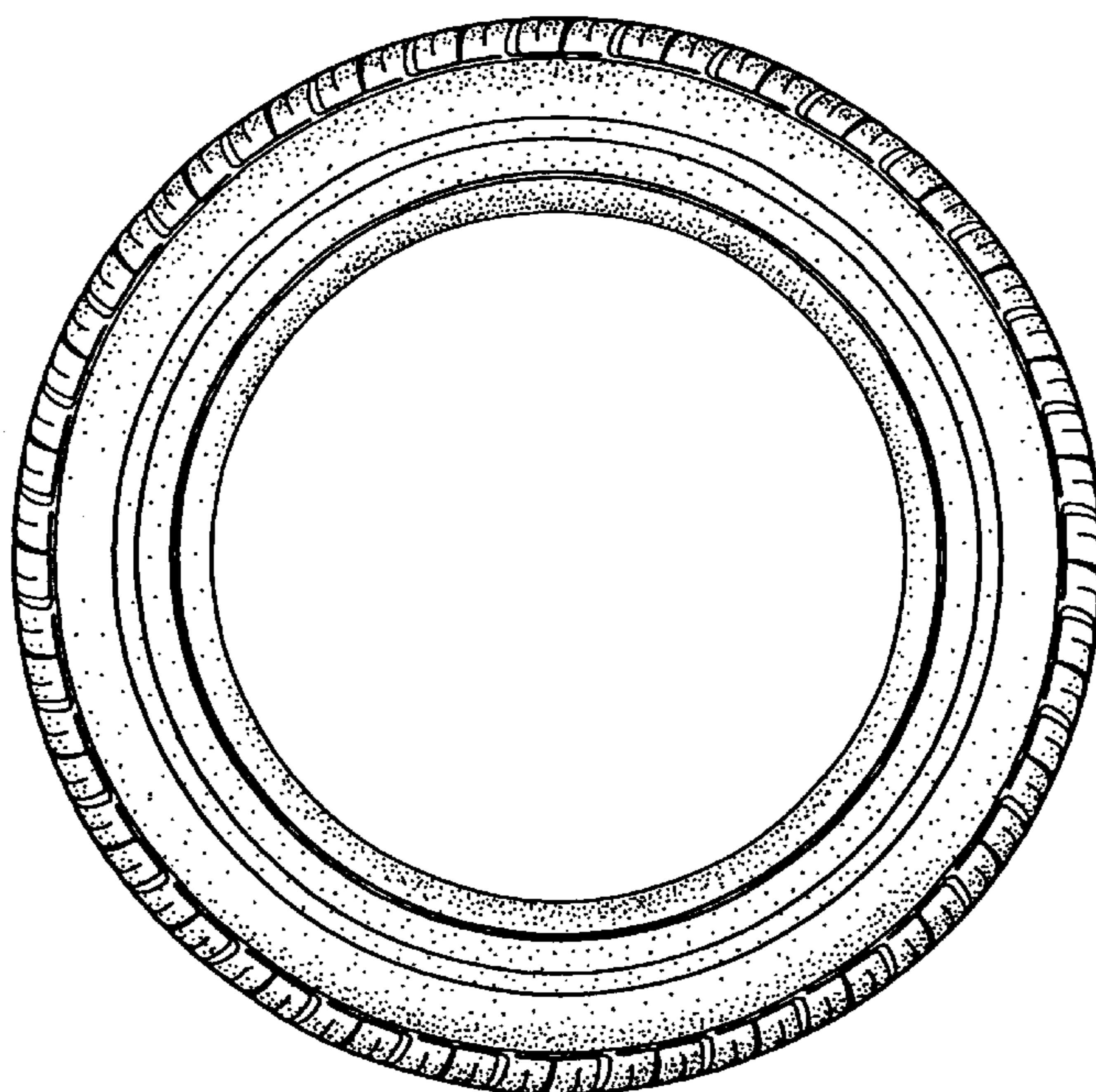


Fig. 6

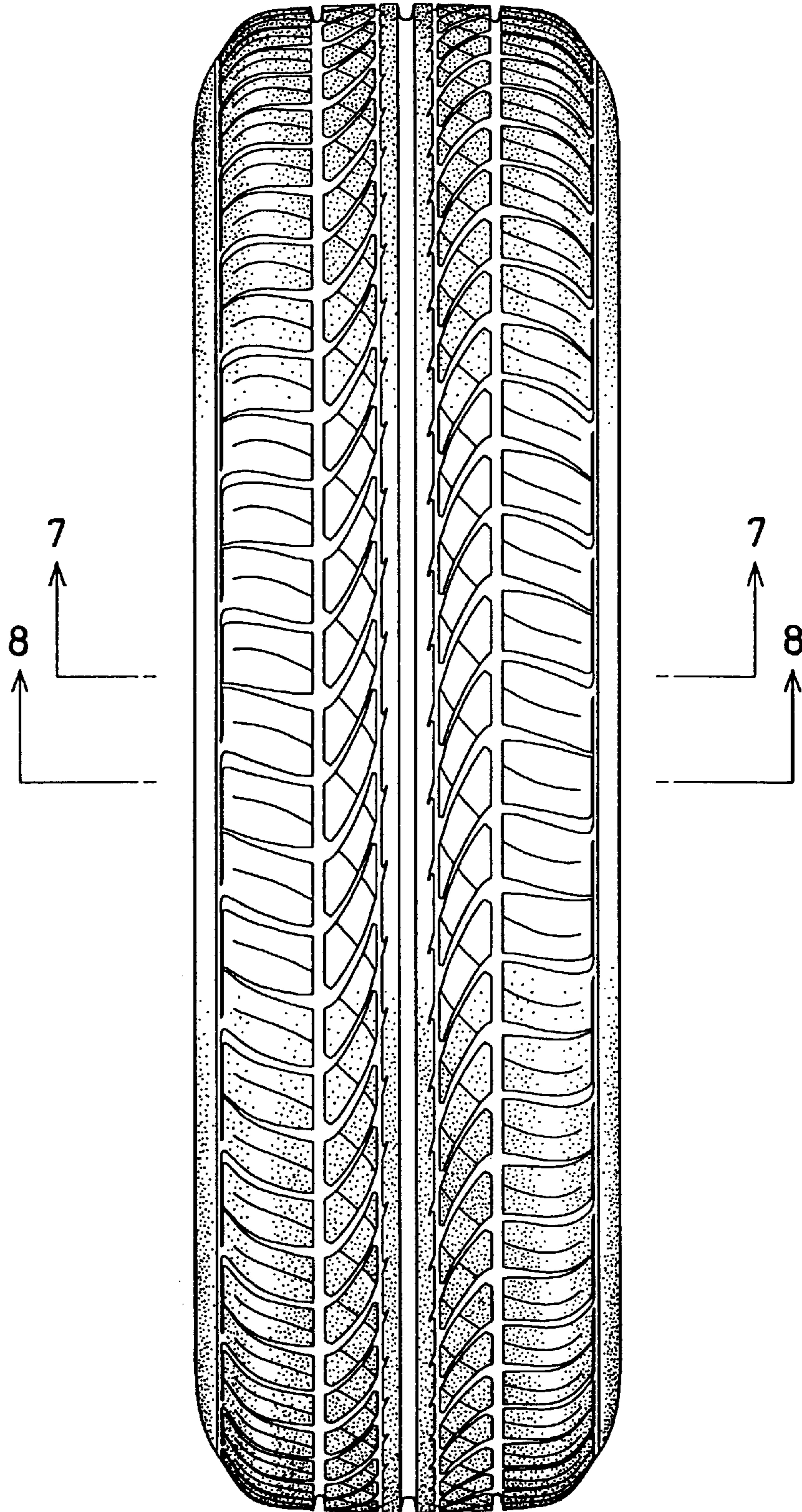


Fig. 7

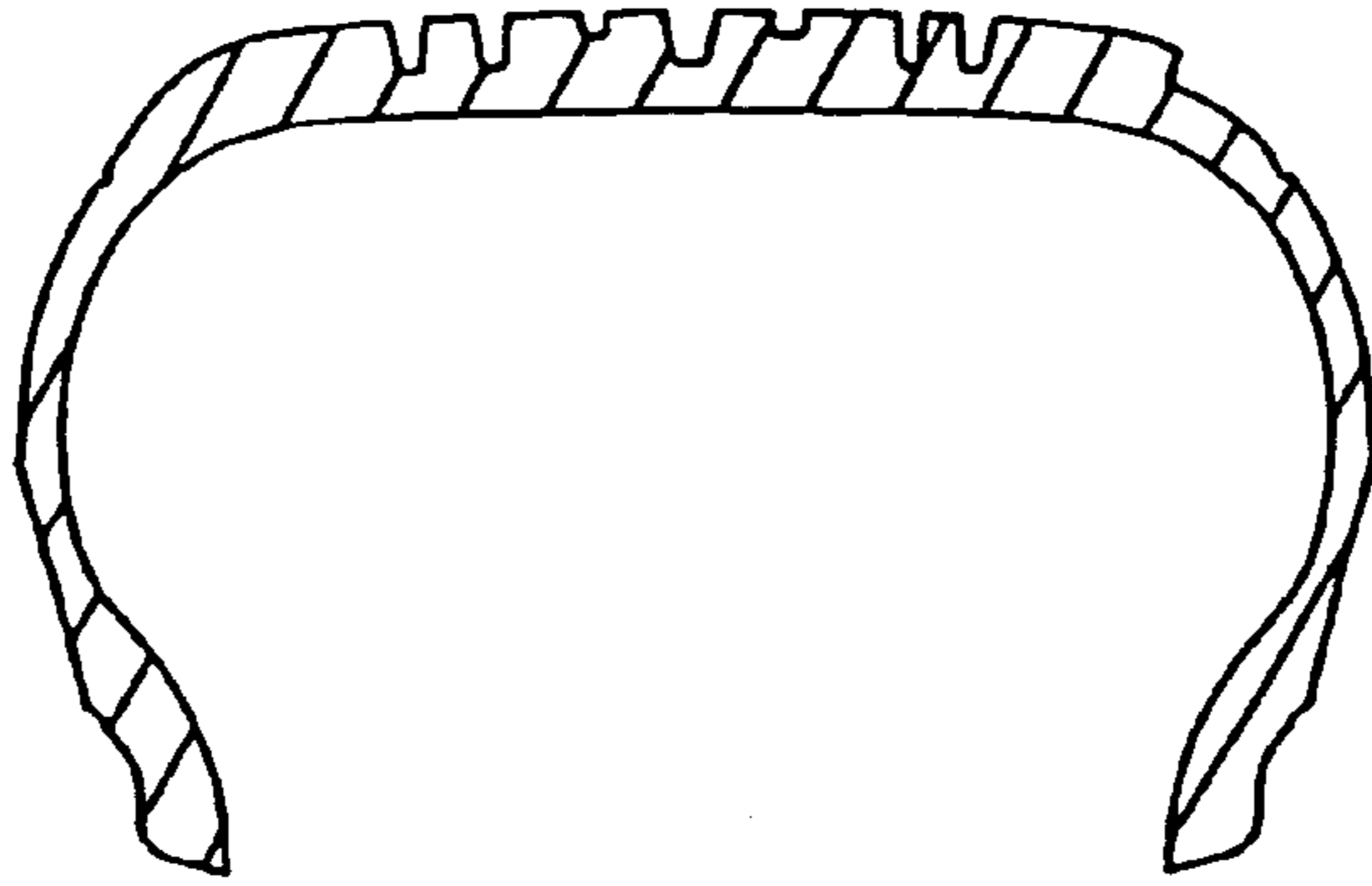


Fig. 8

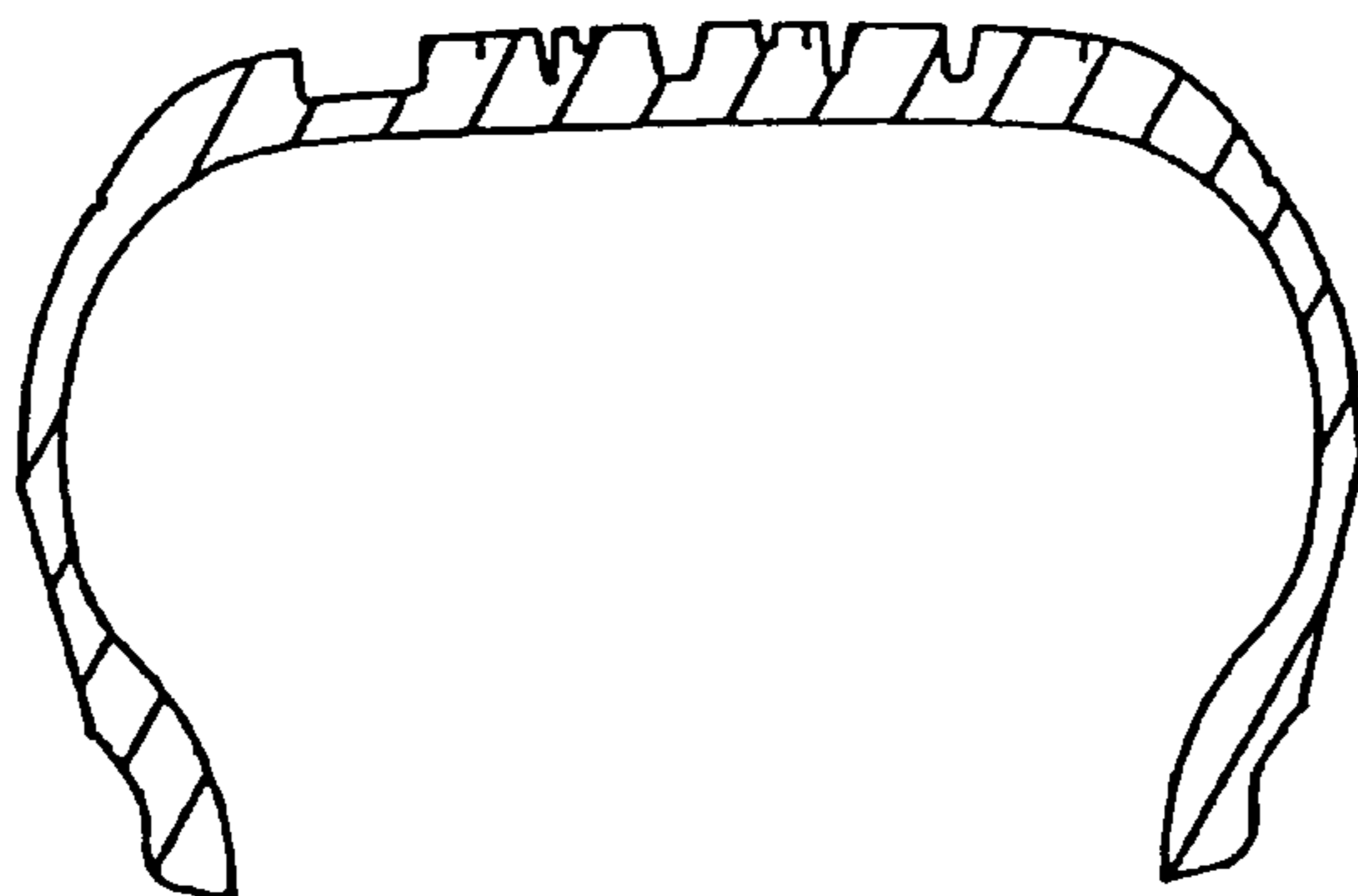




Fig. 9

