



US00D451853B1

(12) **United States Design Patent**
Heinen et al.

(10) **Patent No.:** **US D451,853 S**

(45) **Date of Patent:** **** Dec. 11, 2001**

(54) **TIRE TREAD**

(75) Inventors: **Richard Heinen**, Habay-la-Neuve (BE);
Georges Nicolas Hilbert, Moutfort (LU)

(73) Assignee: **The Goodyear Tire & Rubber Company**, Akron, OH (US)

(**) Term: **14 Years**

(21) Appl. No.: **29/133,325**

(22) Filed: **Nov. 28, 2000**

(51) **LOC (7) Cl.** **12-15**

(52) **U.S. Cl.** **D12/146; D12/152**

(58) **Field of Search** **D12/134-152;**
152/209.1, 209.3, 209.9, 209.13, 209.28,
902, 903, 904

(56) **References Cited**

U.S. PATENT DOCUMENTS

D. 322,950	1/1992	Overhoff et al.	D12/147
D. 334,370	3/1993	White	D12/147
D. 342,047	12/1993	Takahashi	D12/146
D. 347,606	6/1994	Mehta	D12/147
D. 379,449	5/1997	Graas et al.	D12/151
D. 383,715	9/1997	Ochi et al.	D12/147
D. 409,123 *	5/1999	Heinen et al.	D12/151
6,000,450	12/1999	Kishimoto et al.	152/209.1

OTHER PUBLICATIONS

Kumho Power Grip 749 Tire, 1999 Tread Design Guide, Jan. 1999, p. 43. 4/3.*

Marshal Power Grip 749P Tire, 1999 Tread Design Guide, Jan. 1999, p. 46. 2/5.*

* cited by examiner

Primary Examiner—Robert M. Spear

(74) *Attorney, Agent, or Firm*—David E. Wheeler

(57) **CLAIM**

The ornamental Design for a tire tread, as shown and described.

DESCRIPTION

FIG. 1 is a perspective view of a tire tread showing our new design, it being understood that the pattern repeats uniformly throughout the circumference of the tread;

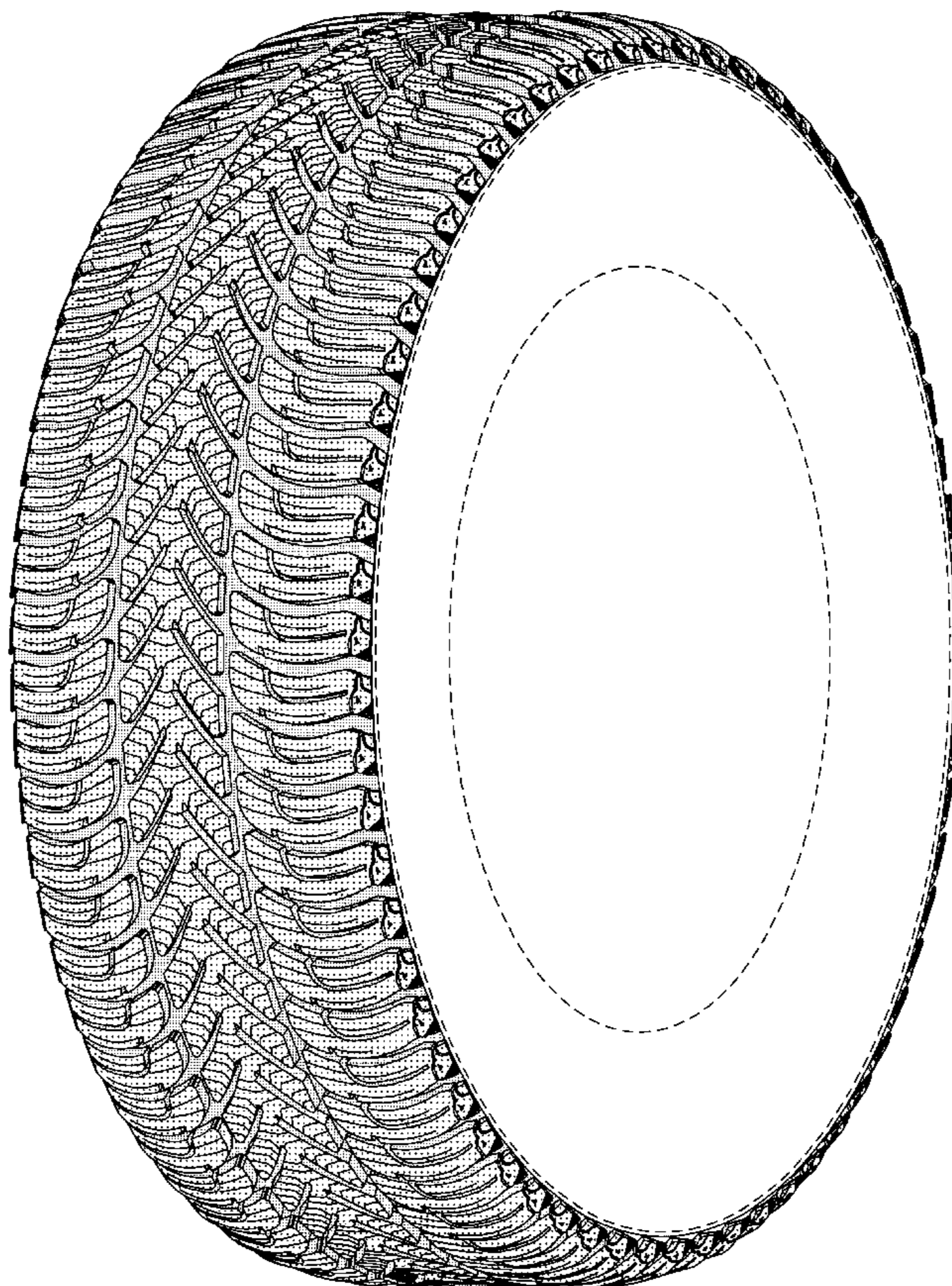
FIG. 2 is a front elevational view thereof;

FIG. 3 is a right side elevational view thereof, the other side being a mirror image of the right side thereof; and,

FIG. 4 is an enlarged fragmentary perspective view.

In the drawings, the broken lines defining the inner bead of the sidewall and the peripheral boundary between the tire tread and the sidewall are for illustrative purposes only and form no part of the claimed design.

1 Claim, 4 Drawing Sheets



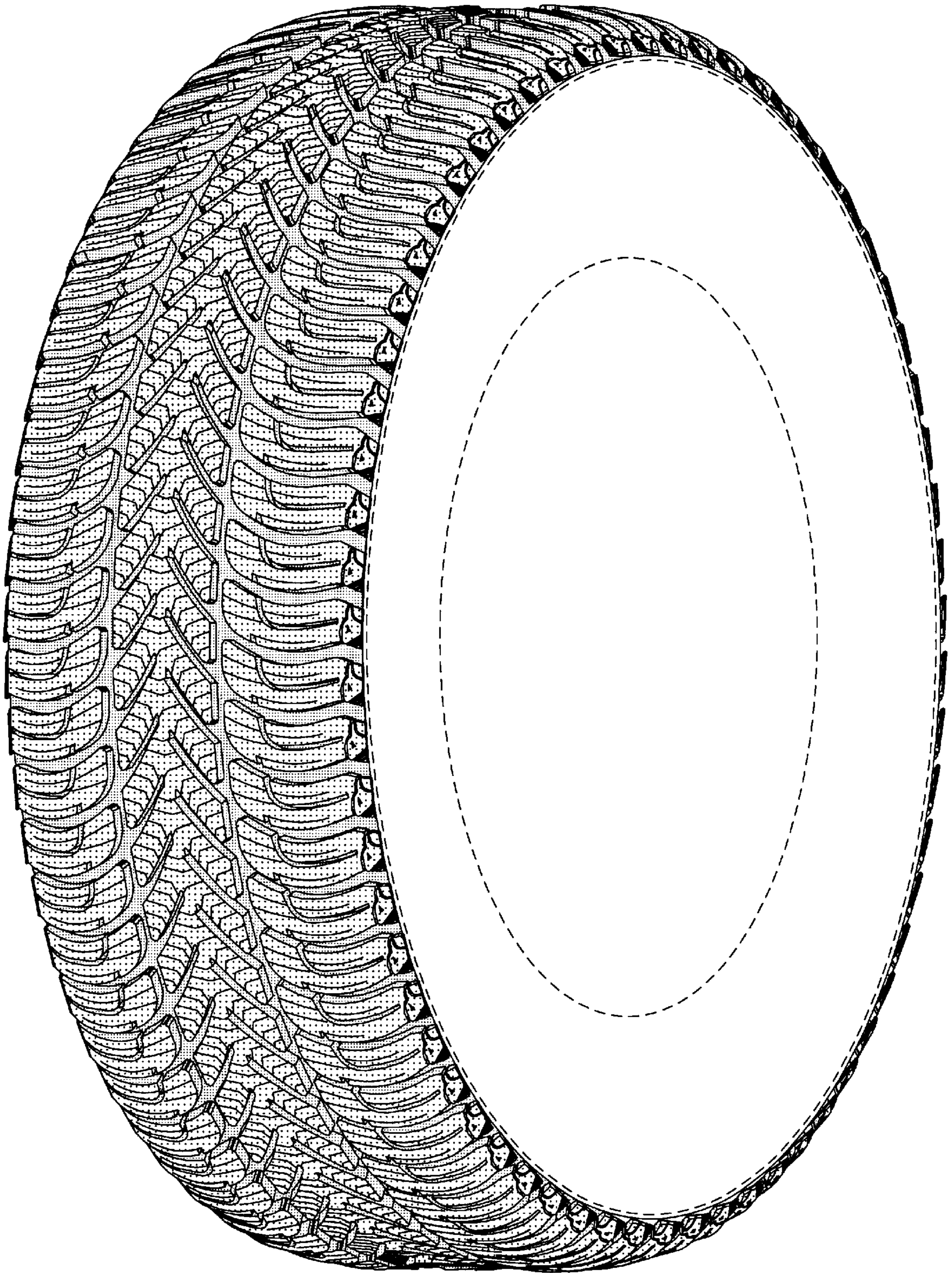


Figure 1

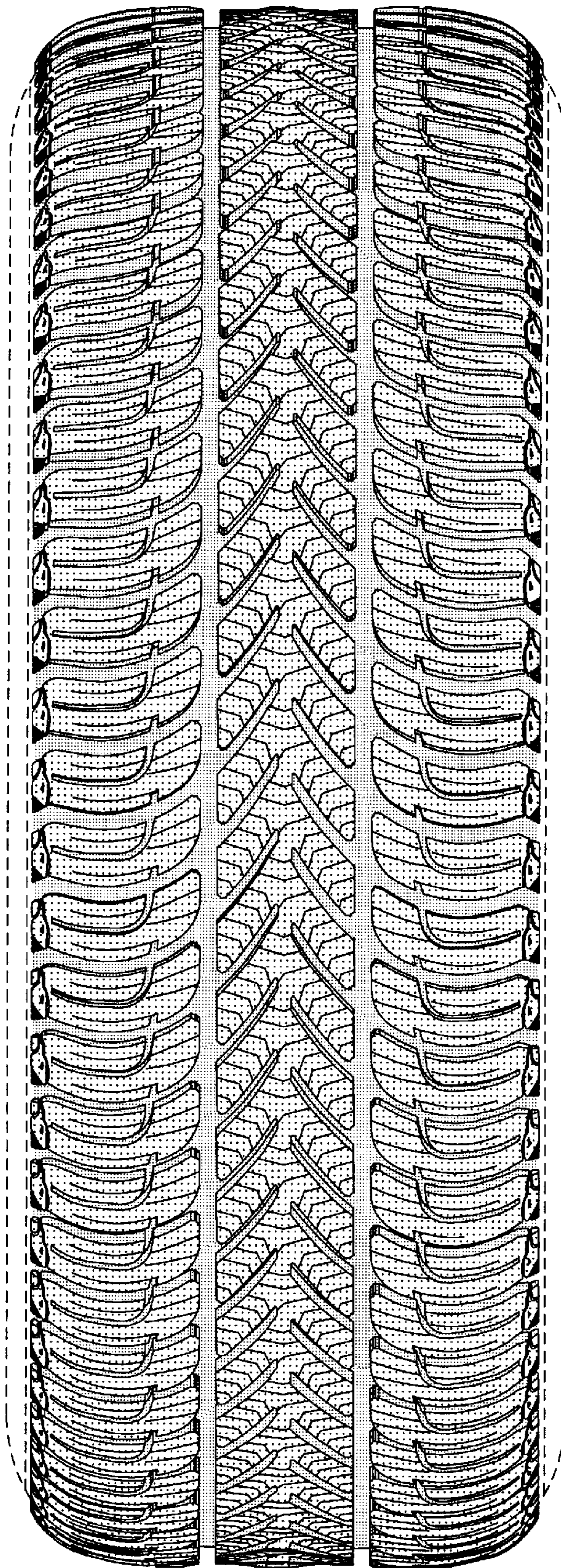


Figure 2

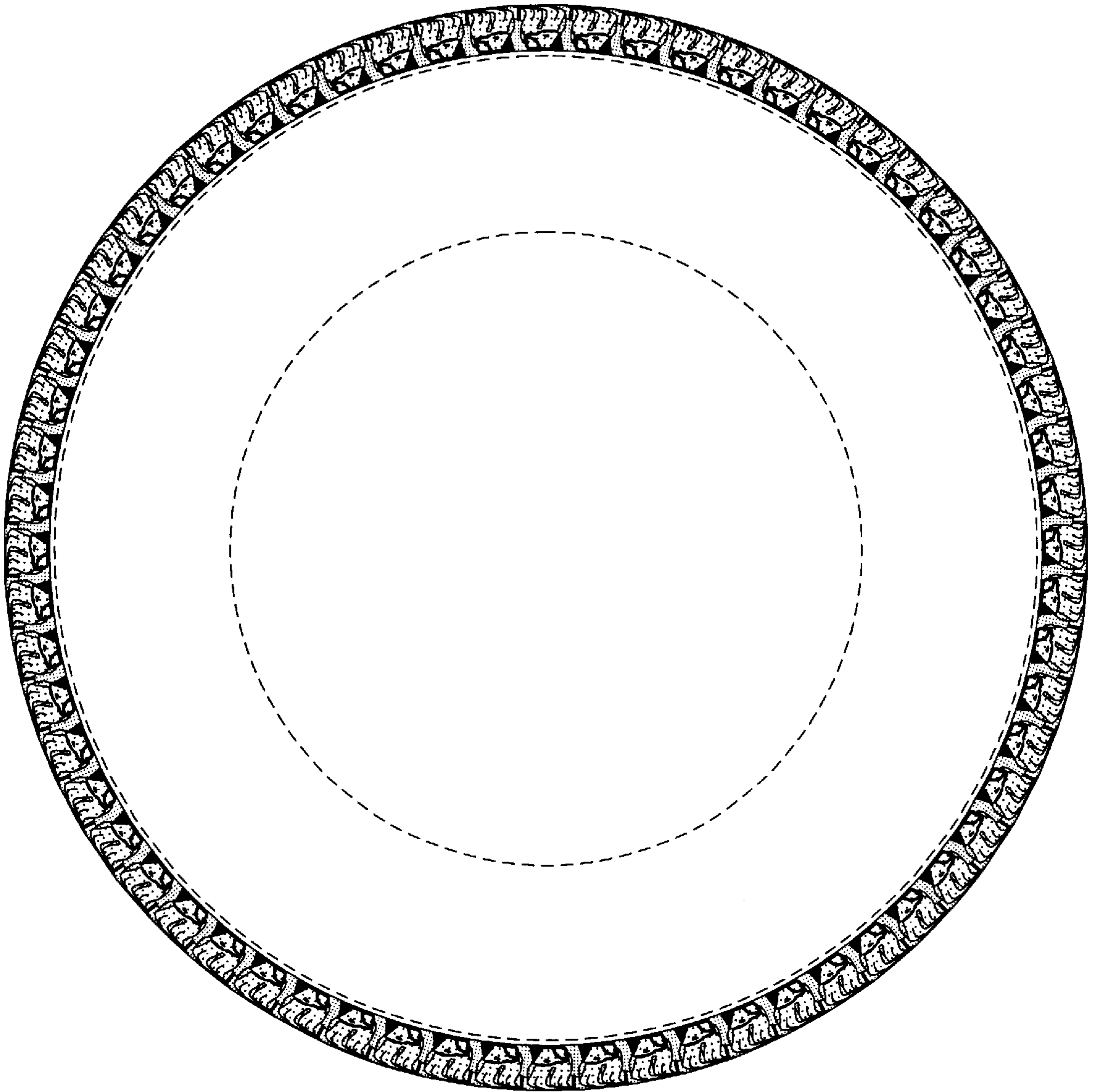


Figure 3

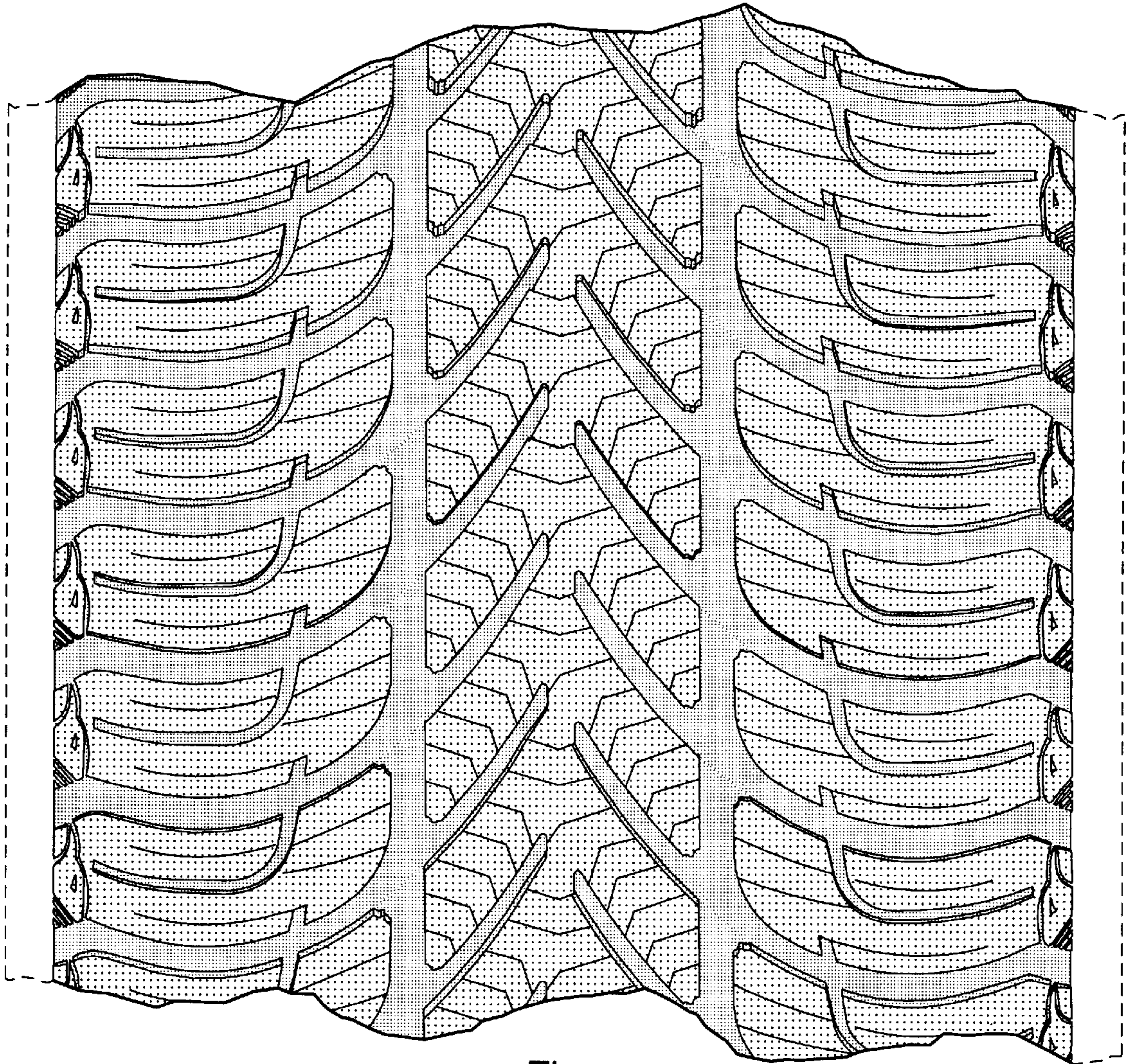


Figure 4