



US00D451850B1

(12) **United States Design Patent**
Lan

(10) **Patent No.:** **US D451,850 S**

(45) **Date of Patent:** **** Dec. 11, 2001**

(54) **FRONT CARRIAGE FORK**

D. 419,496 * 1/2000 Garver, Jr. D12/133

(76) Inventor: **Red Lan**, 15F, No. 108, Sec. 1, Hsin
Tai 5th Rd., Hsichih, Taipei Hsien (TW)

* cited by examiner

(**) Term: **14 Years**

Primary Examiner—Marcus A. Jackson
(74) *Attorney, Agent, or Firm*—Darby & Darby

(21) Appl. No.: **29/121,986**

(57) **CLAIM**

(22) Filed: **Apr. 17, 2000**

The ornamental design for front carriage fork, as shown and described.

(51) **LOC (7) Cl.** **12-12**

DESCRIPTION

(52) **U.S. Cl.** **D12/133**

FIG. 1 is a perspective view of front carriage fork showing my new design;

(58) **Field of Search** D12/128-133;
D8/375, 382; 16/18 R, 19, 20, 21, 22, 30,
31 A, 31 R, 37, 40; 280/250.1, 304.1

FIG. 2 is a front elevational view thereof;

FIG. 3 is a rear elevational view thereof;

FIG. 4 is a left side elevational view thereof;

FIG. 5 is a right side elevational view thereof;

FIG. 6 is a top plan view thereof; and,

FIG. 7 is a bottom plan view thereof.

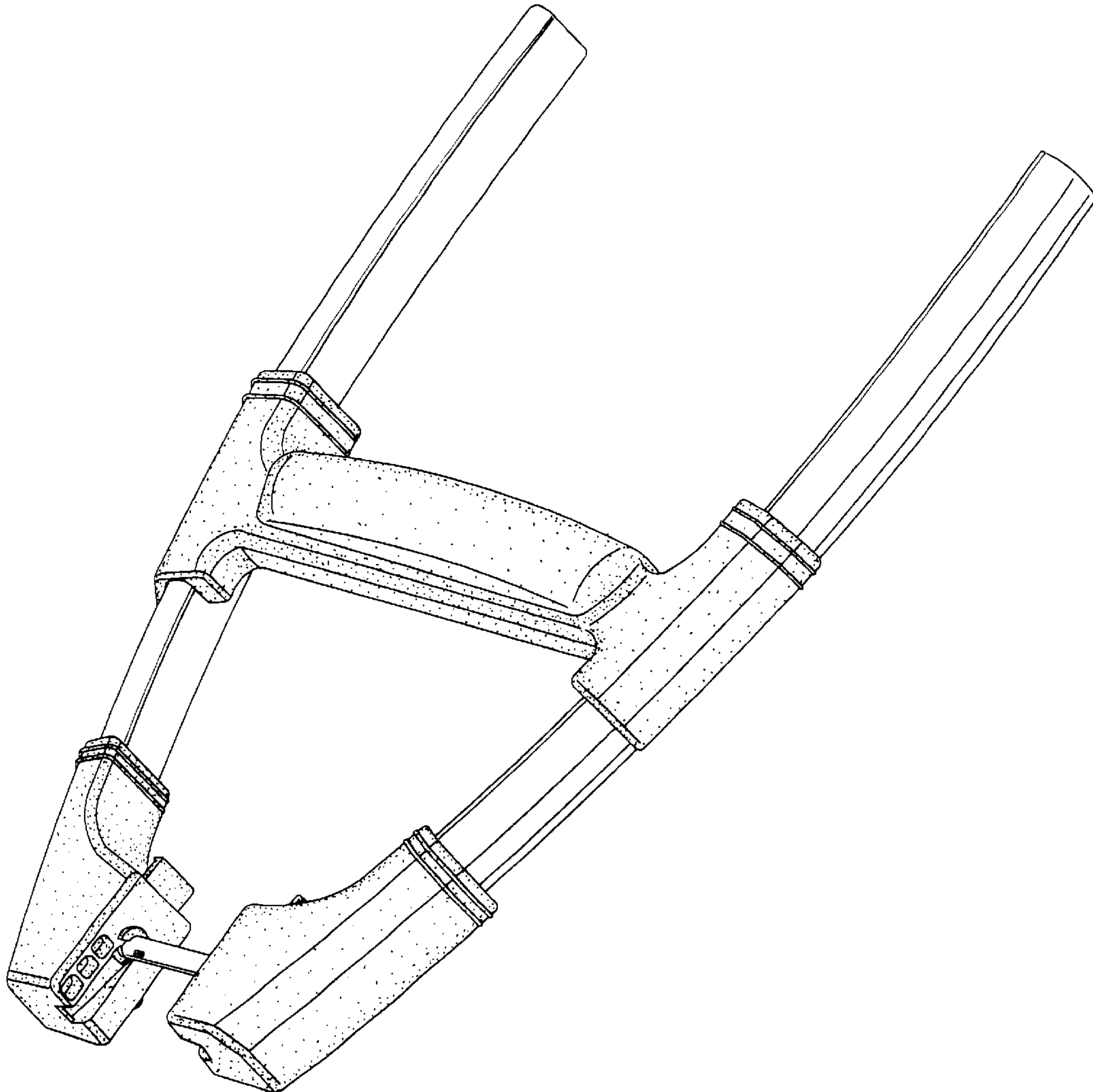
(56) **References Cited**

U.S. PATENT DOCUMENTS

D. 412,140 * 7/1999 Garver, Jr. D12/133

D. 412,141 * 7/1999 Dickie et al. D12/133

1 Claim, 4 Drawing Sheets



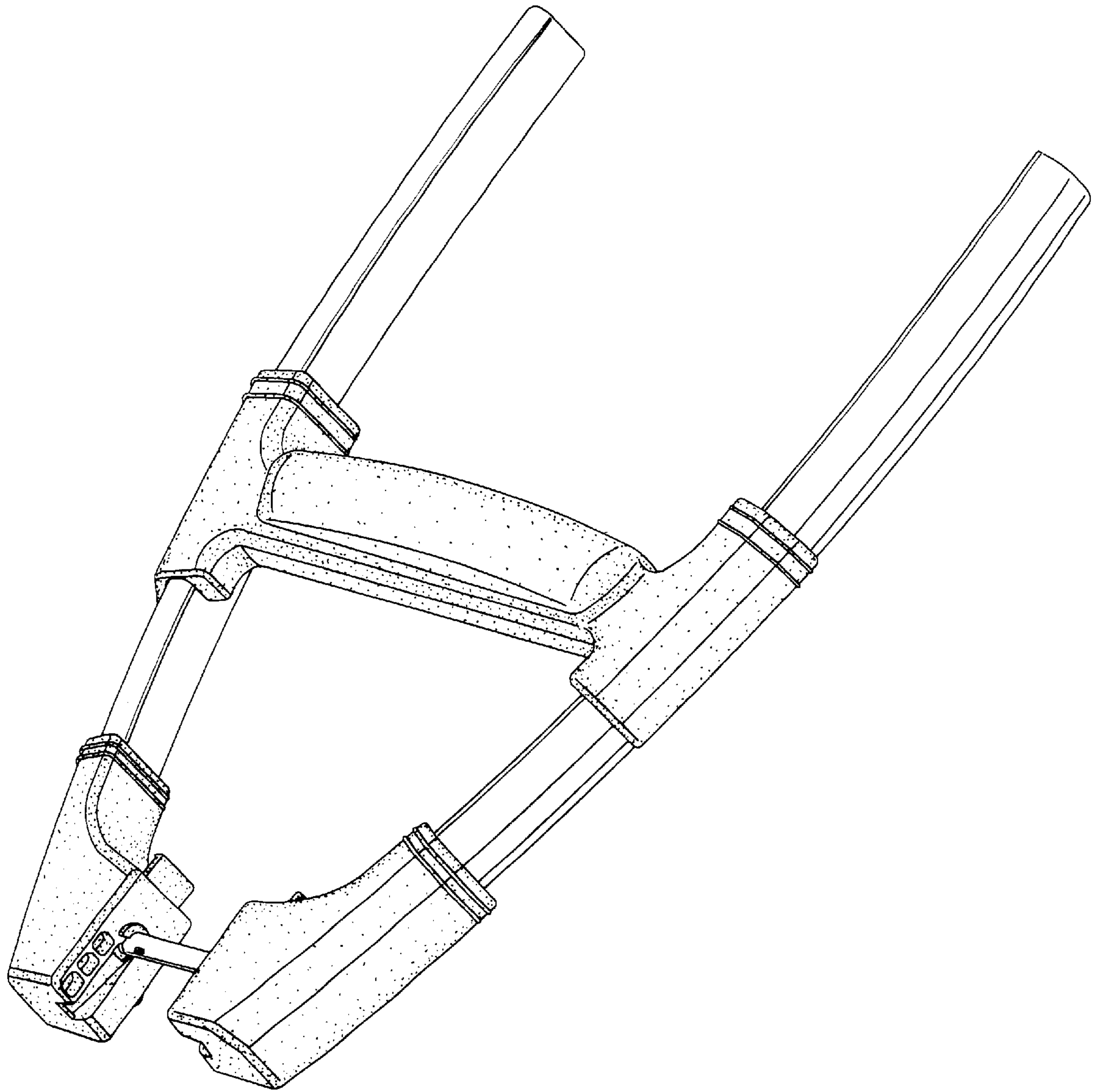


FIG. 1

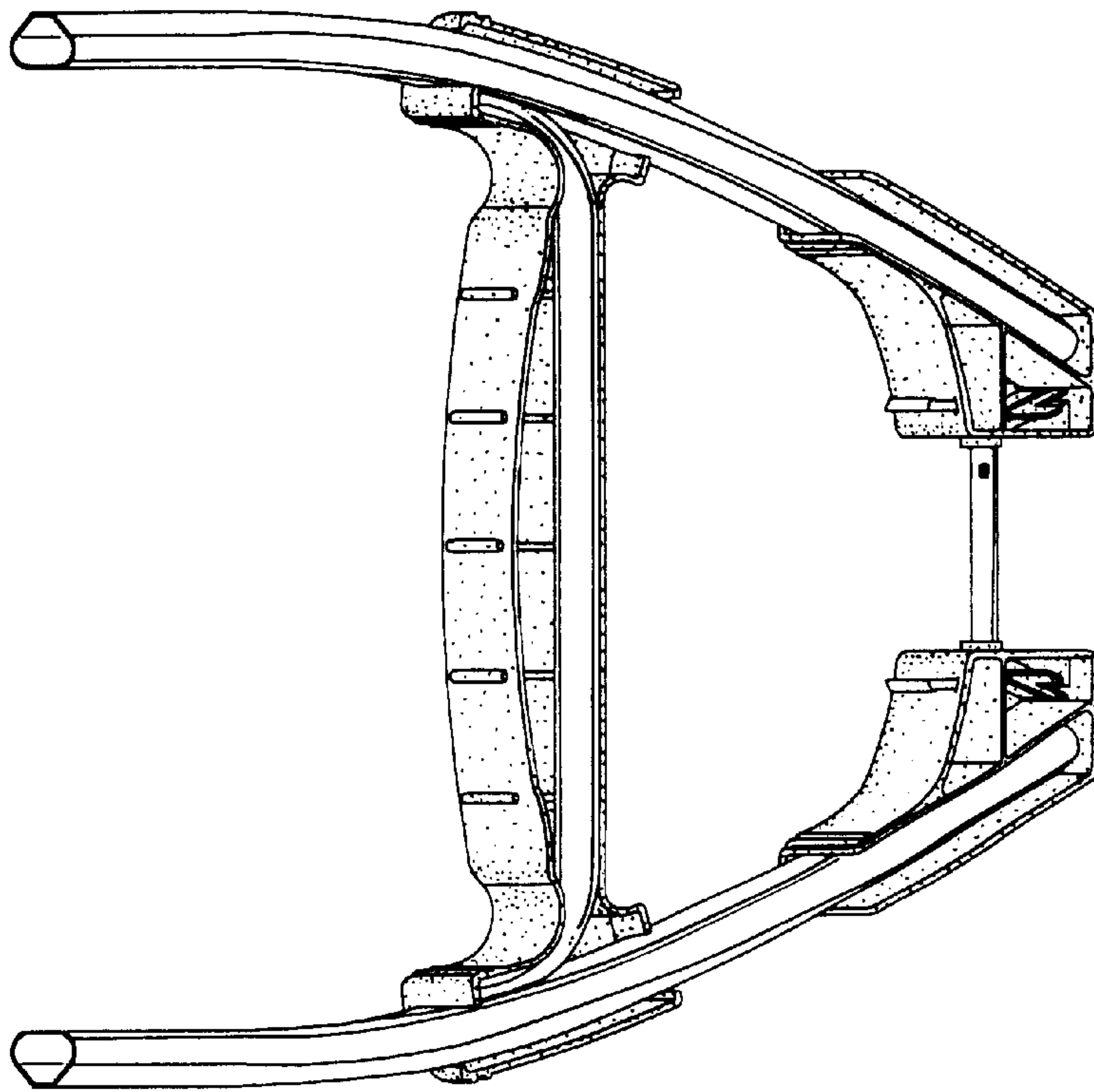


FIG. 3

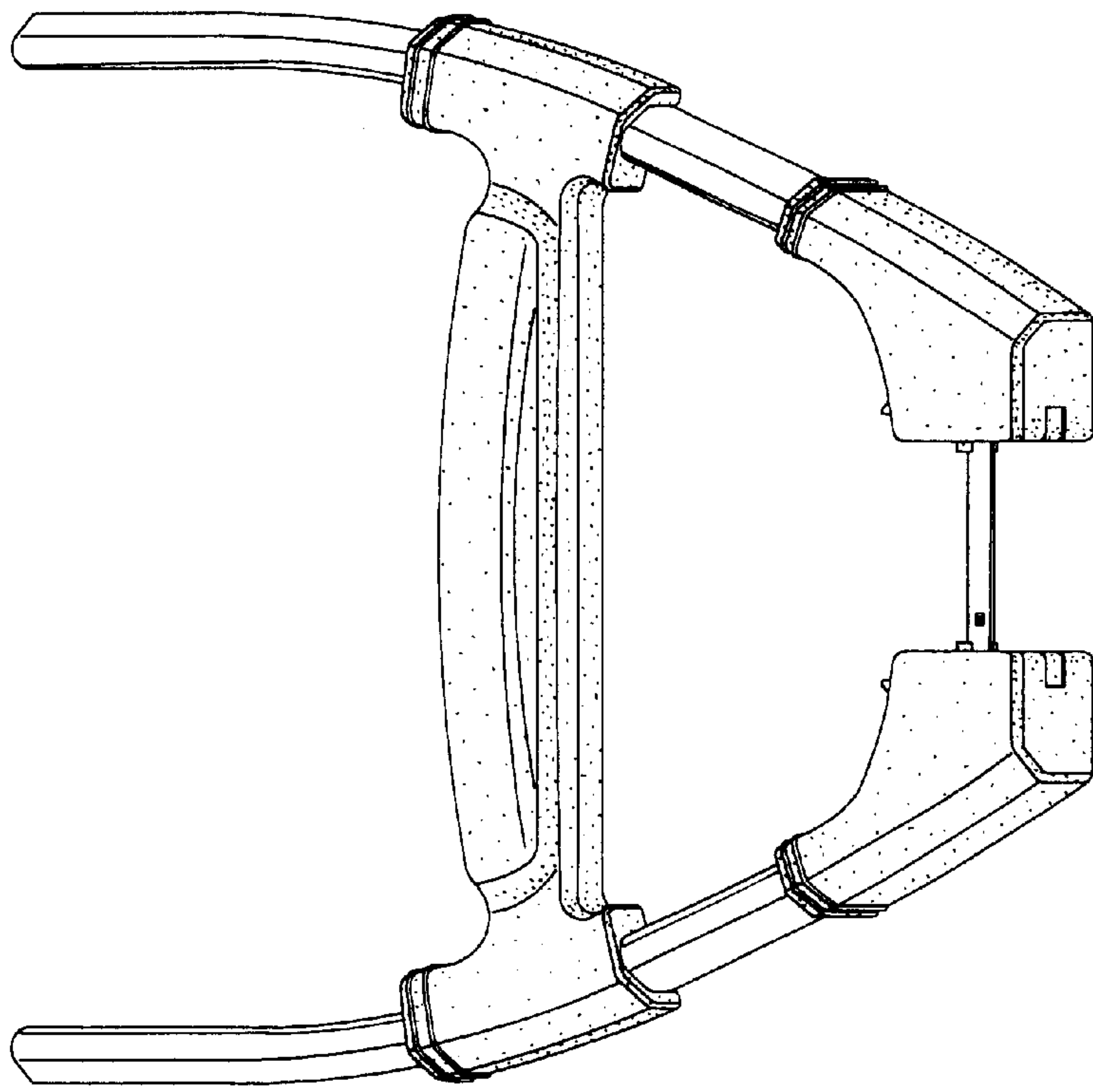


FIG. 2

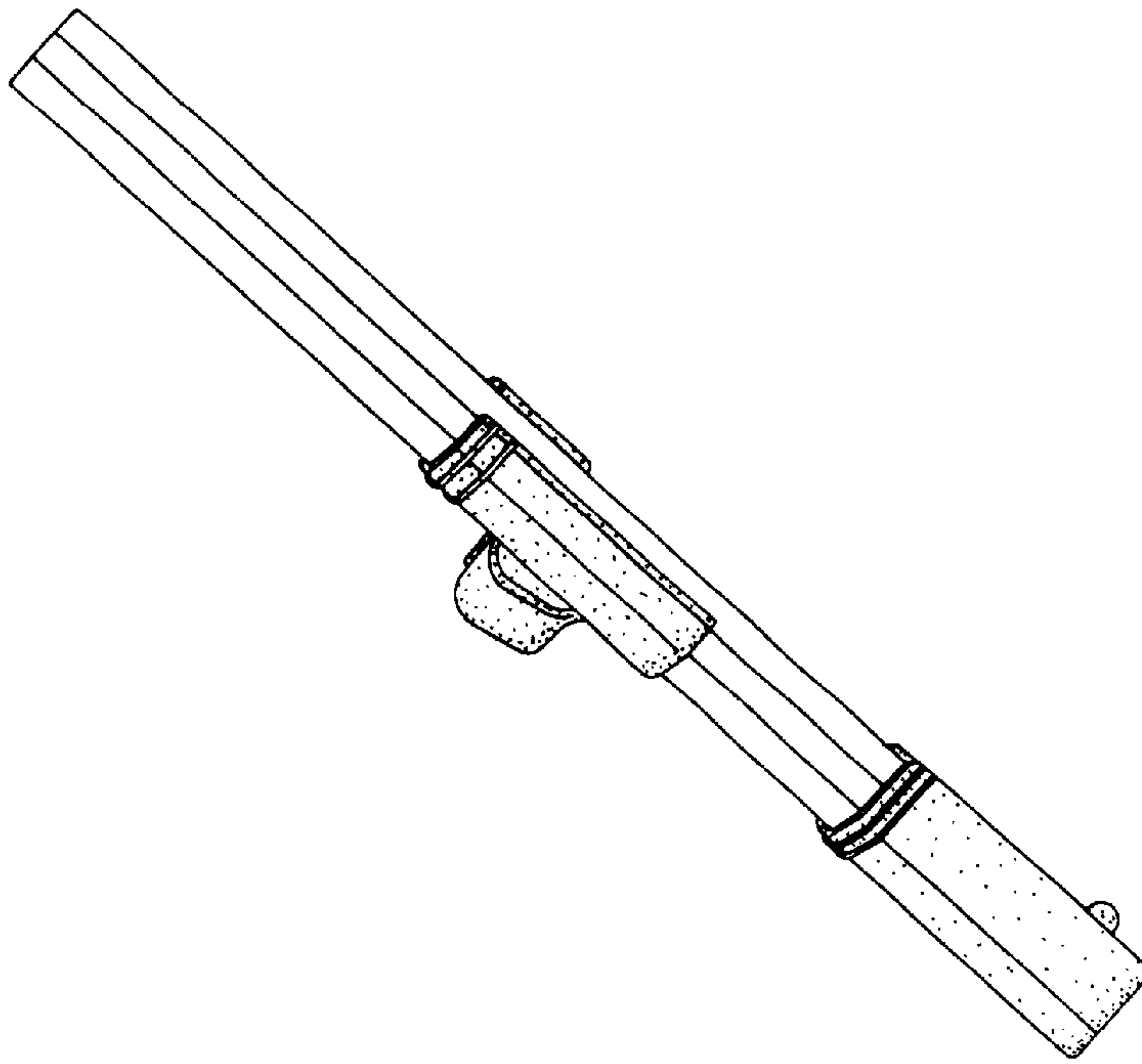


FIG. 5

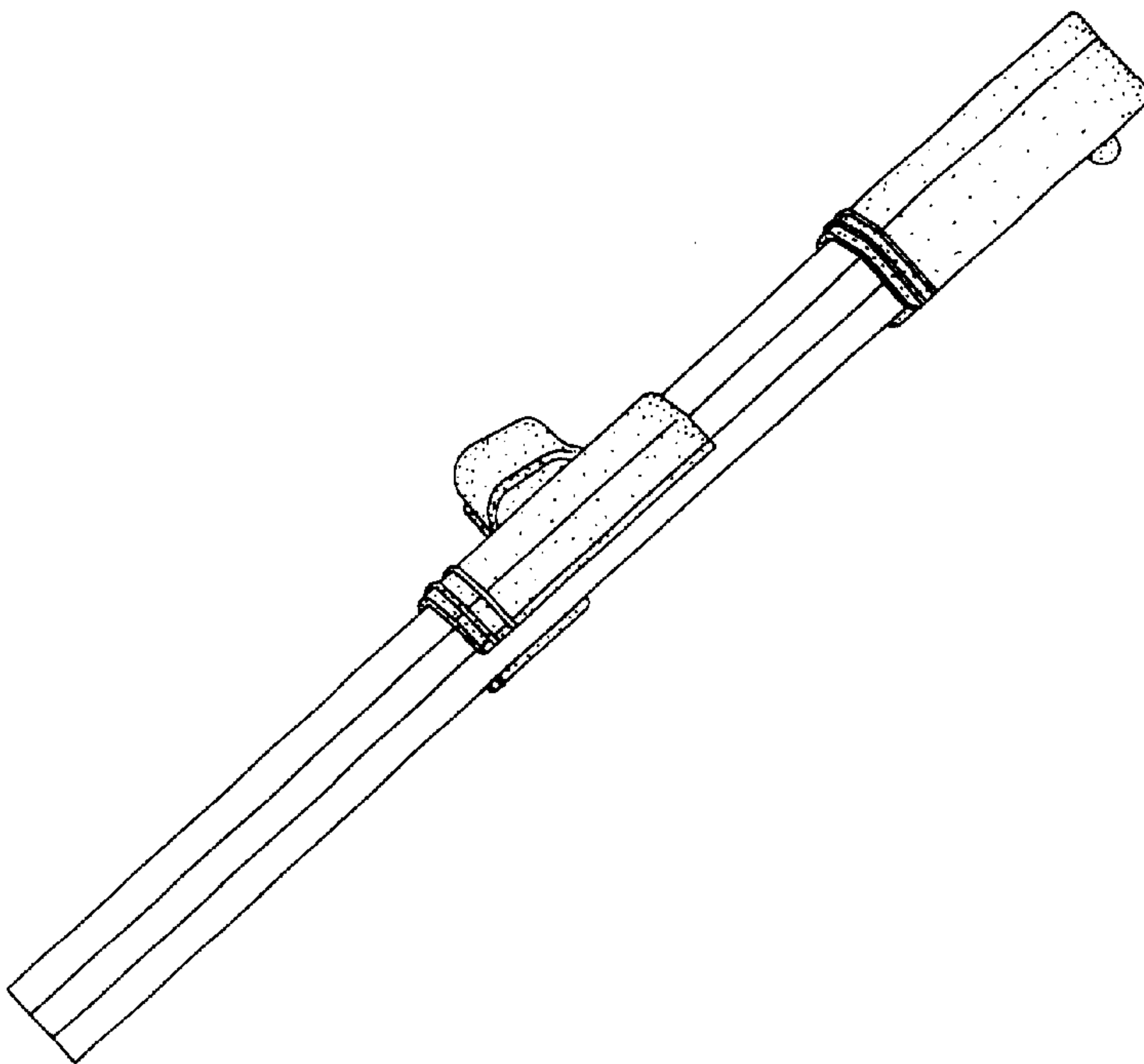


FIG. 4

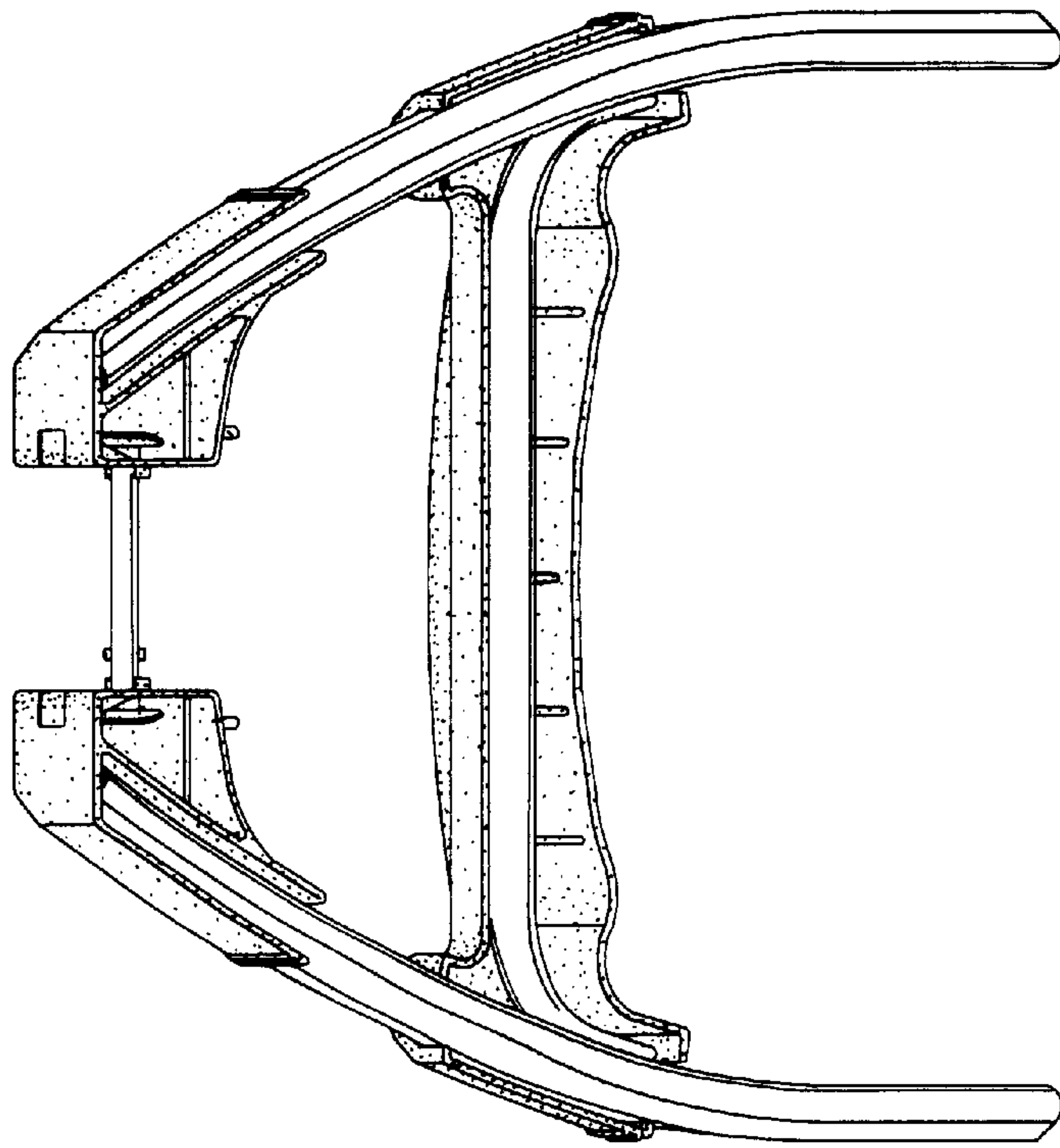


FIG. 7

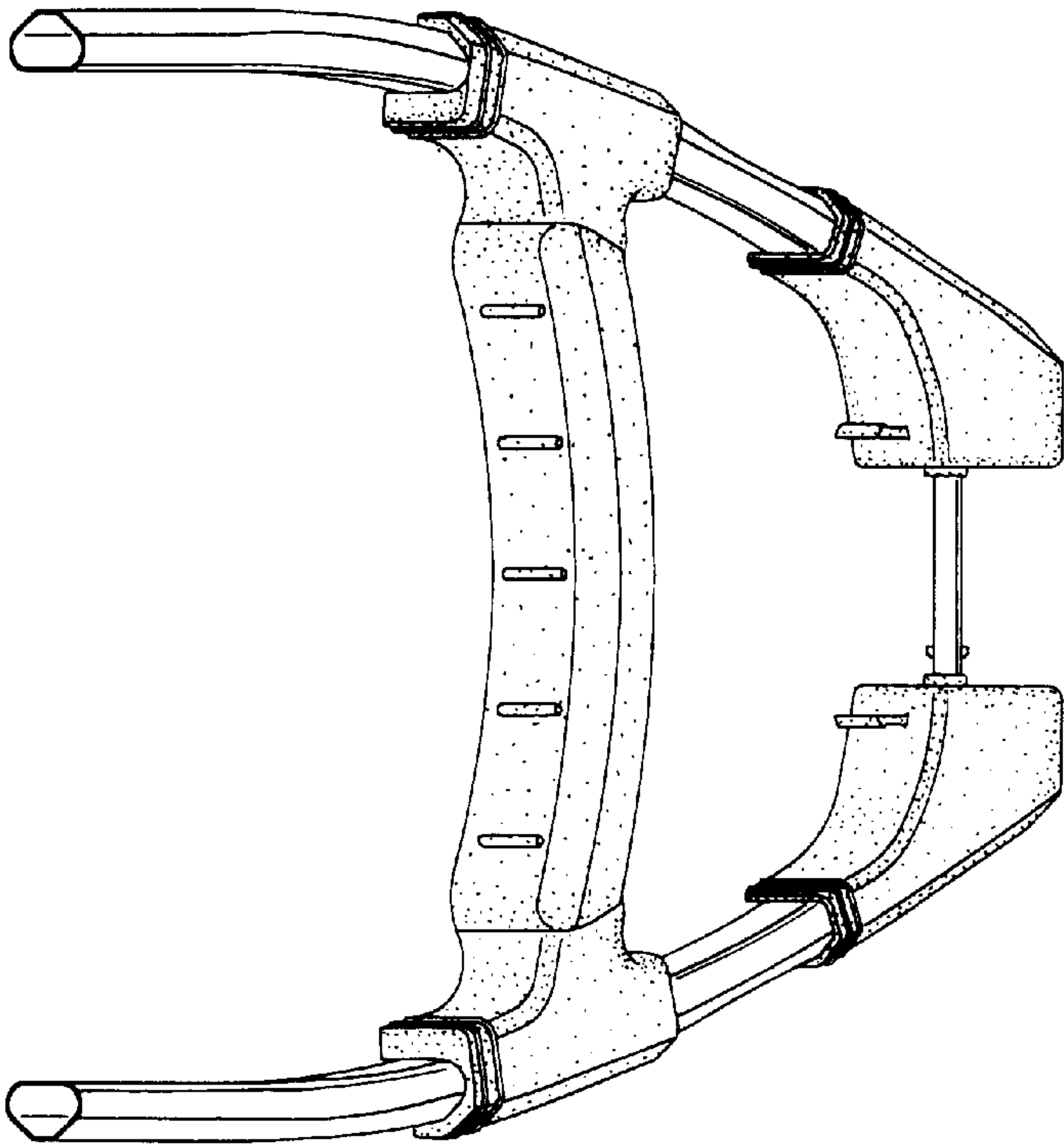


FIG. 6