



US00D451849B1

(12) **United States Design Patent** (10) **Patent No.:** **US D451,849 S**
Noshi (45) **Date of Patent:** **** Dec. 11, 2001**

(54) **WHEELCHAIR**

(75) Inventor: **Shinji Noshi, Yawata (JP)**

(73) Assignee: **Murata Machinery Ltd., Kyoto (JP)**

(**) Term: **14 Years**

(21) Appl. No.: **29/130,444**

(22) Filed: **Oct. 3, 2000**

(30) **Foreign Application Priority Data**

Apr. 17, 2000 (JP) 12-009985

(51) **LOC (7) Cl.** **12-12**

(52) **U.S. Cl.** **D12/131**

(58) **Field of Search** **D12/128-133;**
297/231, 428, 429, 438, 444; 280/250.1,
304.1

(56) **References Cited**

U.S. PATENT DOCUMENTS

5,320,416 * 6/1994 Kornberg D12/131
5,378,041 * 1/1995 Lee D12/131

OTHER PUBLICATIONS

U.S. application No. 29/130,443; Filed: Oct. 3, 2000; Inven-
tor: Shinji Noshi.

* cited by examiner

Primary Examiner—Marcus A. Jackson
(74) *Attorney, Agent, or Firm*—Sterne, Kessler, Goldstein
& Fox P.L.L.C.

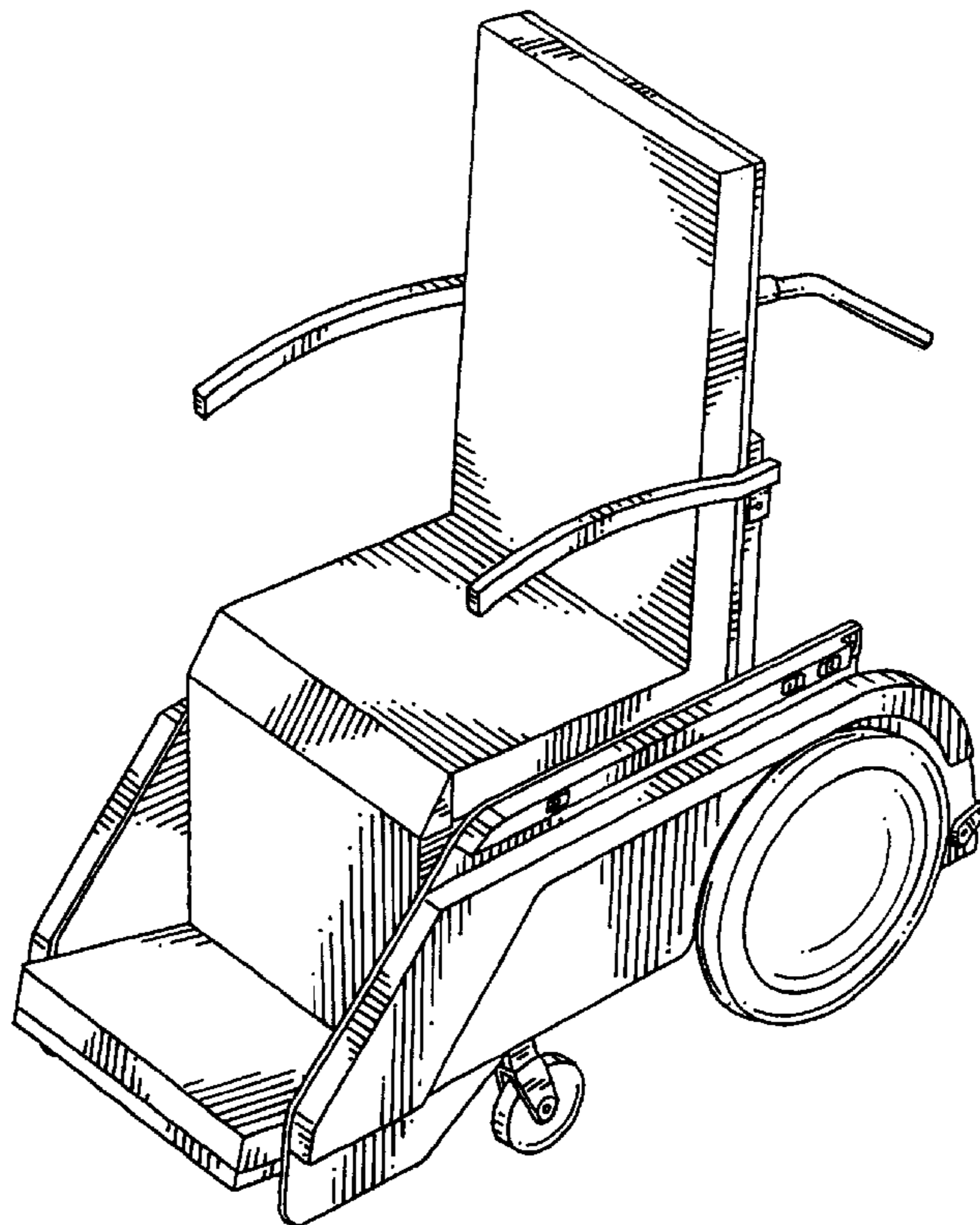
(57) **CLAIM**

The ornamental design for a wheelchair, as shown and
described.

DESCRIPTION

FIG. 1 is a perspective view of a wheelchair with the chair
back in an up-right position showing my new design;
FIG. 2 is a front elevational view thereof;
FIG. 3 is a rear elevational view thereof;
FIG. 4 is a top plan view thereof;
FIG. 5 is a bottom plan view thereof;
FIG. 6 is a right side elevational view thereof, the left side
being a mirror image thereof;
FIG. 7 is a right side elevational view, the left side being a
mirror image thereof, of a wheelchair with the chair back in
a horizontal position showing an alternate embodiment of
my new design;
FIG. 8 is a front elevational view thereof;
FIG. 9 is a rear elevational view thereof;
FIG. 10 is a top plan view thereof; and,
FIG. 11 is a bottom plan view thereof.

1 Claim, 7 Drawing Sheets



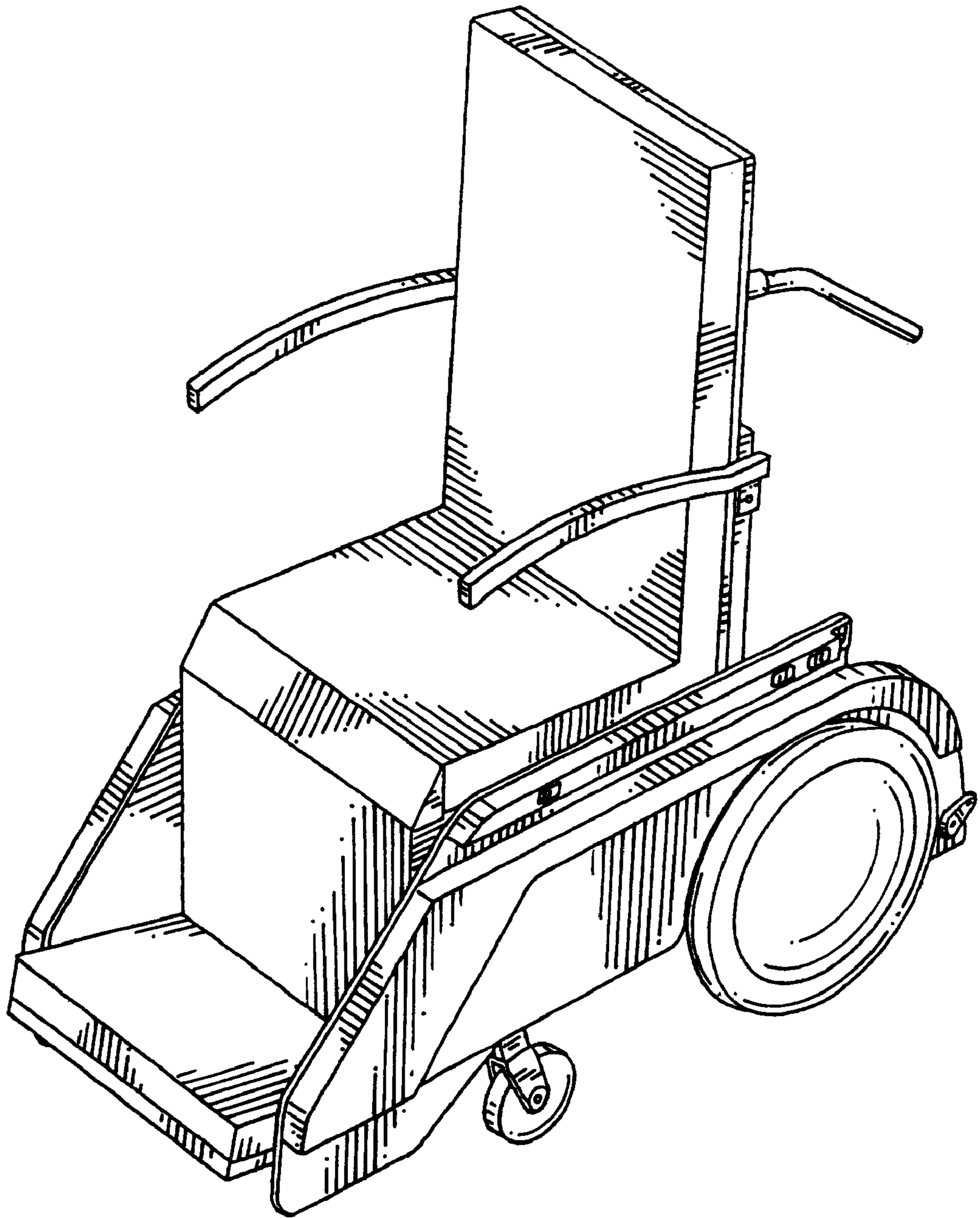


FIG. 1

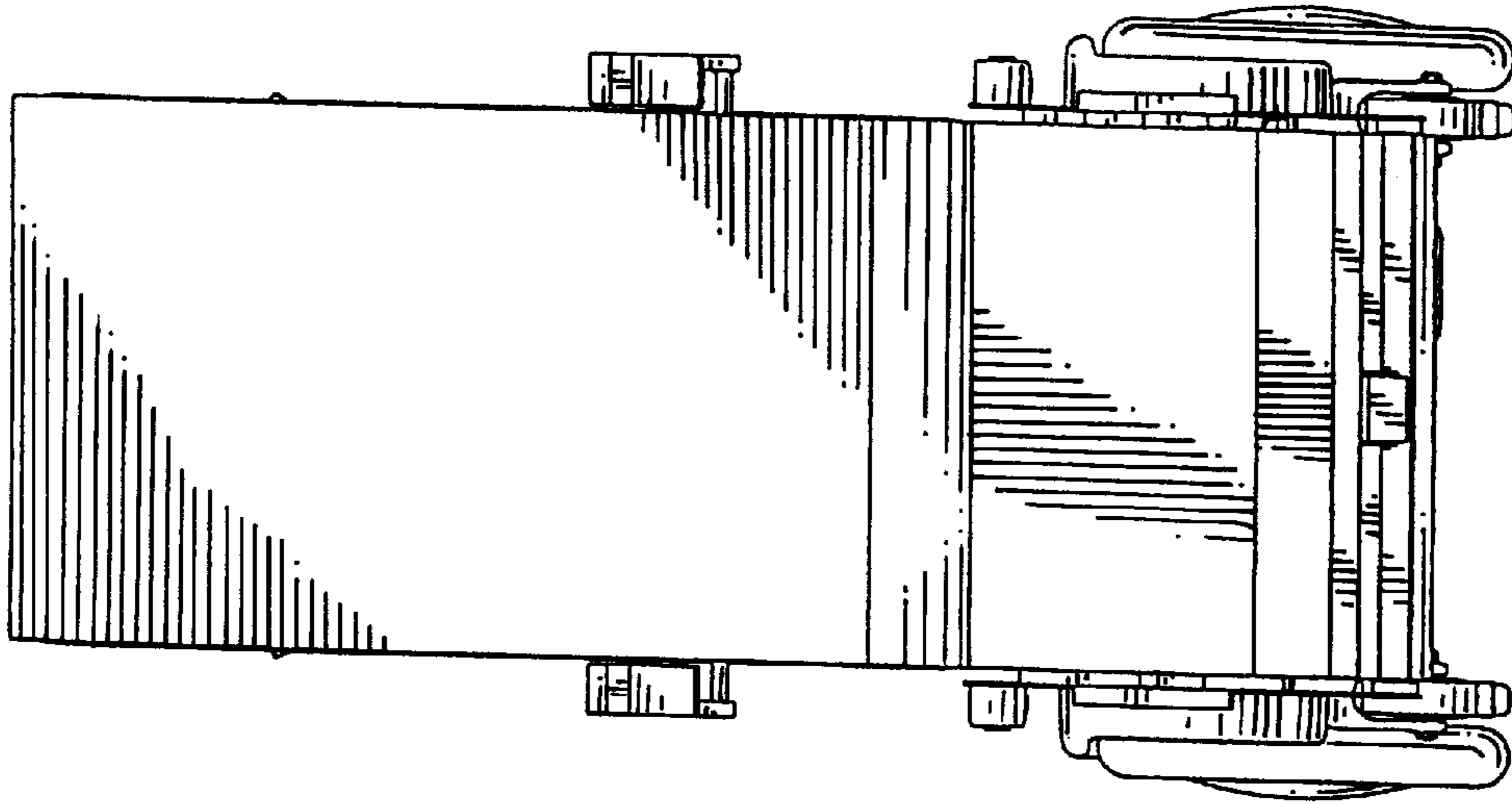


FIG. 2

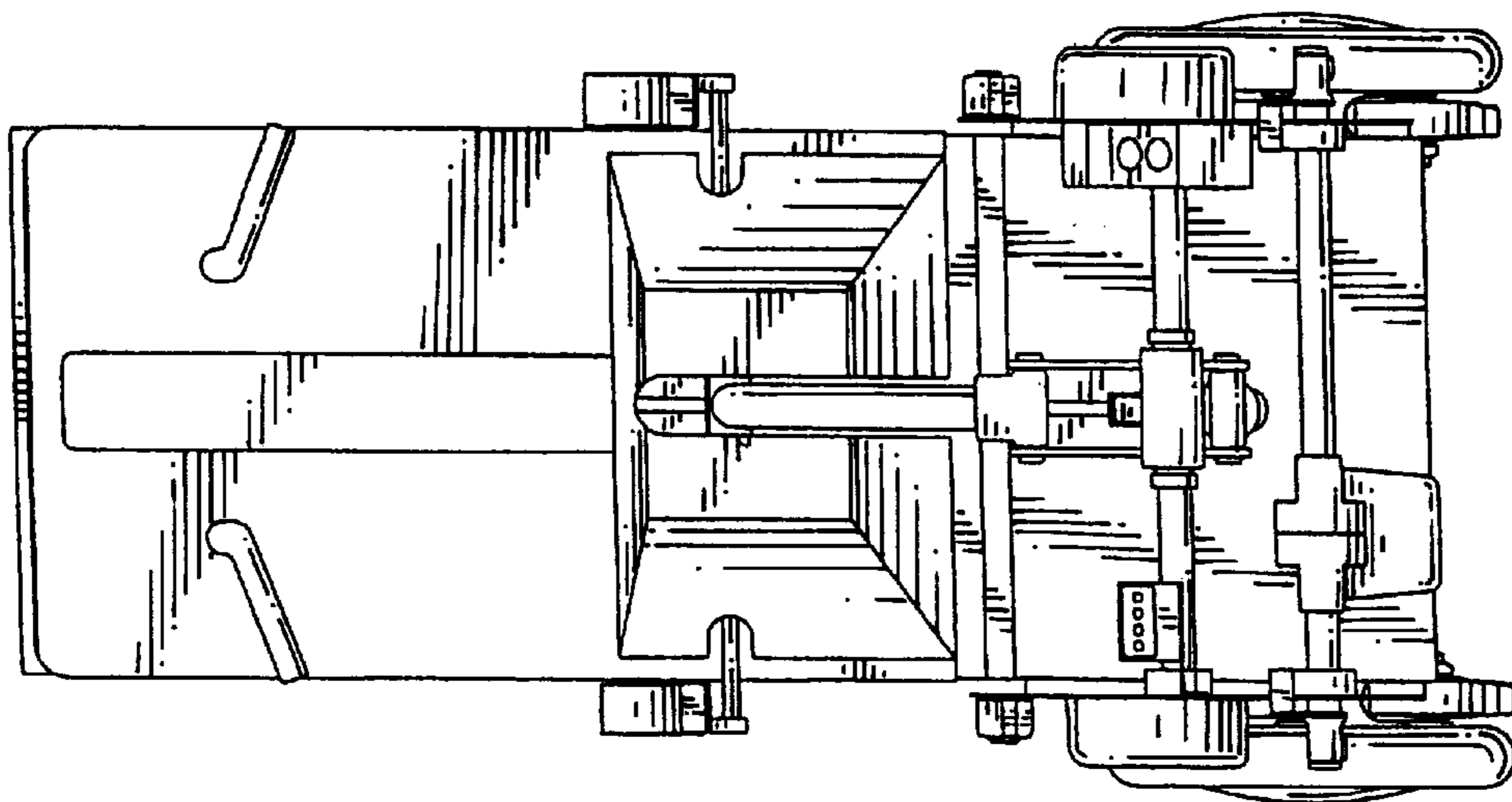


FIG. 3

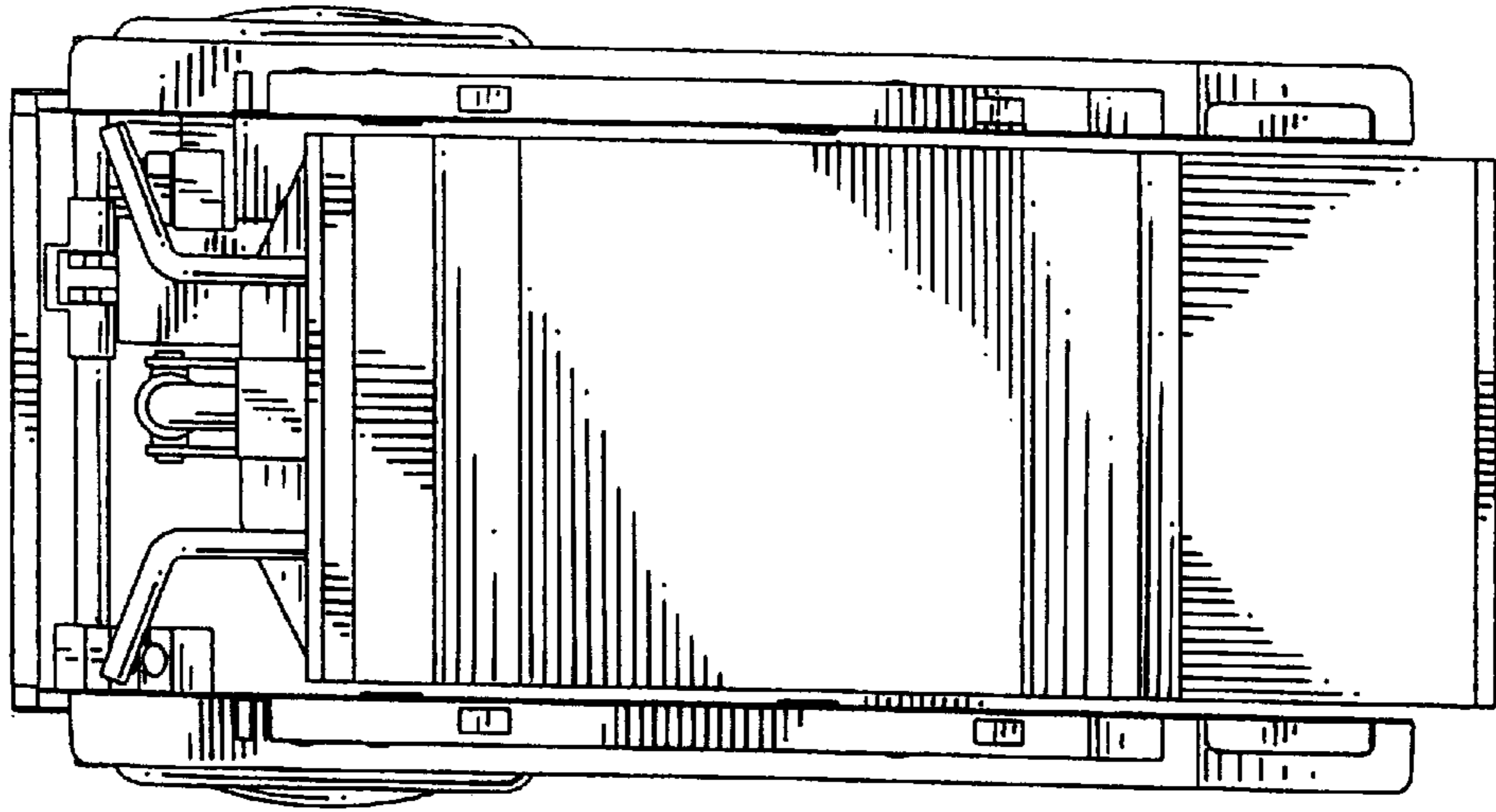


FIG. 4

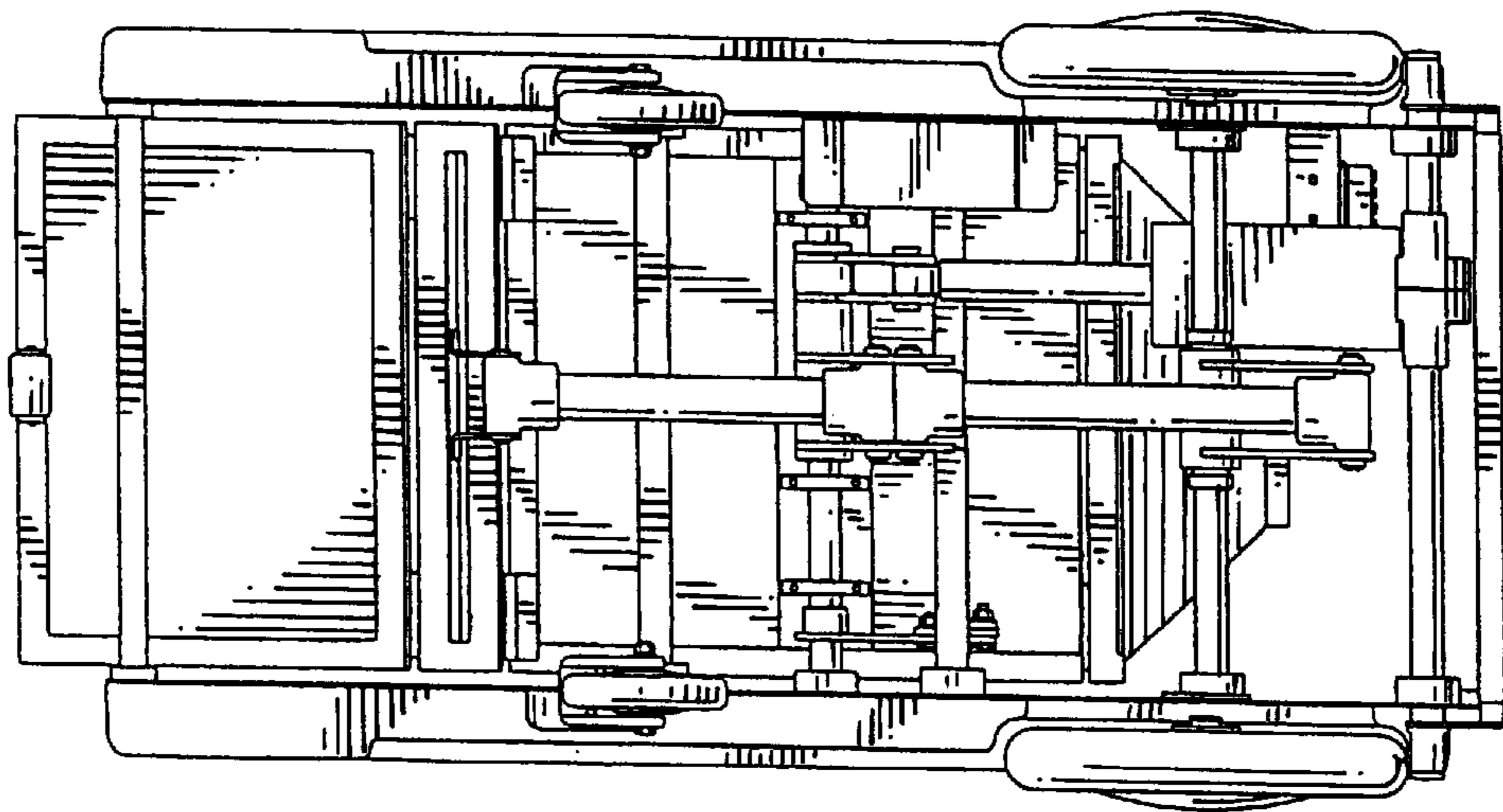


FIG. 5

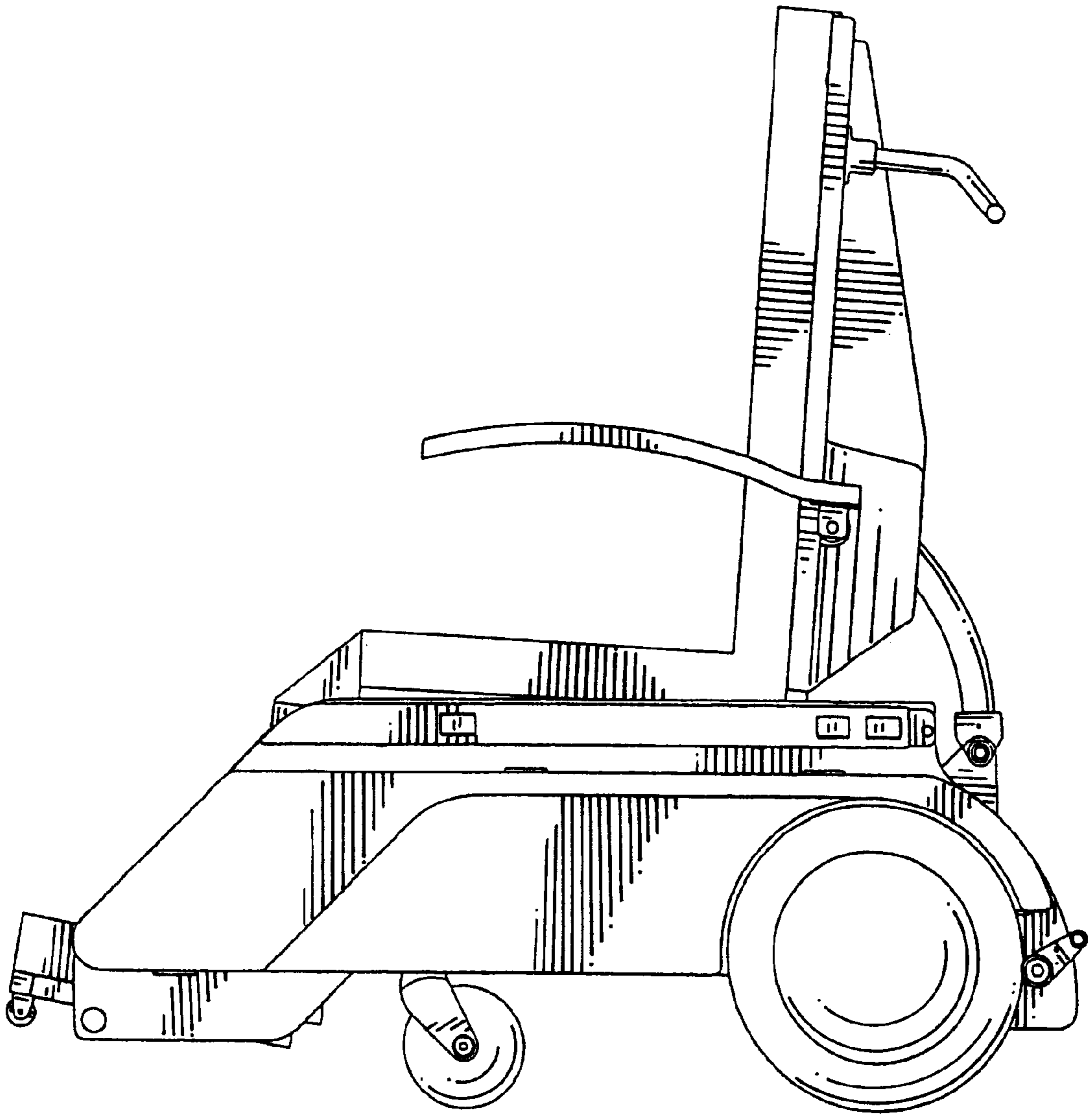


FIG. 6

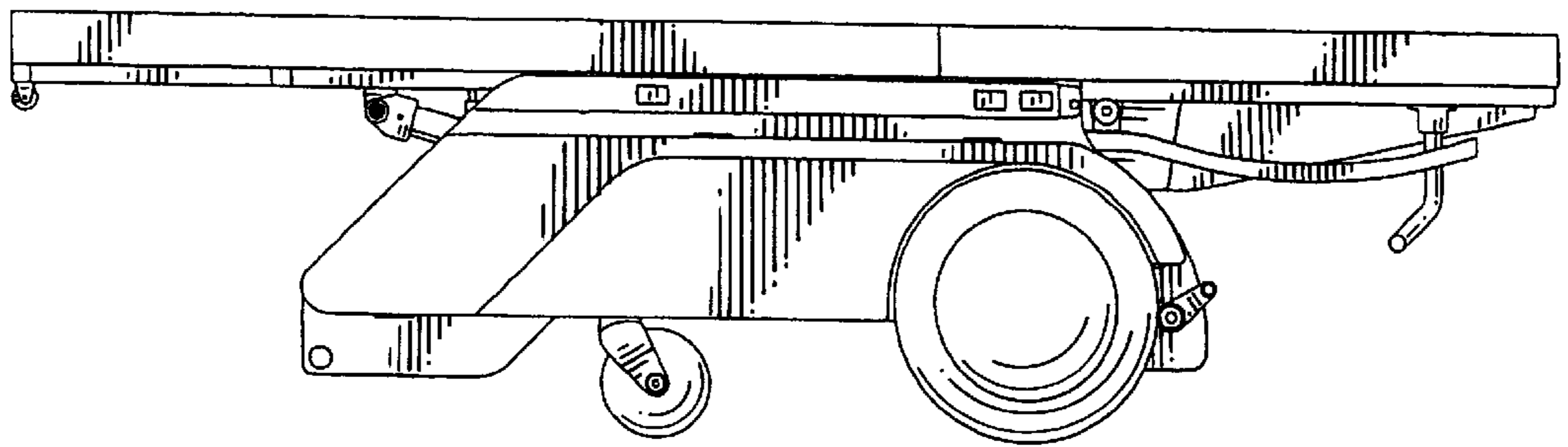


FIG. 7

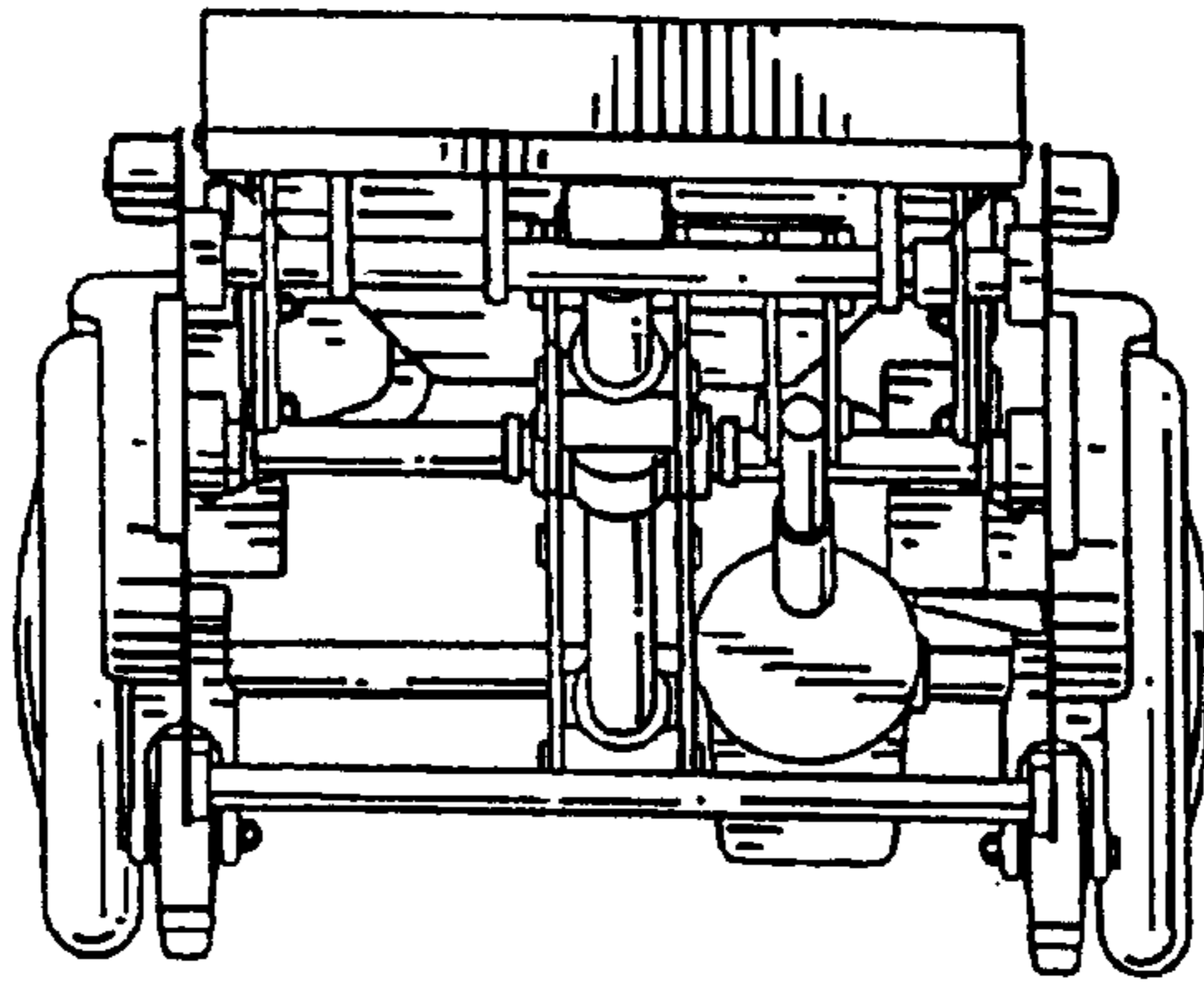


FIG. 8

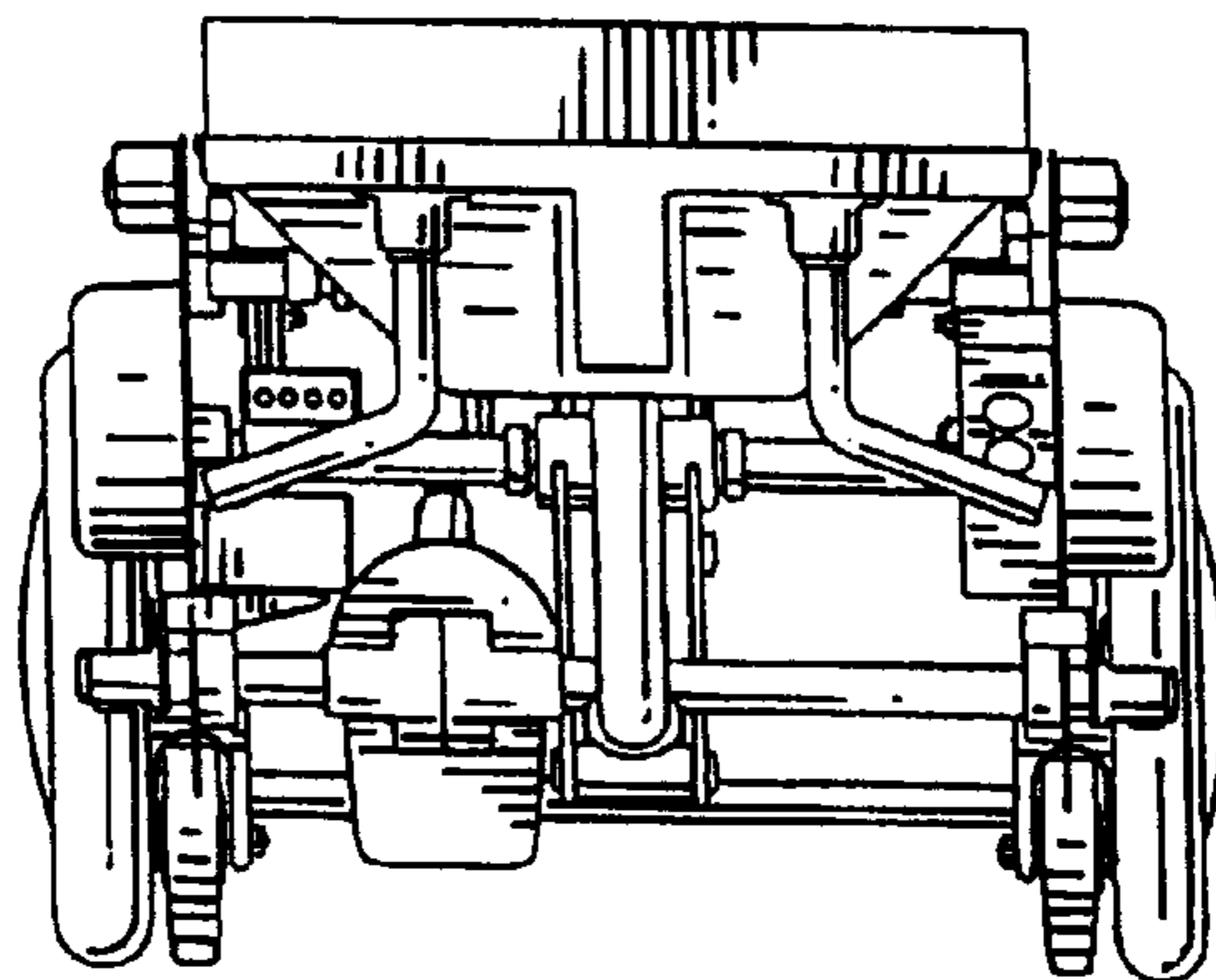


FIG. 9

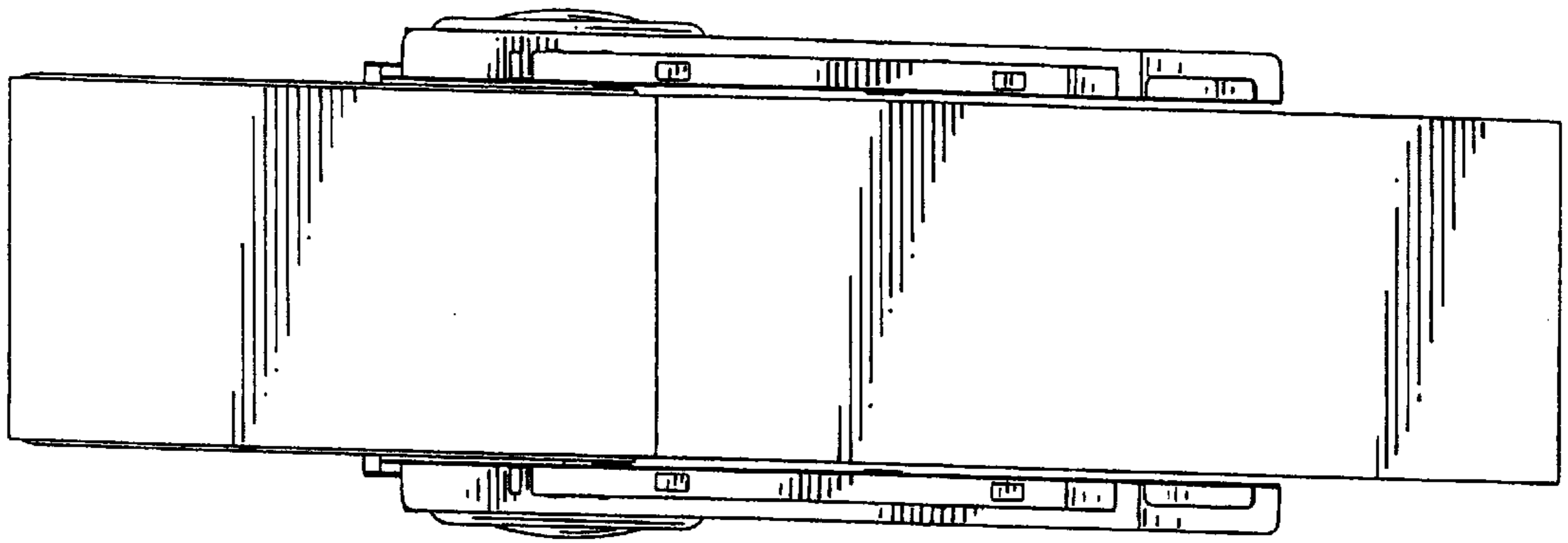


FIG. 10

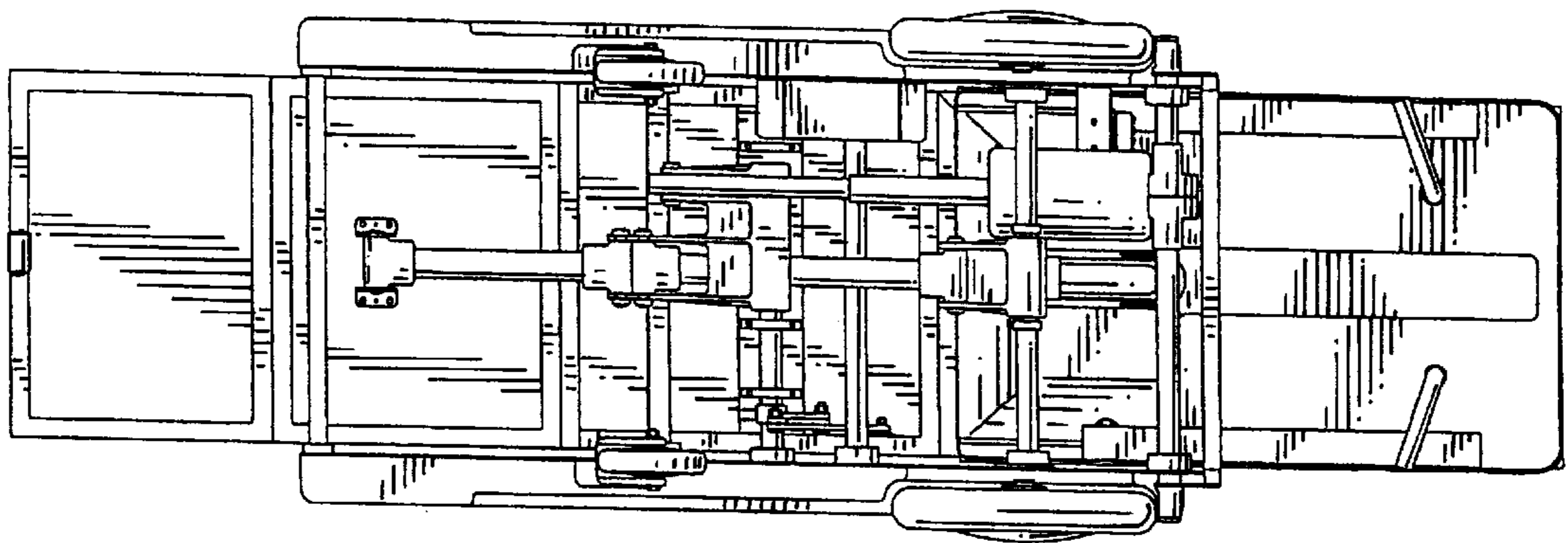


FIG. 11