



US00D451845B1

(12) **United States Design Patent**
Hull

(10) **Patent No.:** **US D451,845 S**

(45) **Date of Patent:** **** Dec. 11, 2001**

(54) **AUTOMOBILE BODY**

Primary Examiner—Melody N. Brown

(75) Inventor: **Jon Hull**, Huntington Beach, CA (US)

(57) **CLAIM**

(73) Assignee: **Mitsubishi Jidosha Kogyo Kabushiki Kaisha**, Tokyo (JP)

The ornamental design for an automobile body, as shown and described.

(**) Term: **14 Years**

DESCRIPTION

(21) Appl. No.: **29/135,397**

(22) Filed: **Jan. 12, 2001**

(51) **LOC (7) Cl.** **12-08**

(52) **U.S. Cl.** **D12/92**

(58) **Field of Search** D12/90-92; 296/185

FIG. 1 is a front right perspective view of an automobile body constructed according to my novel design;
FIG. 2 is a right side view thereof;
FIG. 3 is a rear right elevational perspective view thereof;
FIG. 4 is a front view thereof;
FIG. 5 is a rear view thereof; and,
FIG. 6 is a top plan view thereof.

(56) **References Cited**

U.S. PATENT DOCUMENTS

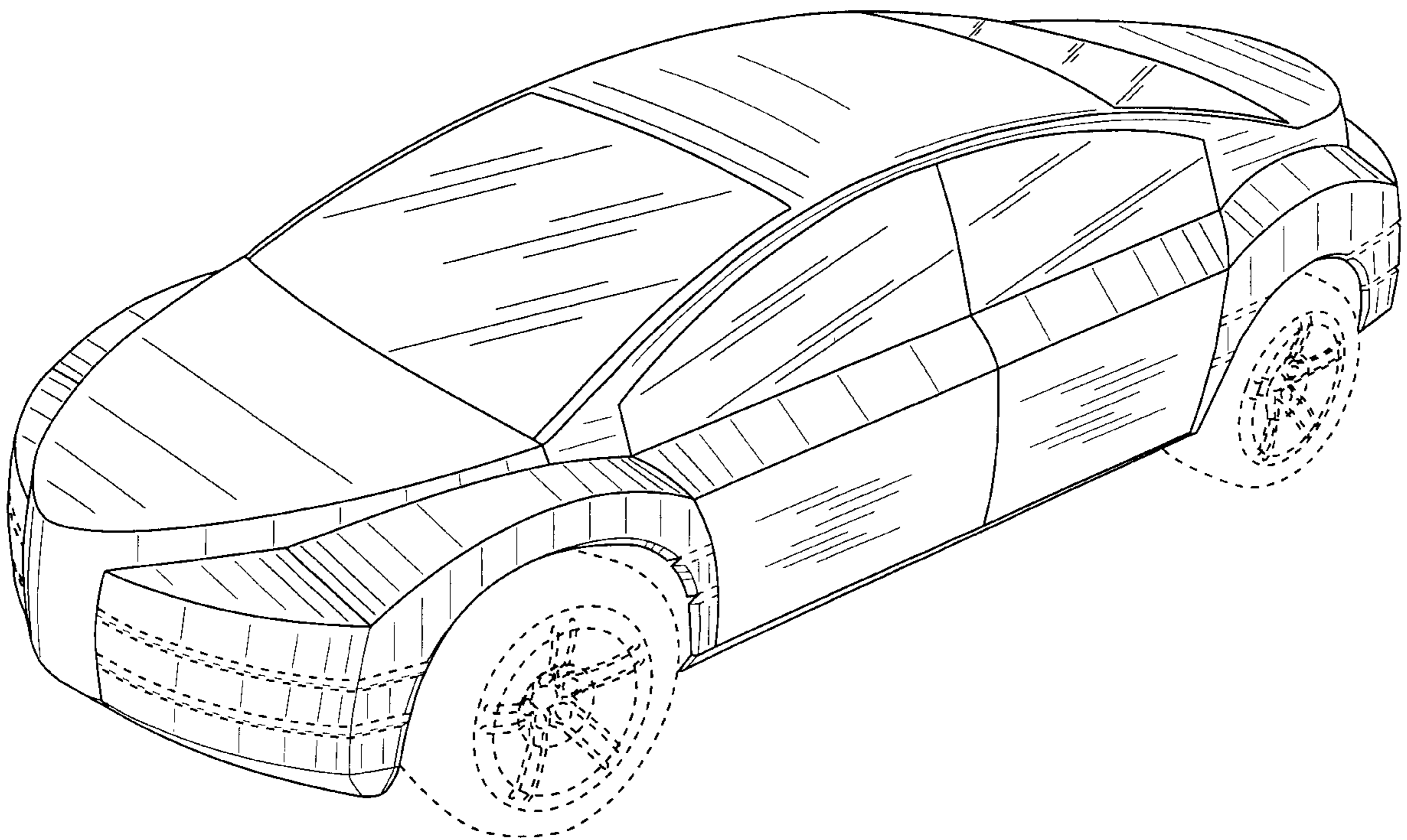
- D. 397,961 * 9/1998 Mays et al. D12/91
- D. 419,486 * 1/2000 Crain et al. D12/91
- D. 425,449 * 5/2000 Sims et al. D12/92
- D. 440,185 * 4/2001 Desmond et al. D12/91

The broken lines showing of environmental structure in FIGS. 1-5 of the drawings are for illustrative purposes only and form no part of the claimed design.

A left side view has been omitted because this view is identical to the left view shown in FIG. 2.

* cited by examiner

1 Claim, 5 Drawing Sheets



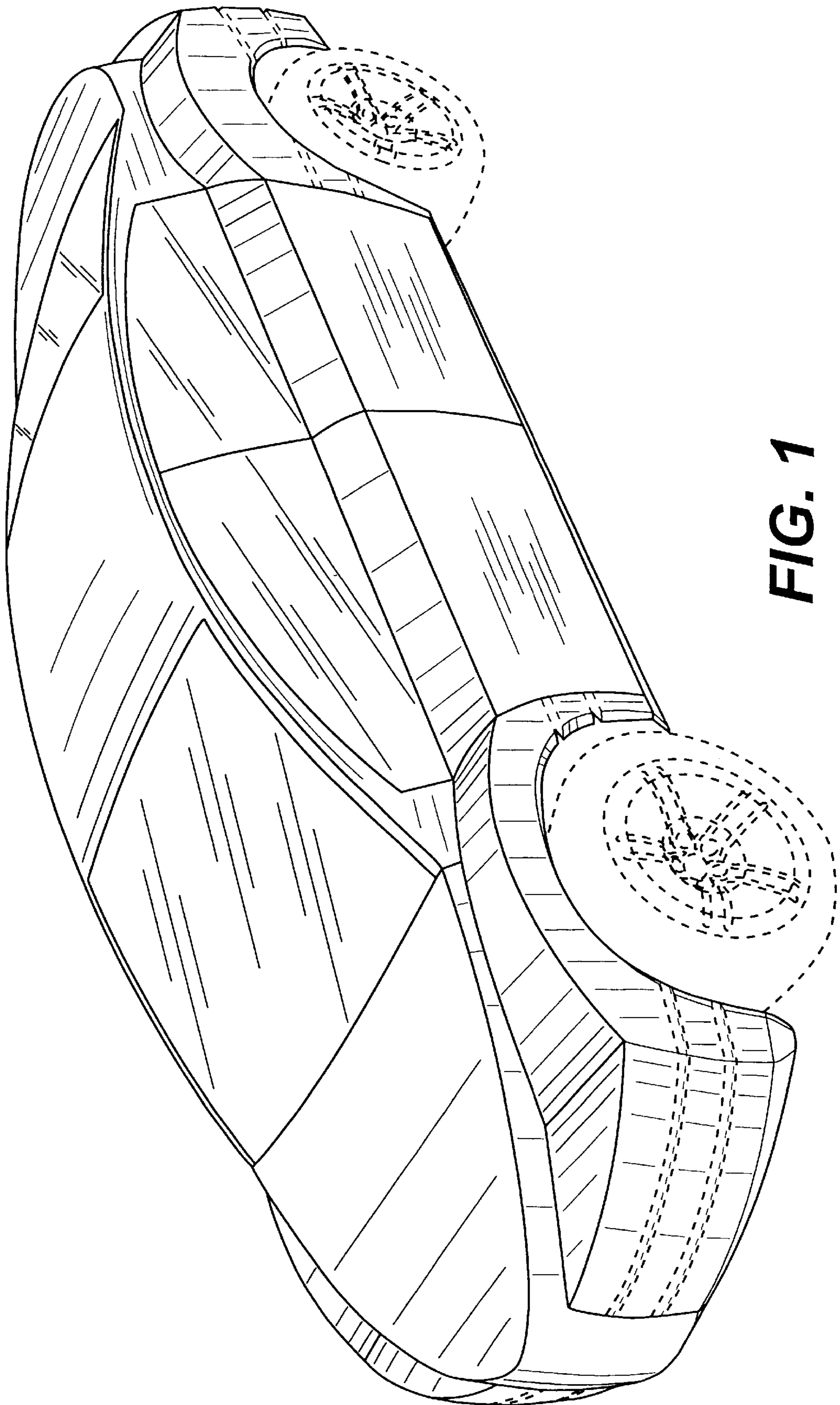


FIG. 1

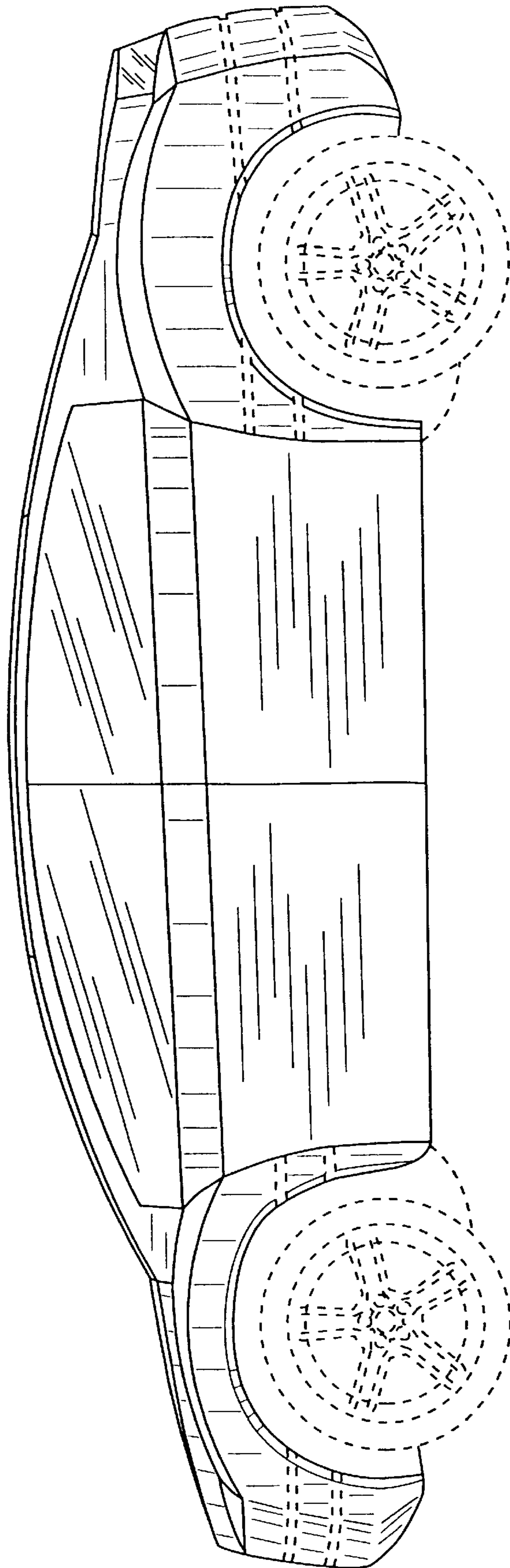


FIG. 2

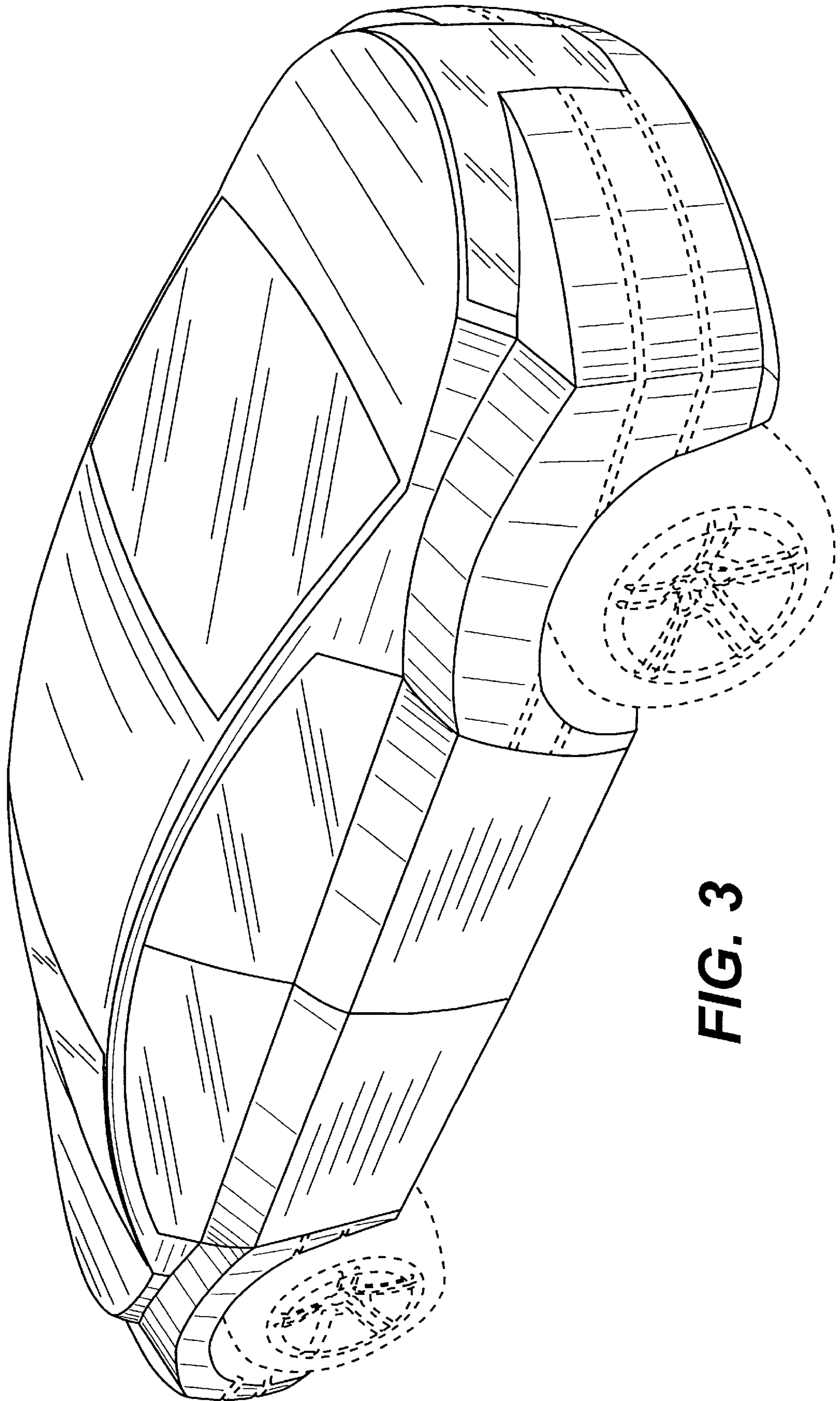


FIG. 3

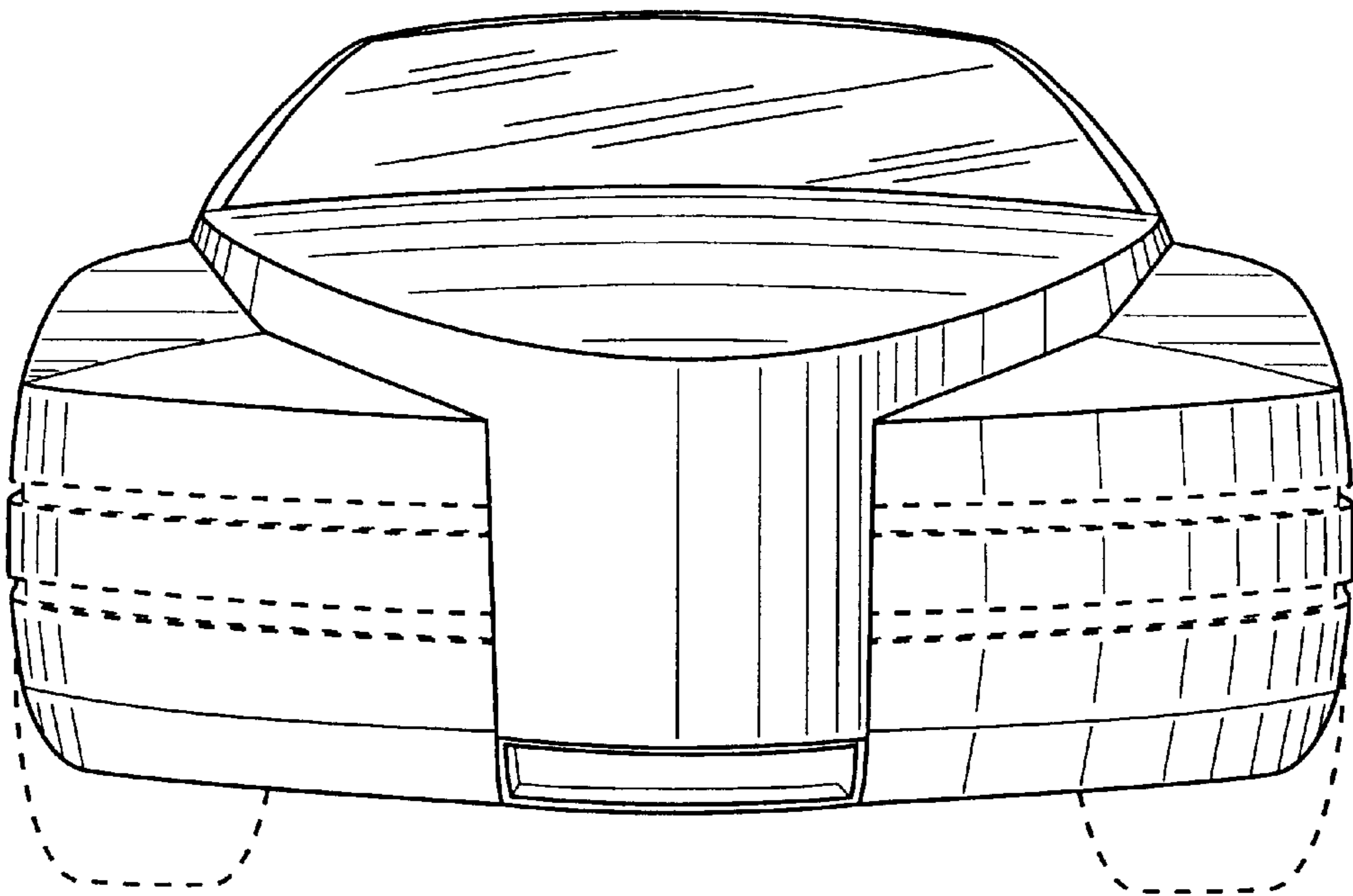


FIG. 4

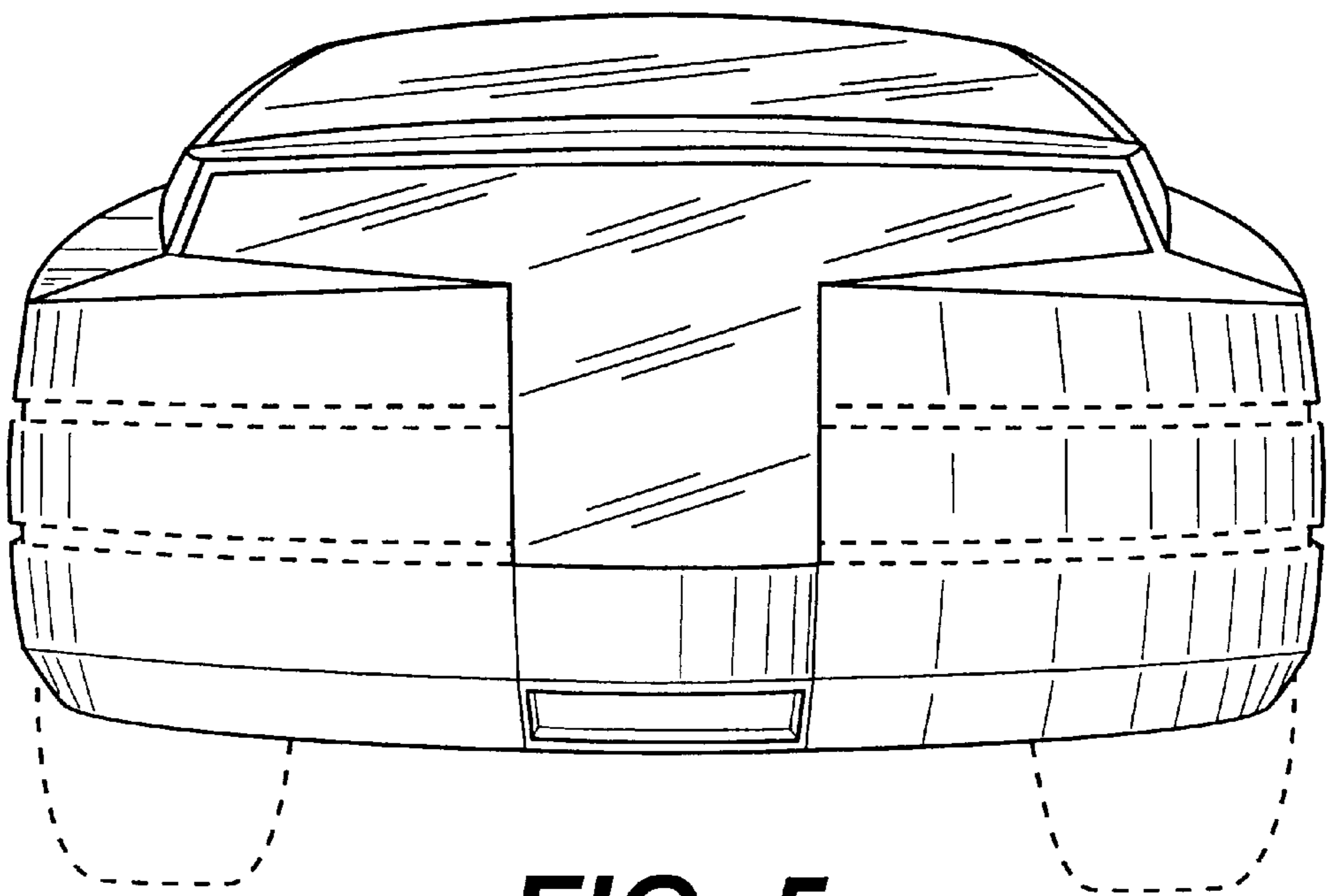


FIG. 5

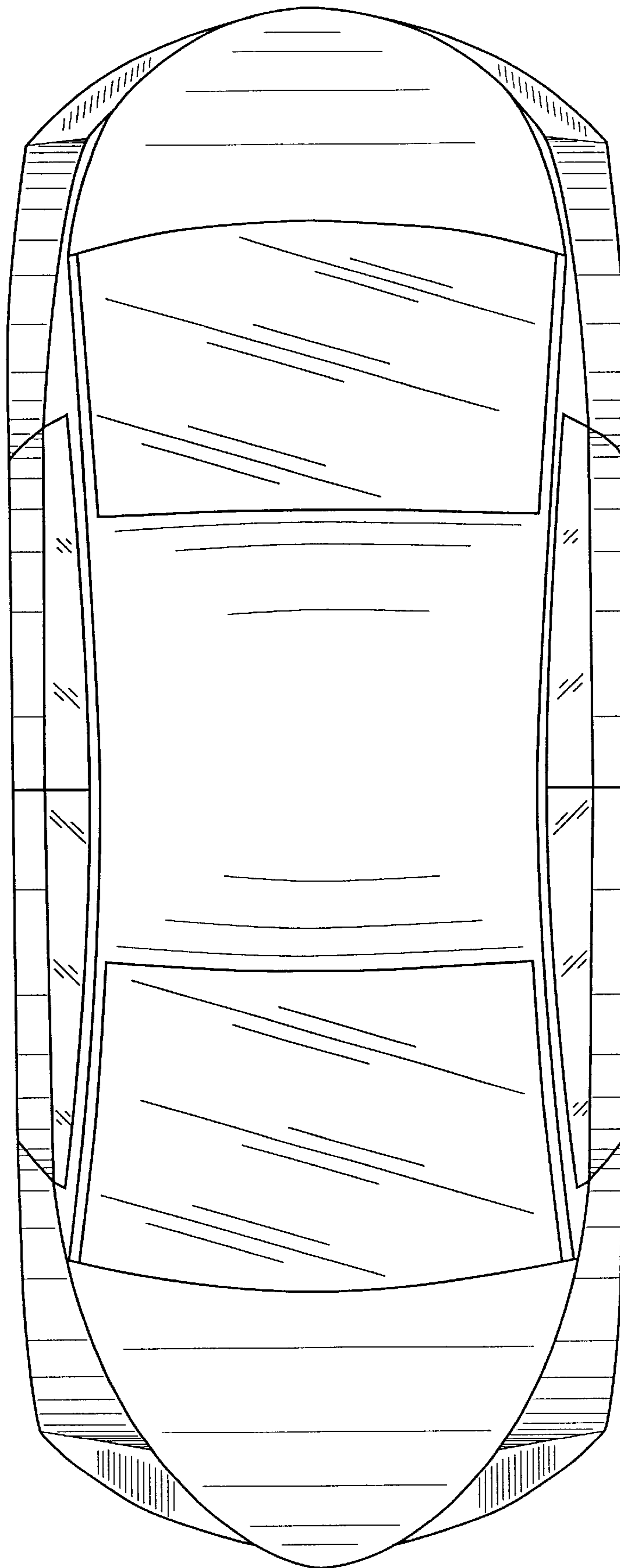


FIG. 6