



US00D451839B1

(12) **United States Design Patent**
Pomeroy et al.

(10) **Patent No.: US D451,839 S**

(45) **Date of Patent: ** Dec. 11, 2001**

(54) **CHRISTMAS TREE STAND**

(75) Inventors: **Charles Pomeroy; John T. Bycraft,**
both of South Bend, IN (US)

(73) Assignee: **Jack-Post Corporation,** Buchanan, MI
(US)

(**) Term: **14 Years**

(21) Appl. No.: **29/144,761**

(22) Filed: **Jul. 10, 2001**

(51) **LOC (7) Cl. 11-05**

(52) **U.S. Cl. D11/130.1**

(58) **Field of Search D11/130.1; 47/40.5**

(56) **References Cited**

U.S. PATENT DOCUMENTS

- D. 242,647 12/1976 Van Horn .
- D. 247,014 1/1978 Chulick .
- D. 258,780 4/1981 Wasserman .
- D. 264,281 5/1982 Okruszynski .
- D. 264,282 5/1982 Blavat .
- D. 268,460 4/1983 Ives .
- D. 269,392 6/1983 Breen .
- D. 269,571 7/1983 Geshwind .
- D. 270,474 9/1983 Haines et al. .
- D. 270,951 10/1983 Cryar .
- D. 278,891 5/1985 Levin .
- D. 279,887 7/1985 Sumpter .
- D. 287,476 12/1986 Craft et al. .
- D. 290,099 6/1987 Anderson .
- D. 297,520 9/1988 Thomas .
- D. 299,217 1/1989 Schoenborn .
- D. 306,487 3/1990 Fowler, Jr. .
- D. 306,984 4/1990 Pany .
- D. 308,028 5/1990 Moriarty .
- D. 310,499 9/1990 Grzebyk .
- D. 310,500 9/1990 Matousek .
- D. 315,469 3/1991 Elliott .
- D. 316,780 5/1991 Chilcutt et al. .
- D. 318,634 7/1991 Tobin .
- D. 320,176 9/1991 Miller .
- D. 321,670 11/1991 Buonito et al. .
- D. 321,839 11/1991 Rosato .

- D. 326,243 5/1992 Franci .
- D. 328,042 7/1992 Lai .
- D. 329,208 9/1992 Bowling et al. .
- D. 329,209 9/1992 De Carlo .
- D. 330,346 10/1992 Bryand .
- D. 330,875 11/1992 Boucher .
- D. 332,439 1/1993 Talley .
- D. 332,582 1/1993 Quinn .
- D. 335,189 4/1993 Saeva et al. .
- D. 335,540 5/1993 Elliott .
- D. 339,549 9/1993 Hermanson .
- D. 342,463 12/1993 Brooks .
- D. 342,694 12/1993 Frost .
- D. 343,593 1/1994 Lawrence et al. .
- D. 344,250 2/1994 Johnson et al. .
- D. 344,911 3/1994 Stork .
- D. 345,943 4/1994 Lujan, Jr. .
- D. 345,944 4/1994 Starzak .
- D. 345,945 4/1994 Starzak .
- D. 347,599 6/1994 Johnson et al. .
- D. 347,803 6/1994 Starzak .
- D. 347,804 6/1994 Starzak .
- D. 349,259 8/1994 Adam .
- D. 350,934 9/1994 Talley .
- D. 350,935 9/1994 Stach .
- D. 351,570 10/1994 Phillip .
- D. 352,014 11/1994 O'Leary .
- D. 353,788 12/1994 Frost et al. .
- D. 354,021 1/1995 Kielbasa .

(List continued on next page.)

Primary Examiner—Dominic Simone
(74) *Attorney, Agent, or Firm*—Jenkins & Gilchrist

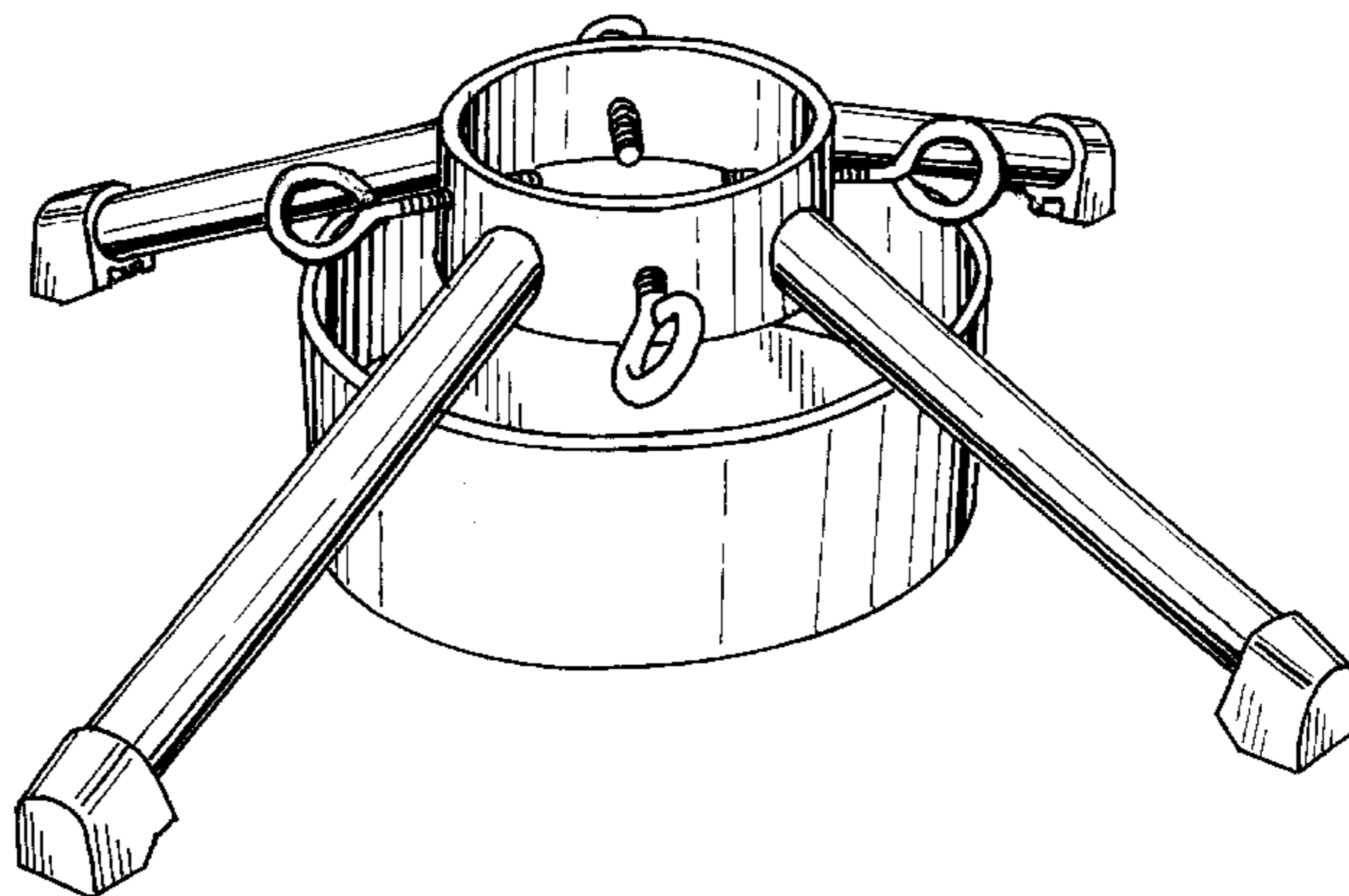
(57) **CLAIM**

The ornamental design for Christmas tree stand, as shown and described.

DESCRIPTION

FIG. 1 is a top perspective view of the Christmas tree stand showing our new design;
FIG. 2 is a top plan view;
FIG. 3 is a bottom plan view; and,
FIG. 4 is a side elevational view.

1 Claim, 2 Drawing Sheets



US D451,839 S

Page 2

U.S. PATENT DOCUMENTS					
			4,585,201	4/1986	Pursell .
			4,601,399	7/1986	Brenteson .
			4,699,347	10/1987	Kuhnley .
D. 354,143	1/1995	Floyd, Jr. .	4,750,702	6/1988	Neil et al. .
D. 359,133	6/1995	Dull et al. .	4,796,017	1/1989	Merenda .
D. 359,462	6/1995	Manuel .	4,825,586	5/1989	Coppedge .
D. 364,831	12/1995	Fillip .	4,834,335	5/1989	Attar .
D. 367,122	2/1996	Foster .	4,884,363	12/1989	Sofy .
D. 368,674	4/1996	Avinger .	4,889,309	12/1989	McCure .
D. 370,185	5/1996	Grimm et al. .	4,901,971	2/1990	Connelly .
D. 372,885	8/1996	Ludwig .	4,913,395	4/1990	Juhas .
D. 372,986	8/1996	Oerther .	4,936,538	6/1990	Royce .
D. 373,427	9/1996	Russom .	4,967,508	11/1990	Reynolds .
D. 375,026	10/1996	Ronald .	4,976,411	12/1990	Gordon et al. .
D. 381,598	7/1997	Roberts et al. .	4,989,820	2/1991	Sterling .
D. 381,930	8/1997	Faller .	4,993,176	2/1991	Spinosa .
D. 382,227	8/1997	Adams et al. .	5,000,414	3/1991	Rosato .
D. 389,777	1/1998	Altieri .	5,009,028	4/1991	Lorenzana et al. .
D. 396,303	7/1998	Odom et al. .	5,111,611	5/1992	Elder .
D. 396,391	7/1998	Rein et al. .	5,114,113	5/1992	Krinner .
D. 396,824	8/1998	Bolster .	5,118,067	6/1992	Gillanders .
D. 397,061	8/1998	Wright .	5,121,897	6/1992	Sofy .
D. 399,166	10/1998	Wright .	5,137,246	8/1992	Idso .
D. 442,883 *	5/2001	Finch D11/130.1	5,160,110	11/1992	Praegitzer .
1,091,000	3/1914	Lyman .	5,161,768	11/1992	Sarabin .
1,110,942	9/1914	Piner .	5,209,450	5/1993	Grapes .
1,240,376	9/1917	Saucier .	5,256,461	10/1993	Johnson .
1,401,144	12/1921	Dicks .	5,290,004	3/1994	Frost et al. .
1,575,488	3/1926	Jakobey .	5,299,381	4/1994	Oldenburg, Jr. .
1,644,807	10/1927	Zeigler .	5,301,462	4/1994	Hronyetz .
2,605,067	7/1952	Lindsell .	5,318,267	6/1994	Rast .
2,681,780	6/1954	Santoro .	5,320,323	6/1994	Clark, Jr. .
2,905,414	9/1959	Zierden .	5,333,828	8/1994	Severeid .
2,933,274	4/1960	Mausolf .	5,337,990	8/1994	Brown .
3,026,075	3/1962	Phelon et al. .	5,350,149	9/1994	Evans, Jr. et al. .
3,051,423	8/1962	Wagner et al. .	5,362,024	11/1994	Grinnen .
3,610,558	10/1971	Tawara .	5,369,910	12/1994	Copenhaver .
3,648,957	3/1972	Beneriscutto .	5,375,807	12/1994	Claas .
3,655,156	4/1972	Petrie .	5,388,799	2/1995	Keefe .
3,661,349	5/1972	De Vries .	5,393,031	2/1995	Leve .
3,682,421	8/1972	Spiegel .	5,398,444	3/1995	Murray .
3,731,895	5/1973	Petrie .	5,410,838	5/1995	O'Leary et al. .
3,733,040	5/1973	Rocquin .	5,425,199	6/1995	Sofy .
3,784,136	1/1974	Lopez .	5,439,196	8/1995	Widman .
3,801,053	4/1974	Laute .	5,478,042	12/1995	Bliss et al. .
3,815,854	6/1974	Zipser .	5,484,131	1/1996	Aldrete et al. .
3,861,629	1/1975	Merrill .	5,490,350	2/1996	Eisenschenk et al. .
3,888,438	6/1975	Mizelle .	5,492,301	2/1996	Hauser .
3,901,469	8/1975	Davis et al. .	5,507,117	4/1996	Kalman et al. .
3,966,153	6/1976	Fleck .	5,522,177	6/1996	Davis .
4,006,560	2/1977	Schulz .	5,522,179	6/1996	Hollis .
4,007,901	2/1977	Mancini et al. .	5,527,011	6/1996	Wiggins et al. .
4,076,205	2/1978	Almér et al. .	5,551,659	9/1996	Sofy .
4,126,963	11/1978	Dunbar .	5,575,110	11/1996	Couture .
4,156,323	5/1979	Scheffler .	5,577,701	11/1996	Plzak .
4,159,096	6/1979	Chase .	5,580,026	12/1996	Newcomer .
4,222,545	9/1980	Patton et al. .	5,590,865	1/1997	Odom, Jr. .
4,254,478	3/1981	Hanfeld .	5,605,315	2/1997	Hartung et al. .
4,286,409	9/1981	Taylor et al. .	5,647,569	7/1997	Sofy .
4,310,989	1/1982	Shannon, Jr. .	5,673,893	10/1997	Klein .
4,381,621	5/1983	Eby .	5,707,037	1/1998	Pastrick .
4,399,973	8/1983	Spry et al. .	5,725,193	3/1998	Adams .
4,408,415	10/1983	Davis et al. .	5,732,926	3/1998	Baumgartner .
4,429,846	2/1984	Halvorson .	5,738,329	4/1998	Woodard .
4,436,272	3/1984	Lile et al. .	5,743,508	4/1998	Fiveash .
4,477,049	10/1984	Davis .	5,762,311	6/1998	Triglia .
4,496,129	1/1985	Waterman et al. .	5,779,215	7/1998	DeMasi .
4,520,935	6/1985	Churchill .	5,791,626	8/1998	Reese .
4,541,601	9/1985	Corbisello .	5,797,579	8/1998	Krinner .
4,565,028	1/1986	Stephan .	5,842,676	12/1998	Plzak .
4,569,151	2/1986	Hoffbeck .			
4,571,881	2/1986	Lathim .			
4,581,277	4/1986	Neale .			

* cited by examiner

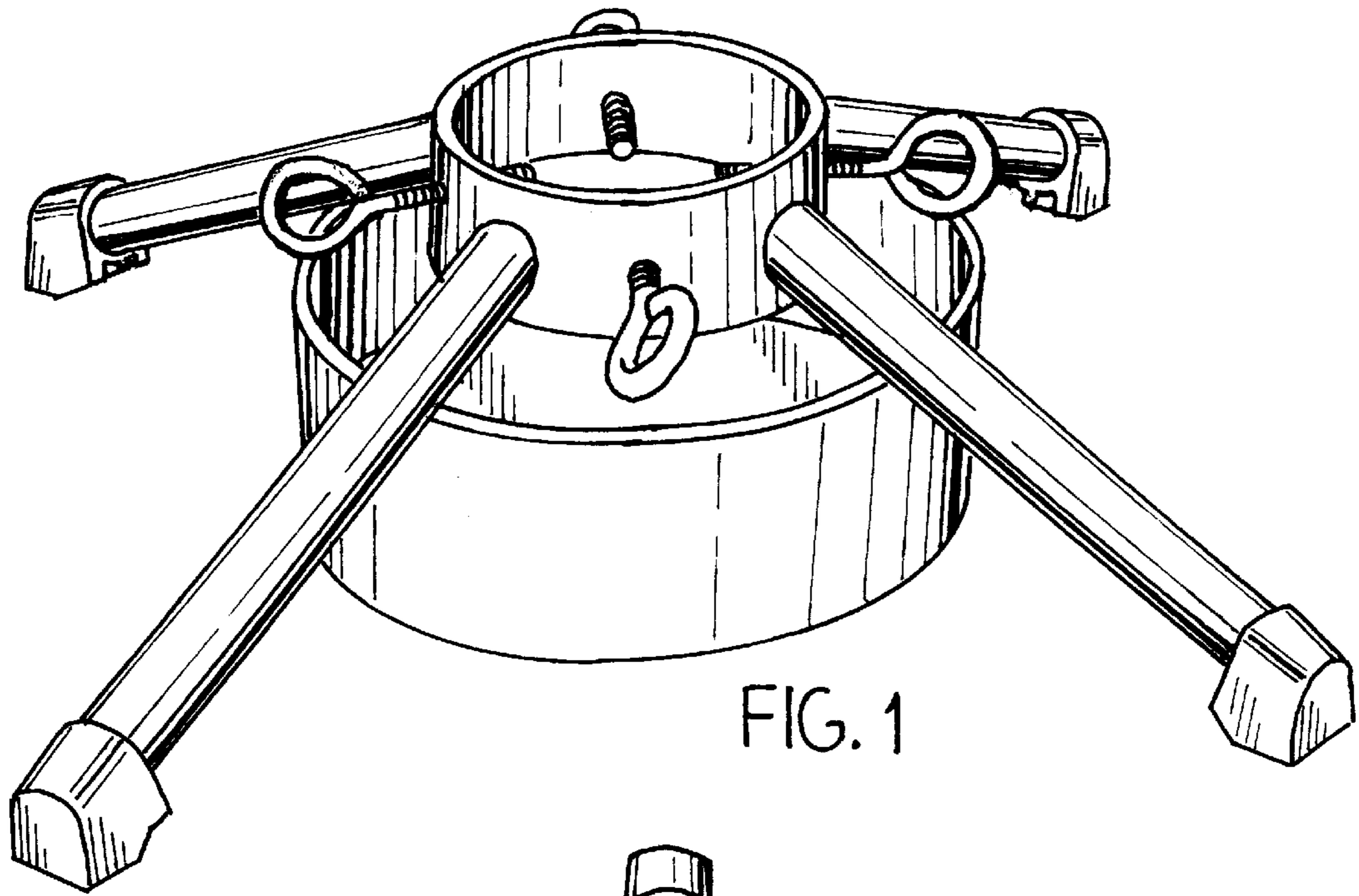


FIG. 1

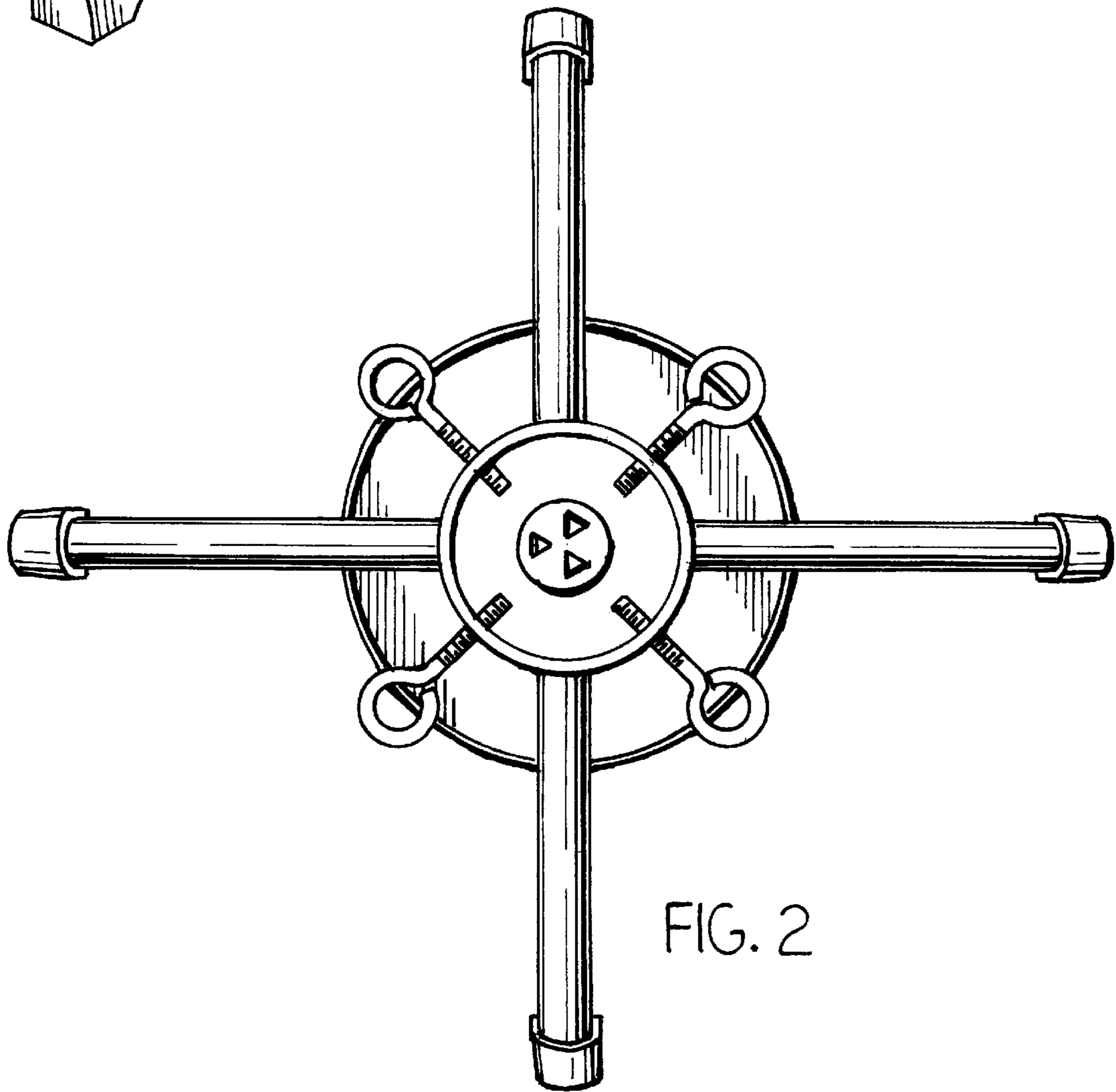


FIG. 2

