



US00D451836B1

(12) **United States Design Patent**  
**Fleetwood et al.**

(10) **Patent No.:** **US D451,836 S**

(45) **Date of Patent:** **\*\* Dec. 11, 2001**

(54) **HANDHELD ELECTRONIC PET TRAINING TRANSMITTER**

5,494,002 \* 2/1996 Greene ..... 119/719  
5,632,232 \* 5/1997 Waters ..... 119/720  
6,135,060 \* 10/2000 So ..... 119/720

(75) Inventors: **Stephen W. Fleetwood; James L. Jameson**, both of Knoxville, TN (US)

\* cited by examiner

(73) Assignee: **Radio Systems Corporation**, Knoxville, TN (US)

*Primary Examiner*—Pamela Burgess  
(74) *Attorney, Agent, or Firm*—Pitts & Brittian, P.C.

(\*\*) Term: **14 Years**

(57) **CLAIM**

(21) Appl. No.: **29/140,570**

The ornamental design for a handheld electronic pet training transmitter, as shown and described.

(22) Filed: **Apr. 20, 2001**

**DESCRIPTION**

(51) **LOC (7) Cl.** ..... **10-05**

(52) **U.S. Cl.** ..... **D10/104; D30/152; D30/199**

(58) **Field of Search** ..... D30/199, 152, D30/151; D10/104, 106, 116, 121; 119/720, 719, 795, 905, 908; 340/551, 552, 668, 391.1, 573, 548

FIG. 1 is a perspective view of a handheld electronic pet training transmitter of the present invention; FIG. 2 is a front elevation view thereof; FIG. 3 is a rear elevation view thereof; FIG. 4 is a left side elevation view, the right side elevation view being a mirror image thereof; FIG. 5 is a top plan view thereof; and, FIG. 6 is a bottom plan view thereof.

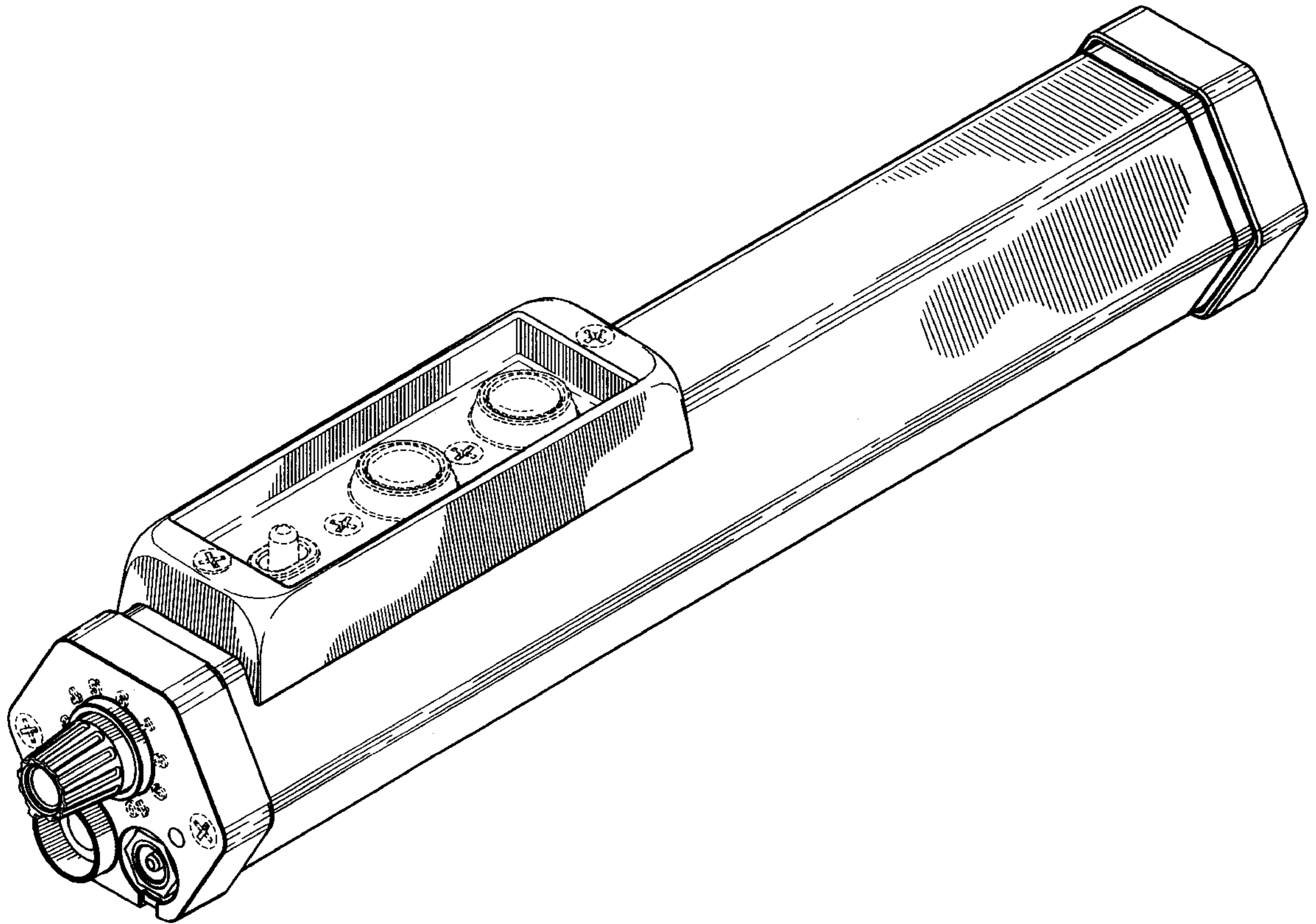
(56) **References Cited**

The broken lines are for illustrative purposes only and form no part of the claimed design.

**U.S. PATENT DOCUMENTS**

D. 426,166 \* 6/2000 Ferron et al. .... D10/104

**1 Claim, 3 Drawing Sheets**



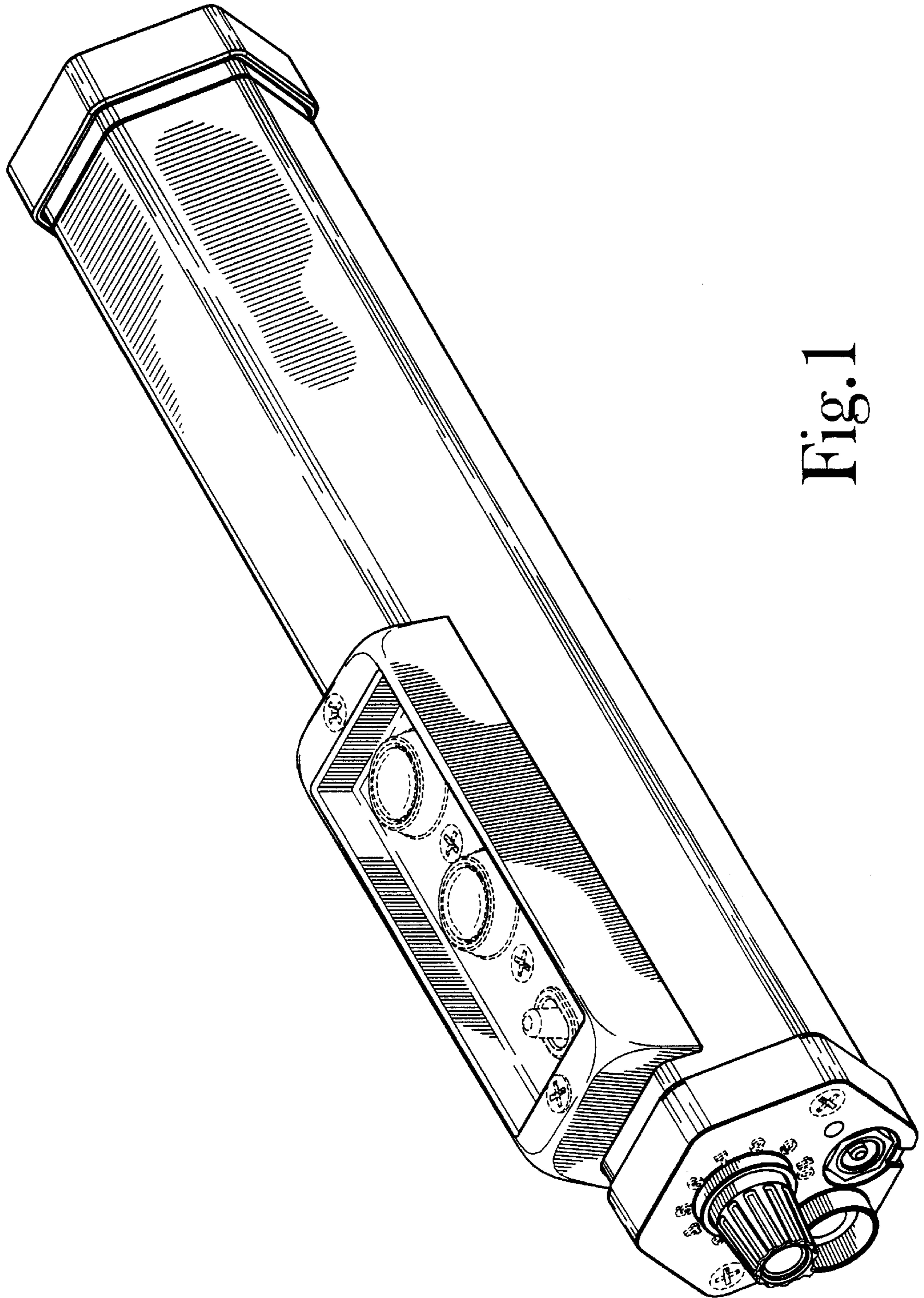


Fig. 1

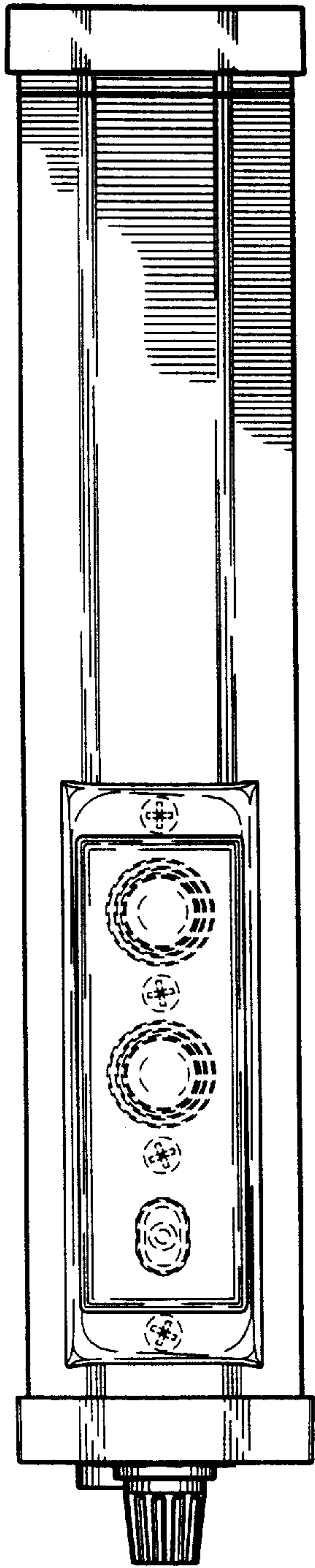


Fig. 2

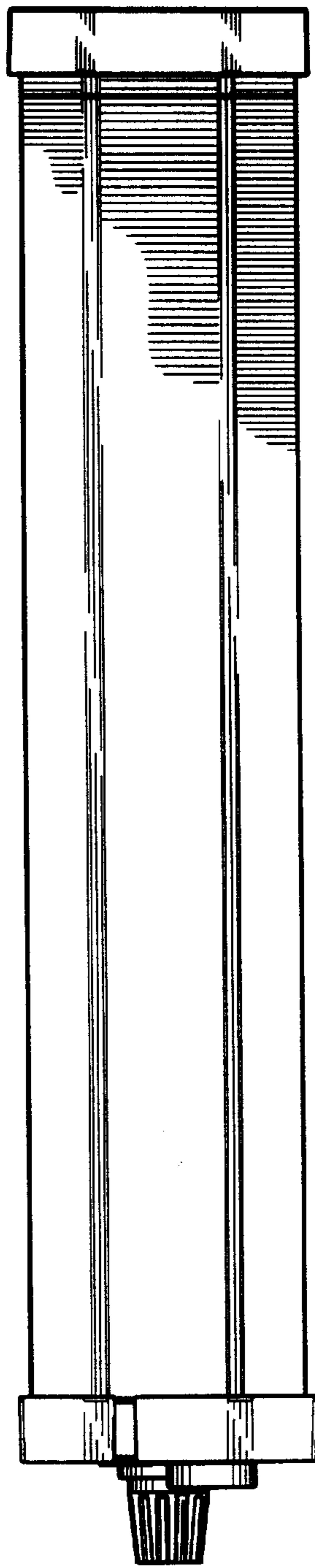


Fig. 3

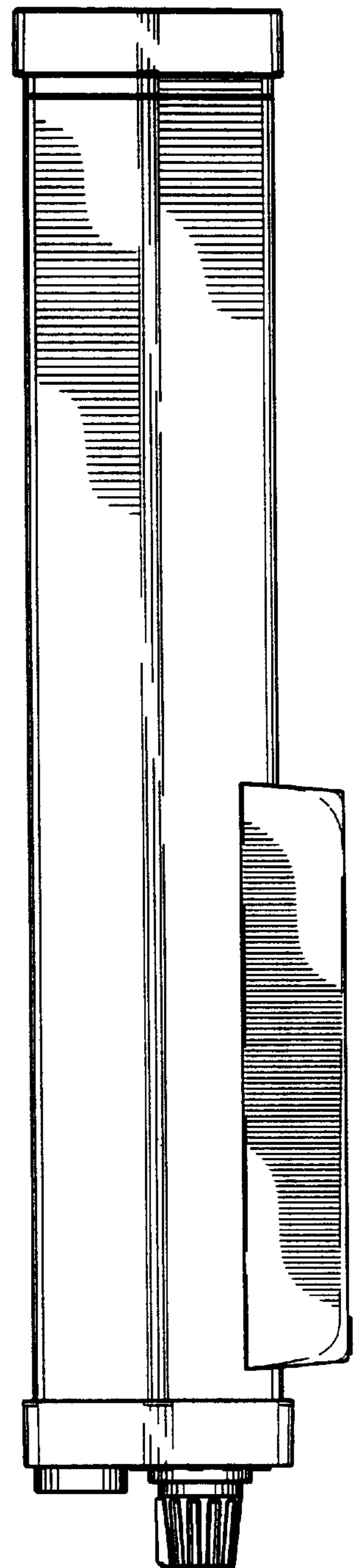


Fig. 4



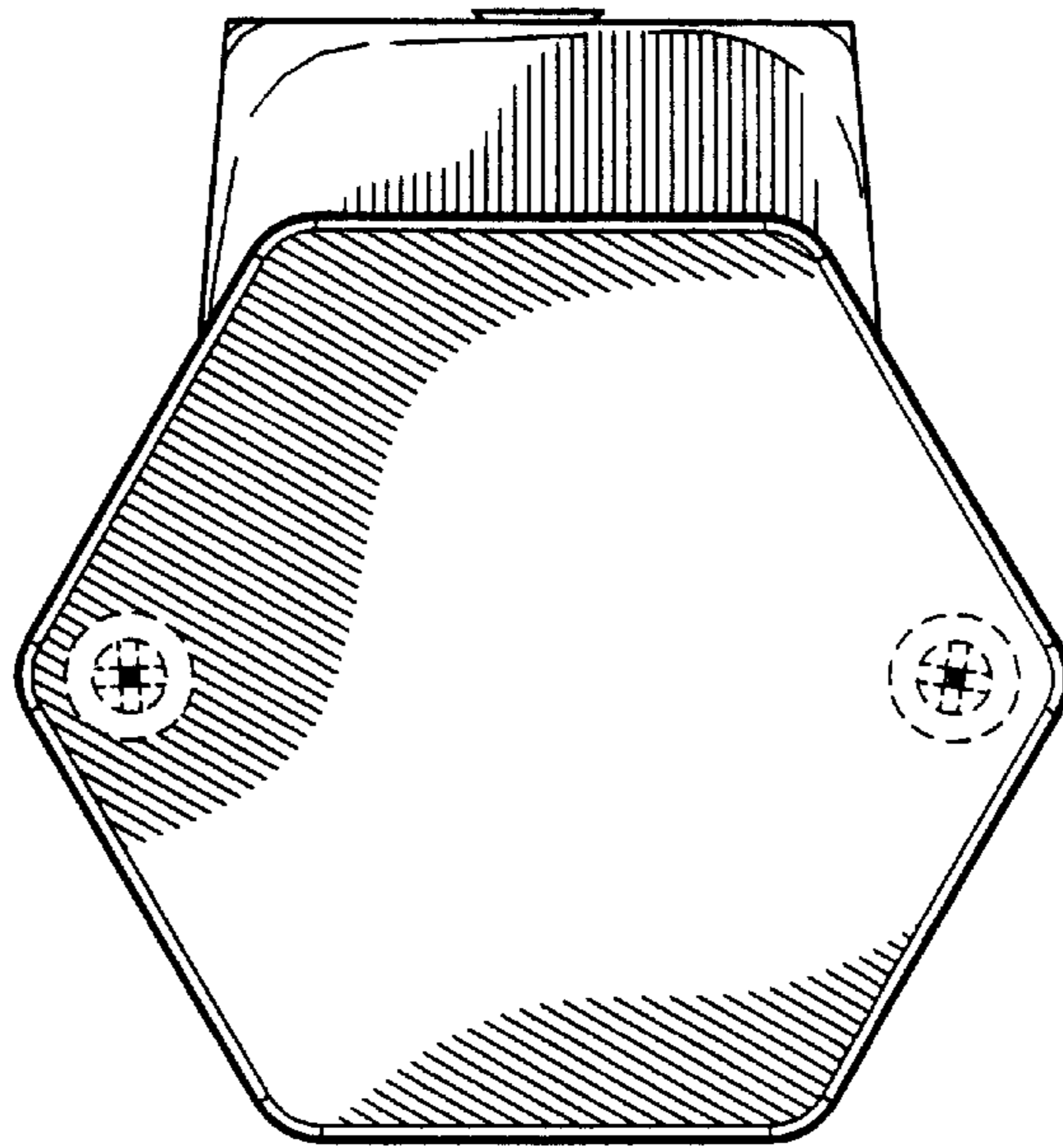


Fig.5

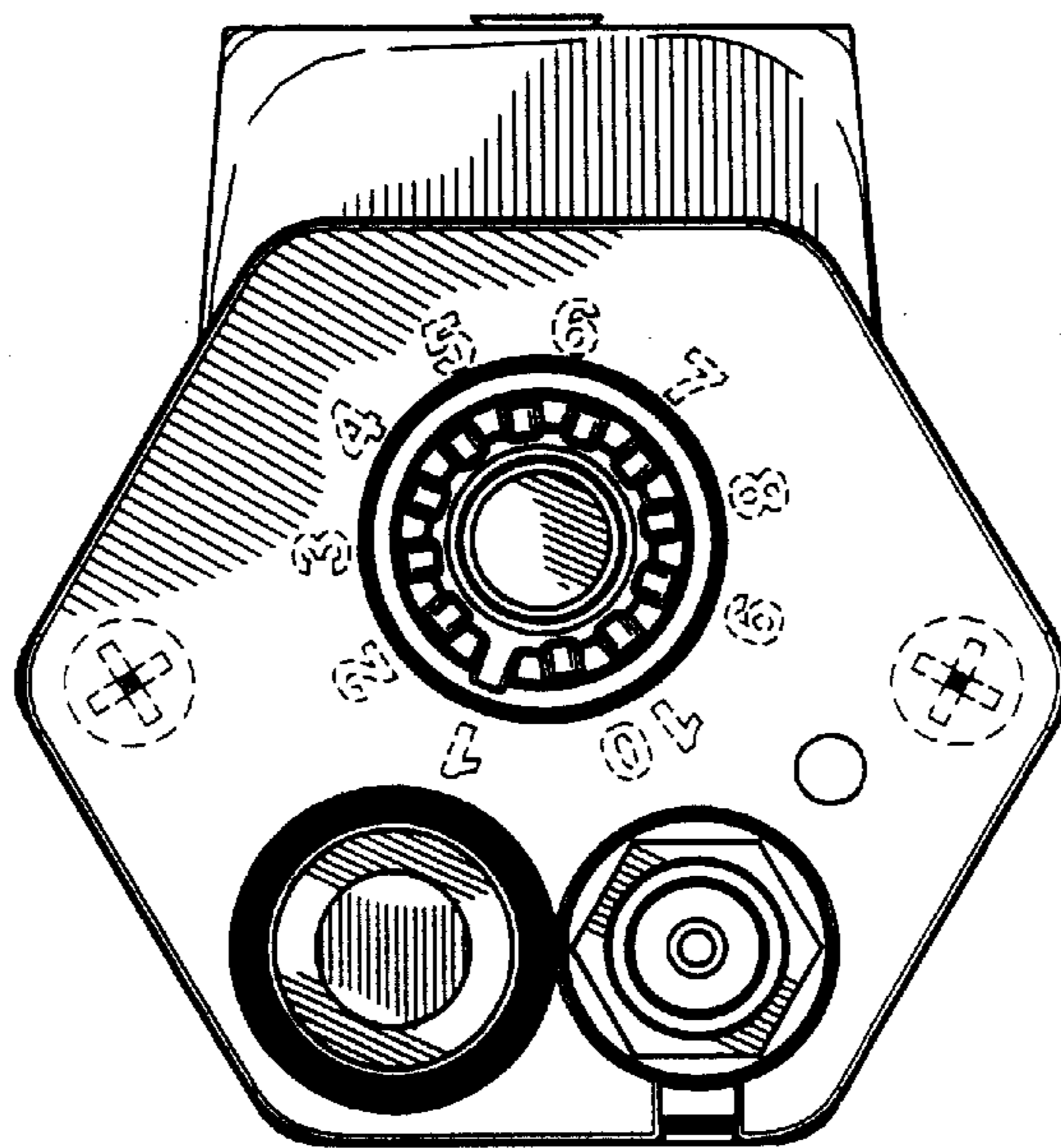


Fig.6