



US00D451832B1

(12) **United States Design Patent**
Lamond et al.

(10) **Patent No.:** **US D451,832 S**

(45) **Date of Patent:** **** Dec. 11, 2001**

(54) **TAPE MEASURE**

(75) Inventors: **Donald R. Lamond**, Haworth; **Bert D. Heinzelman**, Tenafly; **Dylan M. Akinrele**, Leonia, all of NJ (US); **Richard Whitehall**, New York; **Walter Stoeckmann**, Mahopac, both of NY (US)

(73) Assignee: **General Housewares Corporation**, Terre Haute, IN (US)

(**) Term: **14 Years**

(21) Appl. No.: **29/137,629**

(22) Filed: **Feb. 27, 2001**

(51) **LOC (7) Cl.** **10-04**

(52) **U.S. Cl.** **D10/72**

(58) **Field of Search** **D10/72; 33/755-770**

(56) **References Cited**

U.S. PATENT DOCUMENTS

D. 438,127 * 2/2001 Beger et al. D10/72

* cited by examiner

Primary Examiner—Antoine Duval Davis

(74) *Attorney, Agent, or Firm*—McDermott, Will & Emery

(57) **CLAIM**

The ornamental design for a tape measure, as shown and described.

DESCRIPTION

FIG. 1 is a front perspective view of an exemplary embodiment of a tape measure according to the present invention. FIG. 2 is a rear perspective view of the exemplary embodiment of a tape measure according to the present invention. FIG. 3 is a front view of the exemplary embodiment of a tape measure according to the present invention. FIG. 4 is a rear view of the exemplary embodiment of a tape measure according to the present invention. FIG. 5 is a right side view of the exemplary embodiment of a tape measure according to the present invention. FIG. 6 is a right side view of the exemplary embodiment of a tape measure according to the present invention. FIG. 7 is a top view of the exemplary embodiment of a tape measure according to the present invention; and, FIG. 8 is a bottom view of the exemplary embodiment of a tape measure according to the present invention.

1 Claim, 4 Drawing Sheets

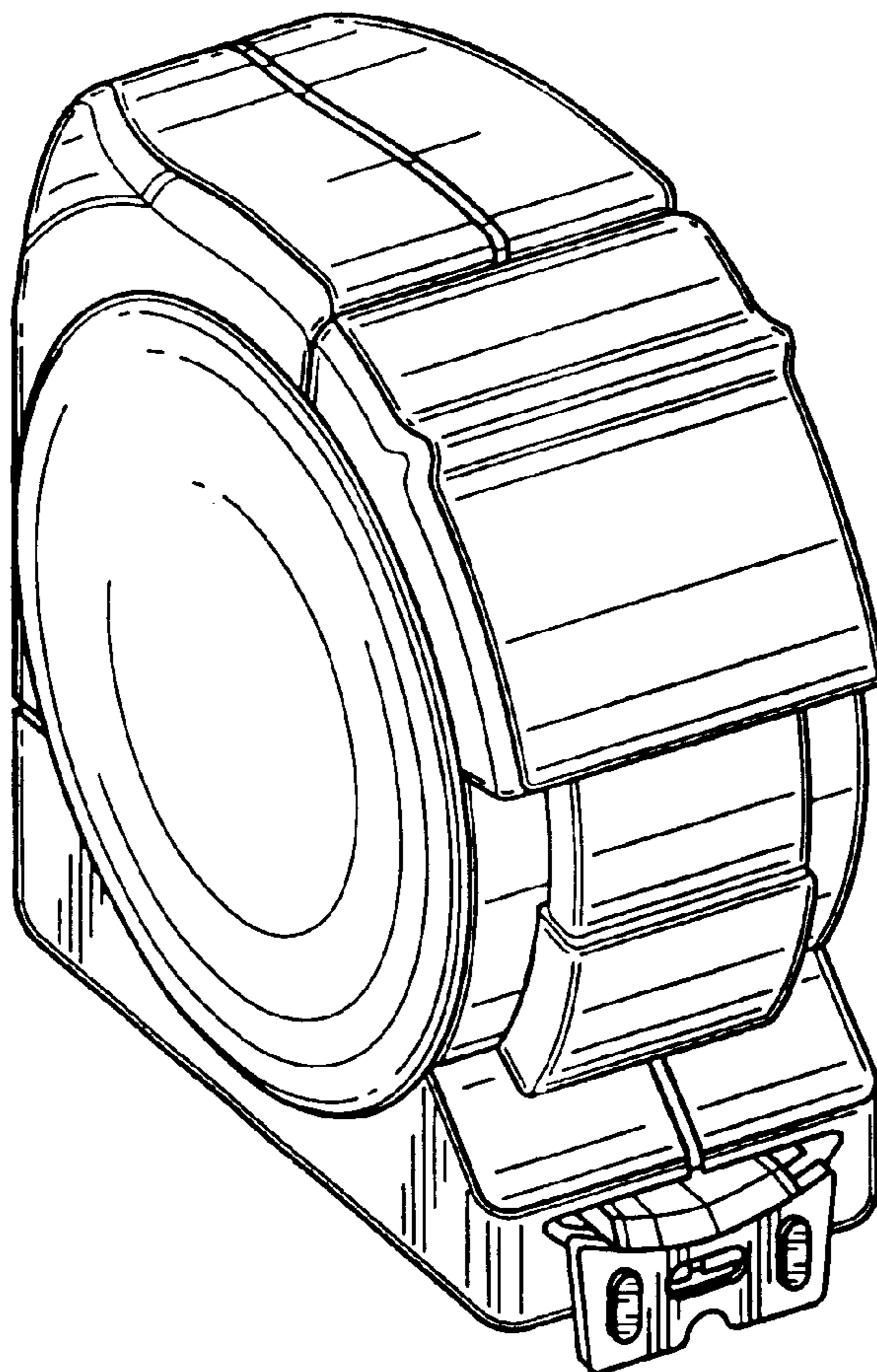


FIG. 2

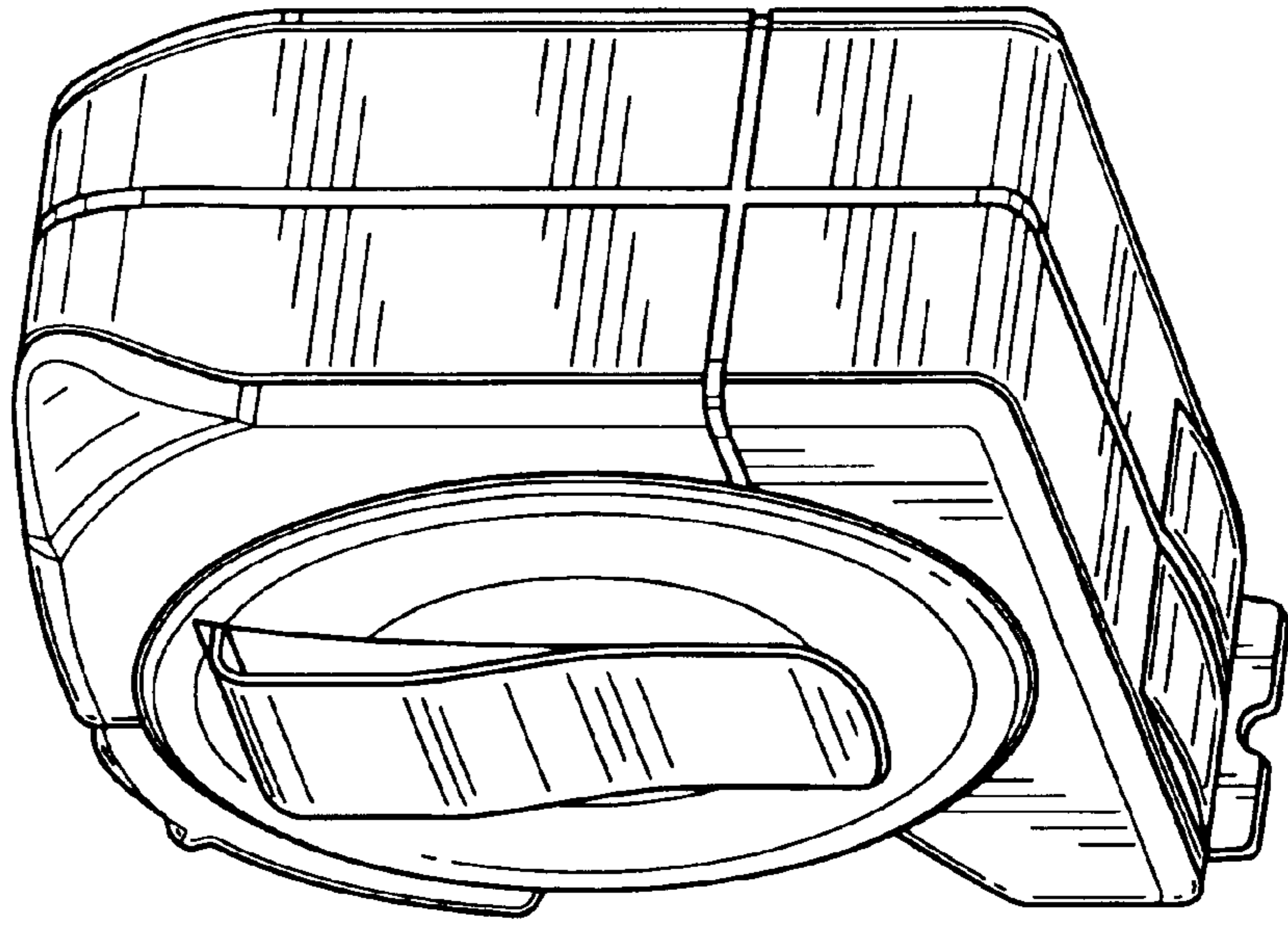


FIG. 1

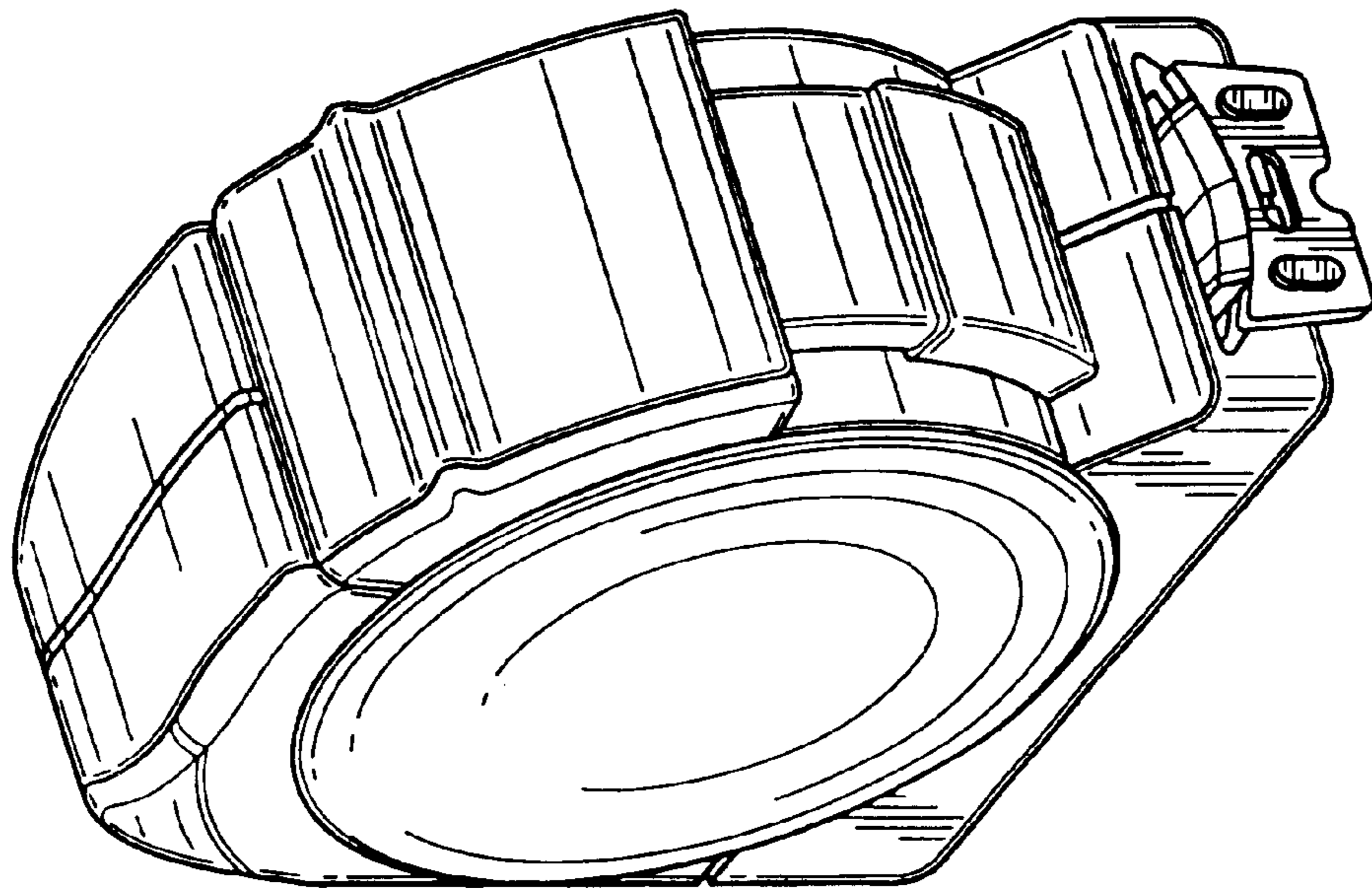


FIG. 4

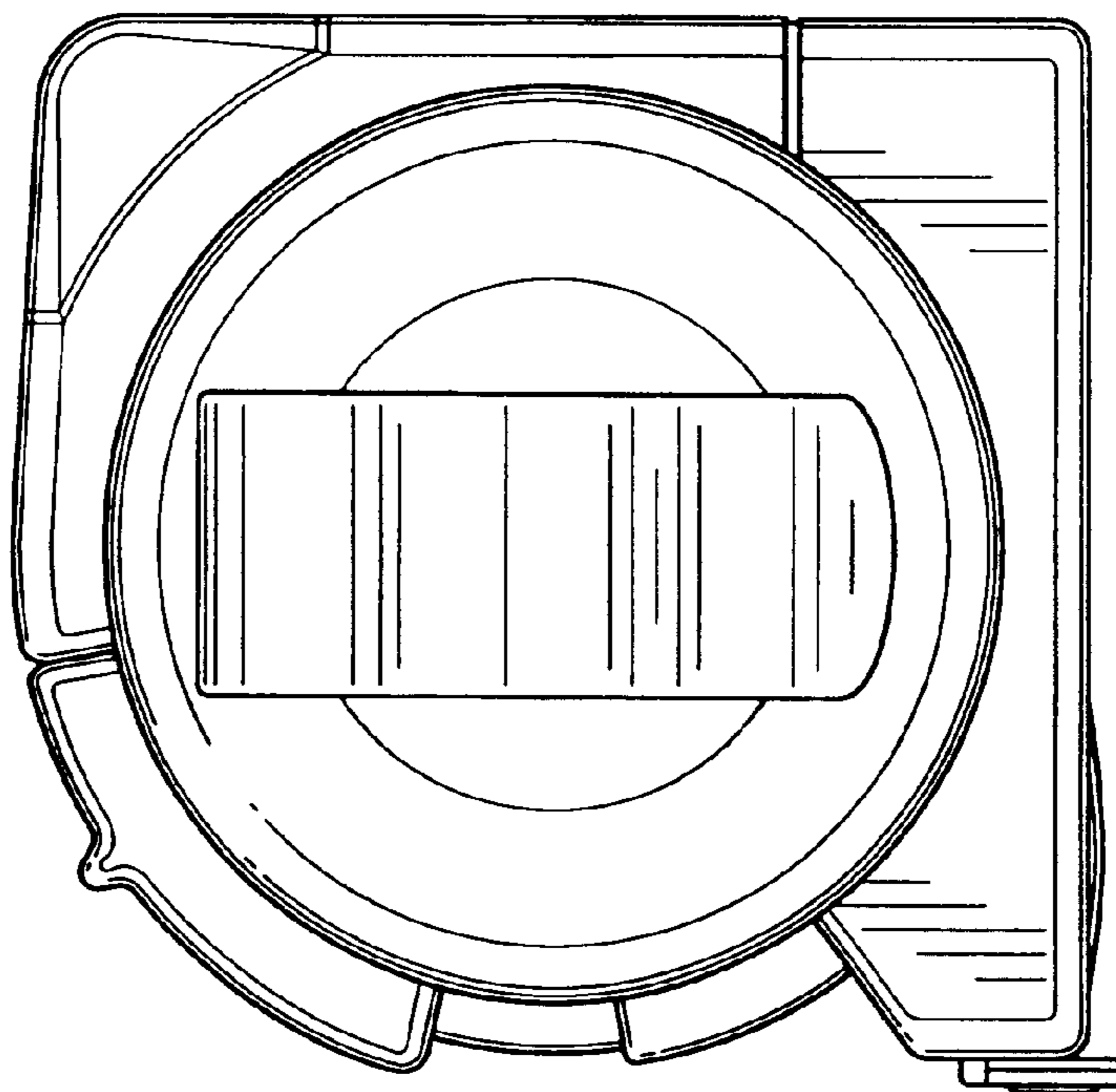


FIG. 3

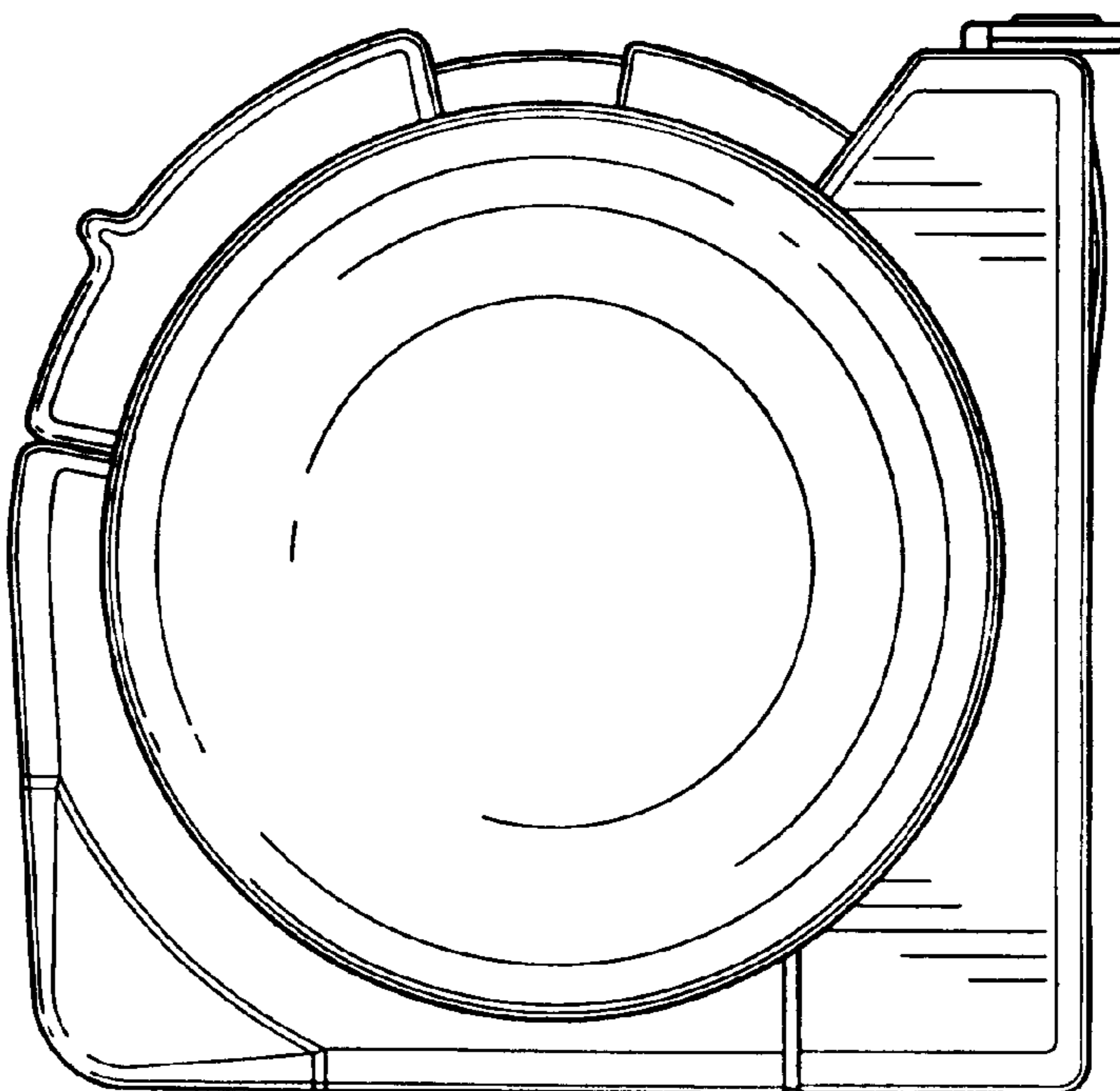


FIG. 6

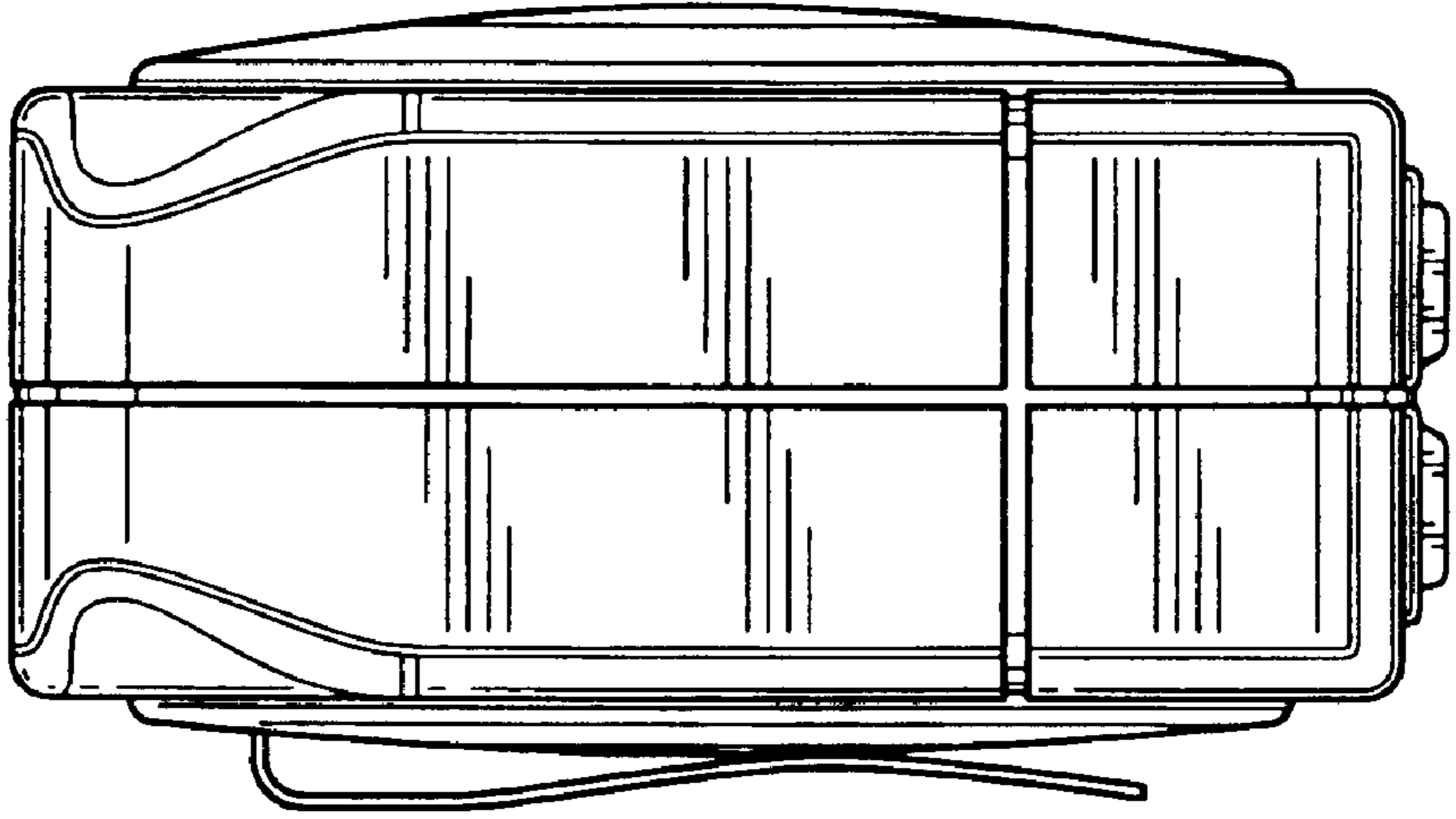


FIG. 5

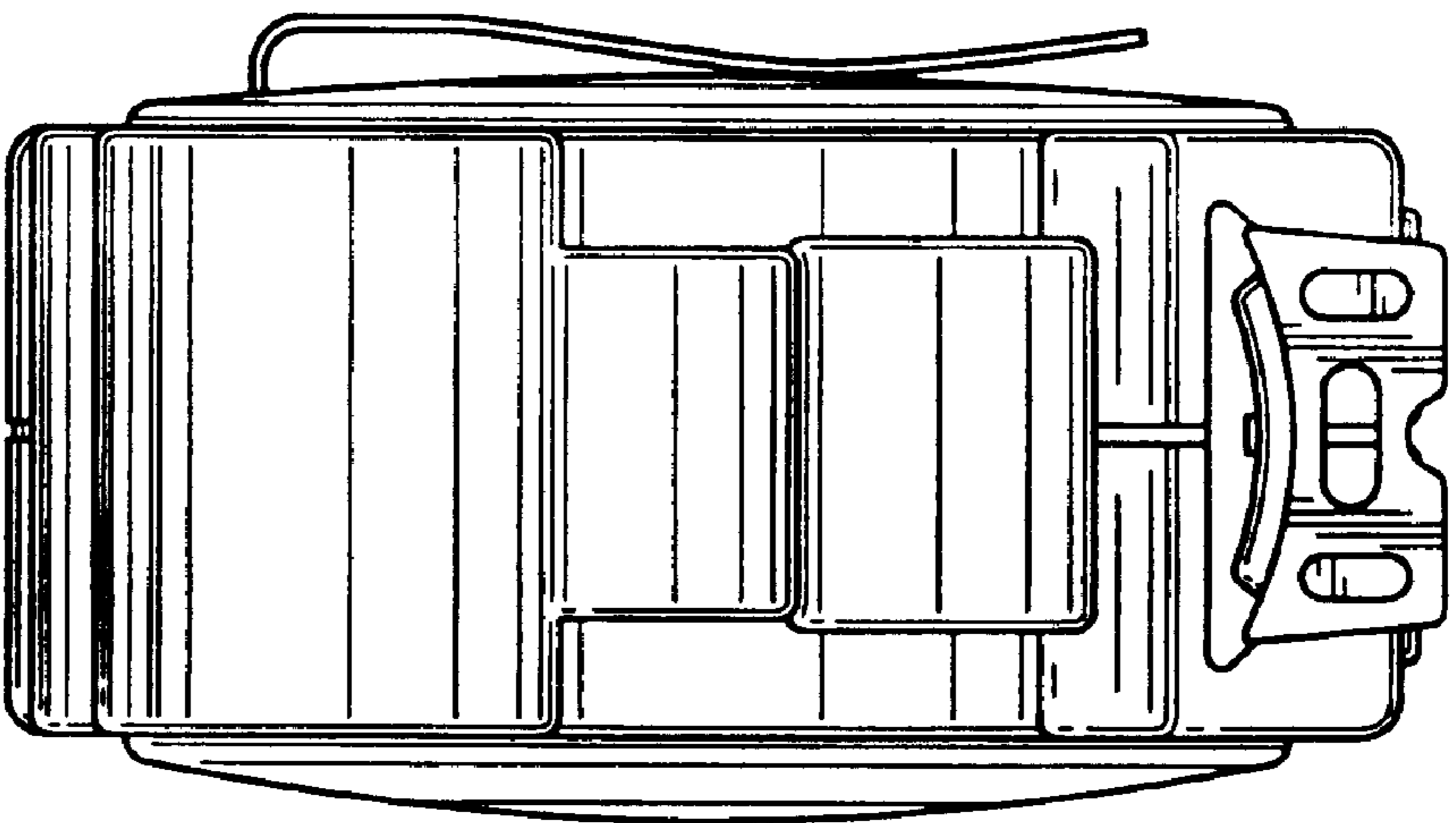


FIG. 7

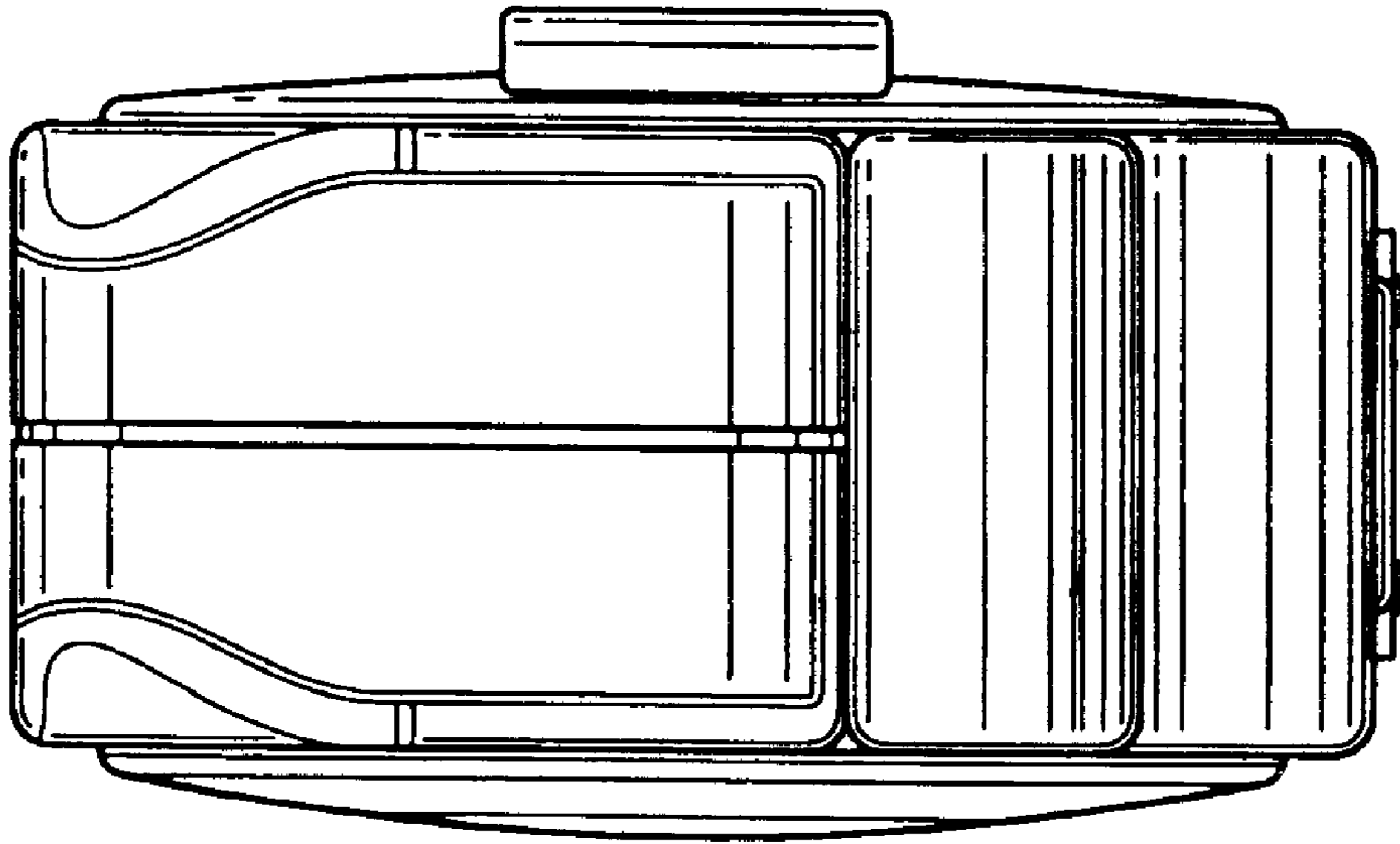


FIG. 8

