



US00D451827B1

(12) **United States Design Patent**
Winters

(10) **Patent No.:** **US D451,827 S**

(45) **Date of Patent:** **** Dec. 11, 2001**

(54) **CUP**

4,409,844 * 10/1983 Schweiso 73/427 X

(75) Inventor: **Julie Winters**, P.O. Box 775, Linden,
CA (US) 95236

* cited by examiner

Primary Examiner—Terry A. Wallace

(73) Assignee: **Julie Winters**, Linden, CA (US)

(74) *Attorney, Agent, or Firm*—Bernhard Kreten

(**) Term: **14 Years**

(57) **CLAIM**

The ornamental design for a cup, as shown and described.

(21) Appl. No.: **29/129,366**

DESCRIPTION

(22) Filed: **Sep. 12, 2000**

(51) **LOC (7) Cl.** **10-04**

FIG. 1 is a perspective view of a cup showing my new design.

(52) **U.S. Cl.** **D10/46.2**

FIG. 2 is a front view thereof.

(58) **Field of Search** D10/46.2, 46.3;
D24/216, 224; 222/23, 49, 50, 158; 73/426-429;
422/910, 912

FIG. 3 is a side view thereof.

FIG. 4 is a side view thereof.

FIG. 5 is a rear view thereof.

FIG. 6 is a top view thereof.

FIG. 7 is a bottom view thereof; and,

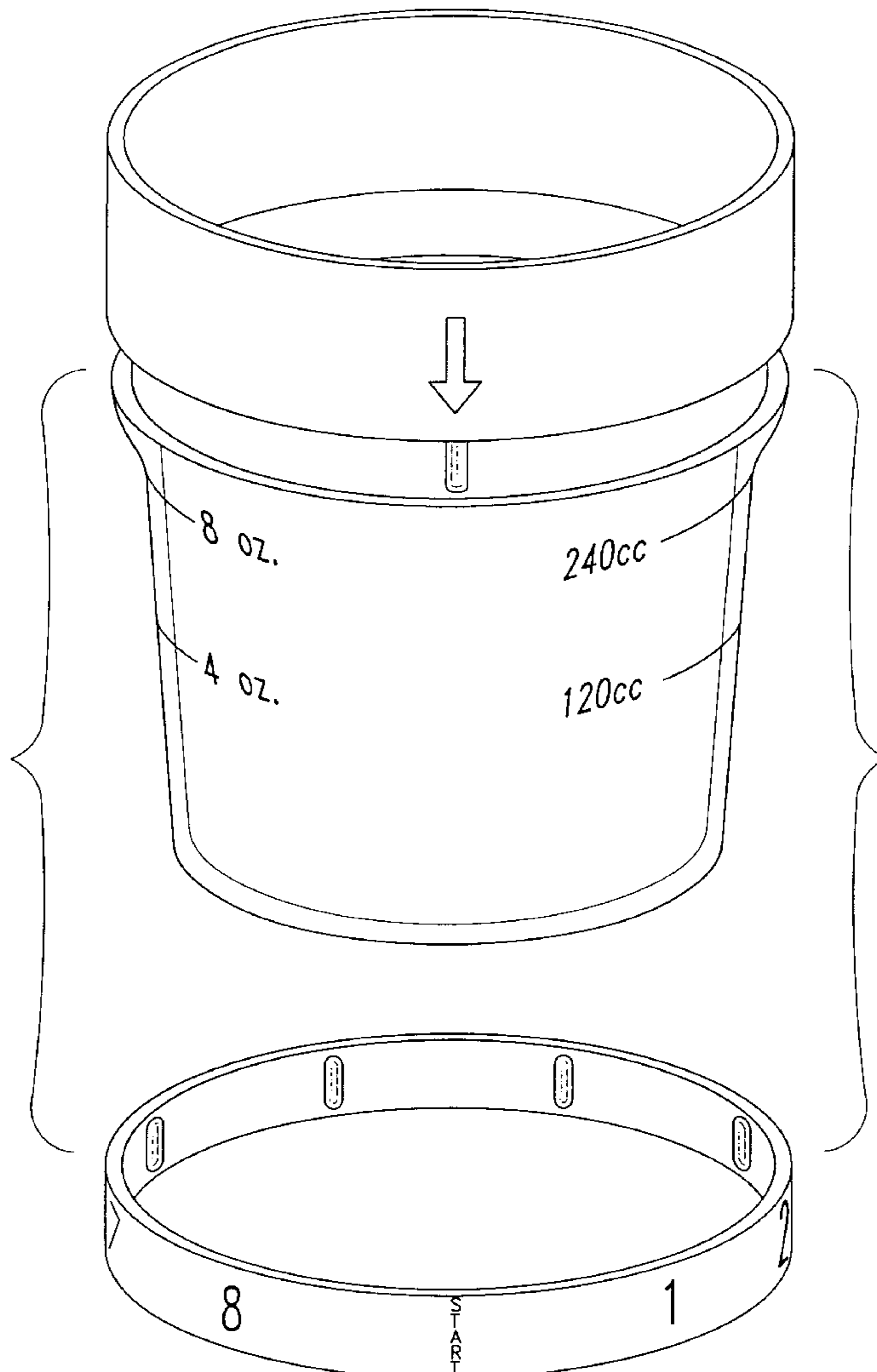
FIG. 8 is a perspective view thereof with the rotating ring removed therefore.

(56) **References Cited**

U.S. PATENT DOCUMENTS

3,782,414 * 1/1974 Holbrook 73/427 X

1 Claim, 3 Drawing Sheets



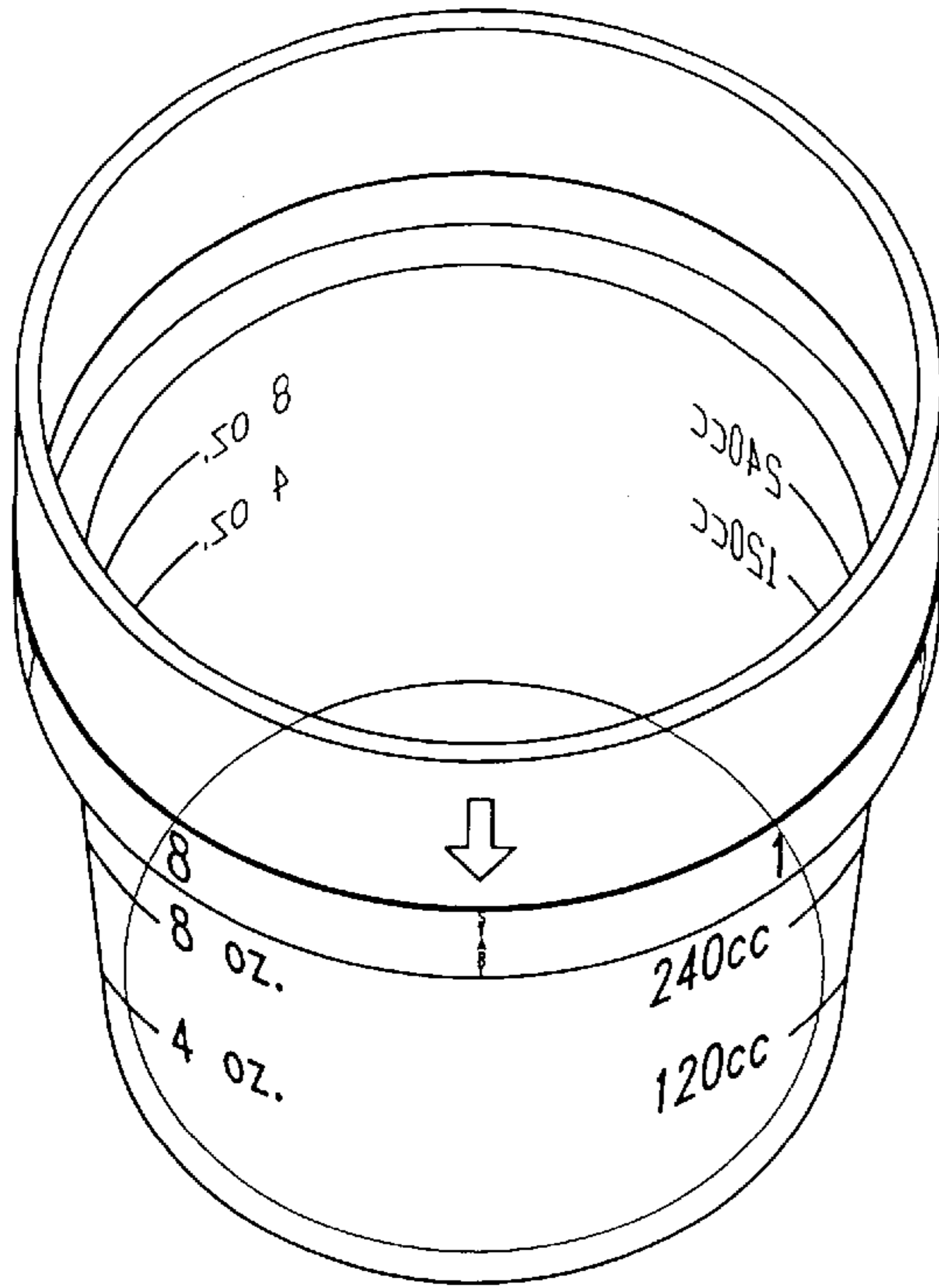


Fig. 1

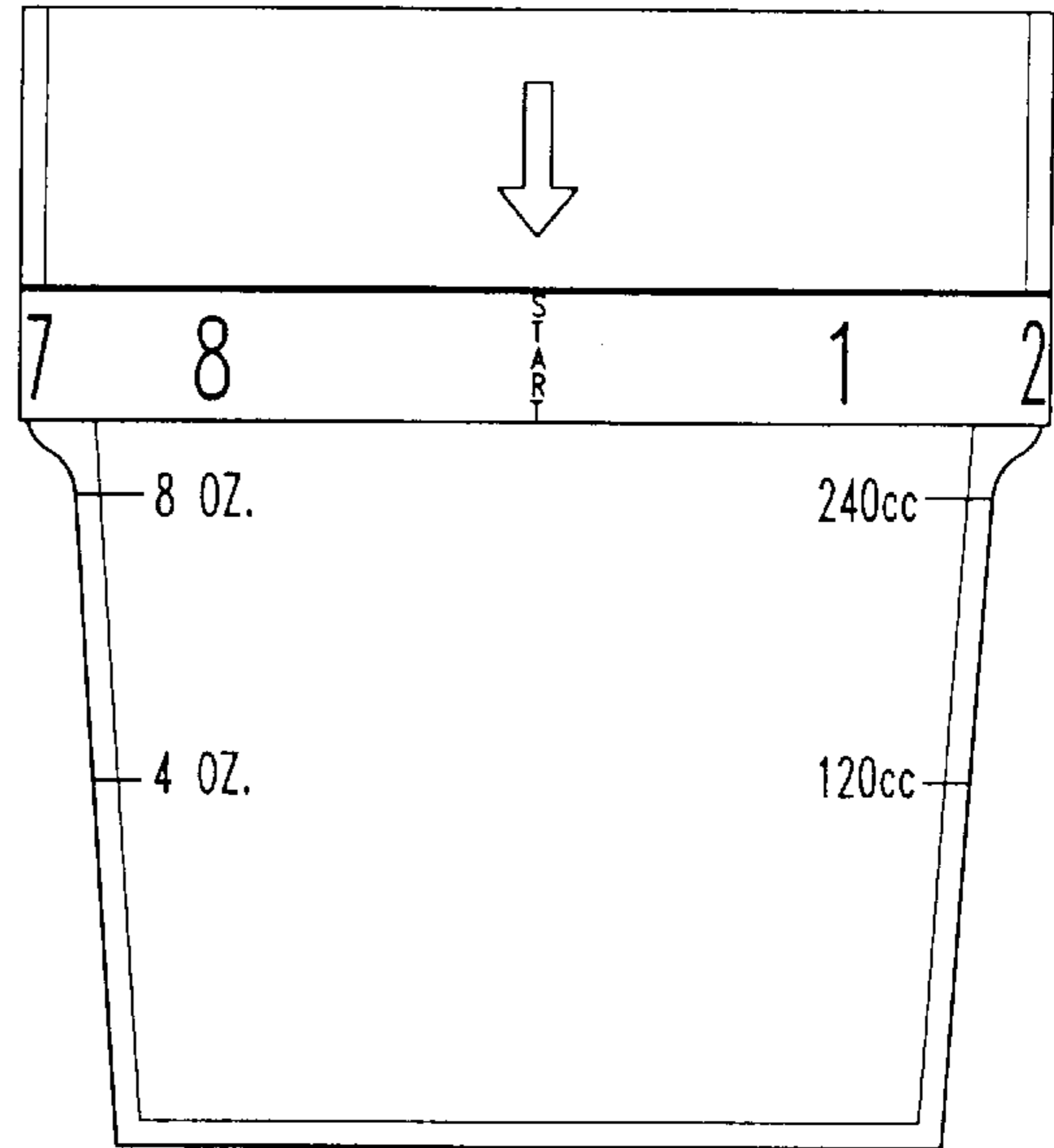


Fig. 2

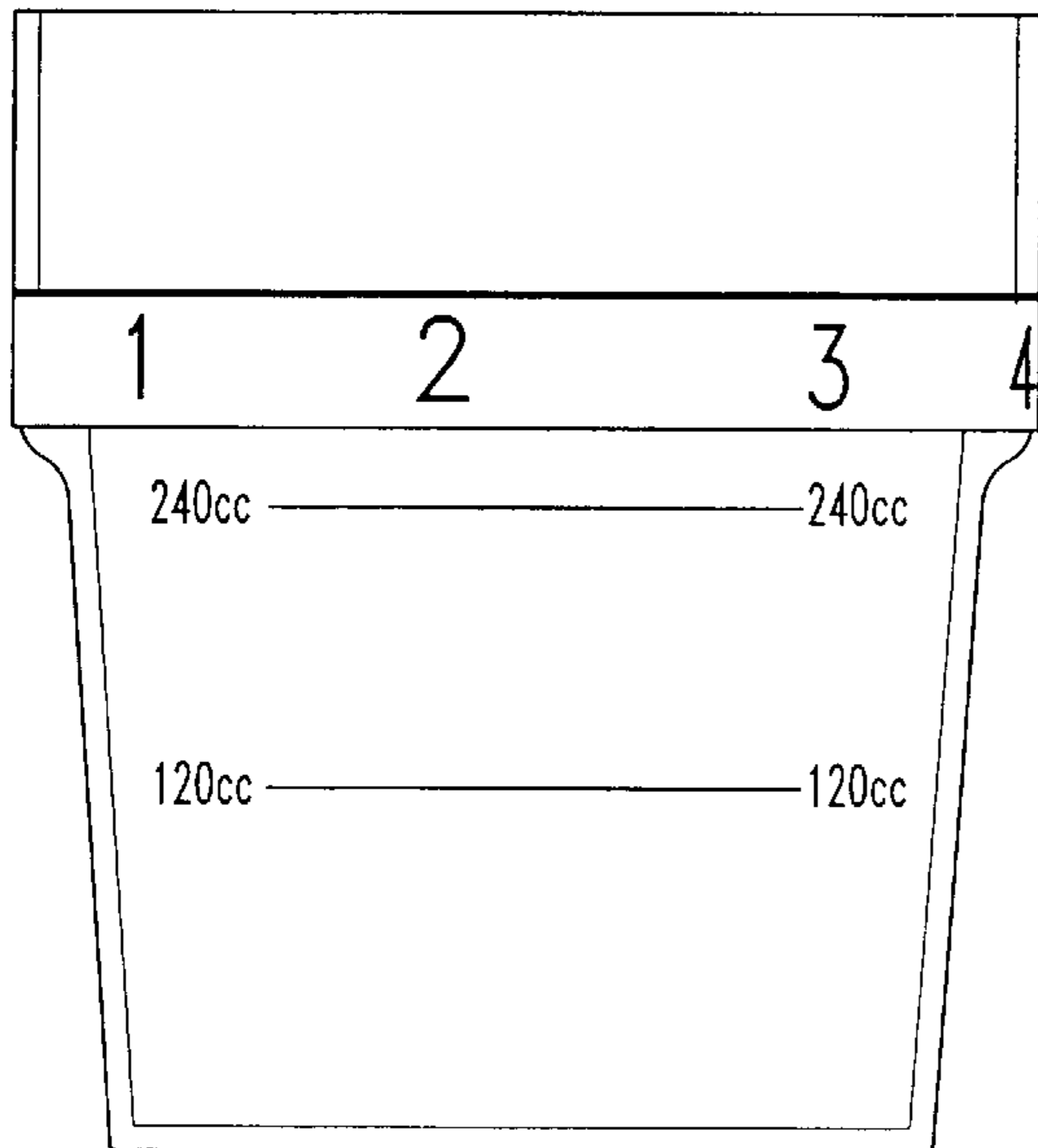


Fig. 3

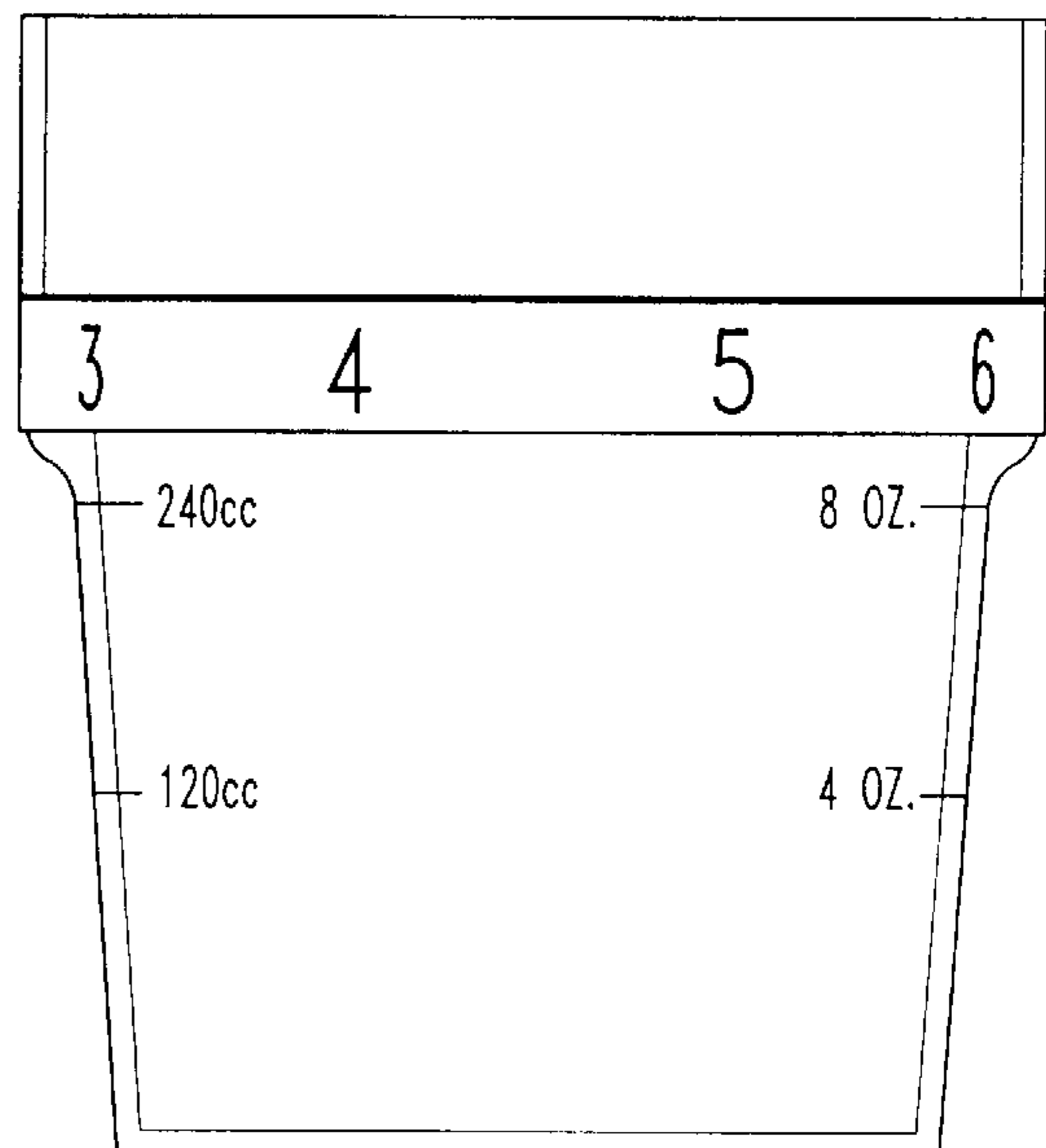


Fig. 4

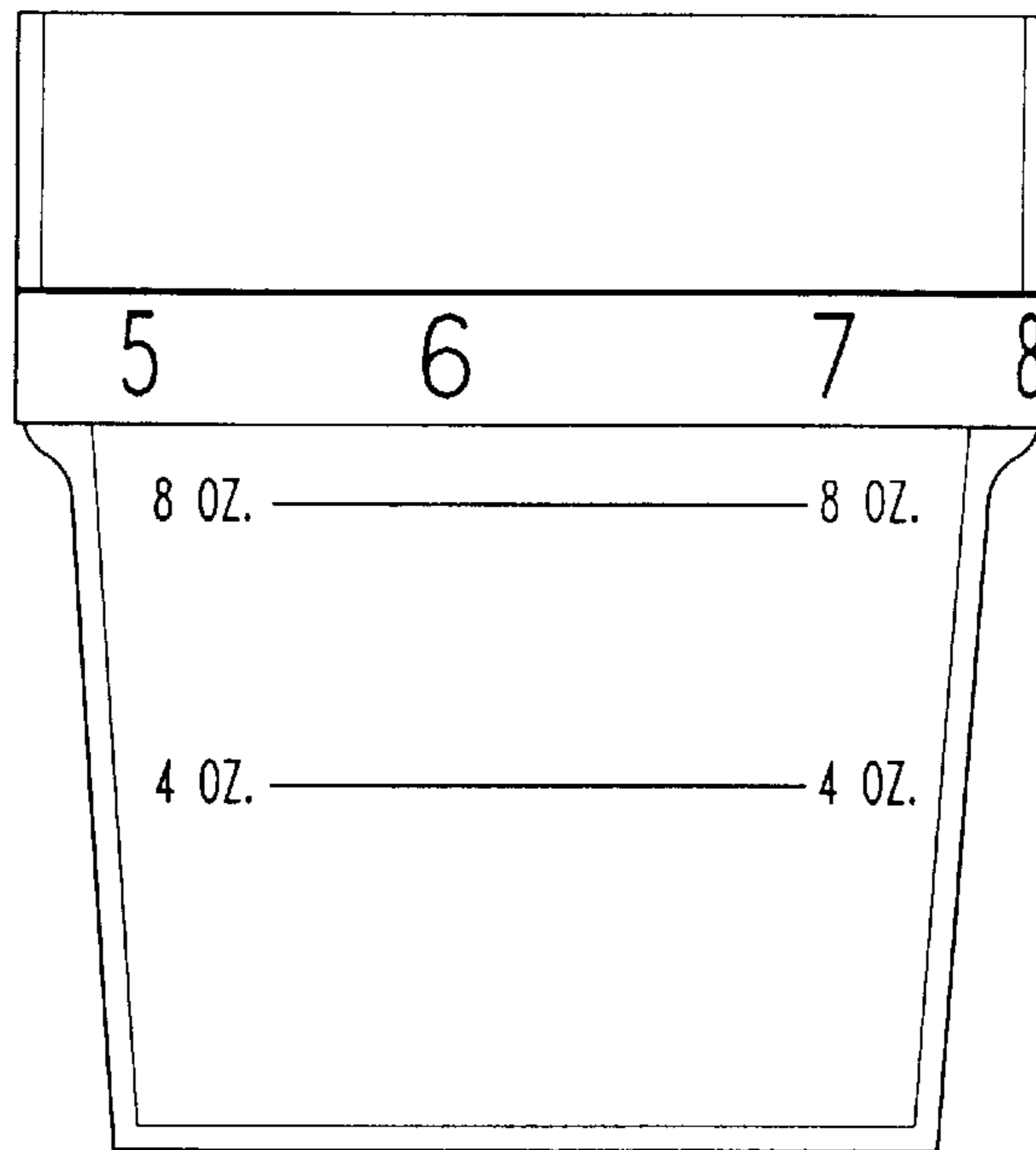


Fig. 5

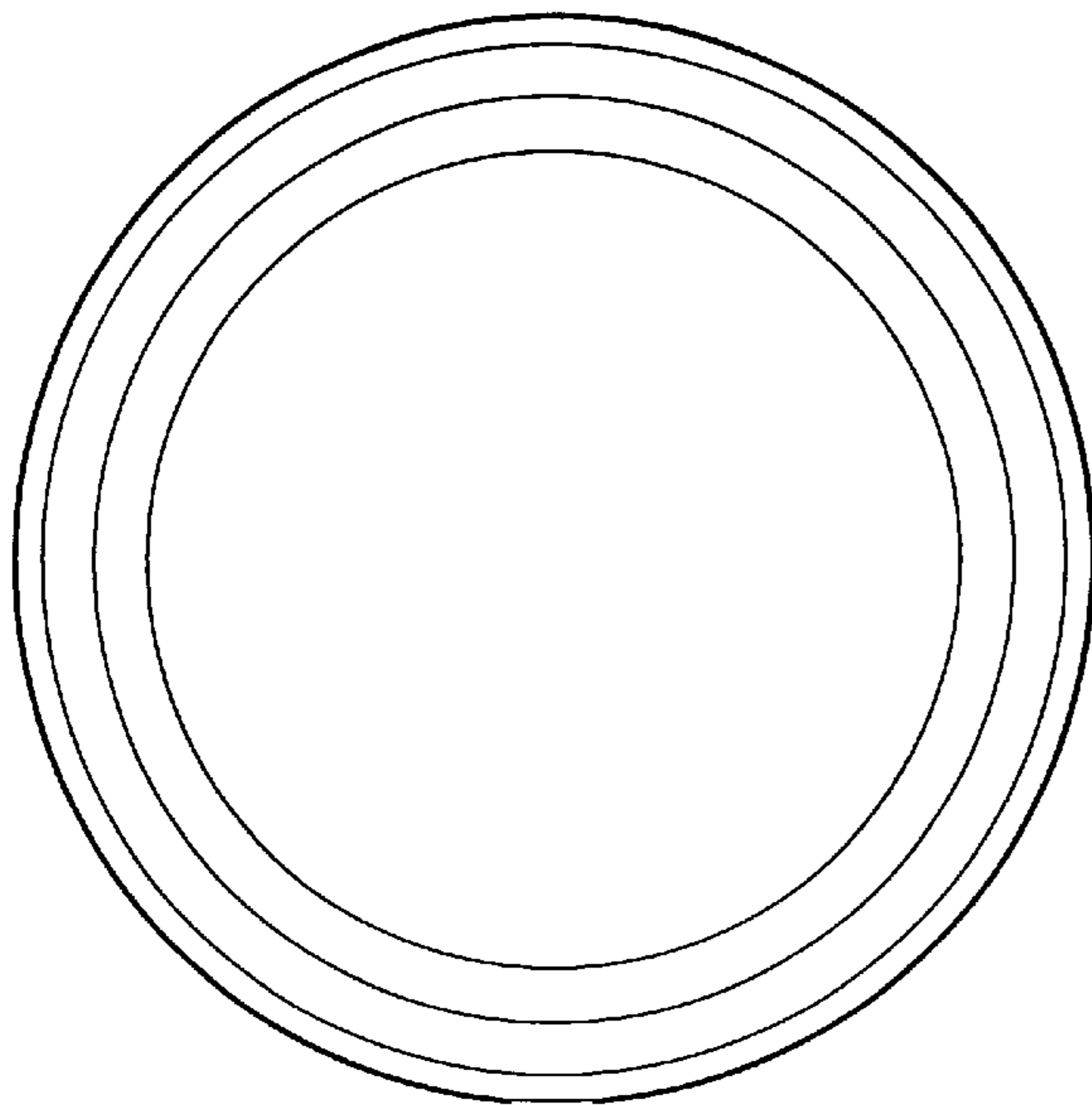


Fig. 6

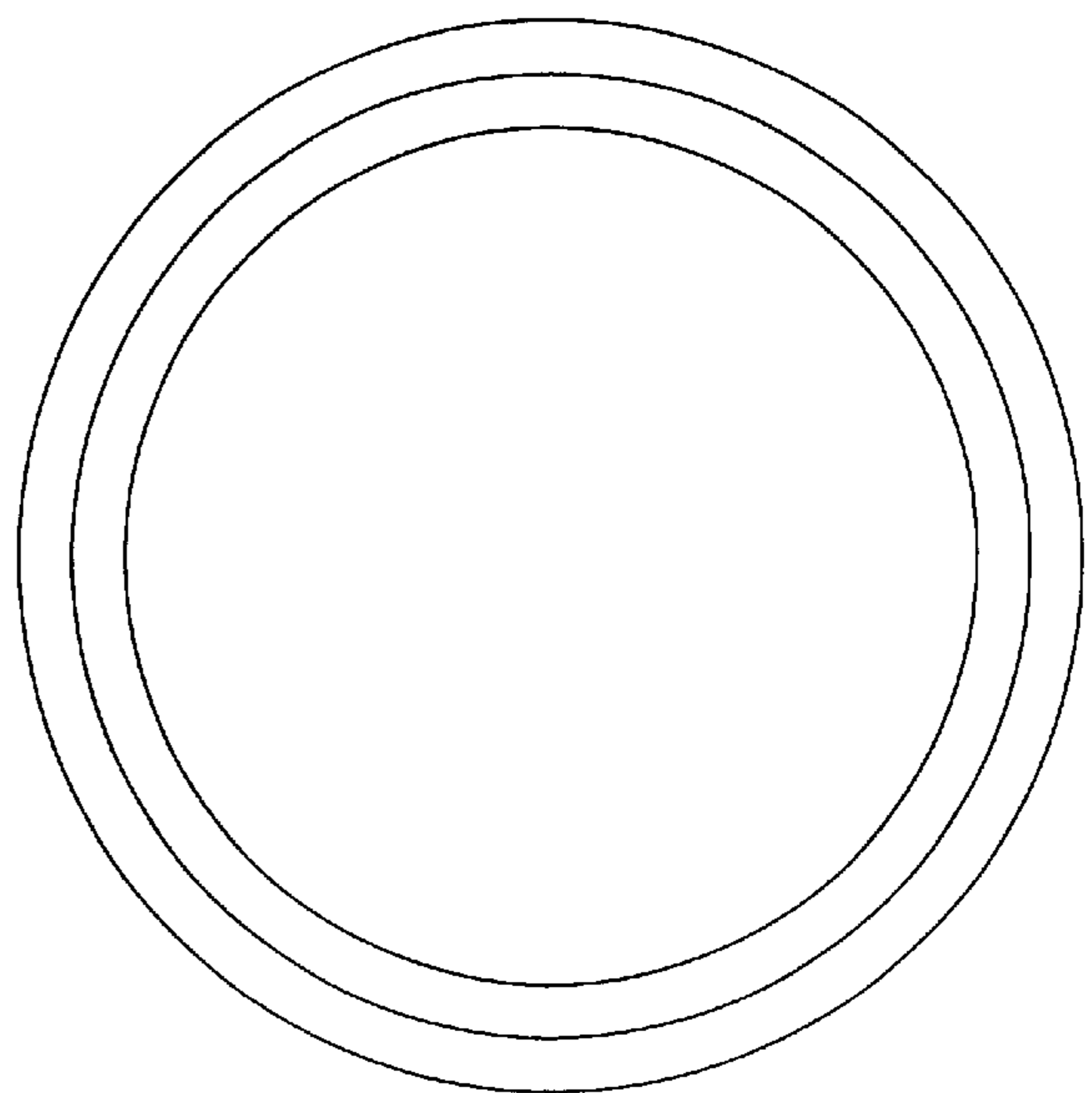


Fig. 7

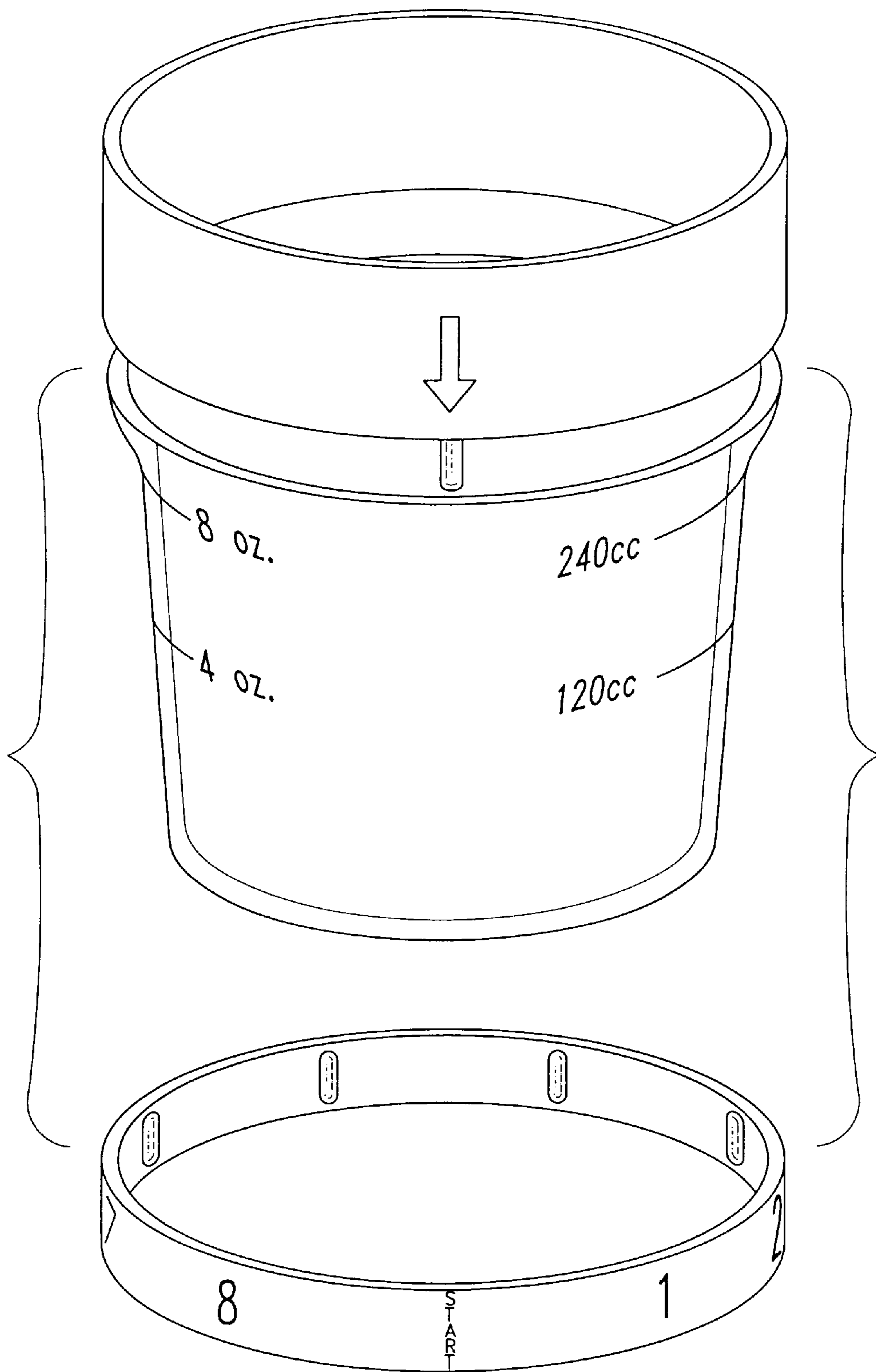


Fig. 8