



US00D451816B1

(12) **United States Design Patent**
Sato

(10) **Patent No.:** **US D451,816 S**

(45) **Date of Patent:** **** Dec. 11, 2001**

(54) **CLOCK**

3,509,715 * 5/1970 De Koster et al. 368/40

(75) Inventor: **Tetsunori Sato**, Fussa (JP)

OTHER PUBLICATIONS

(73) Assignee: **Casio Keisanki Kabushiki Kaisha**,
Tokyo (JP)

UNCO LEC Corporation, Aug. 1995, advertisement. See circled clock, top center.*

(**) Term: **14 Years**

* cited by examiner

(21) Appl. No.: **29/137,407**

Primary Examiner—Martie K. Holtje
(74) *Attorney, Agent, or Firm*—Frishauf, Holtz, Goodman, Langer & Chick, P.C.

(22) Filed: **Feb. 20, 2001**

(51) **LOC (7) Cl.** **10-01**

(52) **U.S. Cl.** **D10/15**

(58) **Field of Search** D10/1, 2, 3-15,
D10/16-18, 19-40, 122-132; 368/10, 28-30,
40, 41-44, 82-84, 239-242, 276, 277, 280-282,
285, 316, 317

(57) **CLAIM**

The ornamental design for a clock, as shown.

DESCRIPTION

(56) **References Cited**

U.S. PATENT DOCUMENTS

| | | | | | |
|------------|---|---------|--------------|-------|---------|
| D. 250,253 | * | 11/1978 | Booty | | D10/15 |
| D. 309,437 | * | 7/1990 | Ng | | D10/5 |
| D. 359,455 | * | 6/1995 | Wong | | D10/15 |
| D. 364,355 | * | 11/1995 | George | | D10/18 |
| 3,353,347 | * | 11/1967 | Gates et al. | | 368/240 |

FIG. 1 is a front elevational view of a clock, showing my new design;
FIG. 2 is a bottom plan view thereof;
FIG. 3 is a top plan view thereof;
FIG. 4 is a right side elevational view thereof;
FIG. 5 is a left side elevational view thereof;
FIG. 6 is a rear elevational view thereof; and,
FIG. 7 is a front, top and right side perspective view thereof.

1 Claim, 2 Drawing Sheets



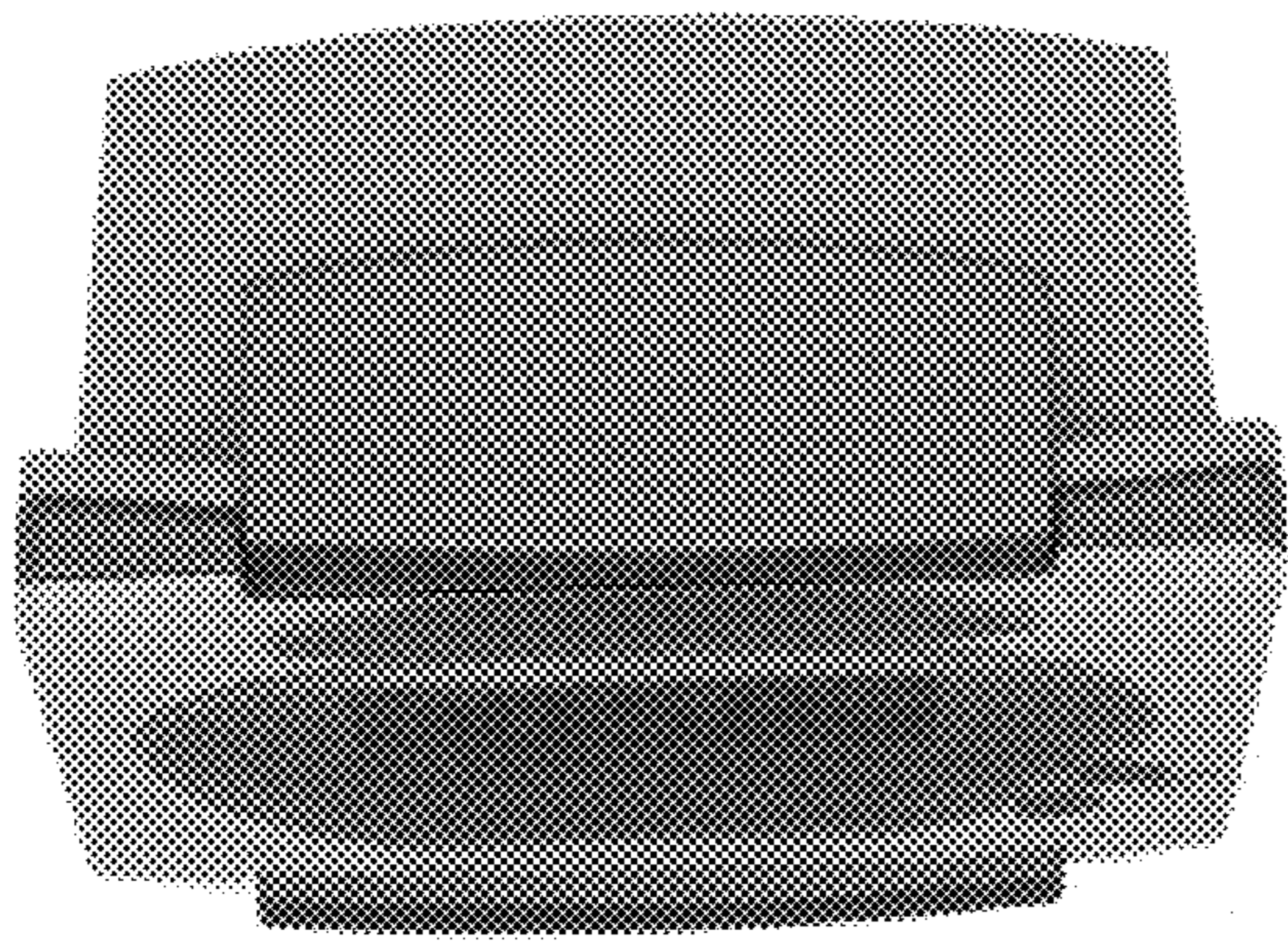


FIG. 2

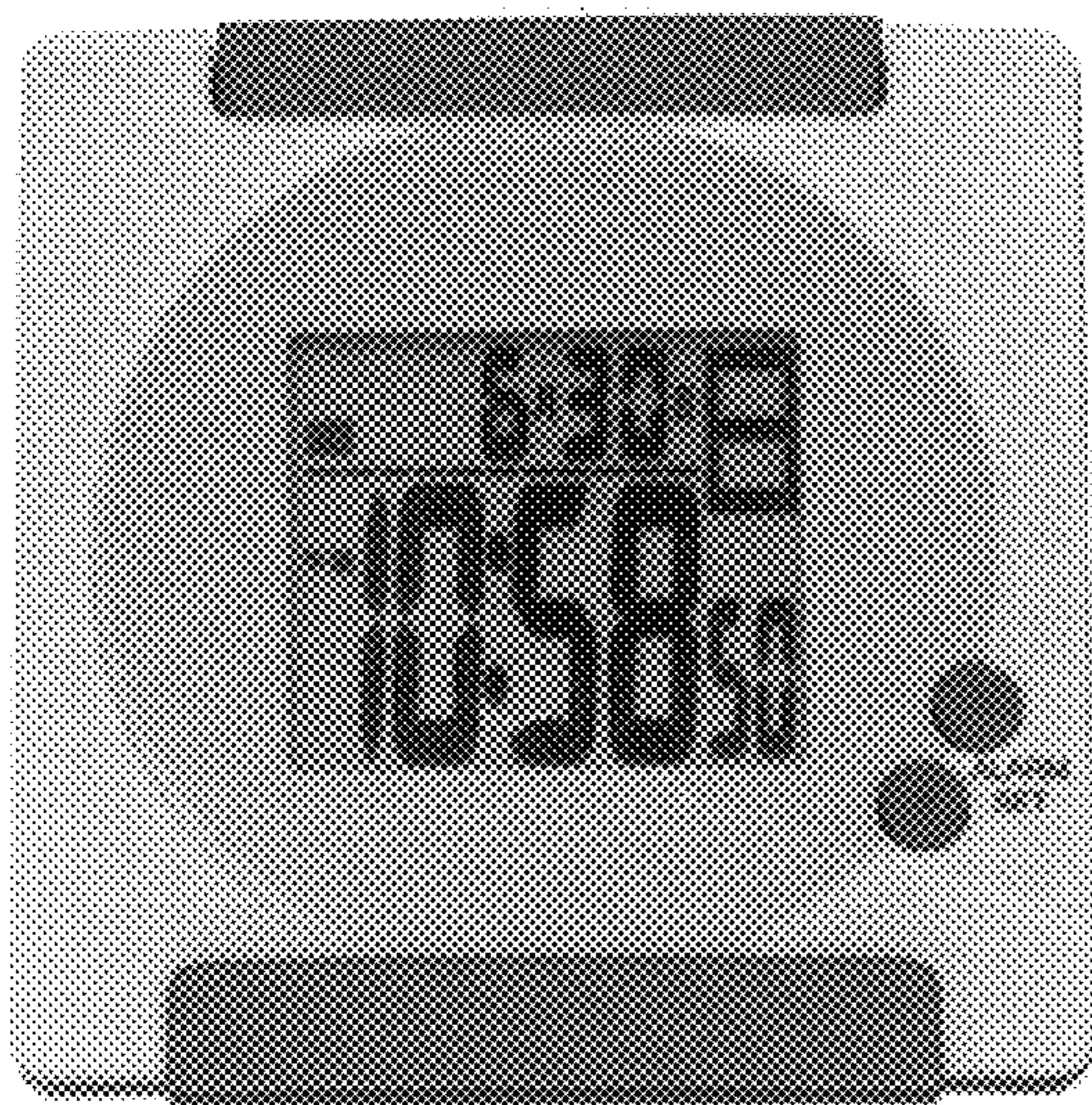


FIG. 1

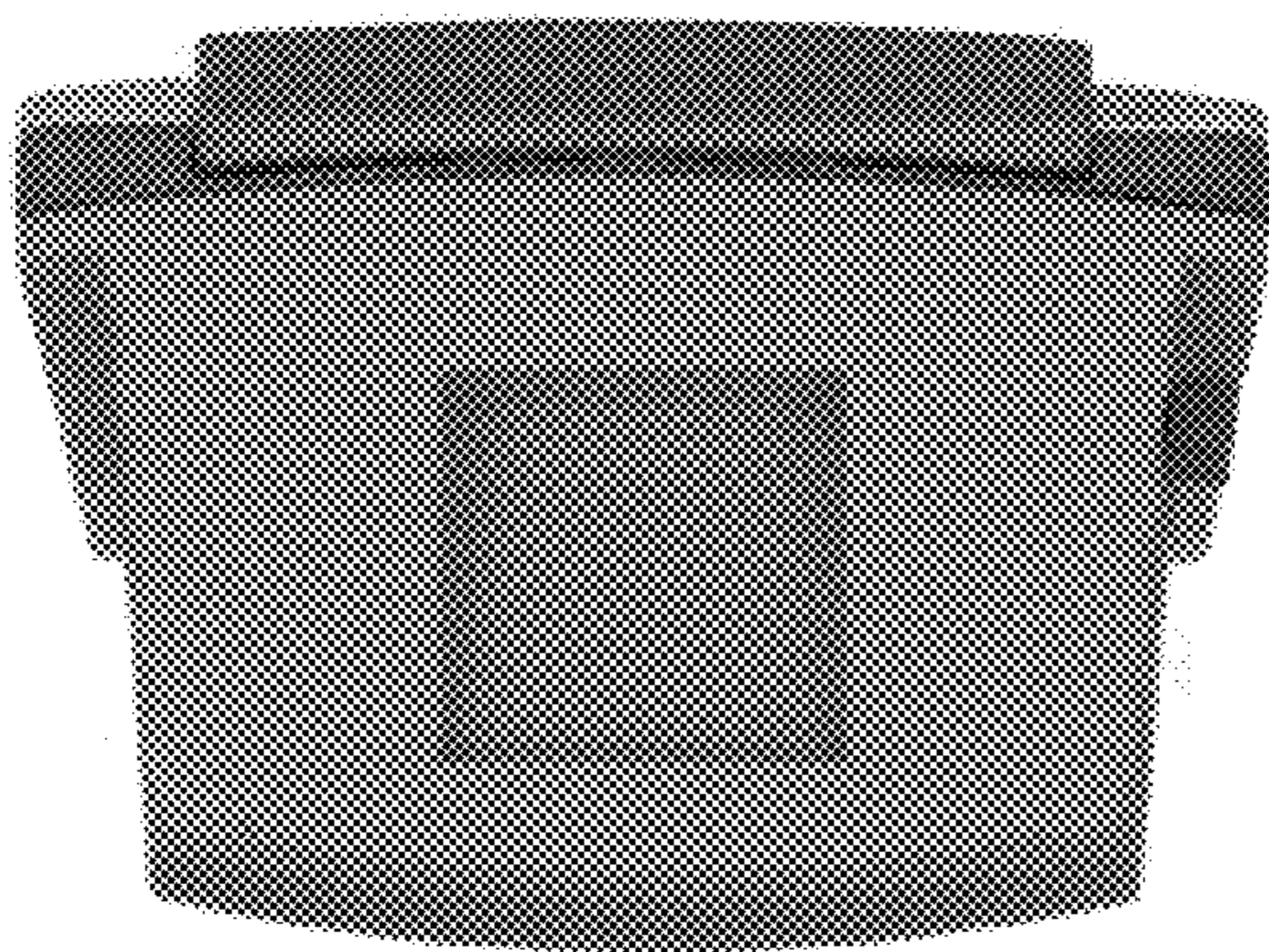


FIG. 3

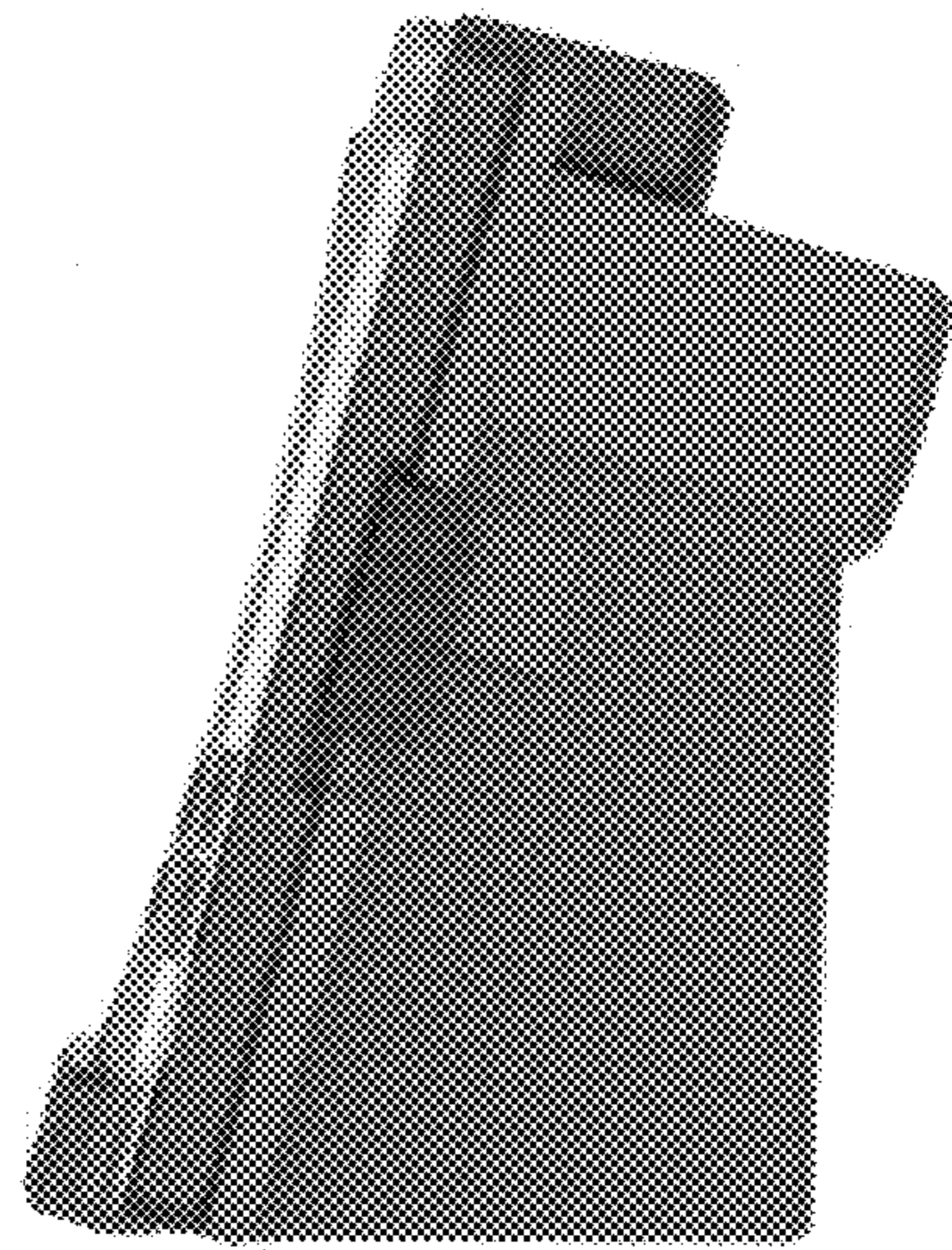


FIG. 4

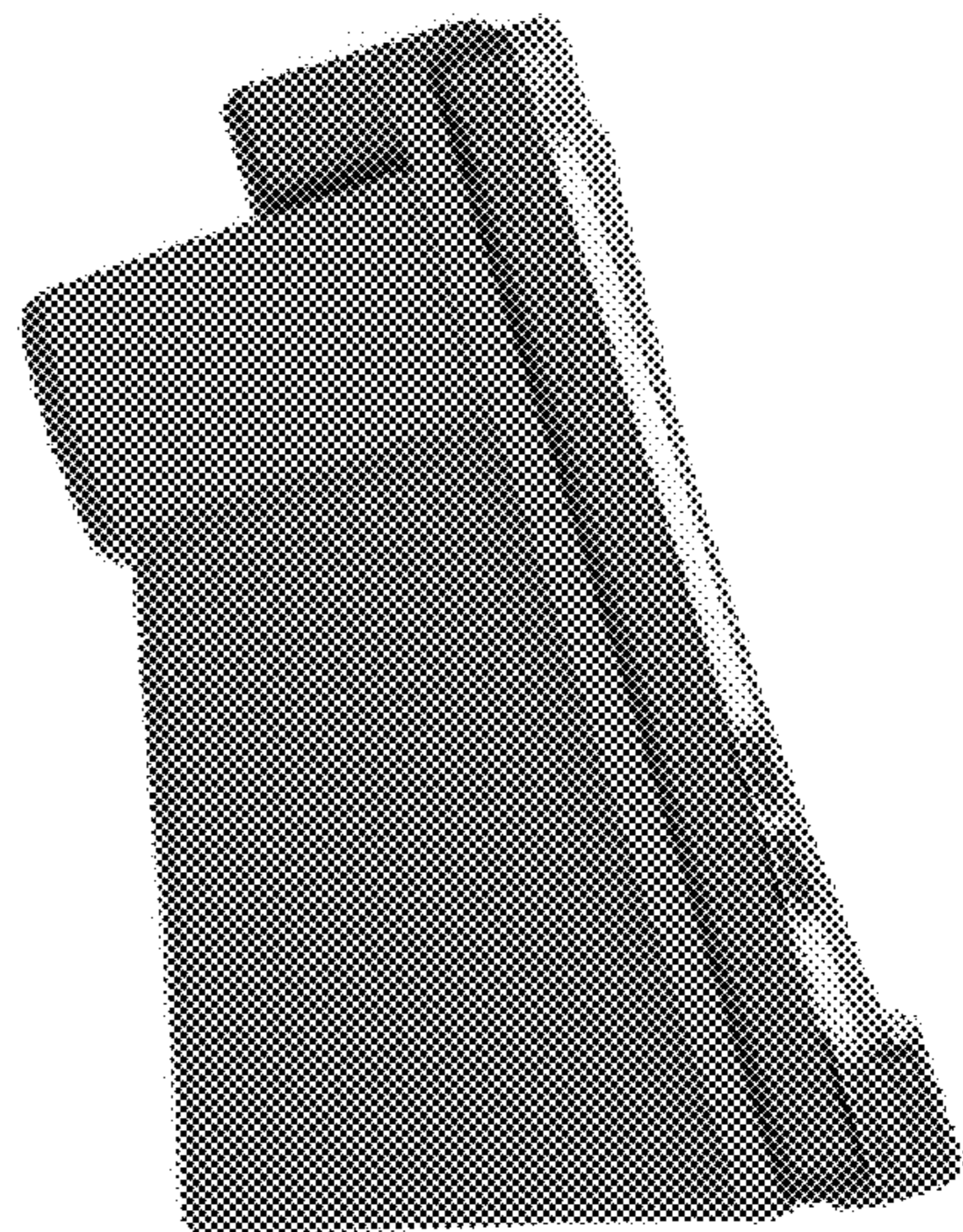


FIG. 5



FIG. 6



FIG. 7