



US00D451815B1

(12) **United States Design Patent**
Comer

(10) **Patent No.:** **US D451,815 S**

(45) **Date of Patent:** **** Dec. 11, 2001**

(54) **TIMEPIECE**

(76) **Inventor:** **Monicah A. Comer**, 7535 Shady Water
La., Centerville, OH (US) 45459

(**) **Term:** **14 Years**

(21) **Appl. No.:** **29/123,310**

(22) **Filed:** **May 15, 2000**

(51) **LOC (7) Cl.** **10-00**

(52) **U.S. Cl.** **D10/6**

(58) **Field of Search** D10/1-5, 6-29,
D10/30-40, 122-132; 368/10, 276, 277,
285, 316, 317

(56) **References Cited**

U.S. PATENT DOCUMENTS

D. 87,293	*	7/1932	Abel	D10/22
D. 106,040	*	9/1937	Henschel	D10/23
D. 117,903	*	12/1939	Kooluris	D10/6
D. 270,899	*	10/1983	Huang	D10/2
D. 282,912	*	3/1986	Clepea	D10/6
D. 303,219	*	9/1989	Papaefstathiou	D10/6
D. 335,458	*	5/1993	Balaban	D10/6

D. 350,699	*	9/1994	Lincourt	D10/6
D. 404,652	*	1/1999	Werginz	D10/6

* cited by examiner

Primary Examiner—Martie K. Holtje

(74) *Attorney, Agent, or Firm*—Knobbe, Martens, Olson & Bear, LLP

(57) **CLAIM**

The ornamental design for a timepiece, as shown and described.

DESCRIPTION

FIG. 1 is a front elevational view of a timepiece showing my new design;

FIG. 2 is a rear elevational view;

FIG. 3 is a left side elevational view;

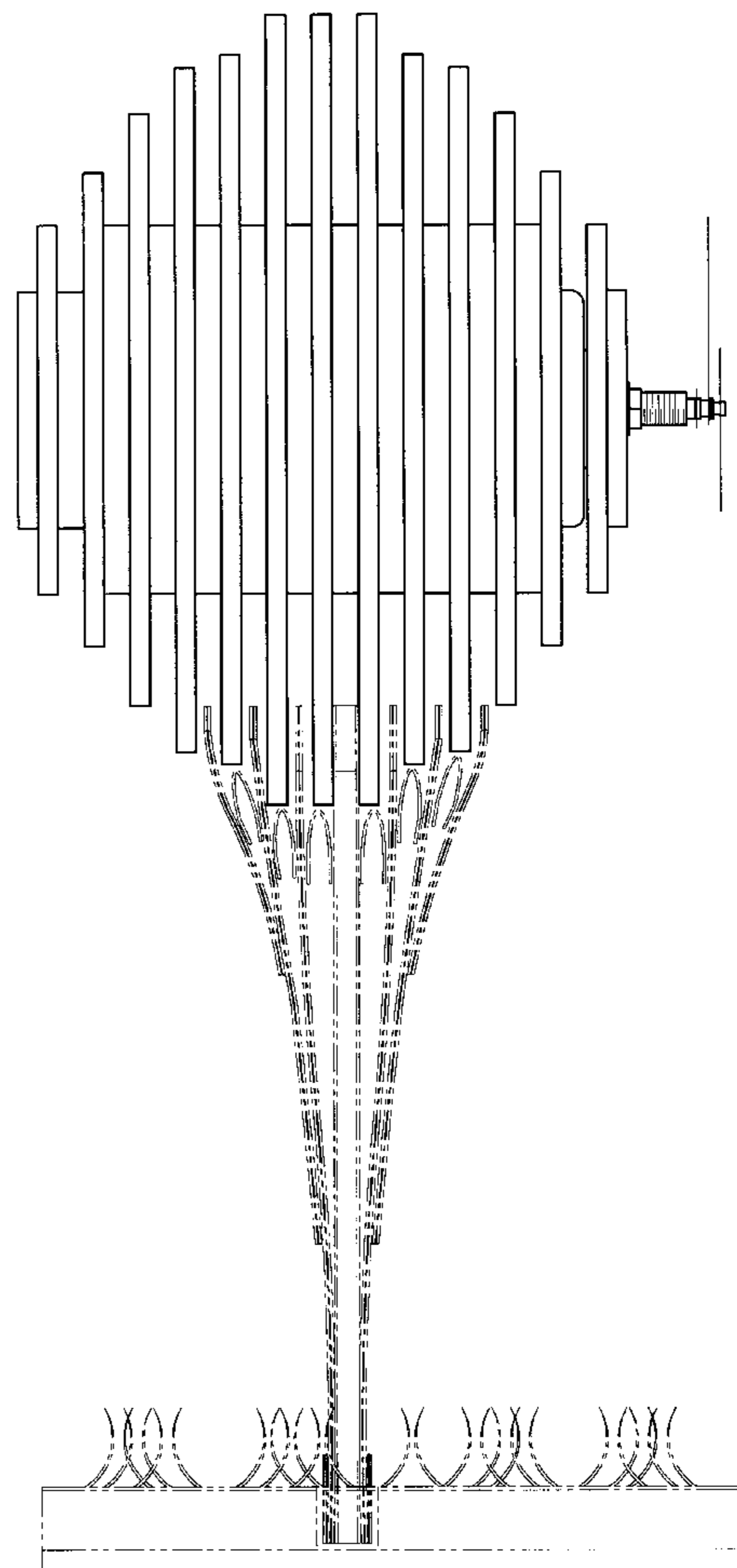
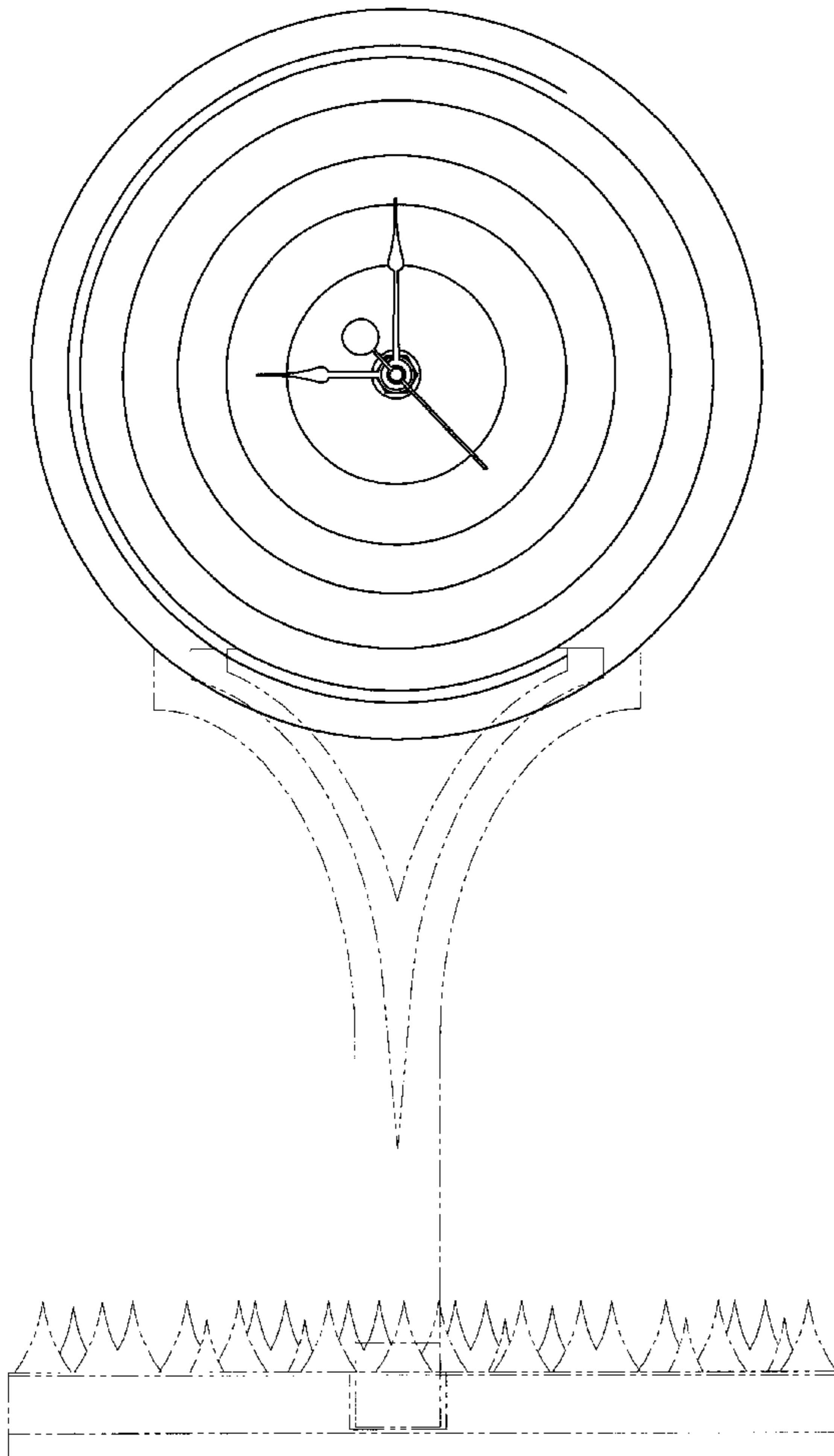
FIG. 4 is a right side elevational view;

FIG. 5 is a top plan view; and,

FIG. 6 is a bottom plan view thereof.

The structure depicted by means of broken lines has been shown for illustrative purposes only and forms no part of the claimed design.

1 Claim, 6 Drawing Sheets



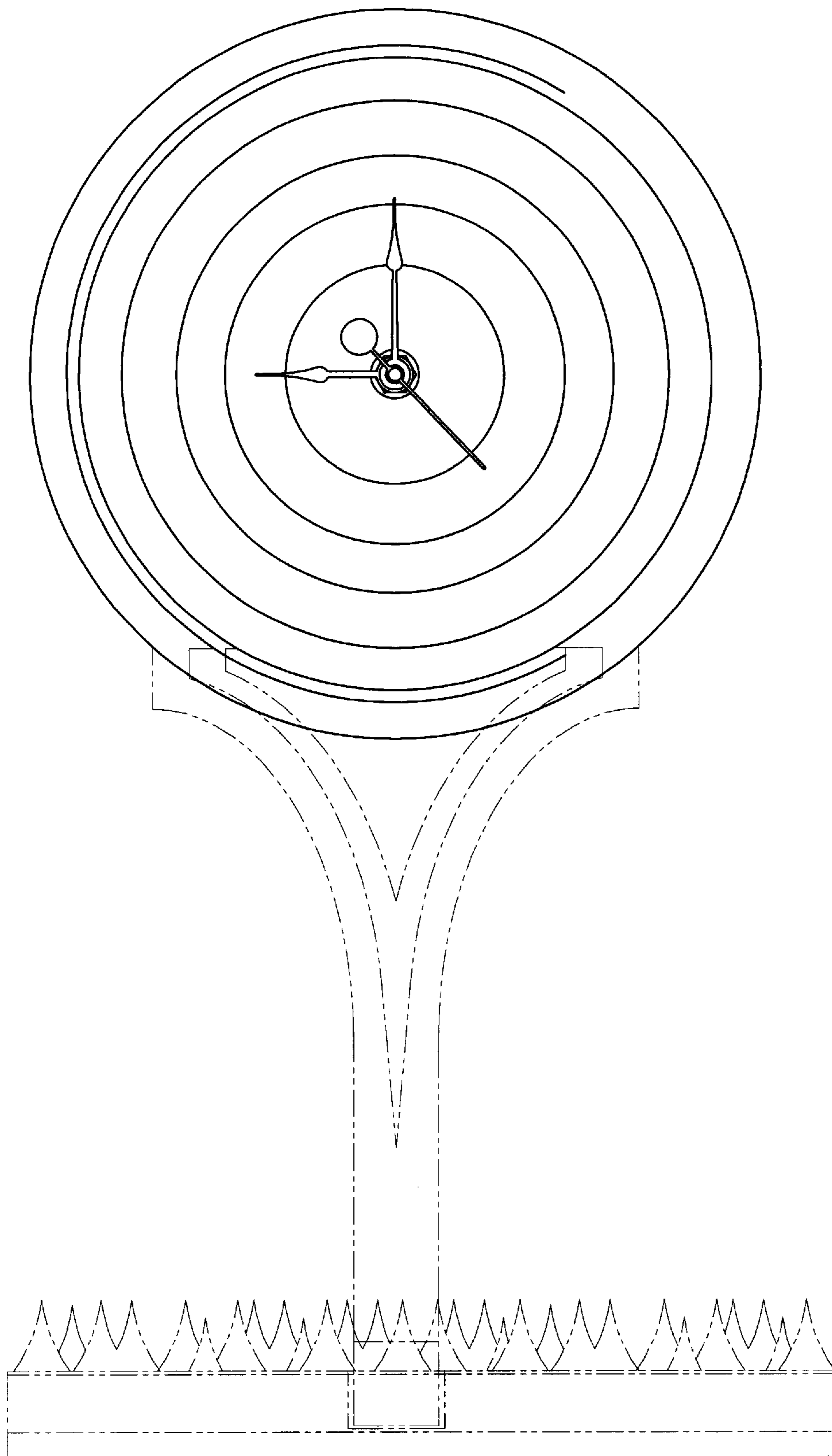


FIG. 1

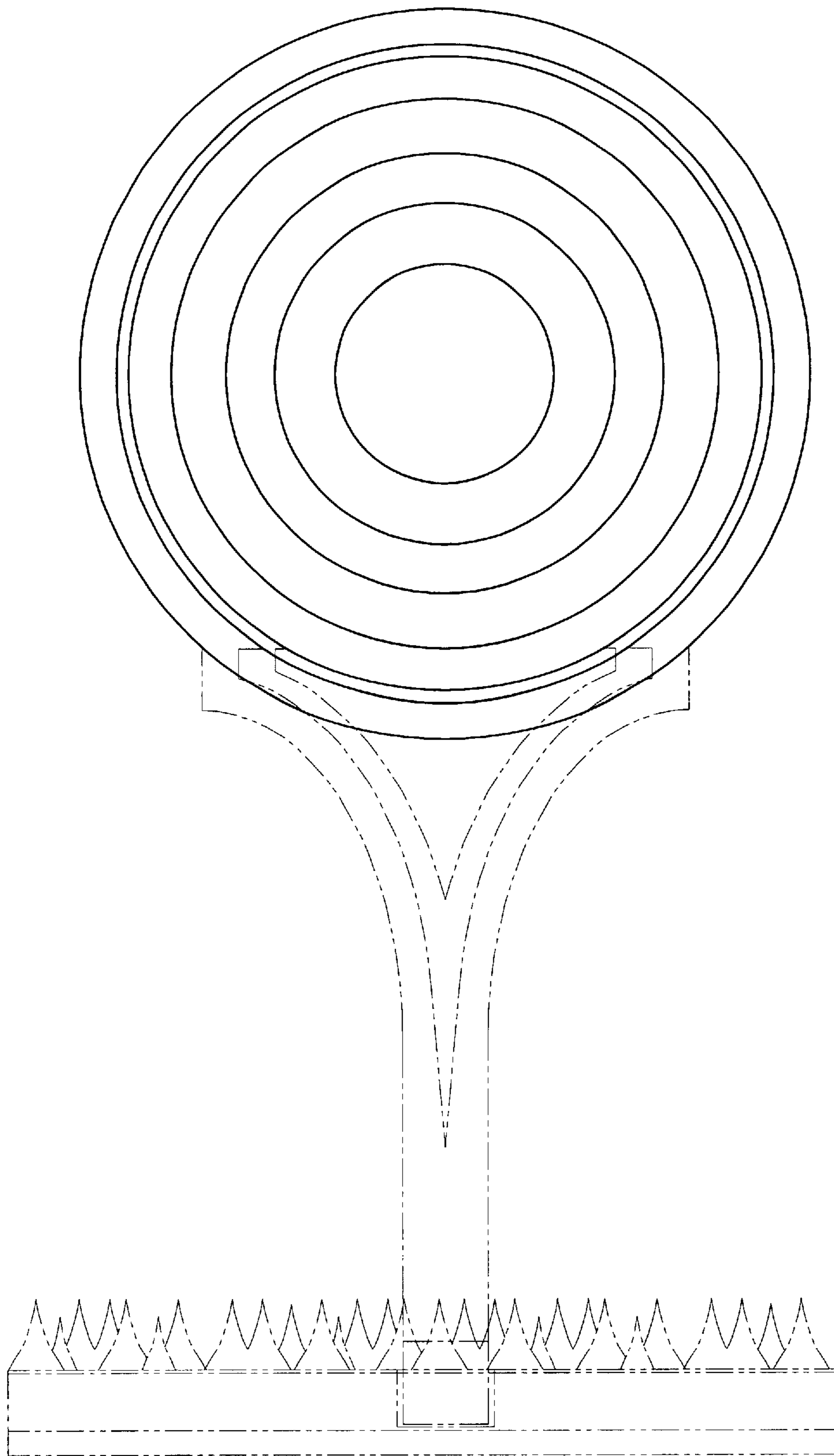


FIG. 2

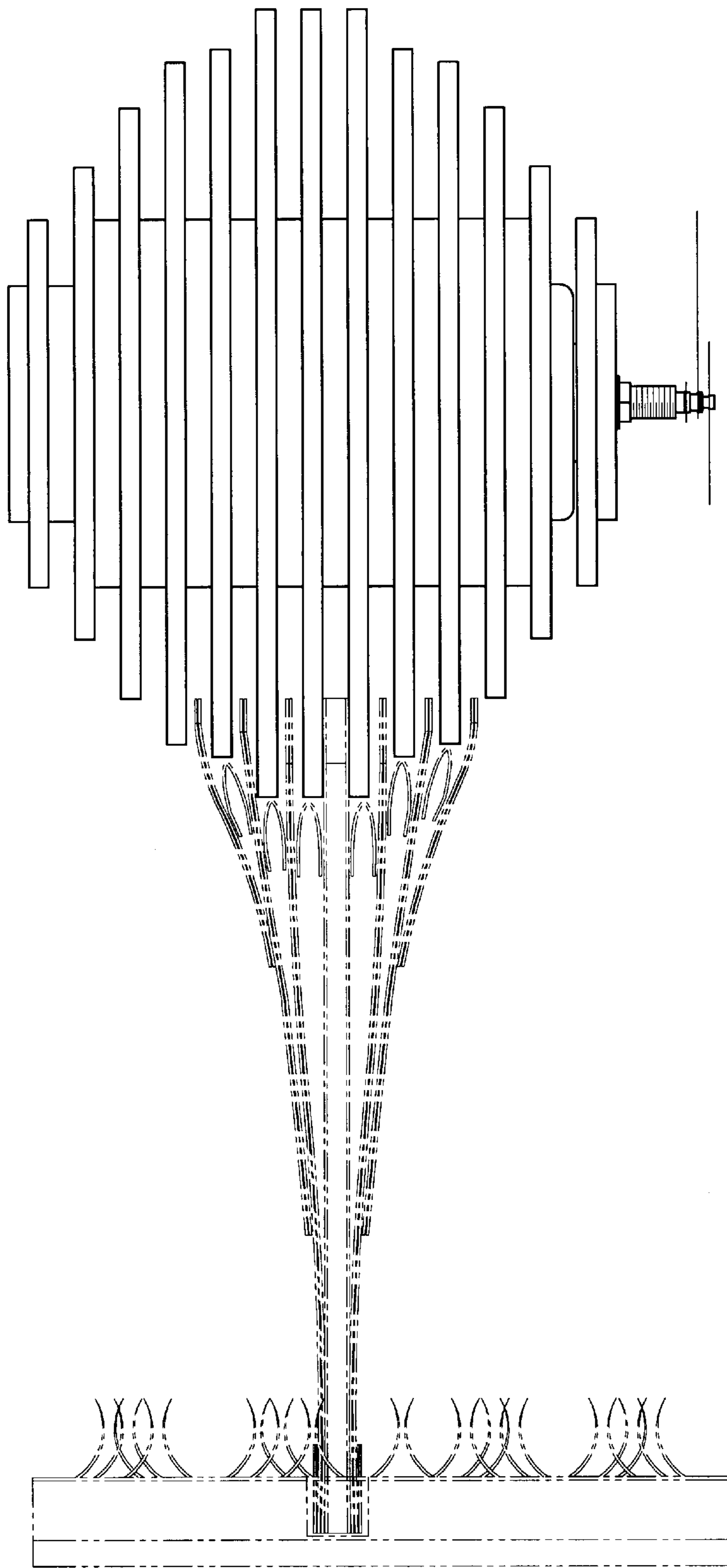


FIG. 3

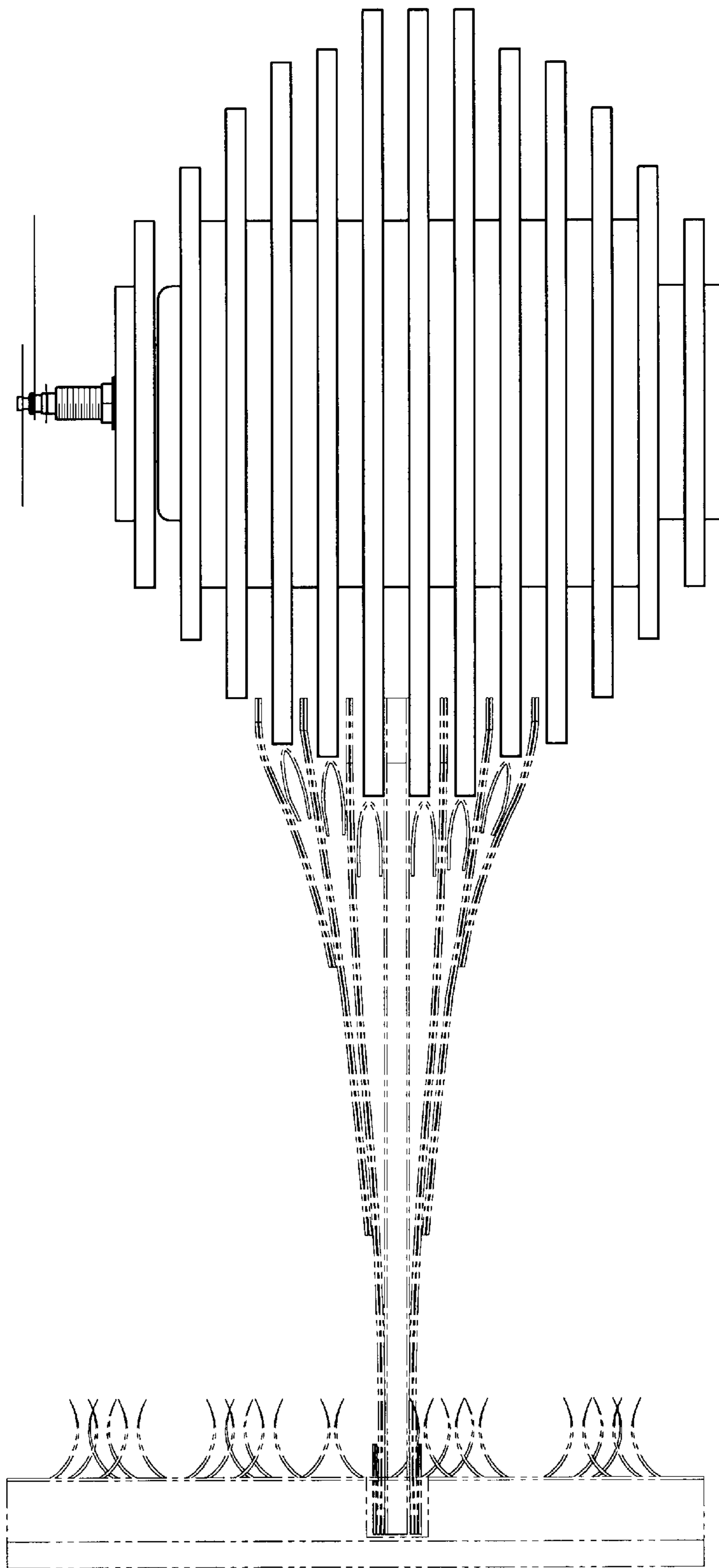


FIG. 4

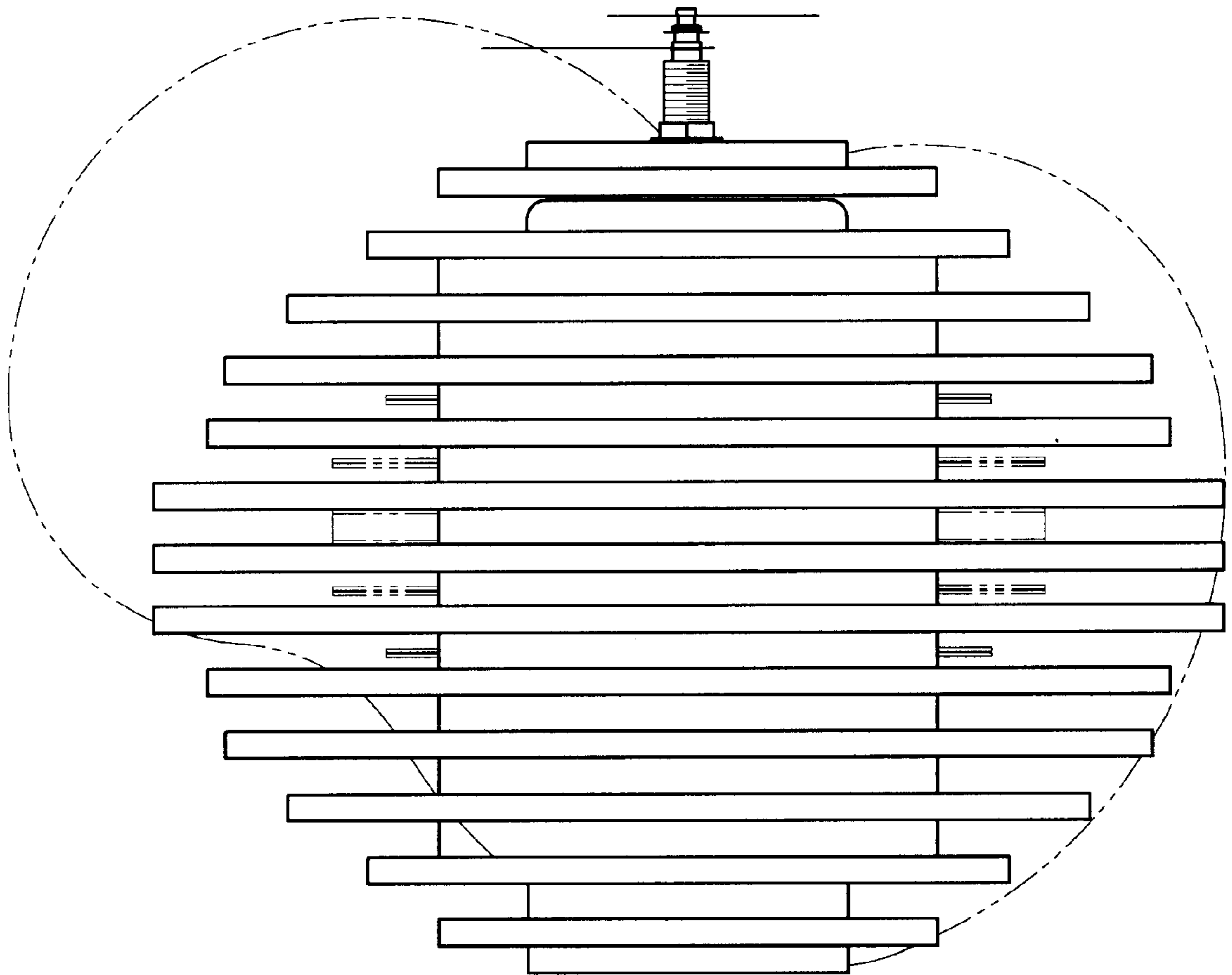


FIG. 5

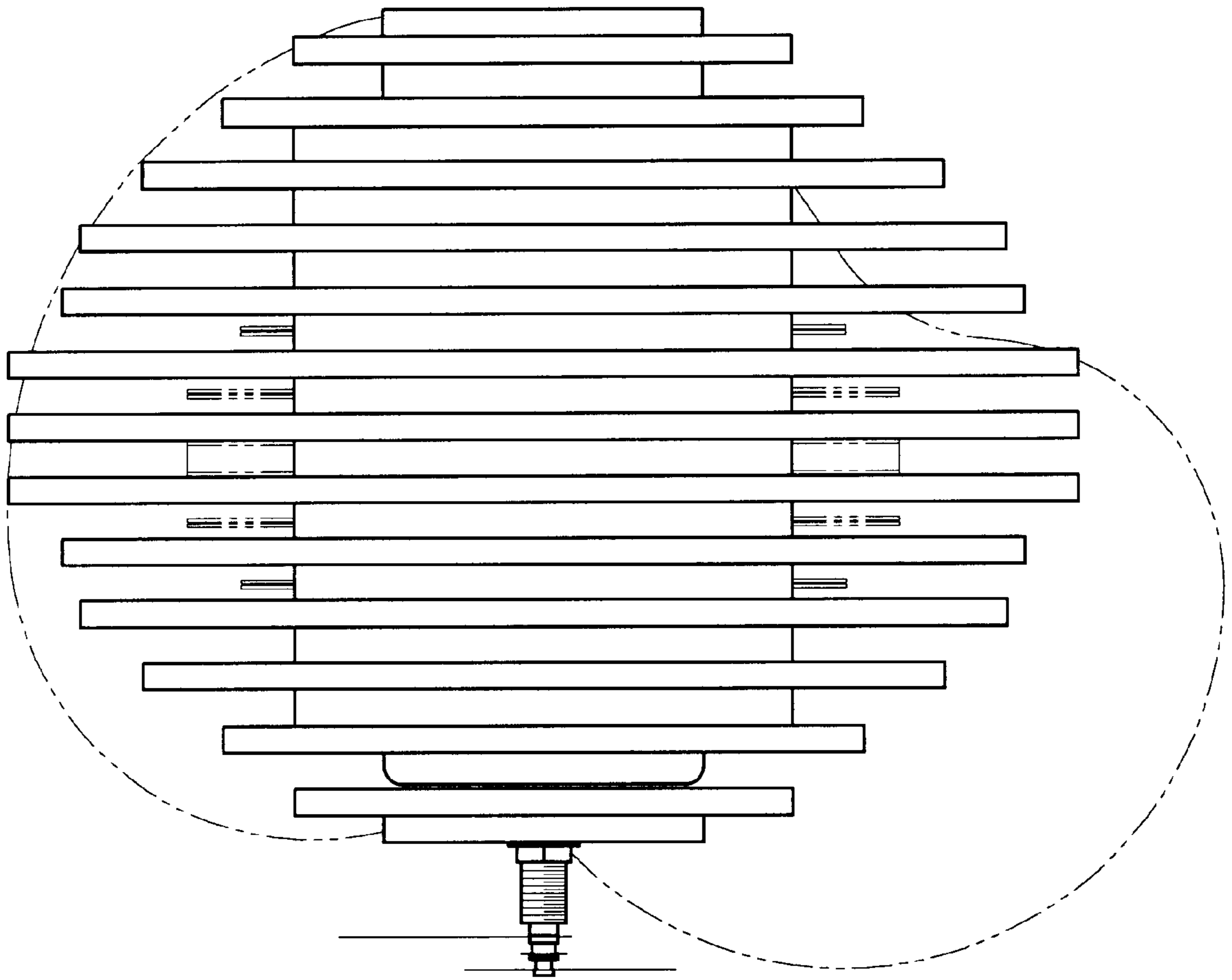


FIG. 6