



US00D451802B1

(12) **United States Design Patent**
Dardashti

(10) **Patent No.:** **US D451,802 S**

(45) **Date of Patent:** **** Dec. 11, 2001**

(54) **TRANSPARENT DISPLAY AND STORAGE BOX**

(76) **Inventor:** **Shahriar Dardashti**, c/o Atlantic, Inc.,
P.O. Box 2399, Santa Fe Springs, CA
(US) 90670

(**) **Term:** **14 Years**

(21) **Appl. No.:** **29/134,168**

(22) **Filed:** **Dec. 14, 2000**

Related U.S. Application Data

(62) Division of application No. 29/115,119, filed on Dec. 8, 1999, now Pat. No. Des. 444,061.

(51) **LOC (7) Cl.** **09-03**

(52) **U.S. Cl.** **D9/430**

(58) **Field of Search** D9/337, 415, 418,
D9/424, 430-433; 229/108, 115; 206/551;
D6/407, 468, 474

(56) **References Cited**

U.S. PATENT DOCUMENTS

- Re. 33,294 * 8/1990 Fujii et al. 206/387.1
- D. 194,198 * 12/1962 Van Dyck D9/418
- D. 216,843 * 3/1970 Lew D9/431

(List continued on next page.)

OTHER PUBLICATIONS

Prior Art—FIG. 1, FIG. 2, FIG. 3.

Primary Examiner—Adir Aronovich

Assistant Examiner—Carol Rademaker

(74) *Attorney, Agent, or Firm*—Oppenheimer Wolff & Donnelly LLP

(57) **CLAIM**

The ornamental design for a transparent display and storage box, as shown and described.

DESCRIPTION

FIG. 1 is a perspective view of a transparent display and storage box of the present invention;

FIG. 2 is a front elevational view thereof;

FIG. 3 is an enlarged view taken on circle 3 of FIG. 2;

FIG. 4 is a cross-sectional view taken on line 4—4 of FIG. 3;

FIG. 5 is a left side elevational view thereof, the right side elevational view being a mirror image thereof;

FIG. 6 is an enlarged view taken on the circle 6 of FIG. 5;

FIG. 7 is a cross-sectional view taken on line 7—7 of FIG. 6;

FIG. 8 is an enlarged view taken on circle 8 of FIG. 5;

FIG. 9 is a cross-sectional view taken on line 9—9 of FIG. 8;

FIG. 10 is a rear elevational view thereof;

FIG. 11 is an enlarged view taken on circle 11 of FIG. 10;

FIG. 12 is a cross-sectional view taken online 12—12 of FIG. 11;

FIG. 13 is an enlarged view taken on circle 13 of FIG. 10;

FIG. 14 is a cross-sectional view taken on line 14—14 of FIG. 13;

FIG. 15 is a bottom plan view thereof; the top view being a mirror image thereof;

FIG. 16 is an enlarged view taken on circle 16 of FIG. 15;

FIG. 17 is a cross-sectional view taken on line 17—17 of FIG. 16;

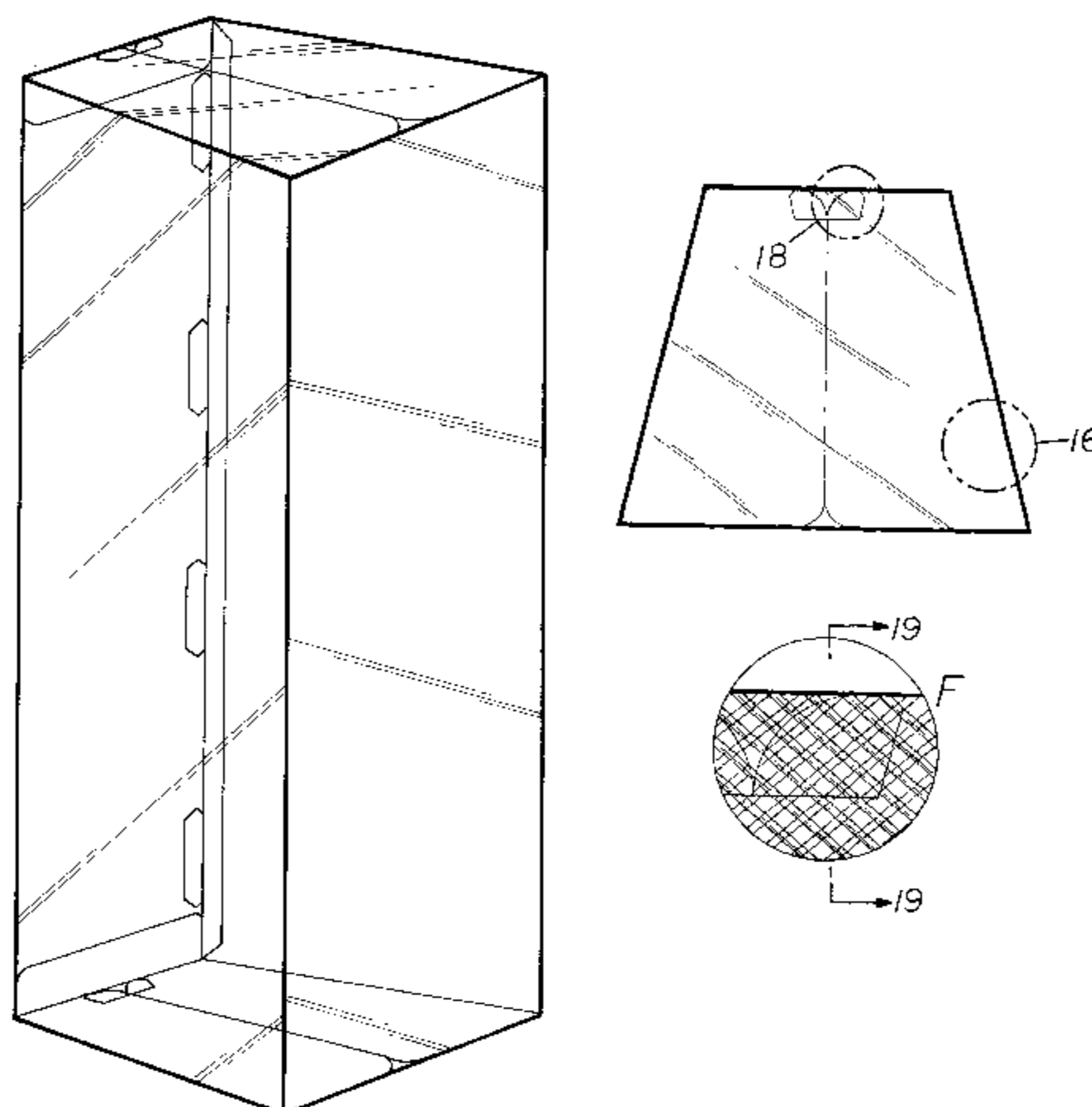
FIG. 18 is an enlarged view taken on circle 18 of FIG. 15;

FIG. 19 is a cross-sectional view taken on line 19—19 of FIG. 18; and,

FIG. 20 is a top plan view of the box shown in an unfolded flat position.

The pattern of ribs on the transparent display and storage box, shown in FIG. 20 in unfolded condition, and in the enlarged views of FIGS. 3, 4, 6-9, 11-14 and 16-19 has been omitted in FIGS. 1, 2, 5, 10 and 15 for clarity of illustration.

1 Claim, 6 Drawing Sheets



US D451,802 S

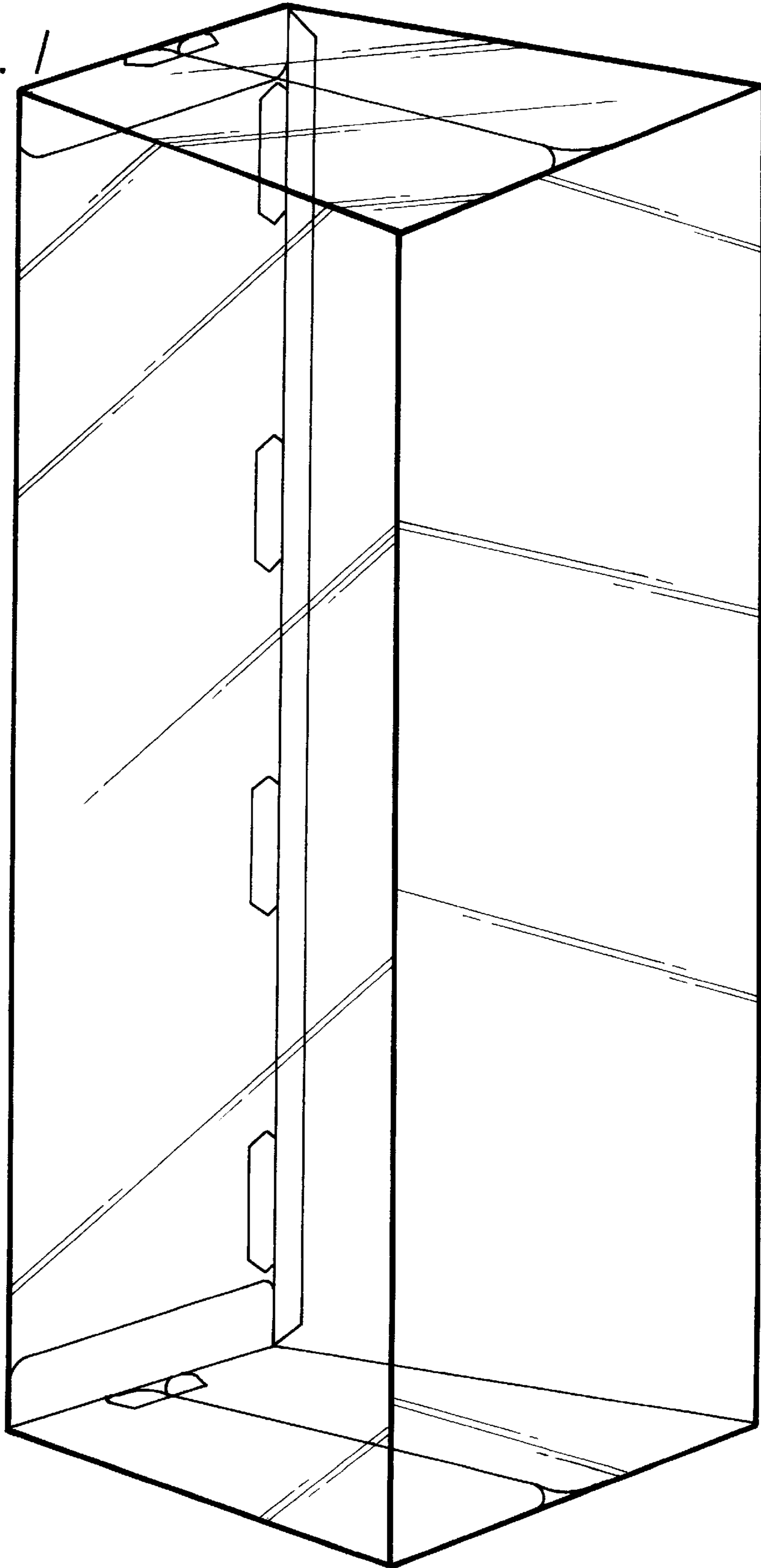
Page 2

U.S. PATENT DOCUMENTS

D. 278,125	*	3/1985	Benham	D9/418	687,968	*	12/1901	Reber	206/8
D. 327,189		6/1992	McPherson et al.	D6/474	1,089,593	*	3/1914	Skall	312/114
D. 356,033		3/1995	Horvat et al.	D9/430	1,598,235		8/1926	Barbieri .	
D. 384,583	*	10/1997	Green et al.	D9/431	1,851,217	*	3/1932	Stern	206/8
D. 401,852	*	12/1998	Teags	D9/431	1,996,097	*	4/1935	Carruth	229/117.14
D. 425,415		5/2000	Kumakura et al.	D9/415	2,885,135	*	5/1959	Friday	D9/423
D. 429,462		8/2000	Kumakura et al.	D9/415	2,950,850	*	8/1960	Corcoran	229/120
D. 429,637		8/2000	Kumakura et al.	D9/415	4,105,152	*	8/1978	Elward	229/23 BT
D. 431,936		10/2000	Moen et al.	D6/461	5,358,124		10/1994	Mueller	211/41
D. 438,463	*	3/2001	Schill et al.	D9/416	5,788,088		8/1998	Kao	211/40
443,397		12/1890	Mack .		6,126,020		10/2000	Mok	211/40
666,352	*	1/1901	Perry	229/8					

* cited by examiner

FIG. 1



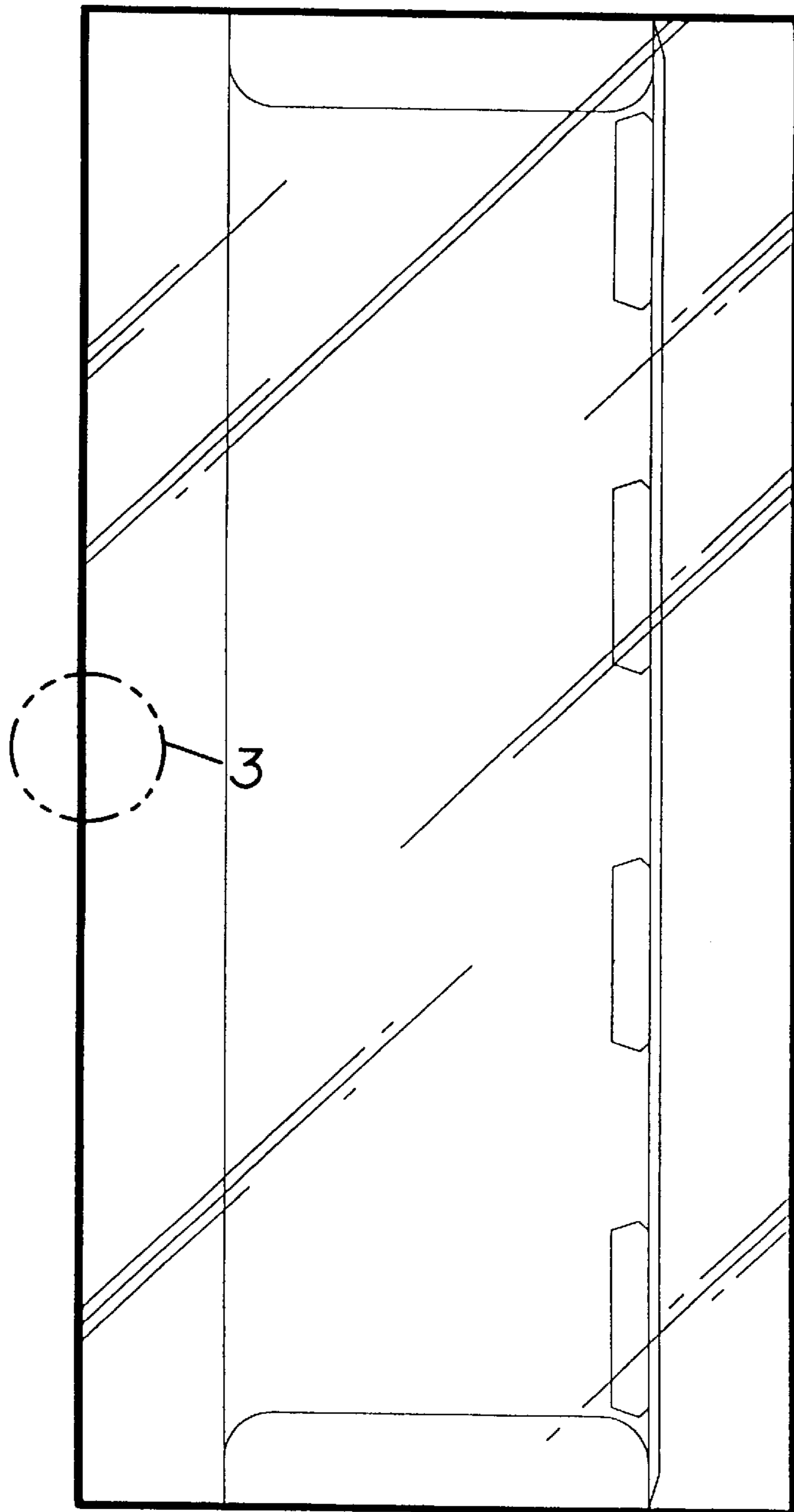


FIG. 2

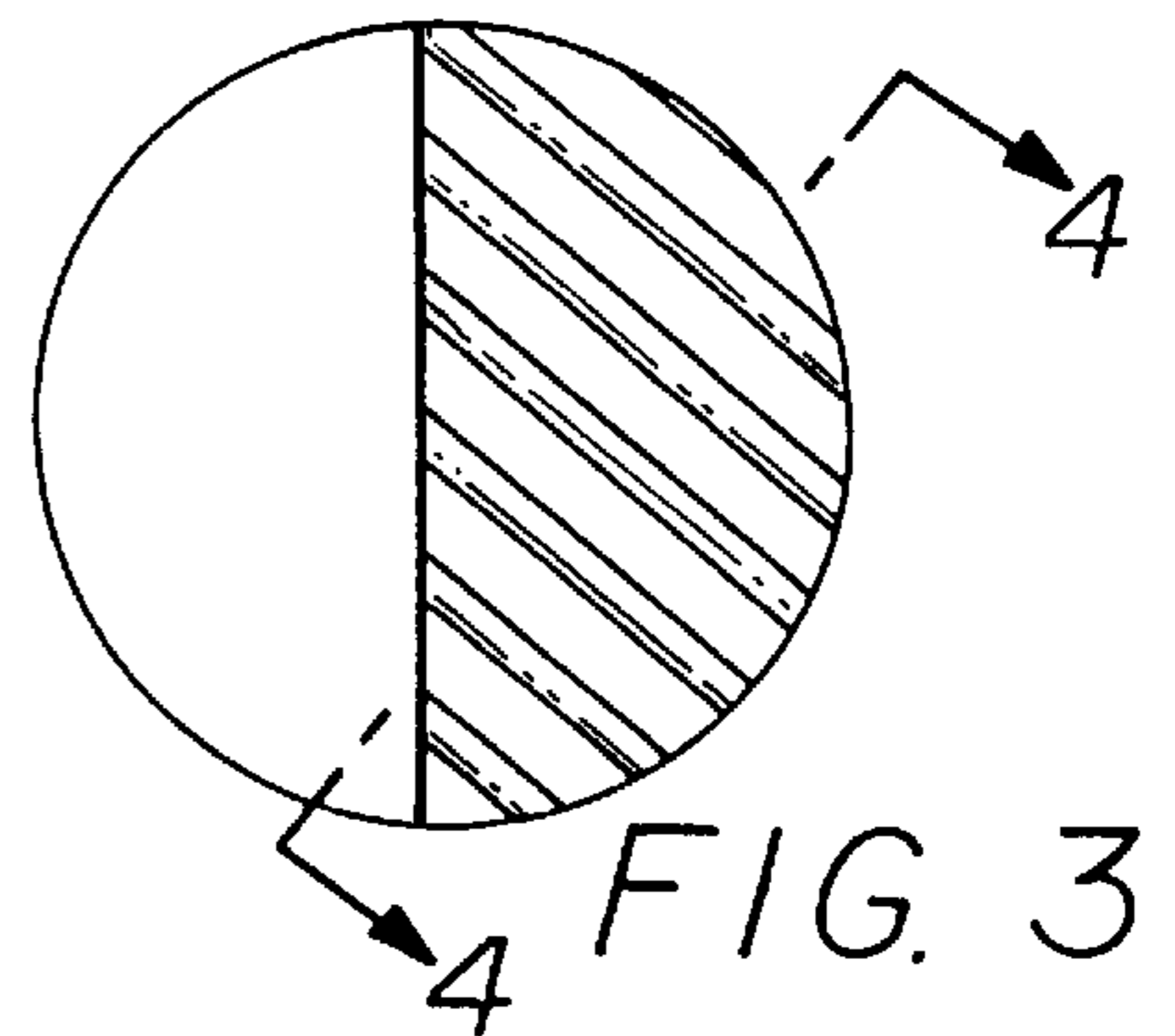


FIG. 3



FIG. 4

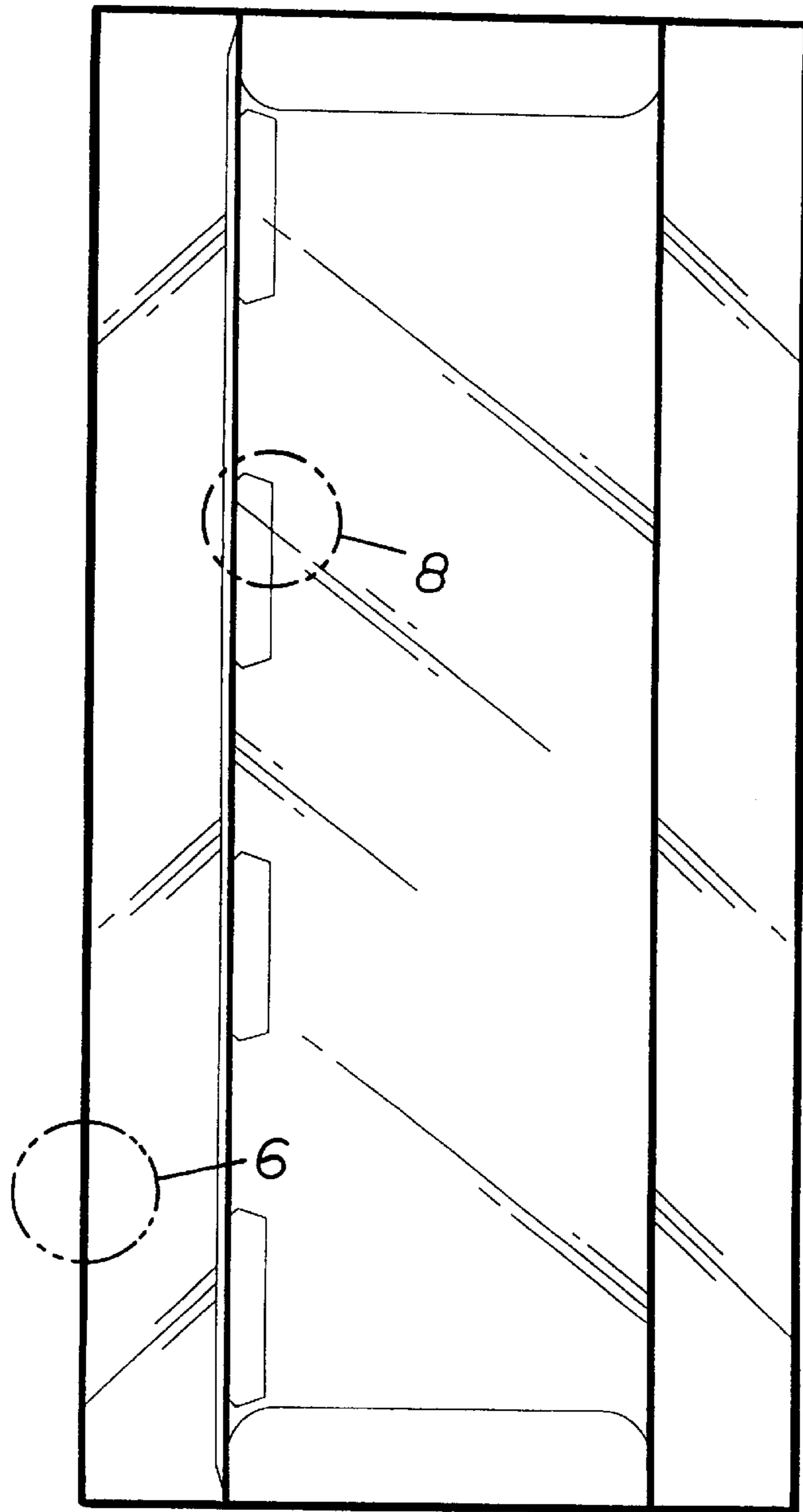


FIG. 5

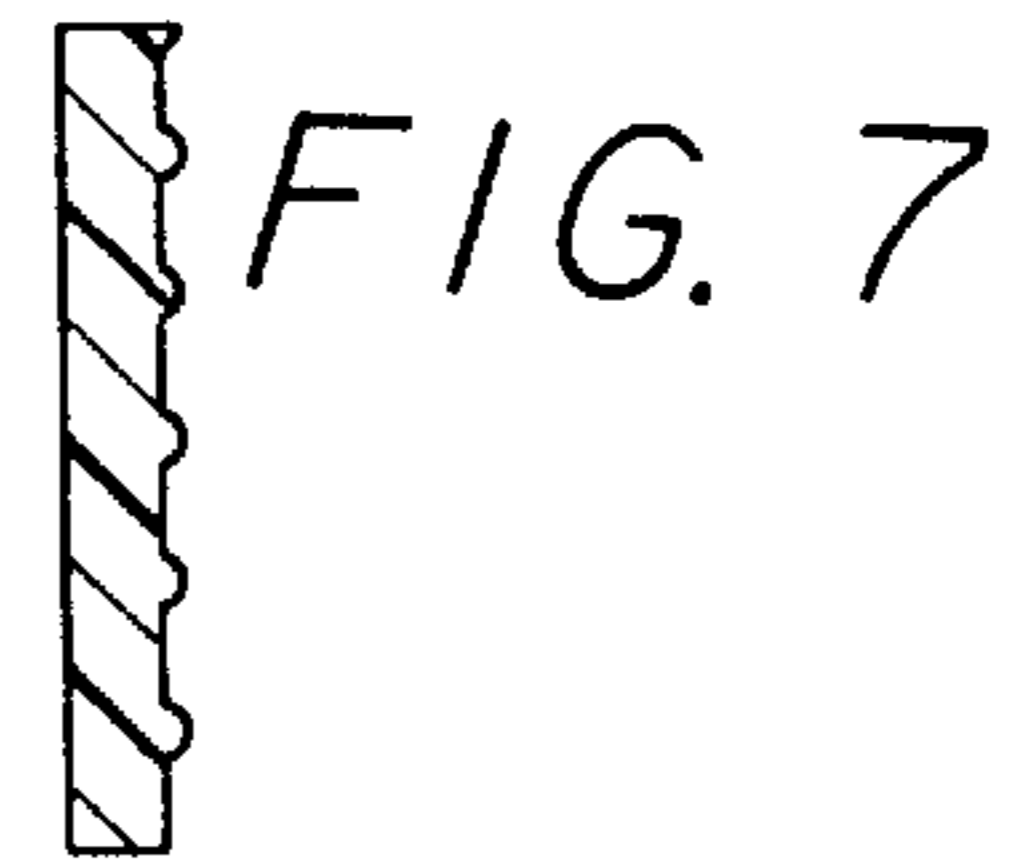


FIG. 7

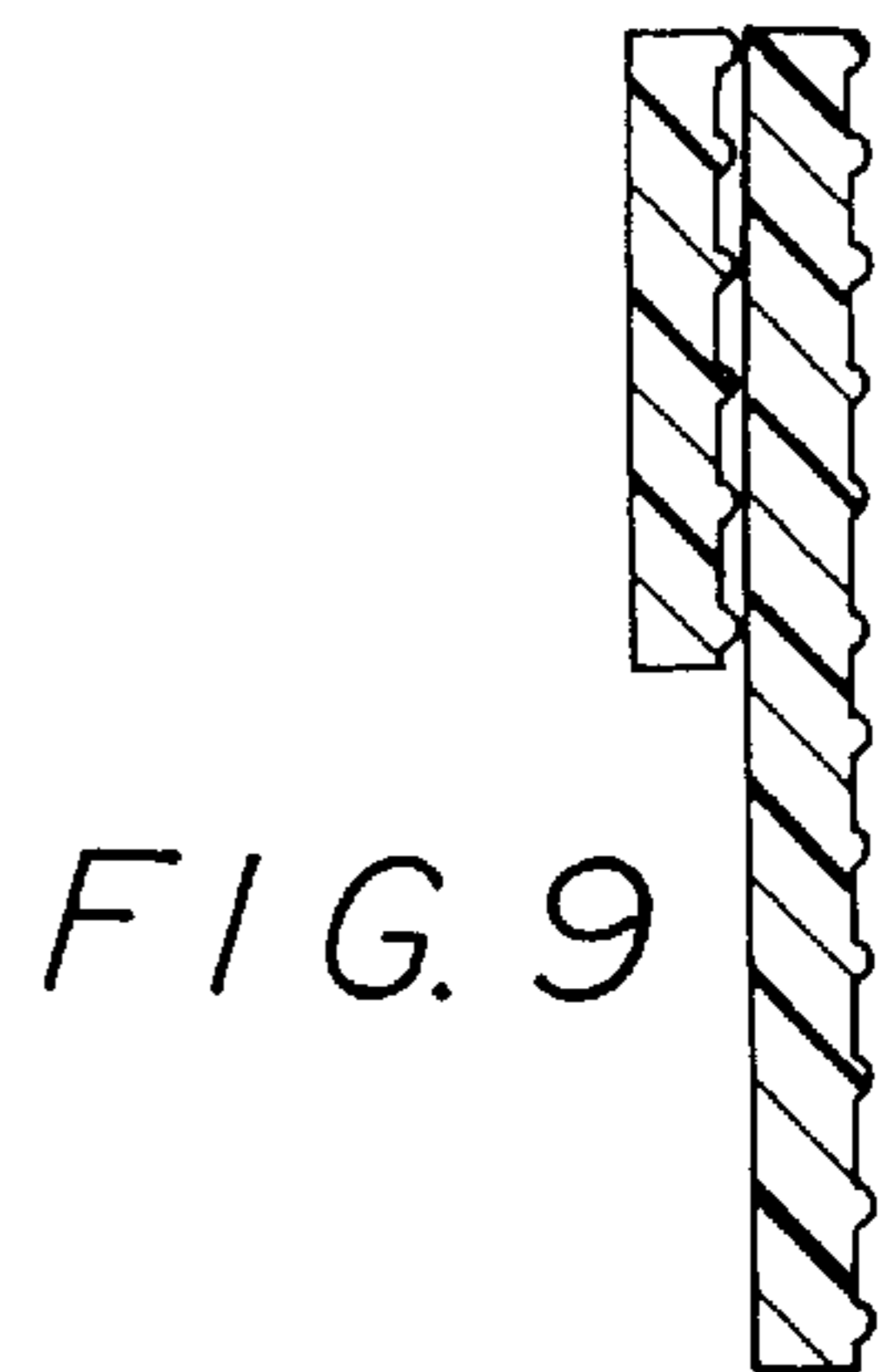


FIG. 9

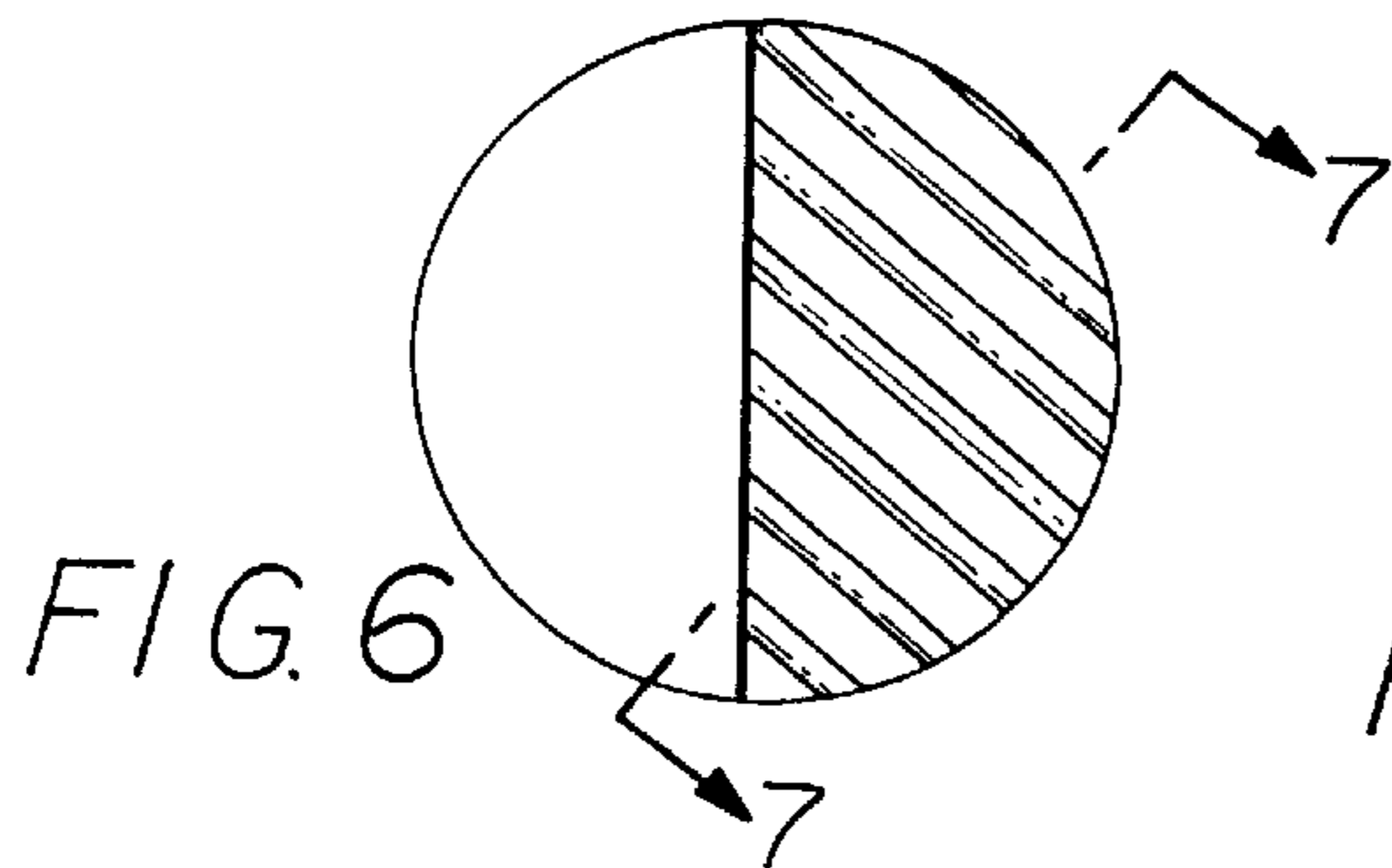


FIG. 6

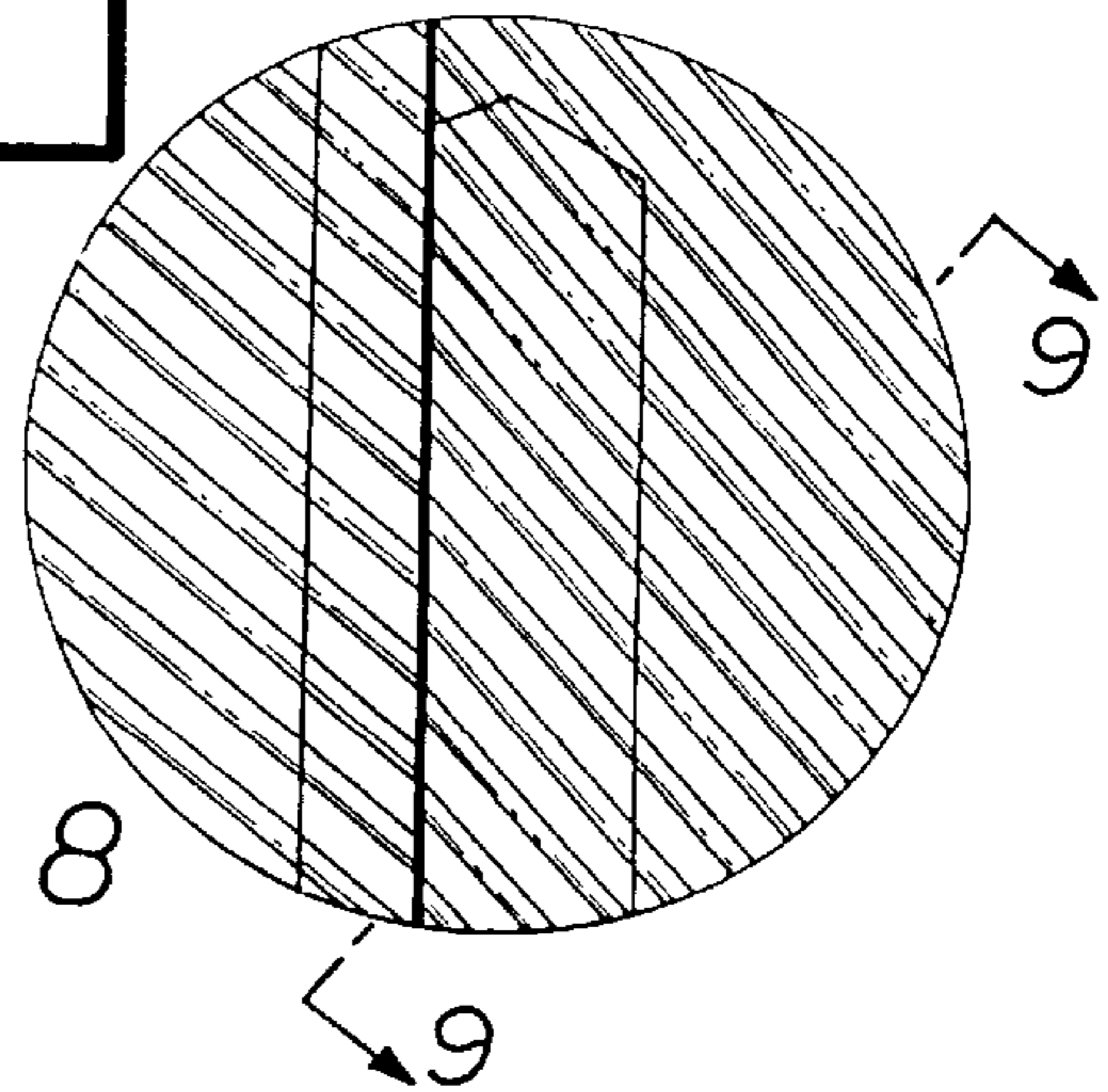


FIG. 8

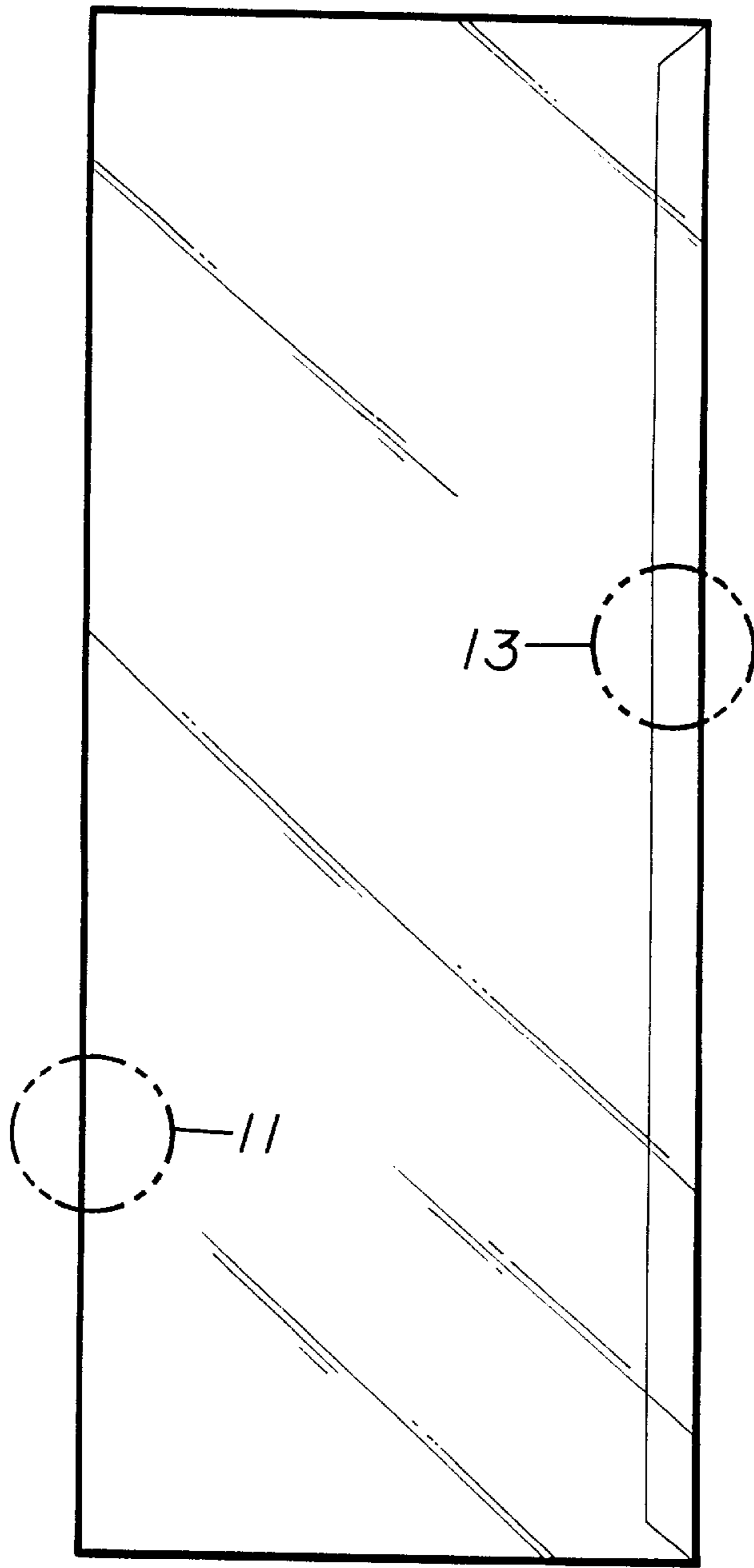


FIG. 10

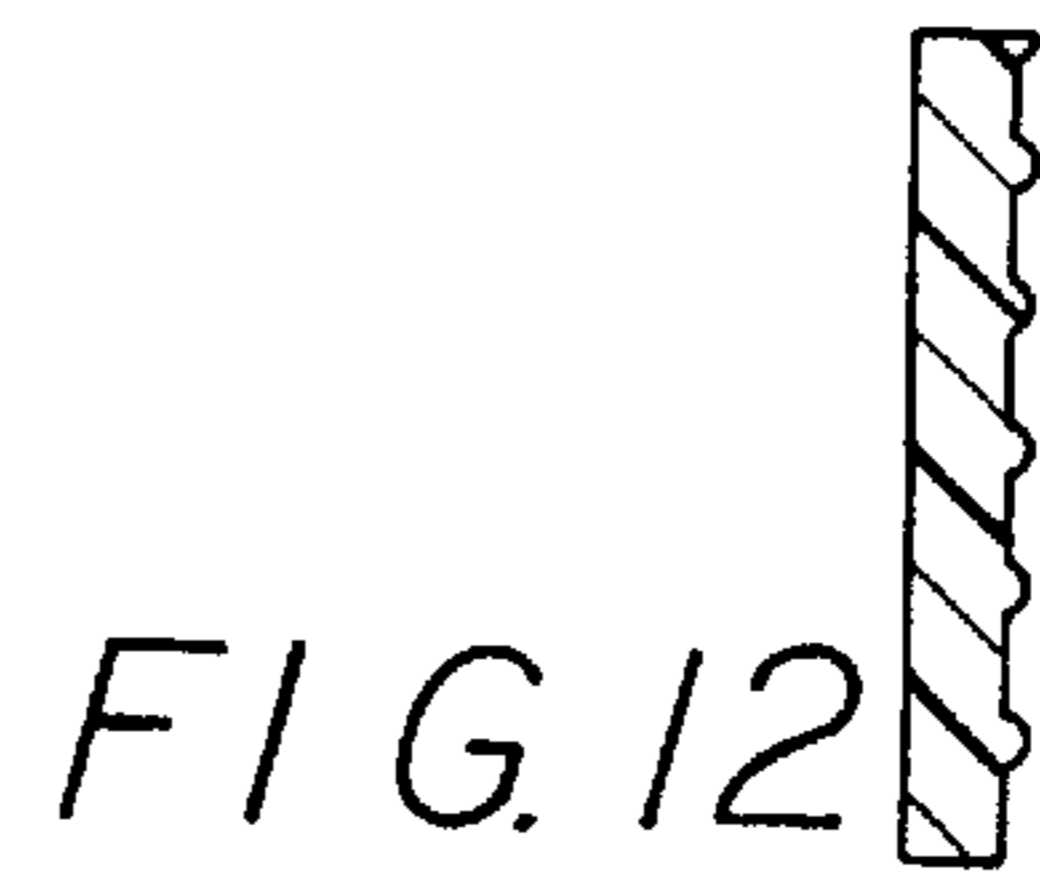


FIG. 12



FIG. 14

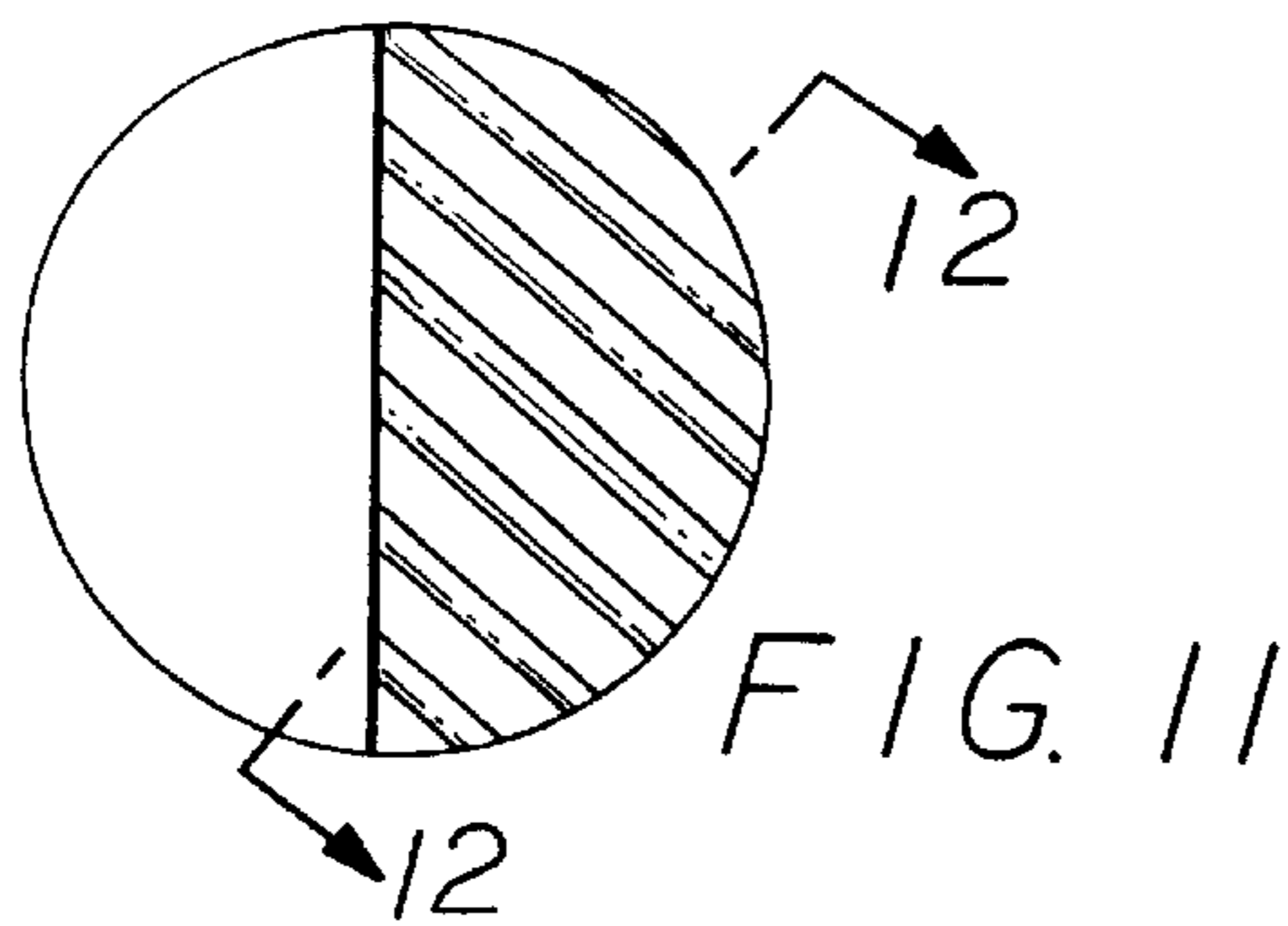


FIG. 11

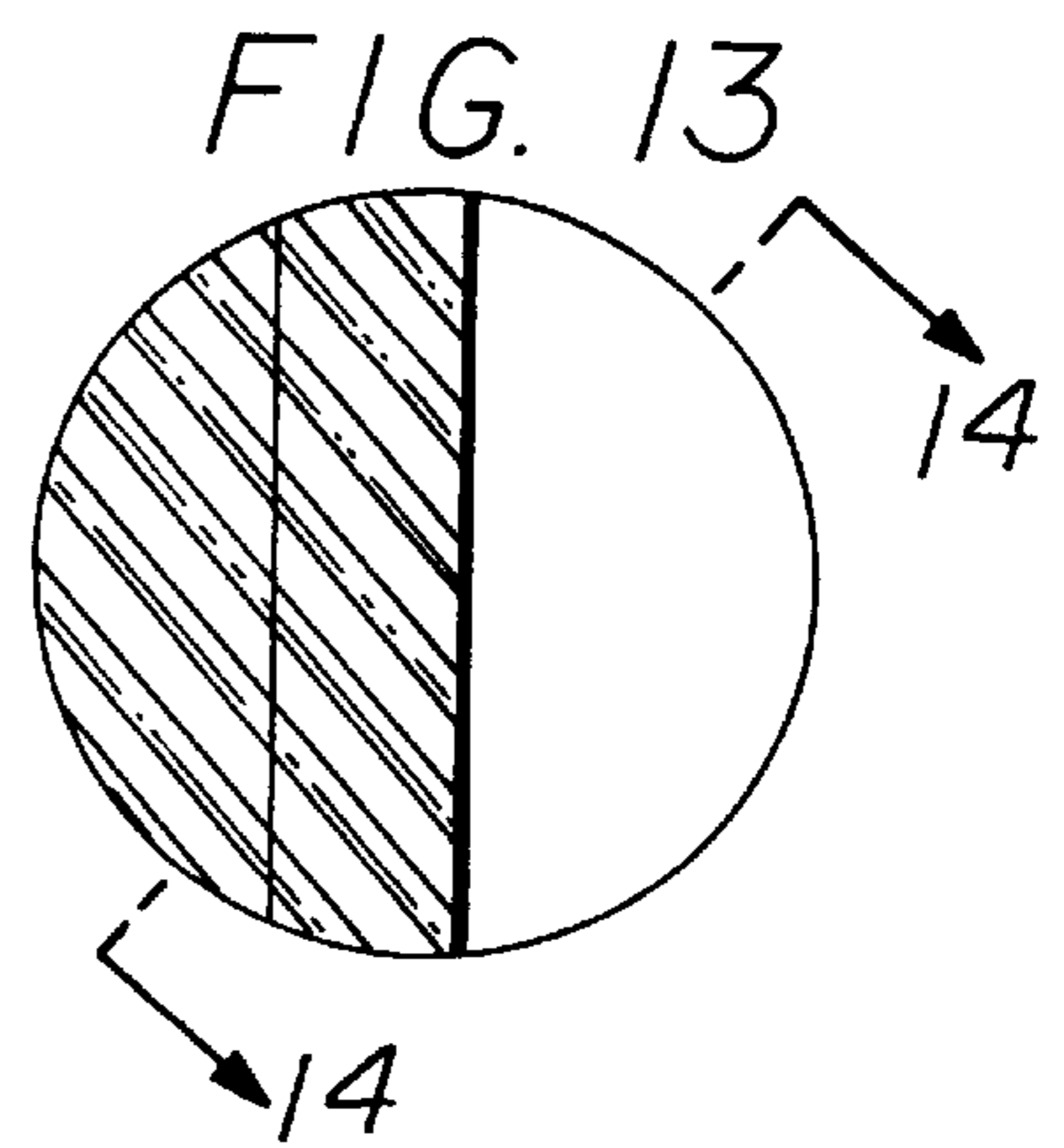


FIG. 13

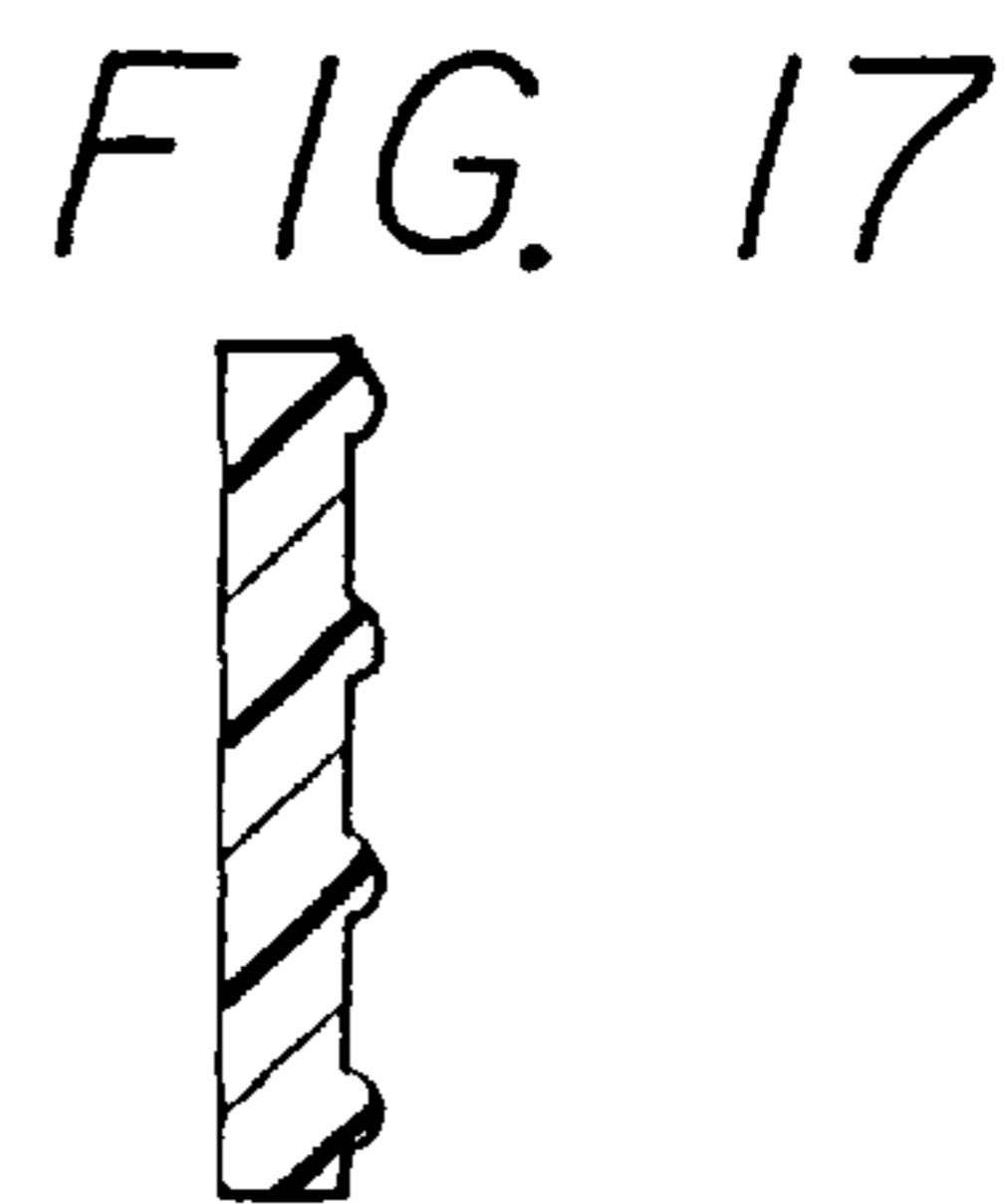
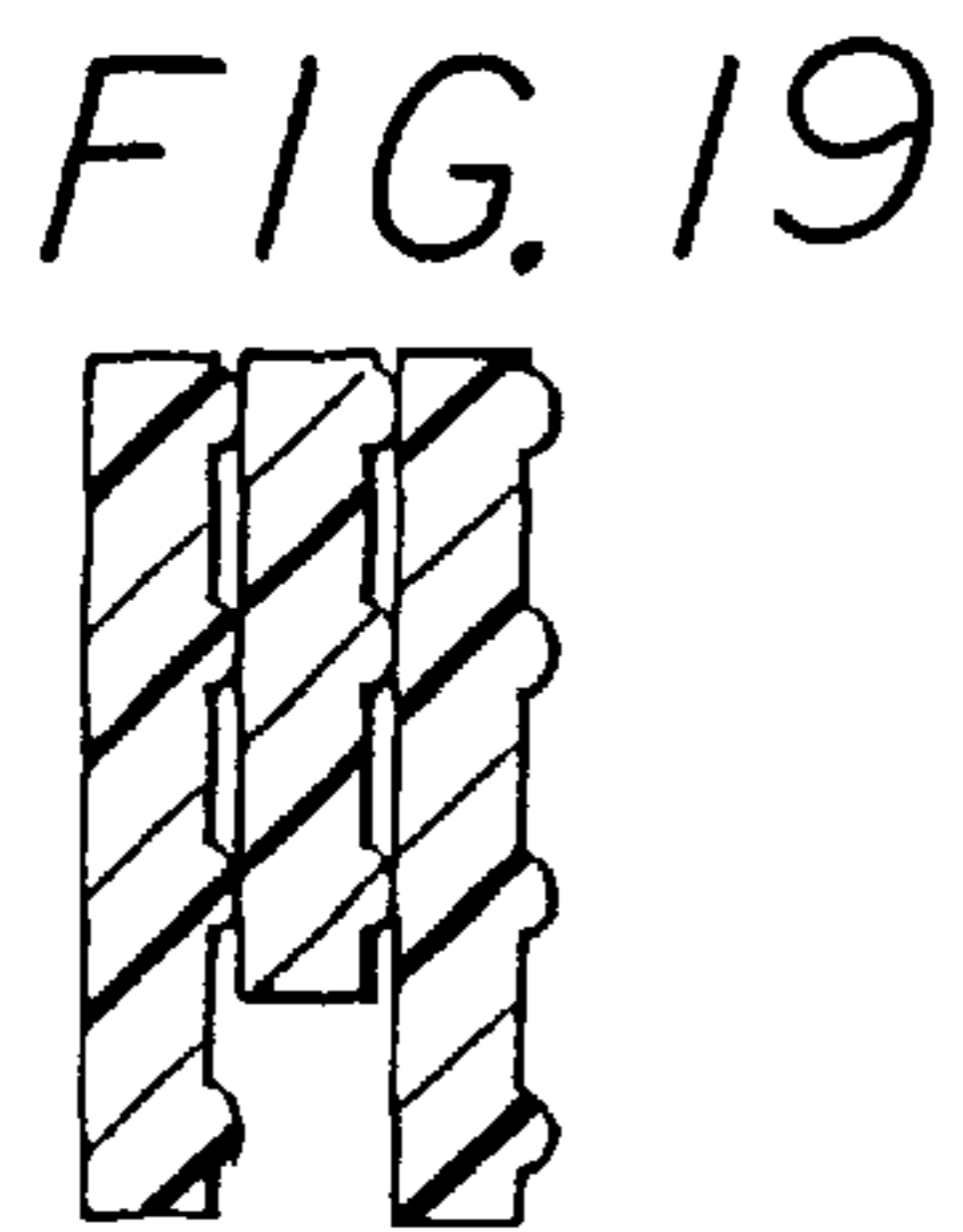
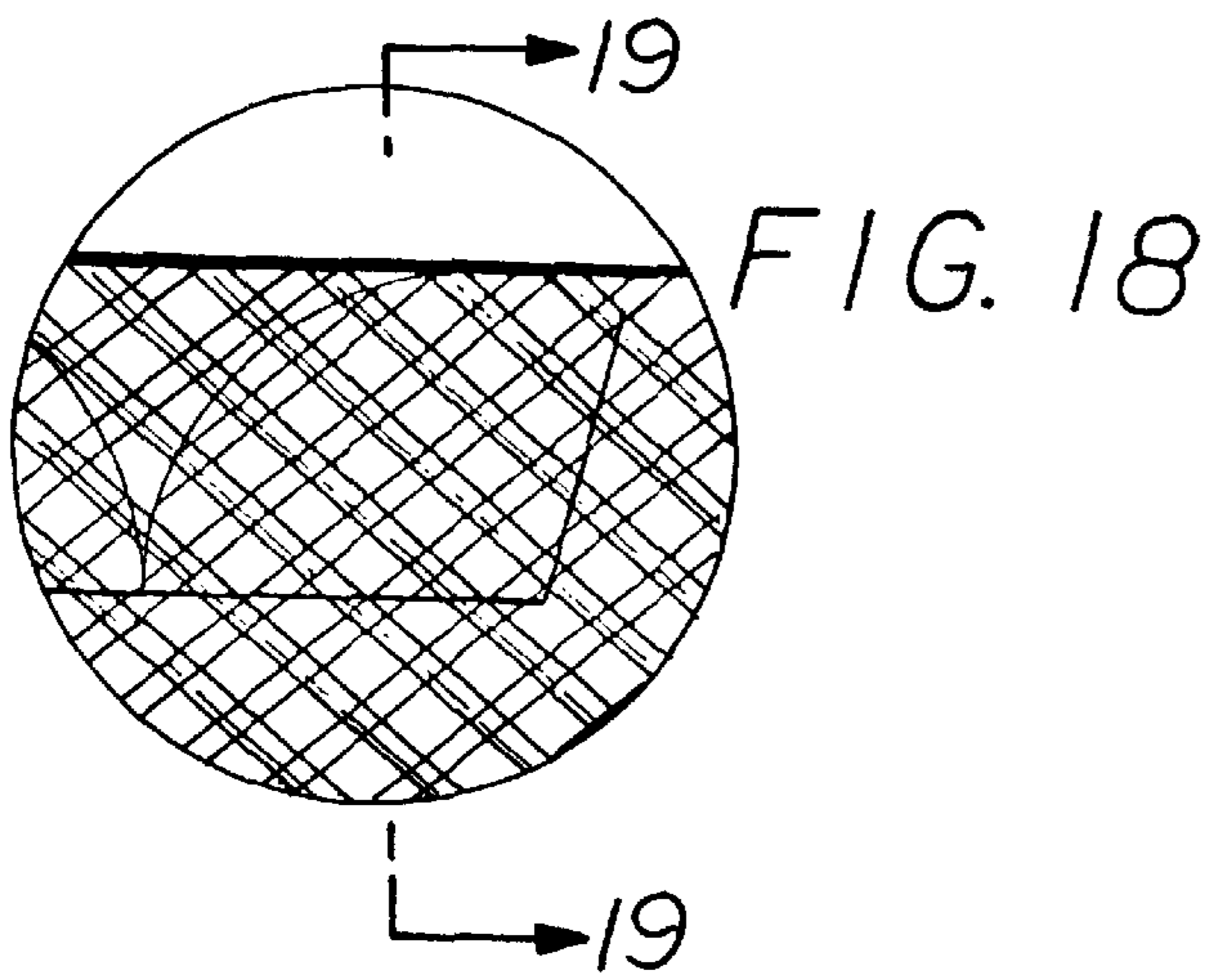
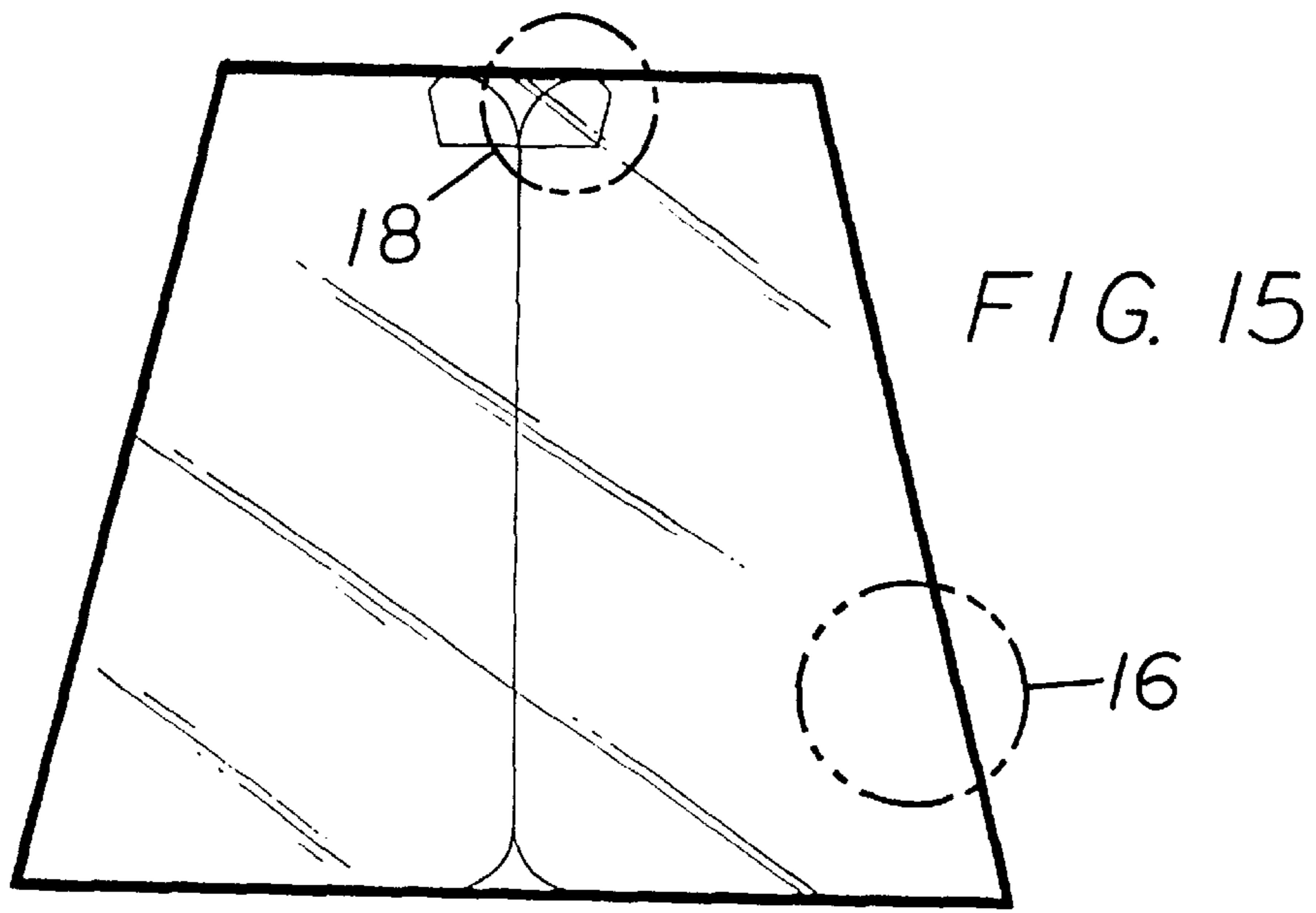


FIG. 20

