



US00D451797B1

(12) **United States Design Patent**
Davis

(10) **Patent No.:** **US D451,797 S**

(45) **Date of Patent:** **** Dec. 11, 2001**

(54) **COMPRESSED FABRIC ARTICLE PACKAGE
HAVING A SIMULATED DOUGHNUT SHAPE**

2,092,160 * 9/1937 Haverlander D1/120
3,857,330 * 12/1974 Ruckstaetter D1/120

(76) **Inventor:** **Alan Davis**, 5830 Oberlin Dr., Suite
202, San Diego, CA (US) 92121

* cited by examiner

(**) **Term:** **14 Years**

Primary Examiner—Terry A. Wallace

(74) *Attorney, Agent, or Firm*—Brown, Martin, Haller &
McClain

(21) **Appl. No.:** **29/114,489**

(57) **CLAIM**

(22) **Filed:** **Nov. 23, 1999**

The ornamental design for a compressed fabric article
package having a simulated doughnut shape, as shown.

(51) **LOC (7) Cl.** **09-03**

(52) **U.S. Cl.** **D9/329**

DESCRIPTION

(58) **Field of Search** D1/120; D9/307,
D9/329; D11/131; 206/457; 229/116.1–116.5;
428/7, 11, 542.2, 542.8

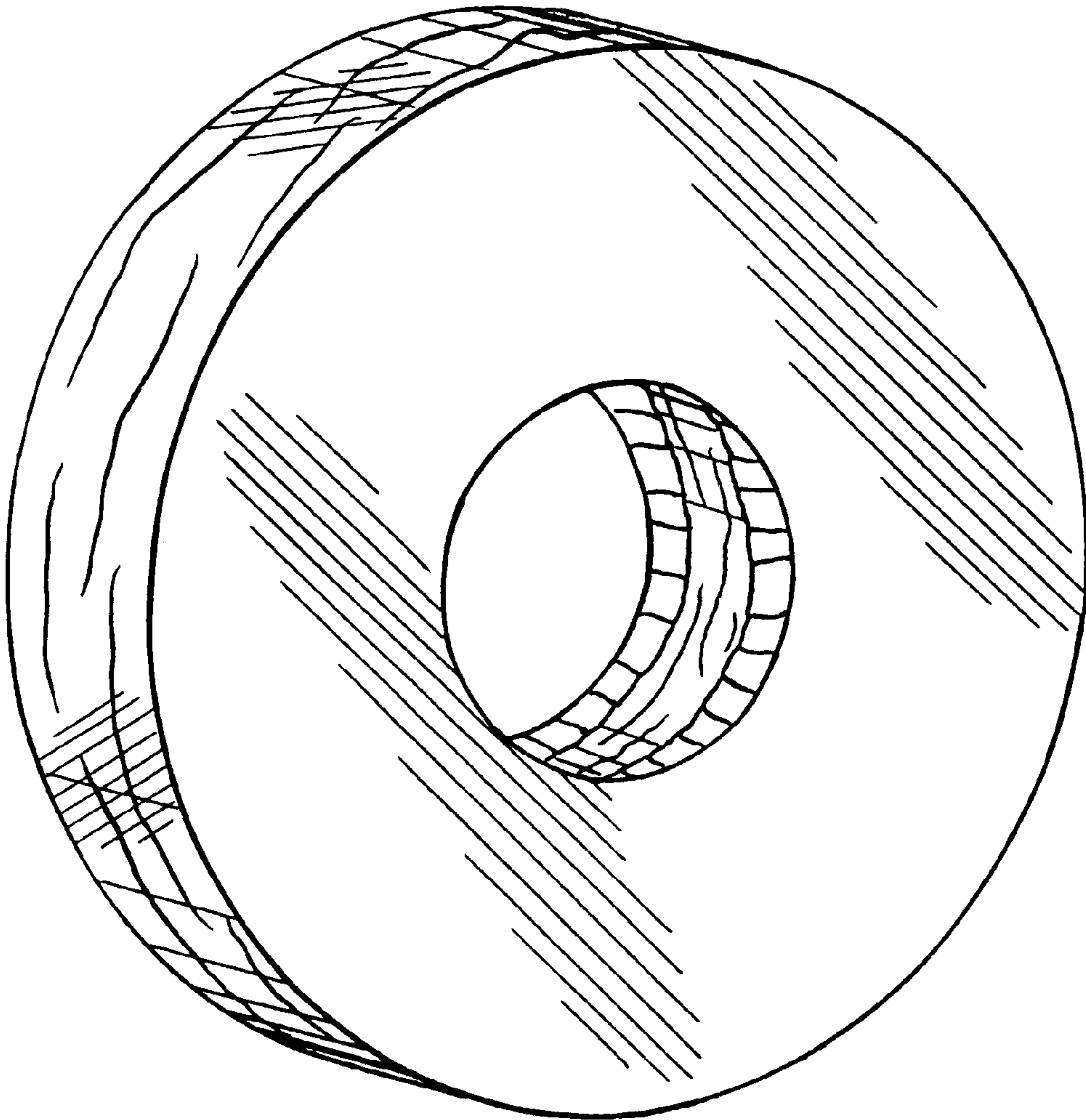
FIG. 1 is a perspective view of a compressed fabric article
package having a simulated doughnut shape of the present
invention, showing my new design;
FIG. 2 is a side elevation view thereof; and,
FIG. 3 is a rear view thereof.

(56) **References Cited**

U.S. PATENT DOCUMENTS

D. 385,214 * 10/1997 Cappoza D11/157

1 Claim, 1 Drawing Sheet



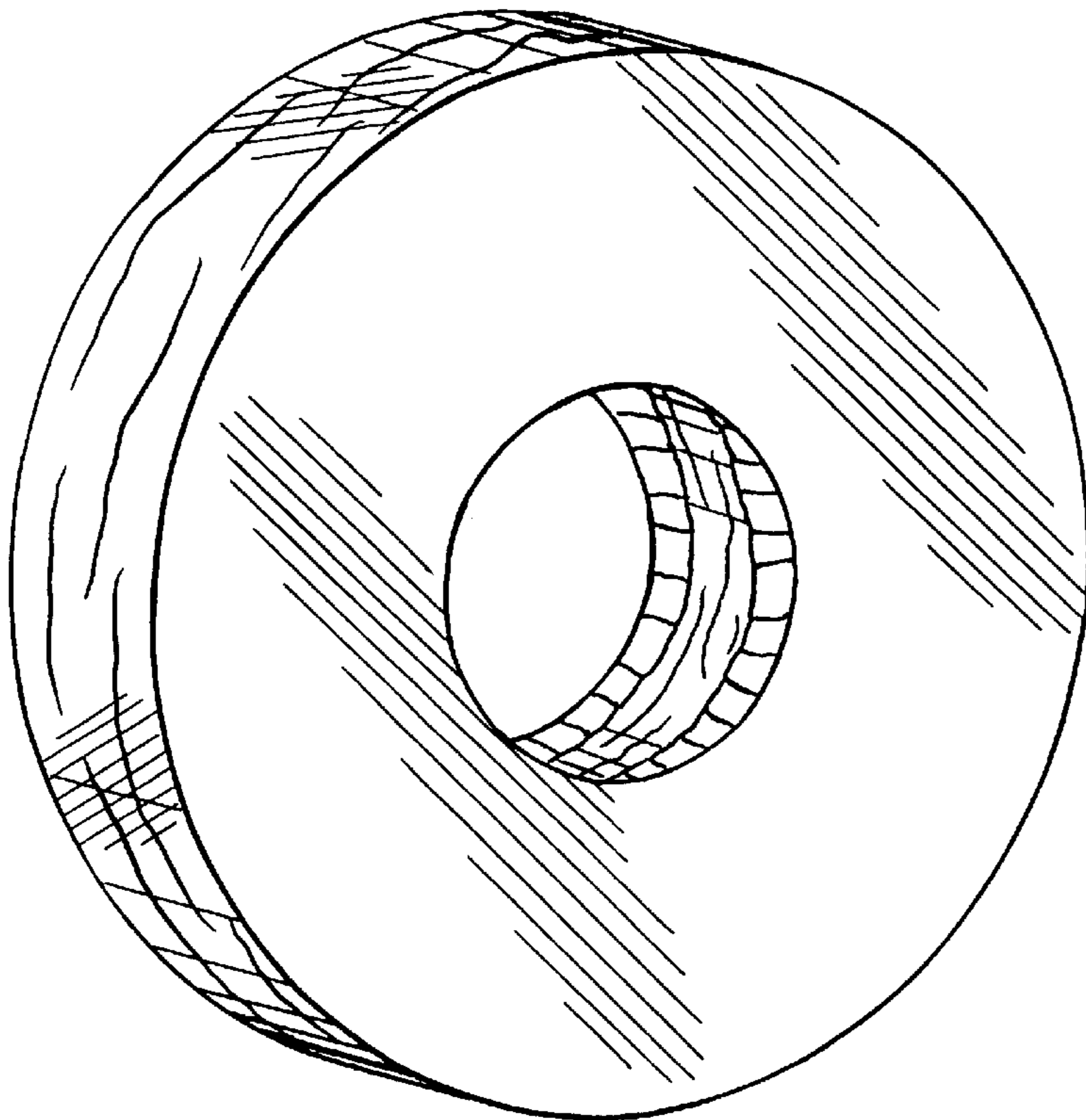


FIG. 1



FIG. 2

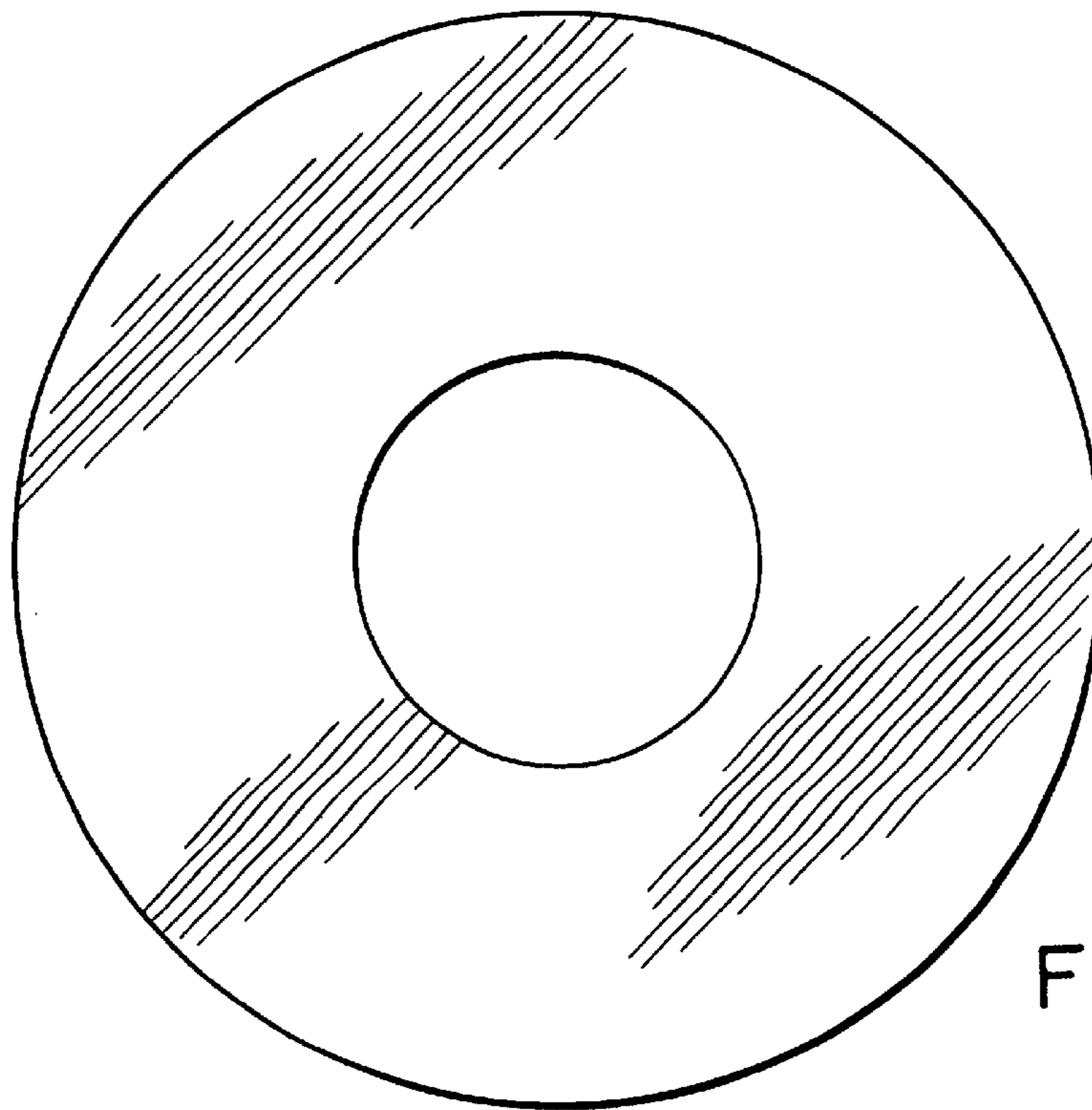


FIG. 3