



US00D451794B1

(12) **United States Design Patent**
Ichikawa

(10) **Patent No.:** **US D451,794 S**

(45) **Date of Patent:** **** Dec. 11, 2001**

(54) **PACKAGING BAG**

6,234,676 * 5/2001 Galomb et al. 383/63

(75) Inventor: **Tooru Ichikawa, Misato (JP)**

* cited by examiner

(73) Assignee: **Hosokawa Yoko Co., Ltd., Tokyo (JP)**

Primary Examiner—Cathron C. Brooks

(**) Term: **14 Years**

(74) *Attorney, Agent, or Firm*—Nixon & Vanderhye

(21) Appl. No.: **29/135,021**

(57) **CLAIM**

(22) Filed: **Jan. 5, 2001**

The ornamental design for a packaging bag, as shown and described.

(30) **Foreign Application Priority Data**

DESCRIPTION

Jul. 5, 2000 (JP) 12-018399

FIG. 1 is a front view of the packaging bag showing my new design;

(51) **LOC (7) Cl.** **09-05**

FIG. 2 is a rear view thereof;

(52) **U.S. Cl.** **D9/305; D9/306; D9/337**

FIG. 3 is a right side view thereof, the left side view being a mirror image thereof;

(58) **Field of Search** D9/305, 306; 383/33, 383/34.1, 36, 61-64, 104, 111, 120, 121.1, 200

FIG. 4 is a top plan view thereof;

FIG. 5 is a bottom plan view thereof;

(56) **References Cited**

FIG. 6 is a sectional view cut along the central vertical line of FIG. 1;

U.S. PATENT DOCUMENTS

FIG. 7 is an enlarged sectional view of a portion A—A of FIG. 6;

D. 402,196	*	12/1998	Lynch	D9/305
3,249,286	*	5/1966	Palmer	383/104
4,082,216	*	4/1978	Clarke	220/418
4,139,643	*	2/1979	Hix et al.	383/200
4,869,912	*	9/1989	McCoy et al.	383/200
5,007,233	*	4/1991	Bose	383/111 X
5,029,751	*	7/1991	Detzel	229/125.42
5,375,930	*	12/1994	Tani	383/206
5,547,284	*	8/1996	Imer	383/104
6,186,663	*	2/2001	Ausnit	383/63

FIG. 8 is a perspective view of the packaging bag in the unfilled position with the sleeve shown removed for completeness of illustration;

FIG. 9 is a perspective view of the packaging bag of FIG. 1, with the top shown in the open position and the bottom corners shown in an alternate position; and,

FIG. 10 is a perspective view of the packaging bag of FIG. 1.

1 Claim, 7 Drawing Sheets

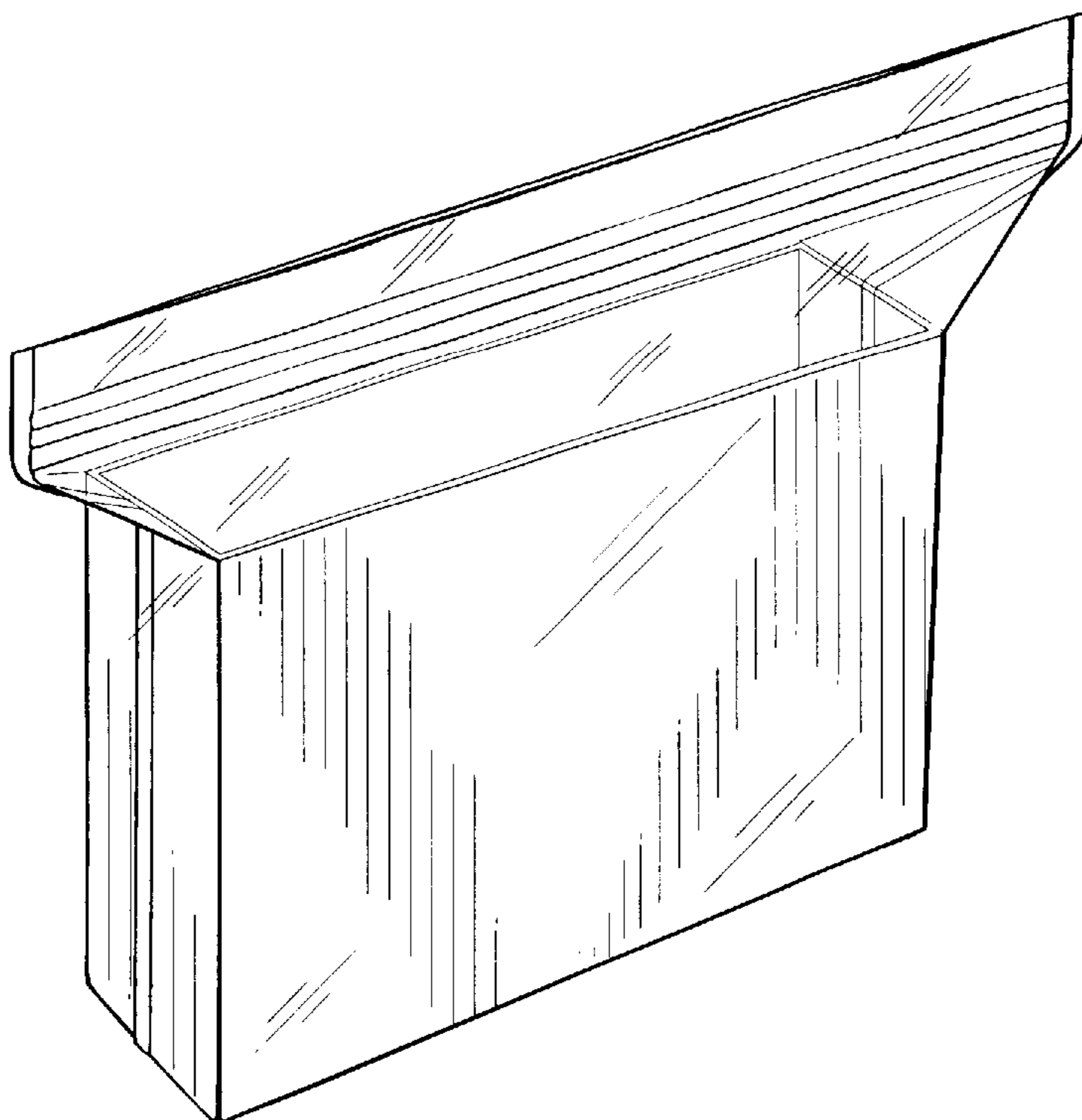


Fig. 1

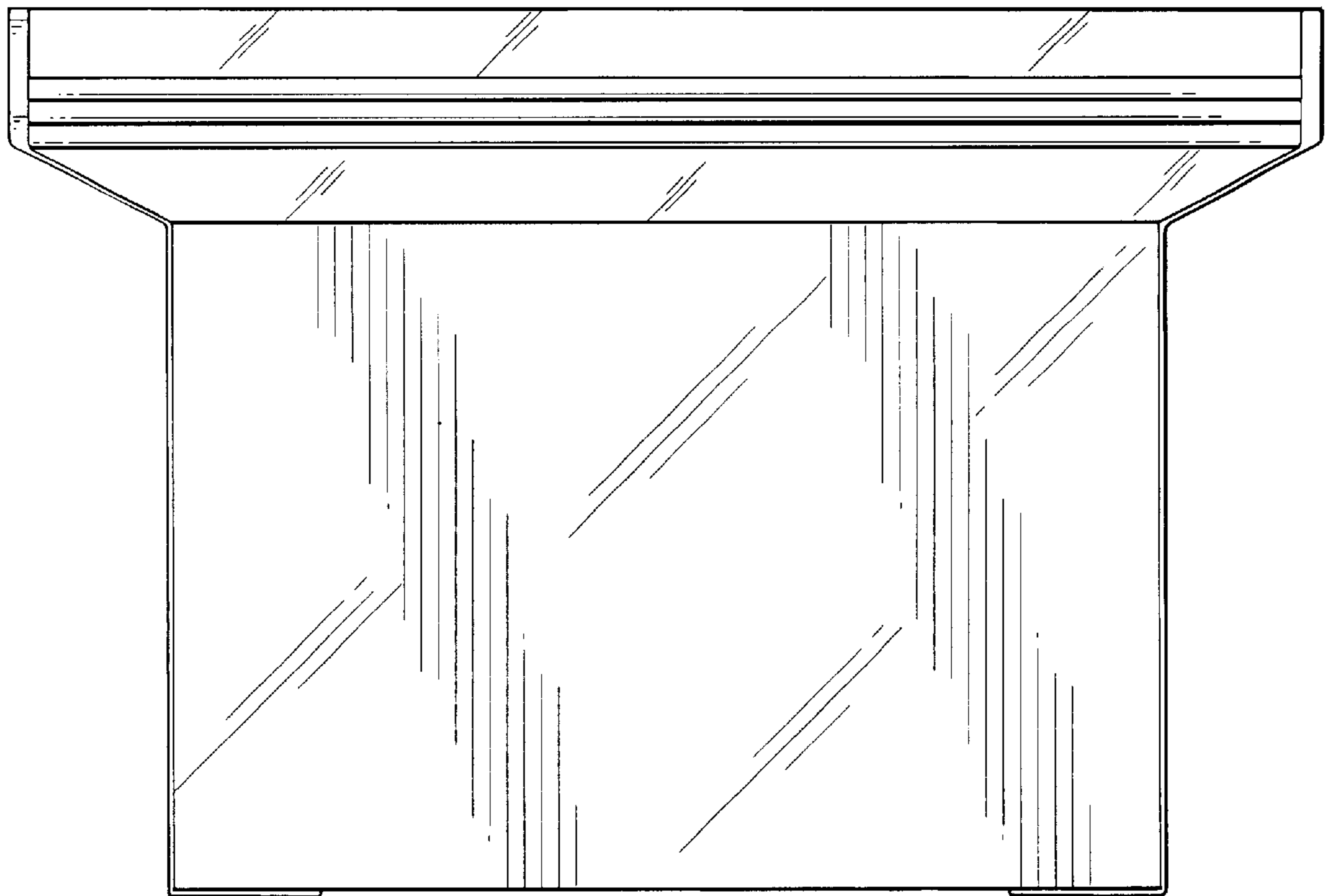


Fig. 2

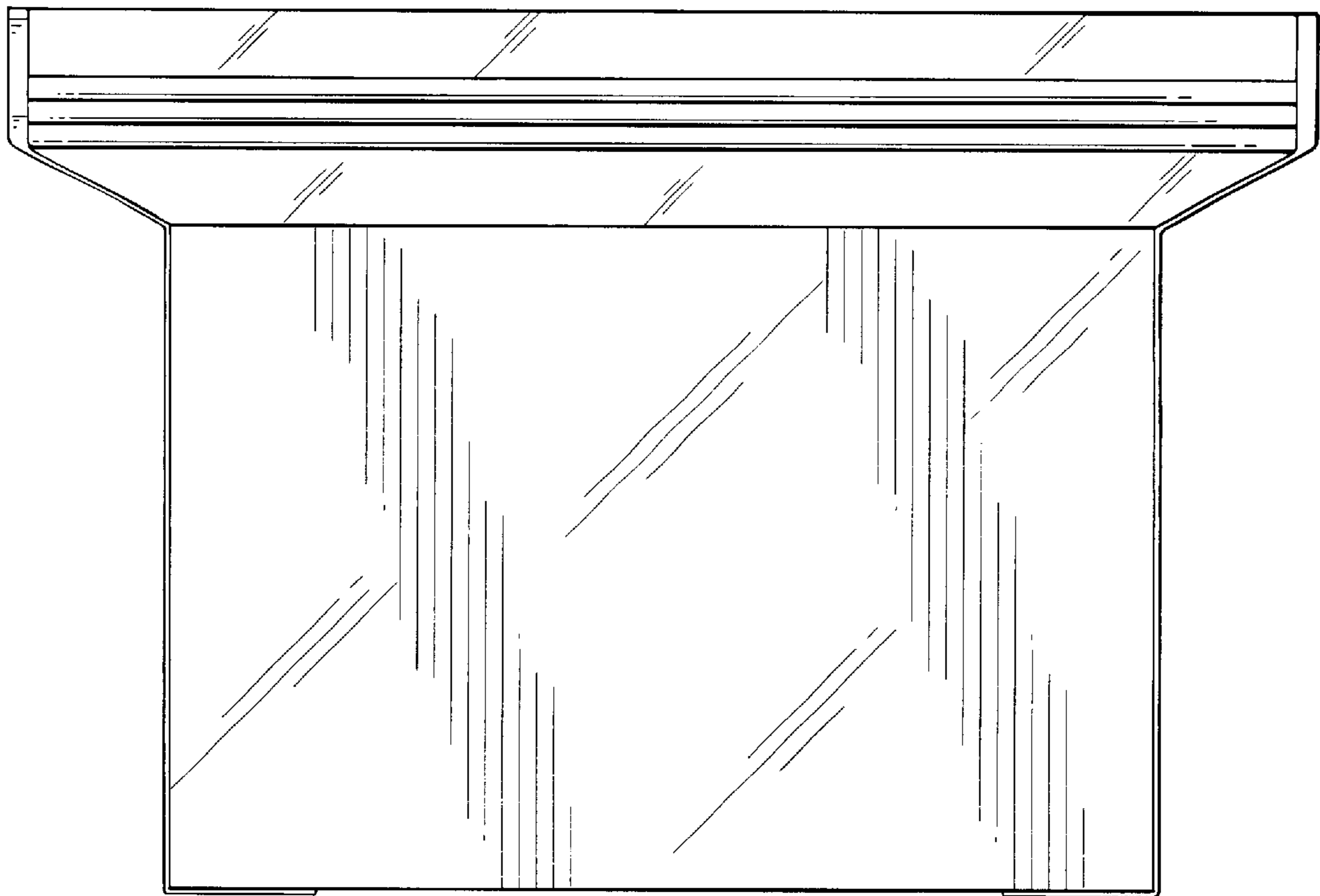
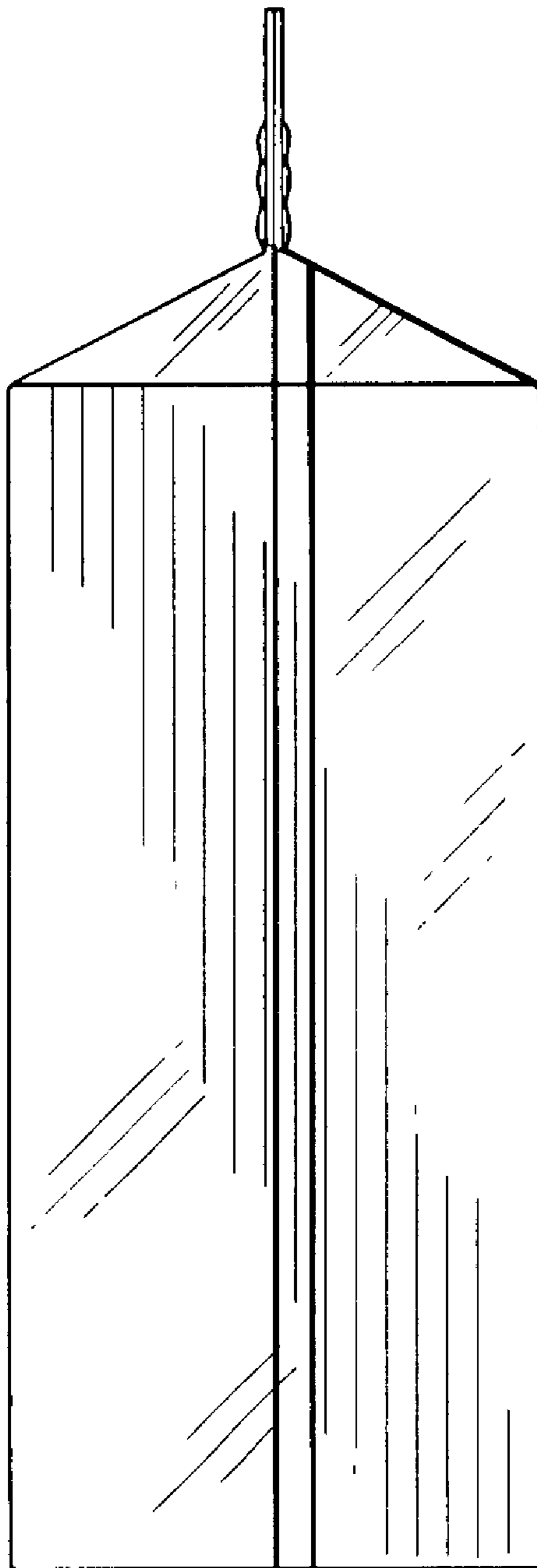


Fig. 3



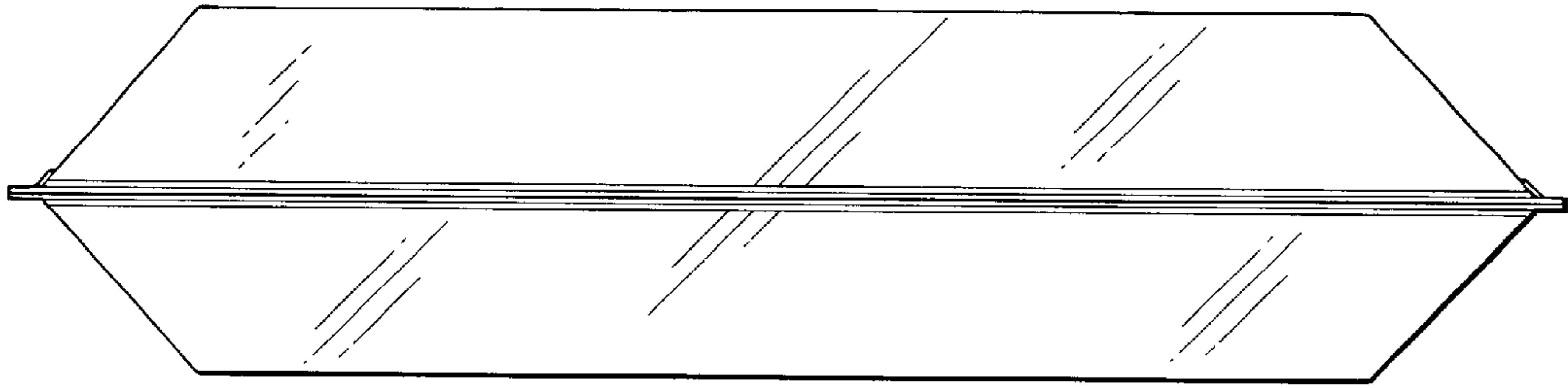


Fig. 4

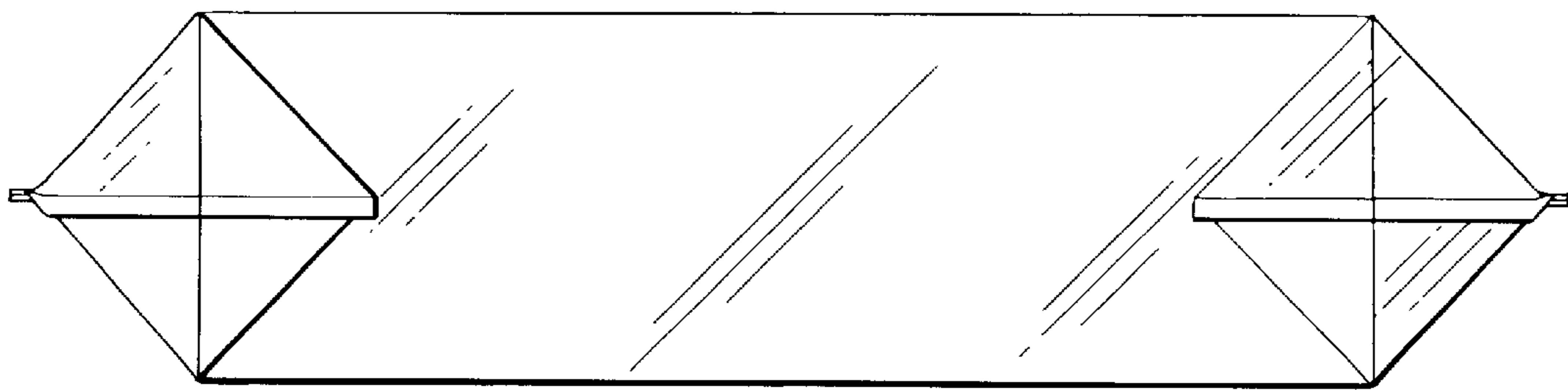


Fig. 5

Fig. 6

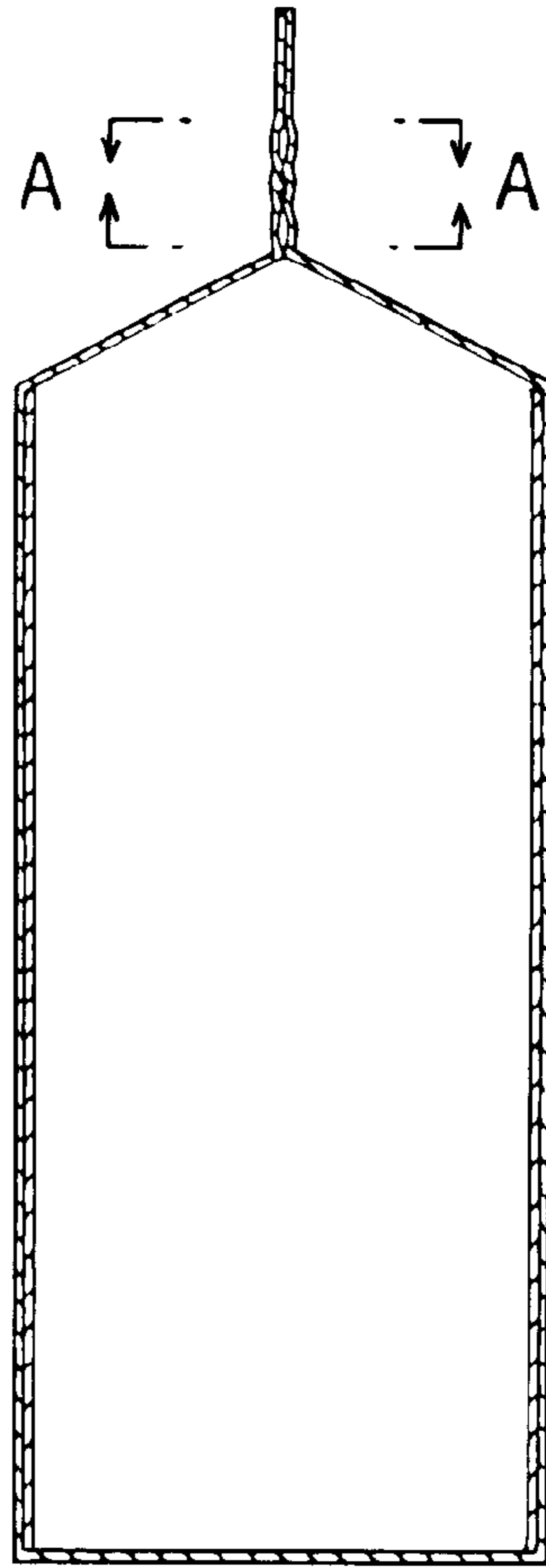


Fig. 7



Fig. 8

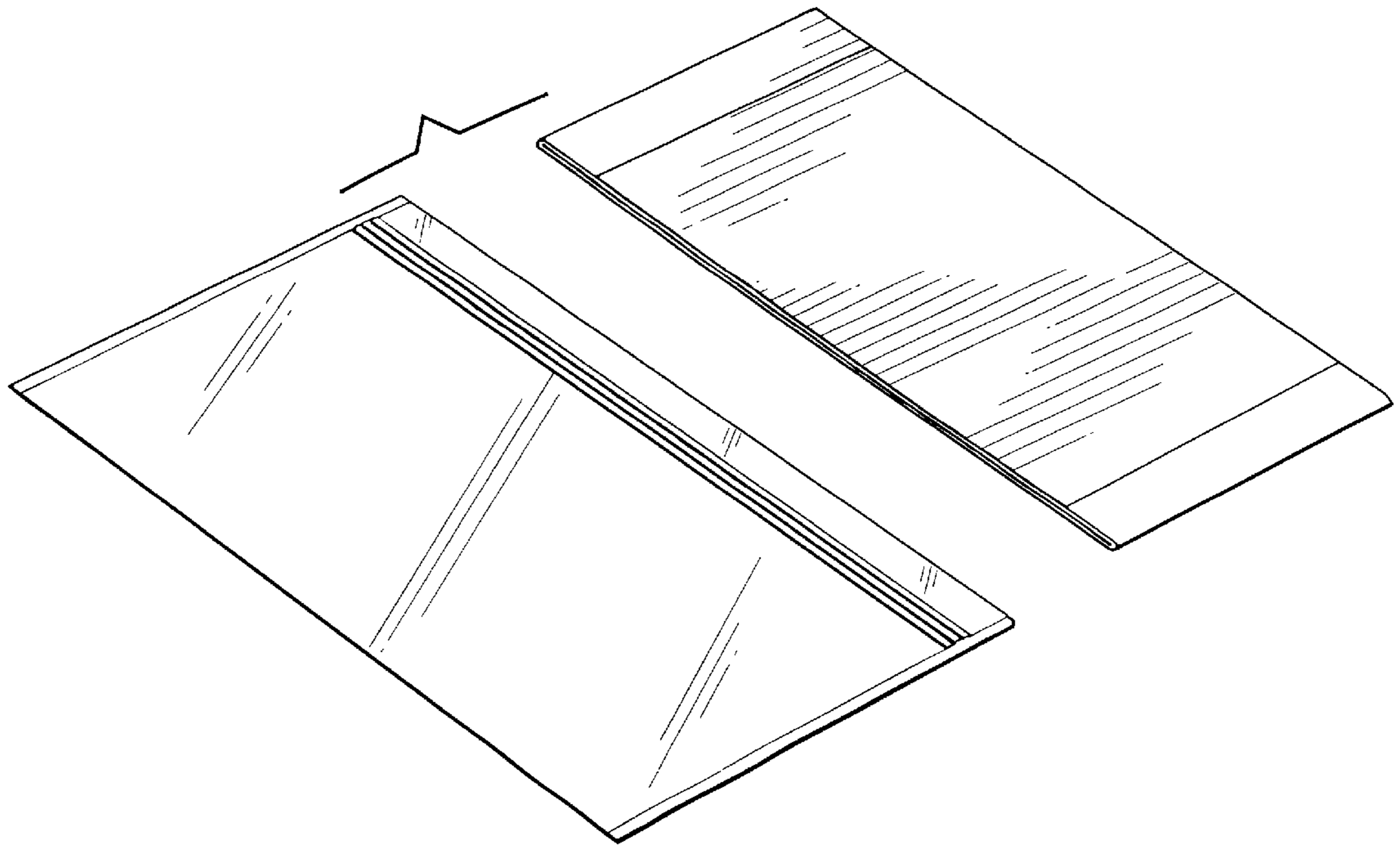


Fig. 9

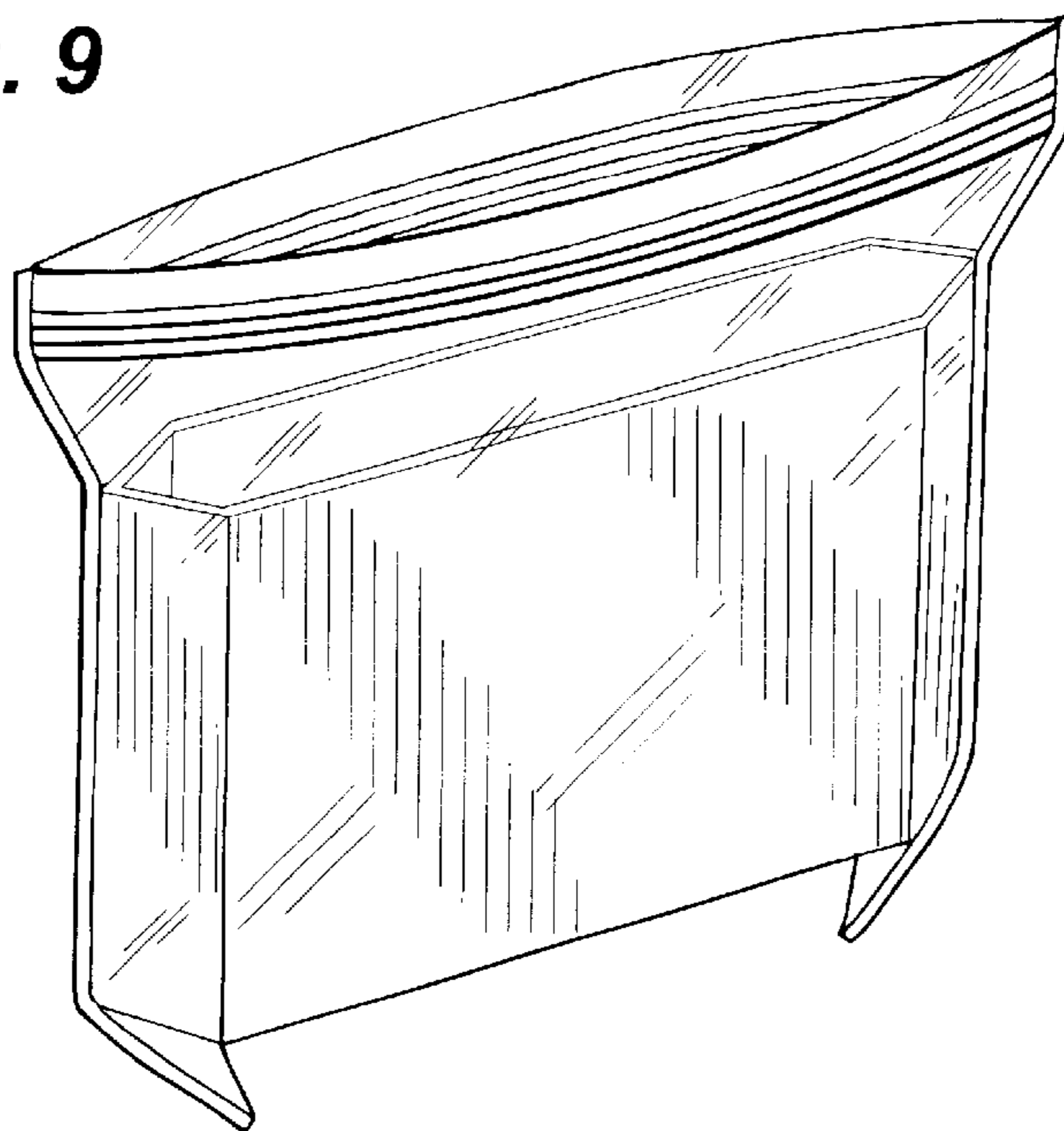


Fig. 10

