



US00D451790B1

(12) **United States Design Patent**
Wagner et al.

(10) **Patent No.:** **US D451,790 S**

(45) **Date of Patent:** **** Dec. 11, 2001**

(54) **BENT BOLT CLAMP**
(75) Inventors: **Wayne M. Wagner**, Apple Valley, MN
(US); **James P. Shields**, Fairbank, IA
(US)

(73) Assignee: **Donaldson Company, Inc.**,
Minneapolis, MN (US)

(**) Term: **14 Years**

(21) Appl. No.: **29/098,381**

(22) Filed: **Dec. 28, 1998**

(51) **LOC (7) Cl.** **08-08**

(52) **U.S. Cl.** **D8/396**

(58) **Field of Search** D8/394-396; D23/265;
285/322, 480; 24/20 R, 23 R, 22, 20 LS,
276, 279, 280, 277

(56) **References Cited**

U.S. PATENT DOCUMENTS

Re. 30,042	7/1979	Hiemstra et al. .
1,221,425	4/1917	Dremel .
1,252,637	1/1918	Westcott .
1,473,715	11/1923	Wessel .
1,806,867	5/1931	Welsh .
1,827,195	10/1931	Hansen .
1,978,195	10/1934	Haas .
2,330,898	10/1943	King .
2,409,576	10/1946	Markey .
2,462,976	* 3/1949	King .
2,570,985	10/1951	Riemenschneider et al. .
2,719,345	10/1955	Riker .
3,022,561	2/1962	Jagiel .
3,334,388	* 8/1967	Turbyfill 24/279

3,905,623	9/1975	Cassel .
3,944,265	3/1976	Hiemstra et al. .
4,113,289	9/1978	Wagner et al. .
4,141,577	2/1979	Beebe .
4,183,122	1/1980	Wagner .
4,270,689	6/1981	Canfield .
4,365,392	12/1982	Heckethorn .
4,558,891	12/1985	Wagner et al. .

* cited by examiner

Primary Examiner—B. J. Bullock

(74) *Attorney, Agent, or Firm*—Merchant & Gould P.C.

(57) **CLAIM**

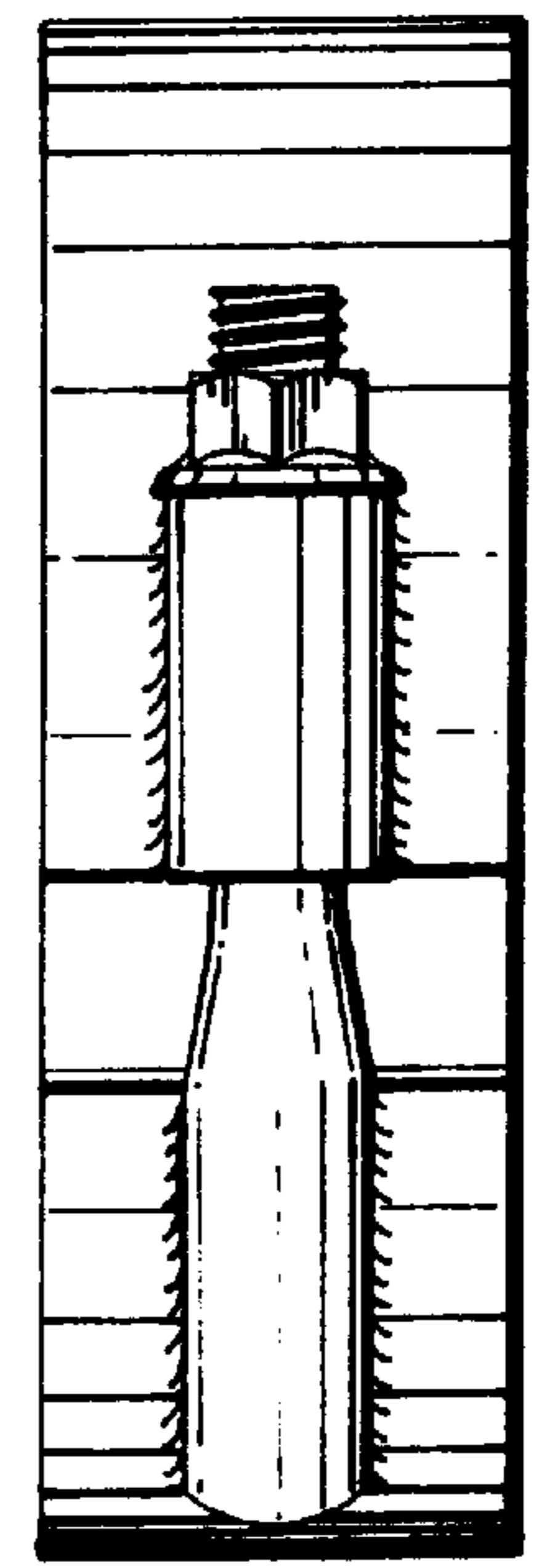
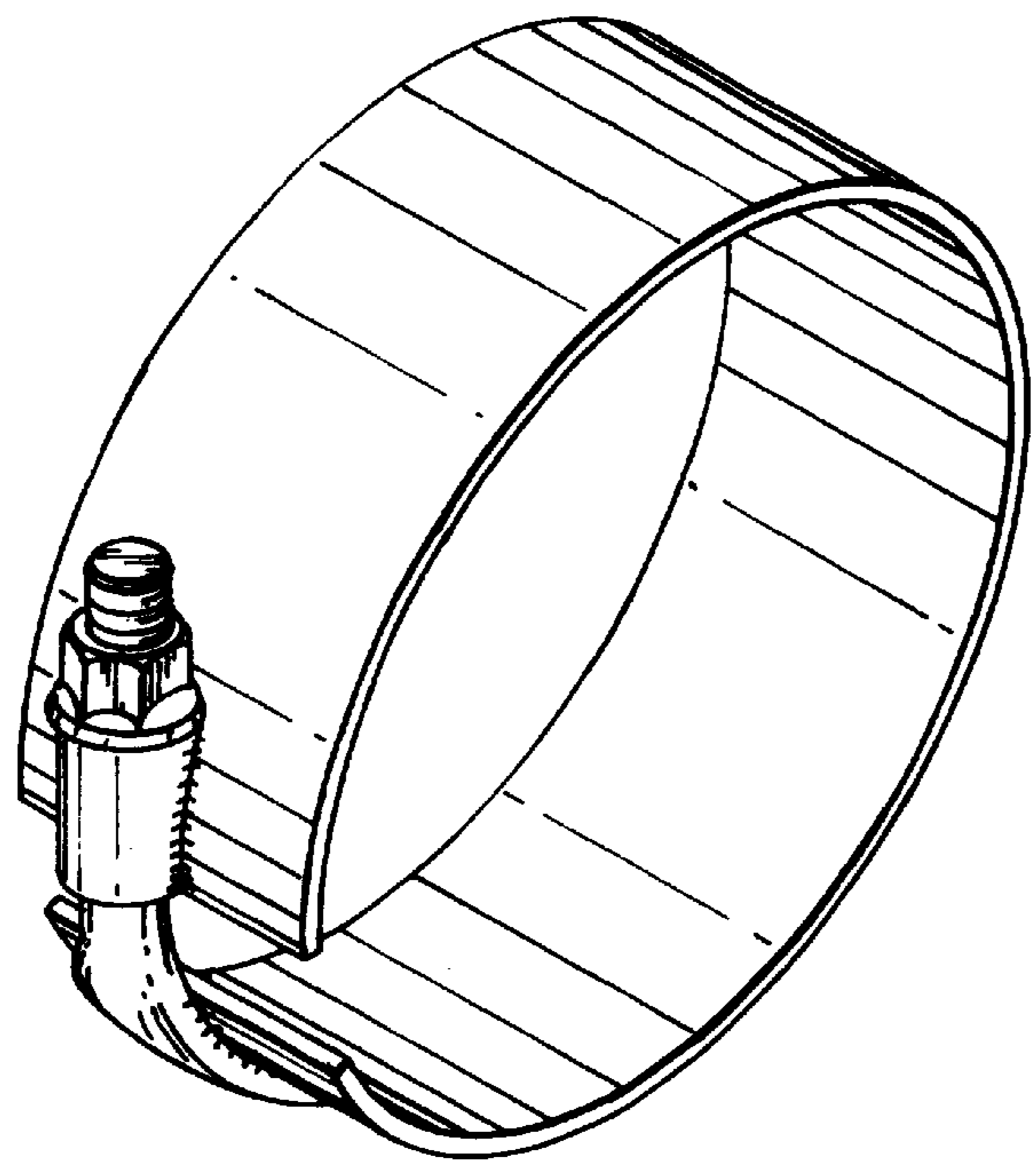
The ornamental design for a bent bolt clamp, as shown and described.

DESCRIPTION

FIG. 1 is a perspective view of a bent bolt clamp embodying my new design;
 FIG. 2 is a top plan view of the bent bolt clamp of FIG. 1;
 FIG. 3 is a bottom plan view of the bent bolt clamp of FIG. 1;
 FIG. 4 is a left elevational view of the bent bolt clamp of FIG. 1;
 FIG. 5 is a front elevational view of the bent bolt clamp of FIG. 1, the rear elevational being a mirror image thereof; and,
 FIG. 6 is a right elevational view of the bent bolt clamp of FIG. 1.

The surfaces or portions of the article not shown in the drawing or described in the specification form no part of the claimed design.

1 Claim, 2 Drawing Sheets



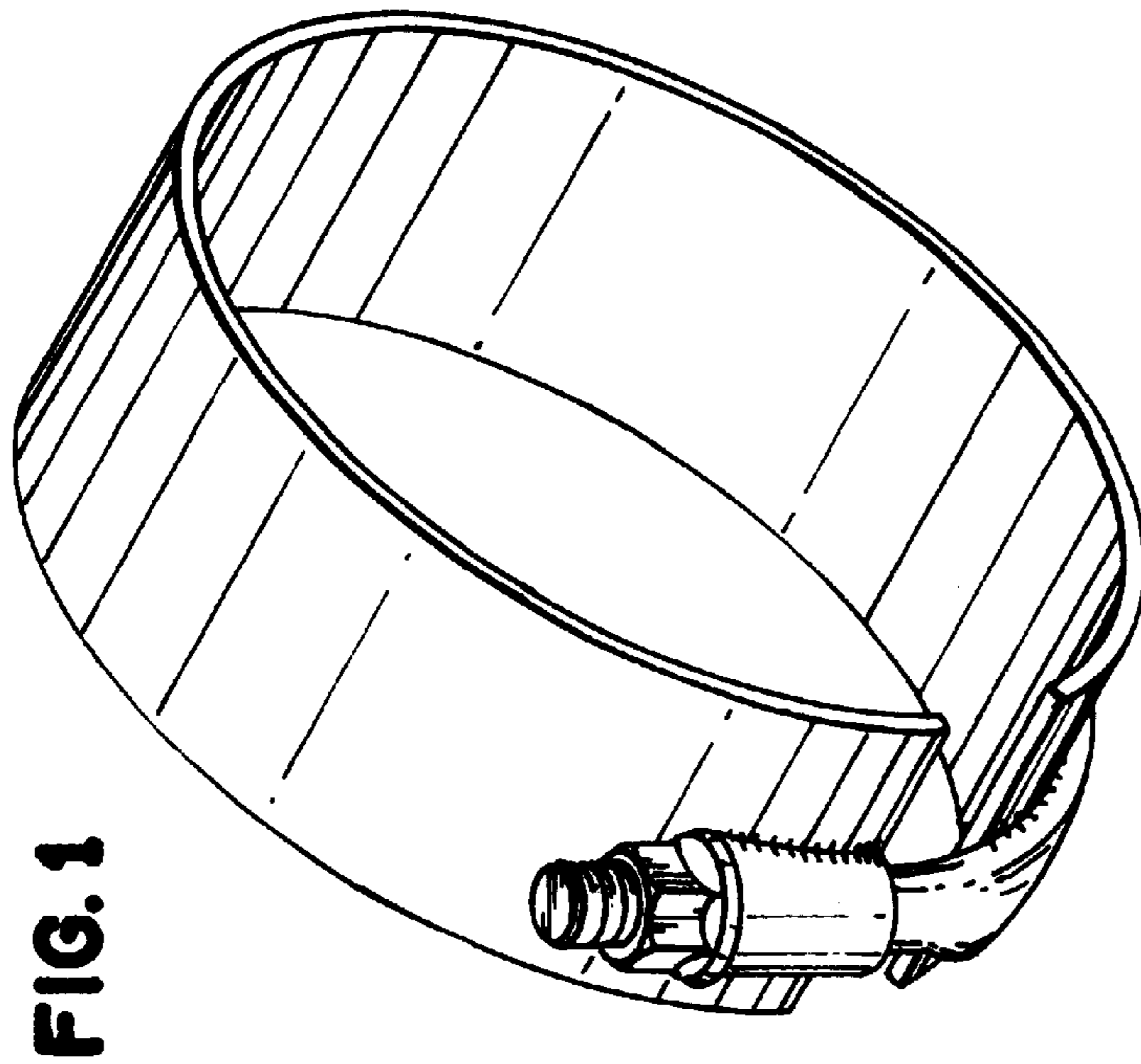
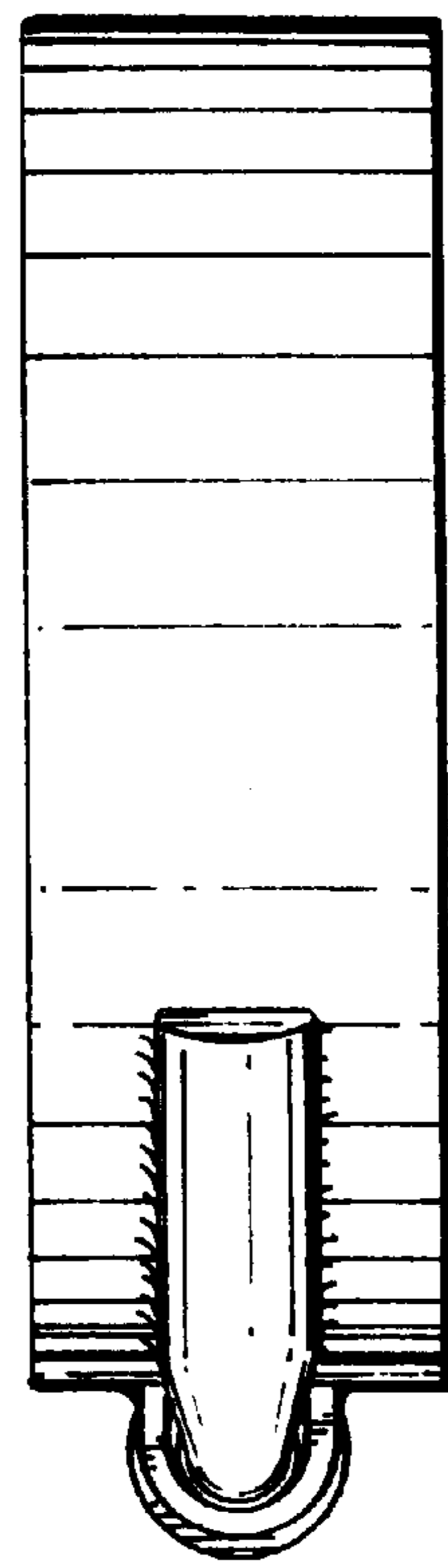
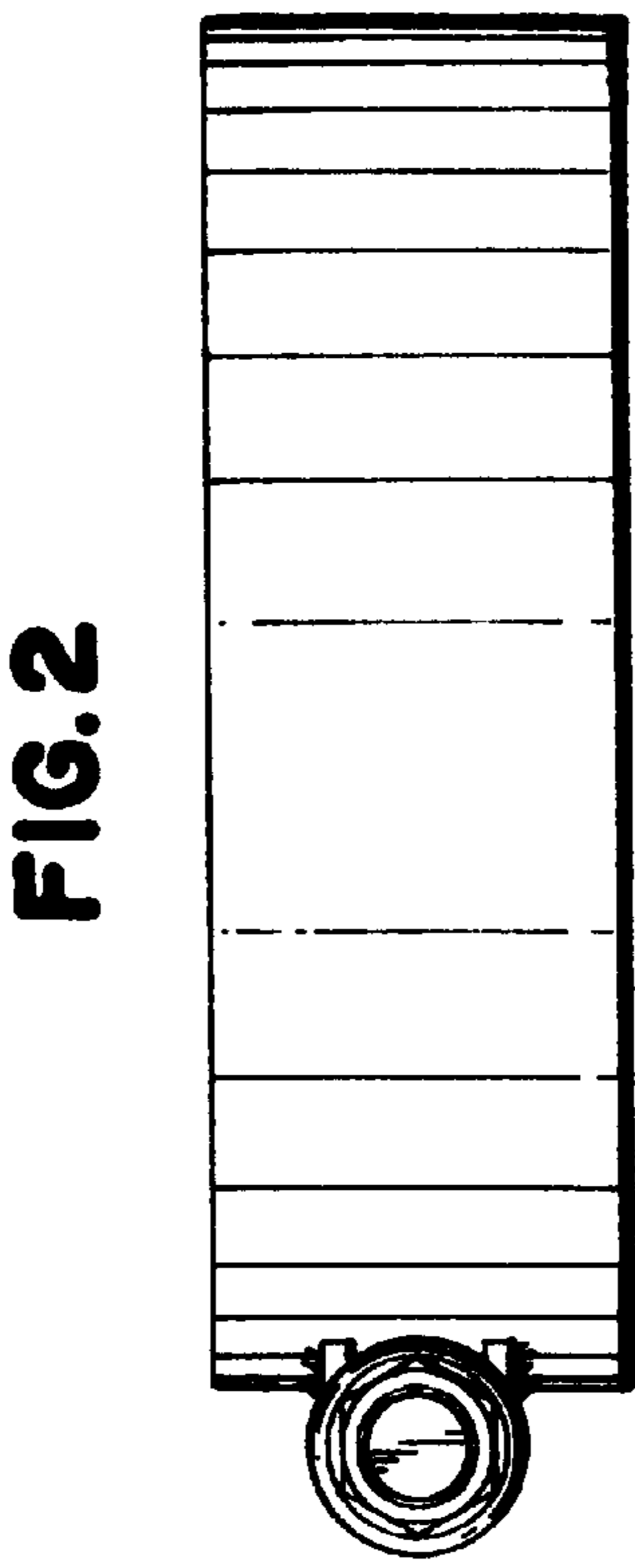


FIG. 2

FIG. 3

FIG. 1

FIG. 6

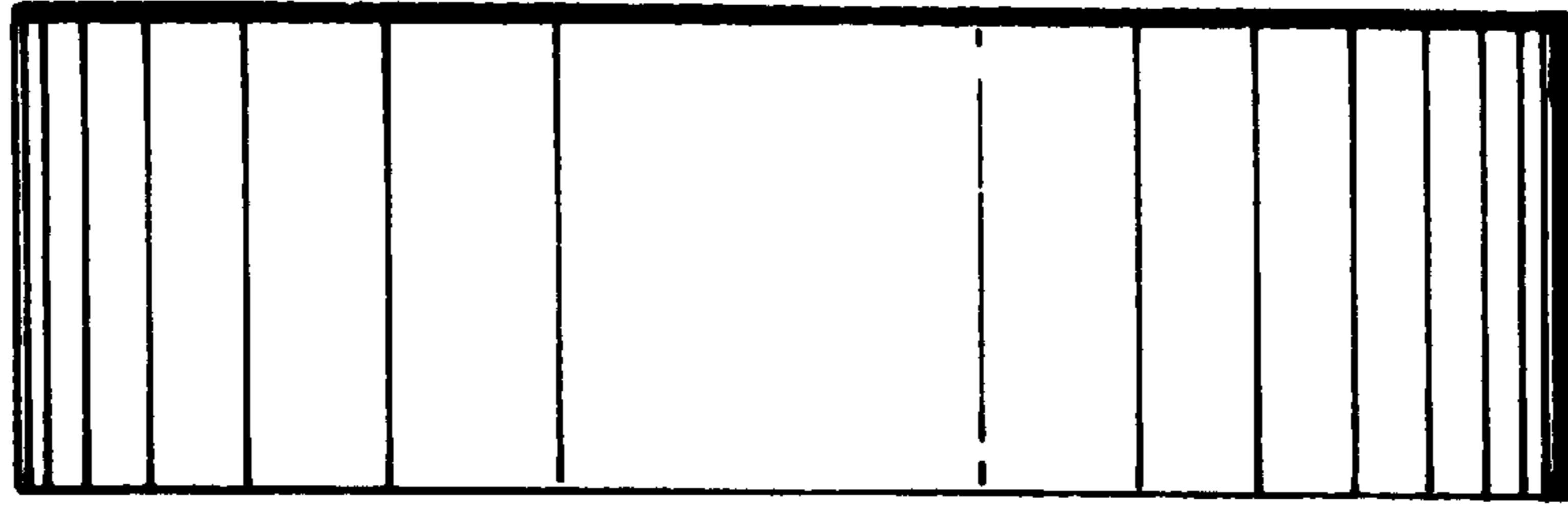


FIG. 5

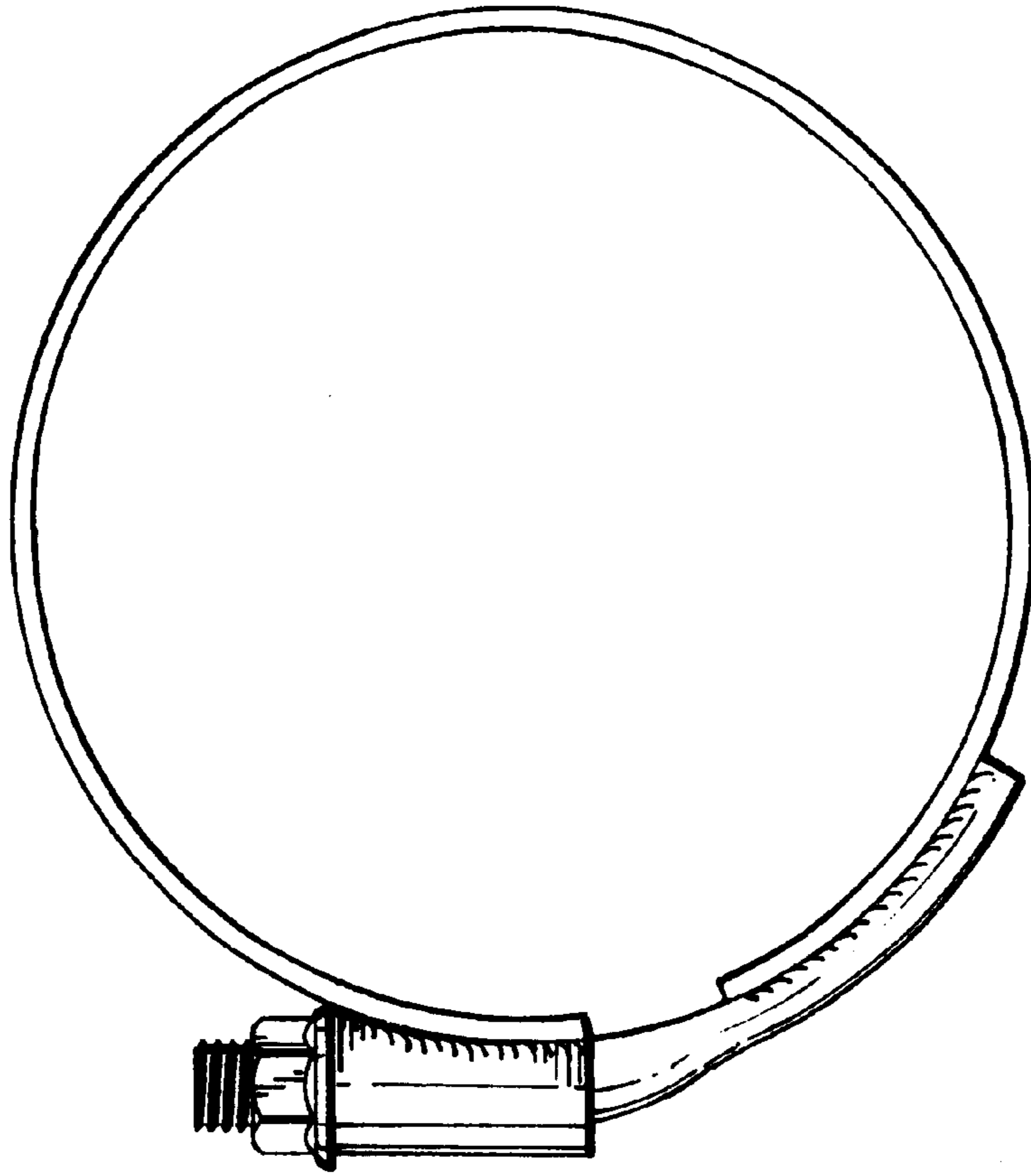


FIG. 4

