



US00D451789B1

(12) **United States Design Patent**
Hsieh

(10) **Patent No.:** **US D451,789 S**

(45) **Date of Patent:** **** Dec. 11, 2001**

(54) **HEAT SINK FASTENER**

(76) **Inventor:** **Hsin-Mao Hsieh**, No. 6, East Section,
Chiao Nan Li, Industrial 6th Rd.,
Pingtung City, Pingtung Hsien (TW)

(**) **Term:** **14 Years**

(21) **Appl. No.:** **29/133,246**

(22) **Filed:** **Nov. 27, 2000**

(51) **LOC (7) Cl.** **08-08**

(52) **U.S. Cl.** **D8/382; D13/179**

(58) **Field of Search** D13/179, 184,
D13/199; 165/80.3, 115, 121, 180, 185;
24/453, 581.1; 174/16.3; 257/706, 707,
718, 719, 720, 721, 722, 727, 686; 439/485,
486, 487; 361/271, 274.3, 697, 702, 704,
709-711; D8/382, 383, 388; 411/500, 508,
514

(56) **References Cited**

U.S. PATENT DOCUMENTS

- D. 336,604 * 6/1993 Fujimoto D8/354
- D. 392,545 * 3/1998 Nakamura D8/354
- D. 427,571 * 7/2000 Hsieh D13/199

- D. 431,175 * 9/2000 Lodi D8/354
- 5,368,261 * 11/1994 Caveney et al. 248/73
- 5,507,610 * 4/1996 Benedetti et al. 411/339
- 5,706,559 * 1/1998 Oliver et al. 24/297
- 6,061,240 * 5/2000 Butterbaugh et al. 361/704
- 6,112,378 * 9/2000 Lee 24/458

* cited by examiner

Primary Examiner—James Gandy

Assistant Examiner—Daniel Bui

(74) *Attorney, Agent, or Firm*—Hedman & Costigan ,P.C.

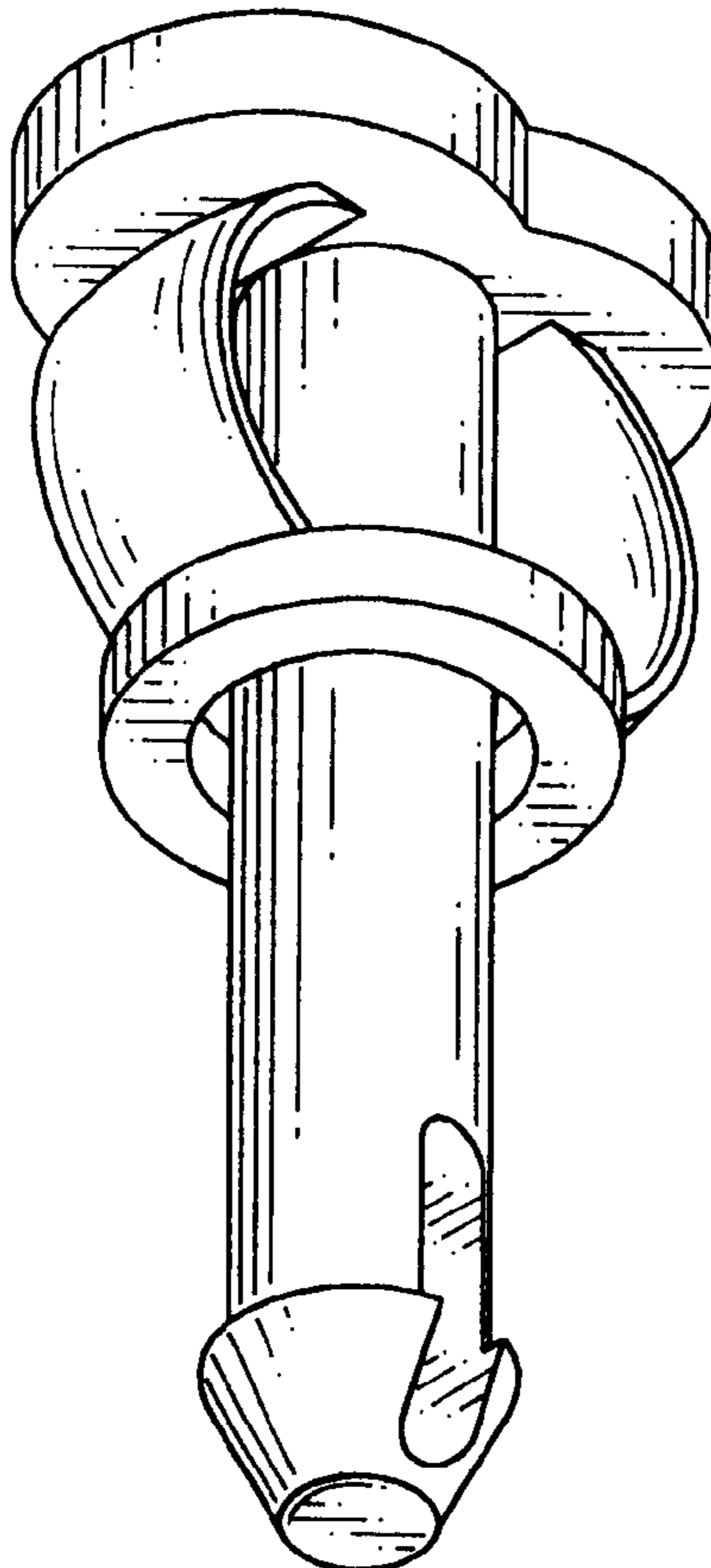
(57) **CLAIM**

The ornamental design for a heat sink fastener, as shown.

DESCRIPTION

FIG. 1 is a perspective view of a heat sink fastener, showing my new design;
 FIG. 2 is a front elevational view thereof;
 FIG. 3 is a rear elevational view thereof;
 FIG. 4 is a left side elevational view thereof;
 FIG. 5 is a right side elevational view thereof;
 FIG. 6 is a top plan view thereof; and,
 FIG. 7 is a bottom plan view thereof.

1 Claim, 3 Drawing Sheets



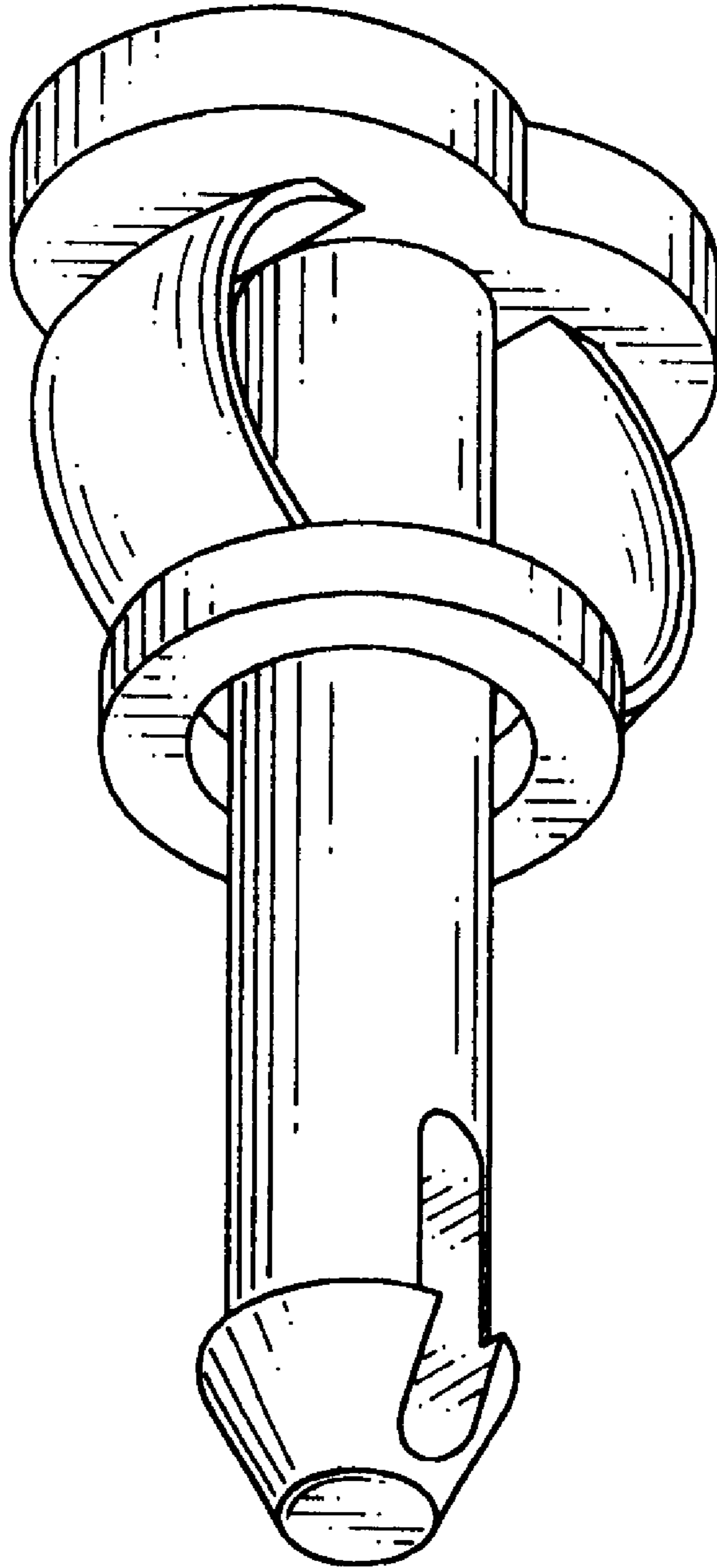


FIG. 1

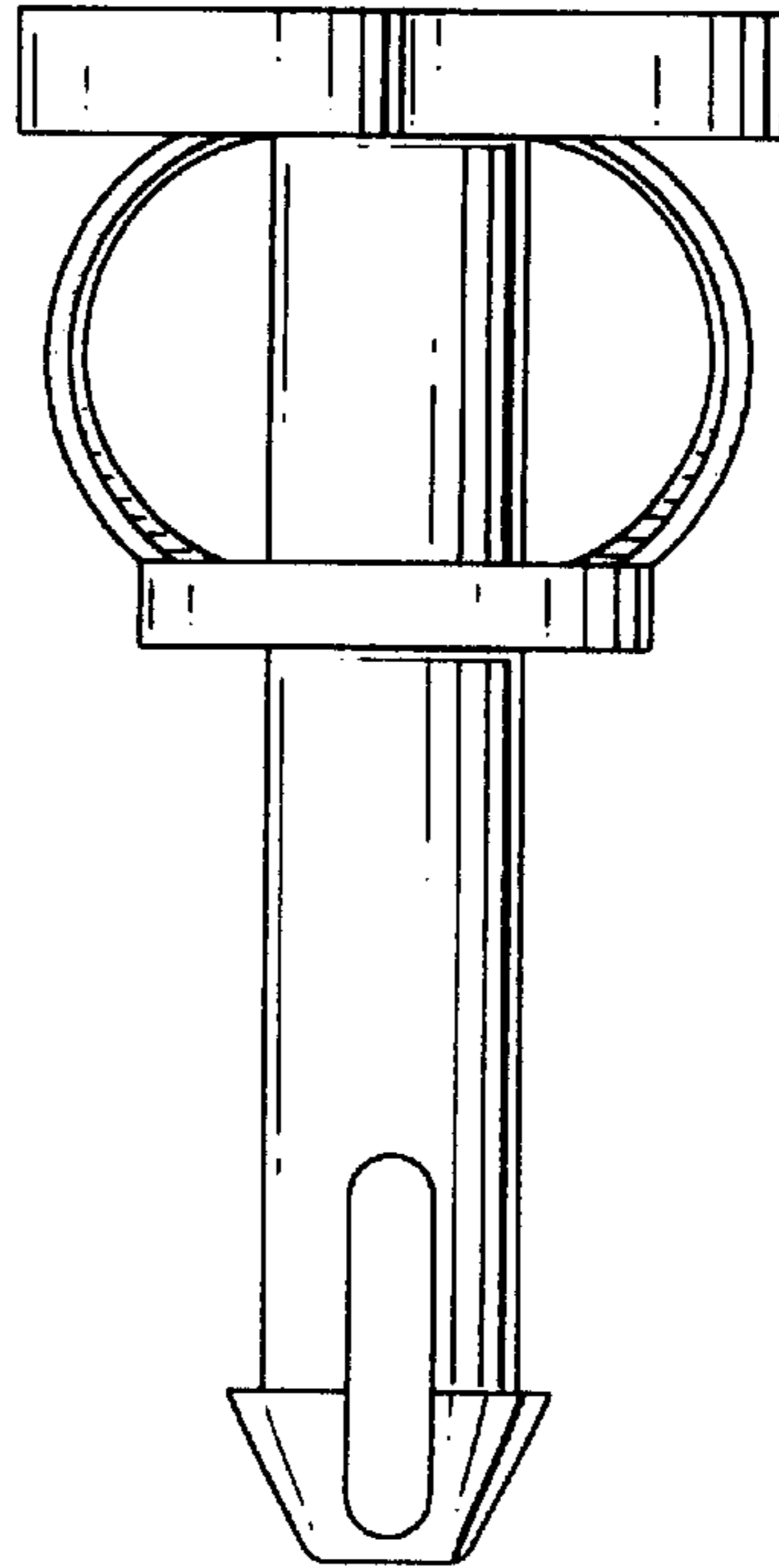


FIG. 2

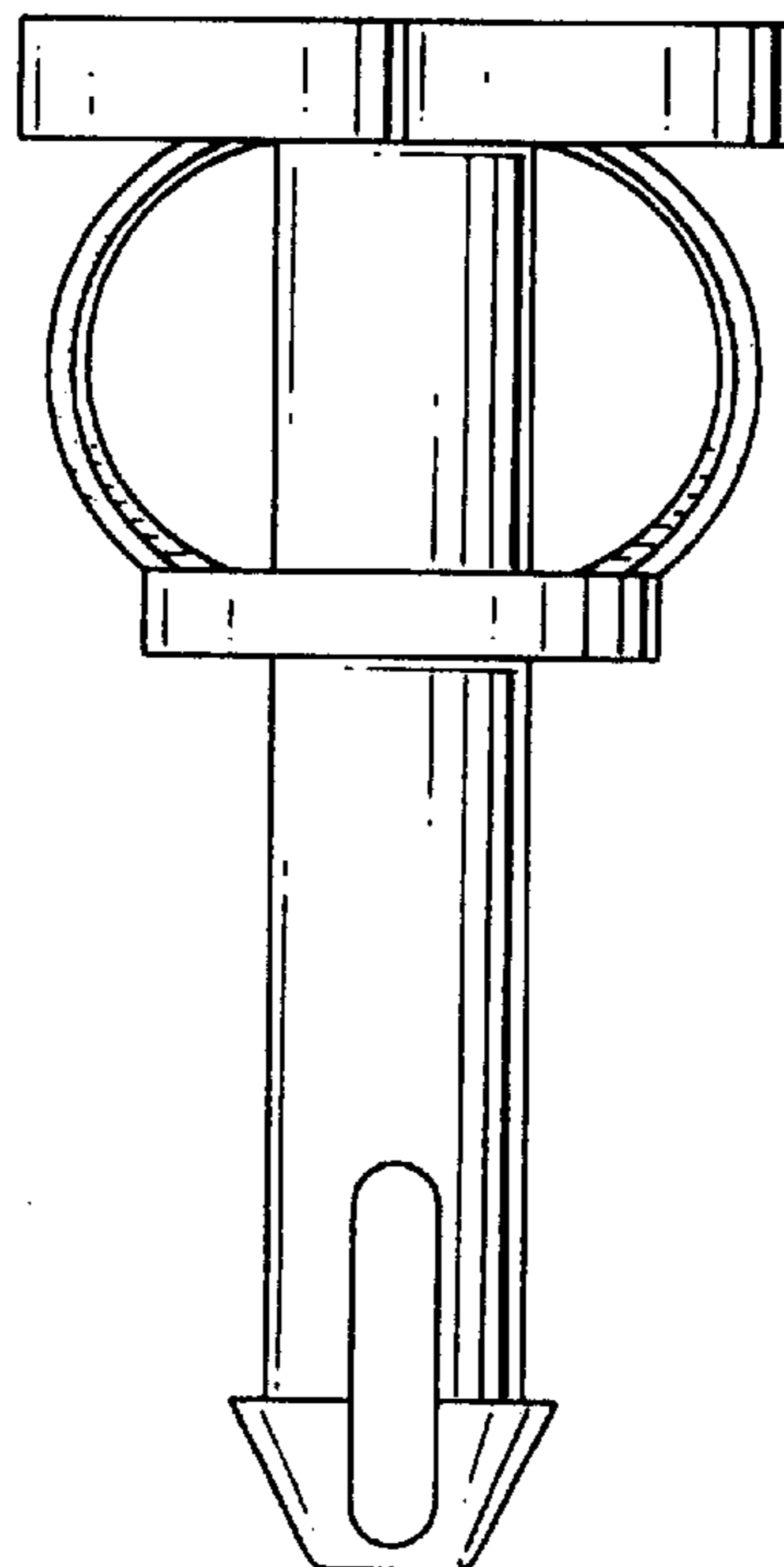


FIG. 3

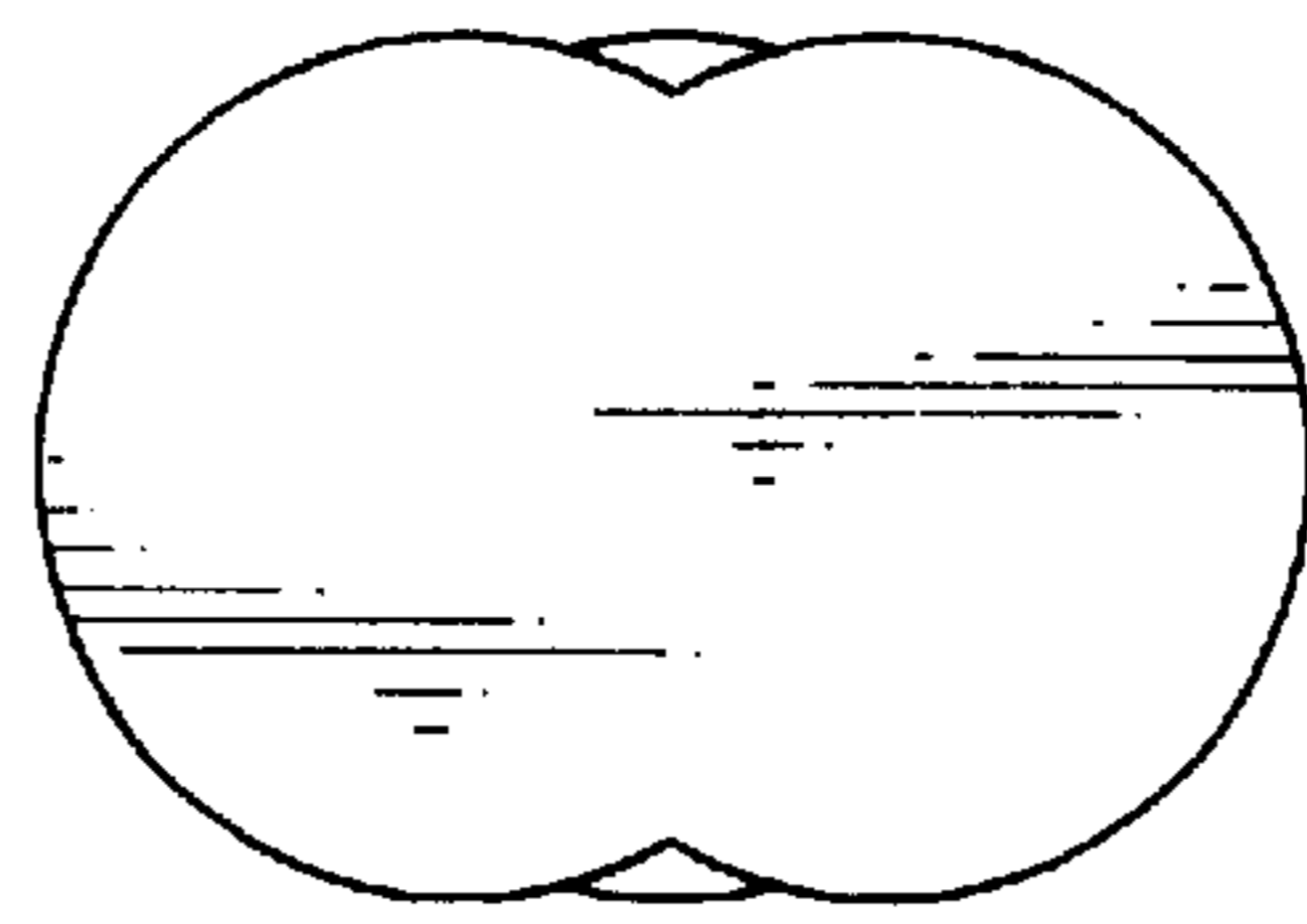


FIG. 6

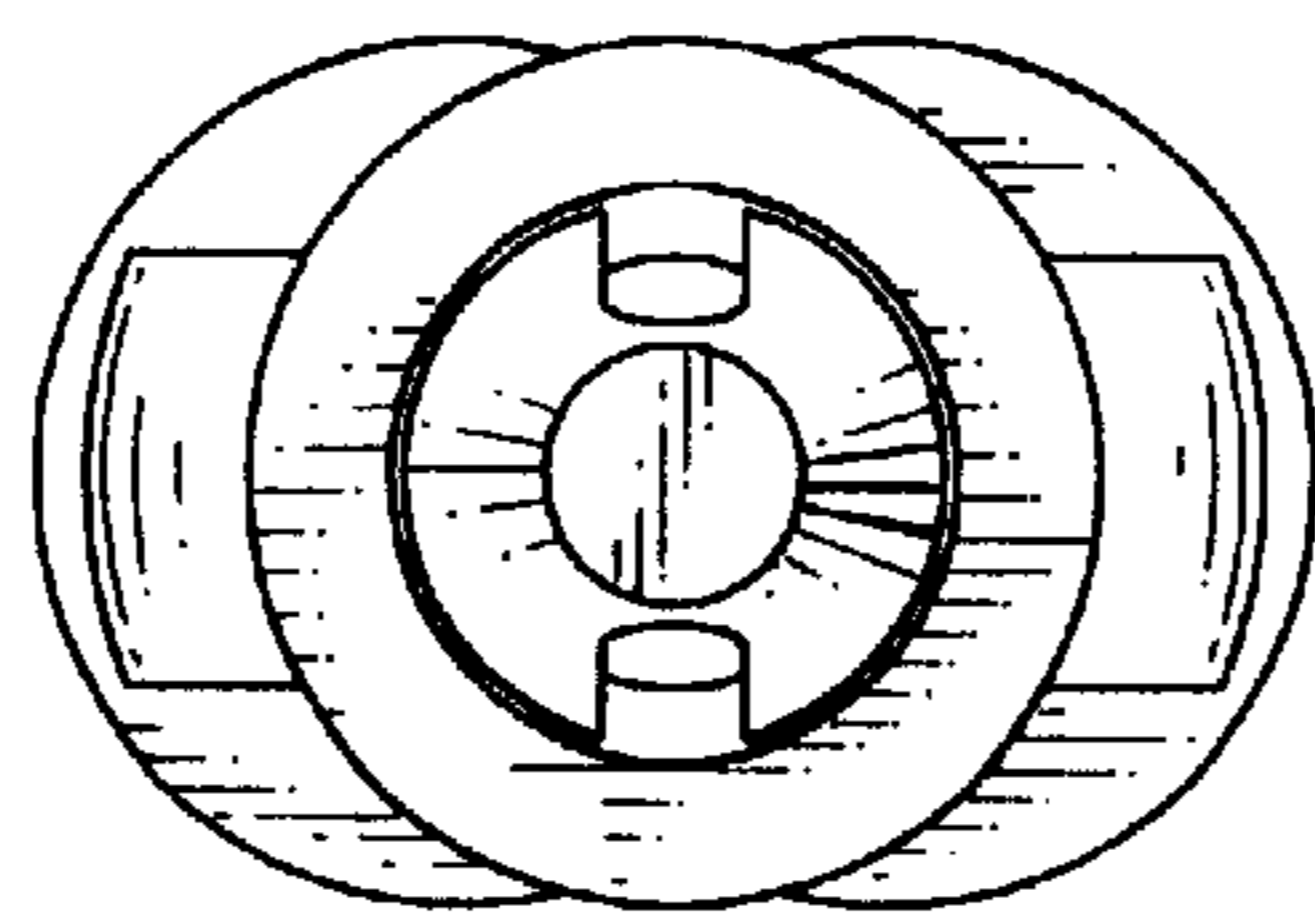


FIG. 7

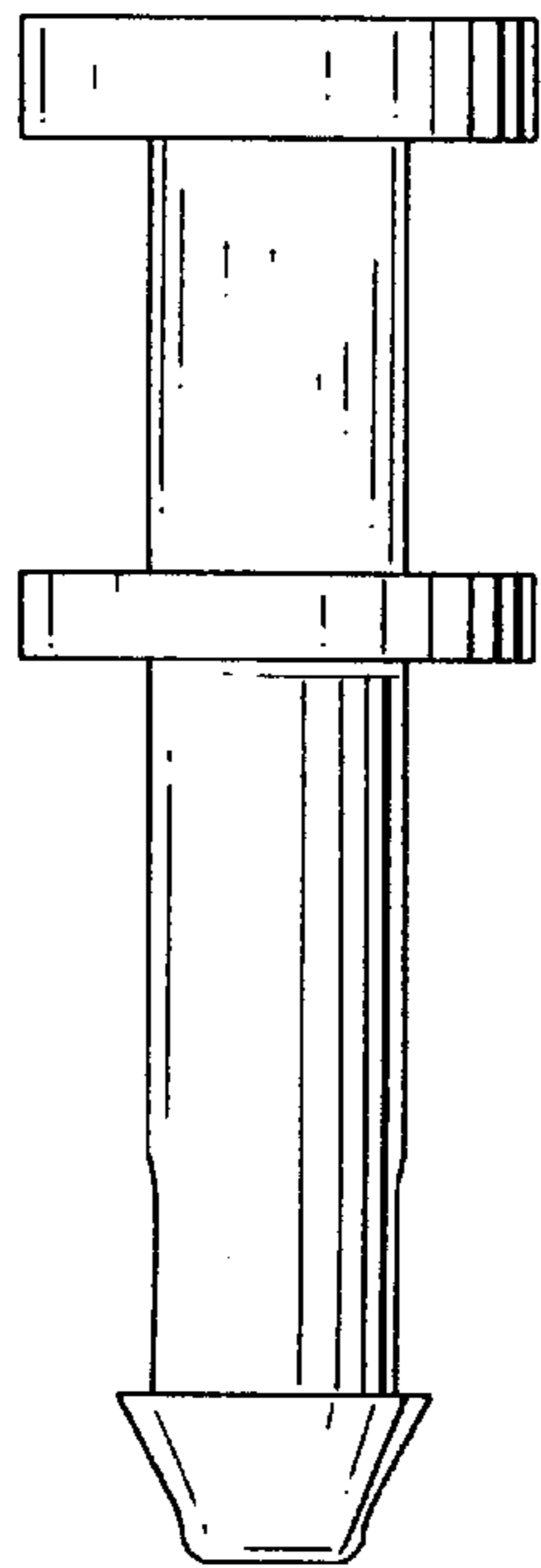


FIG. 5

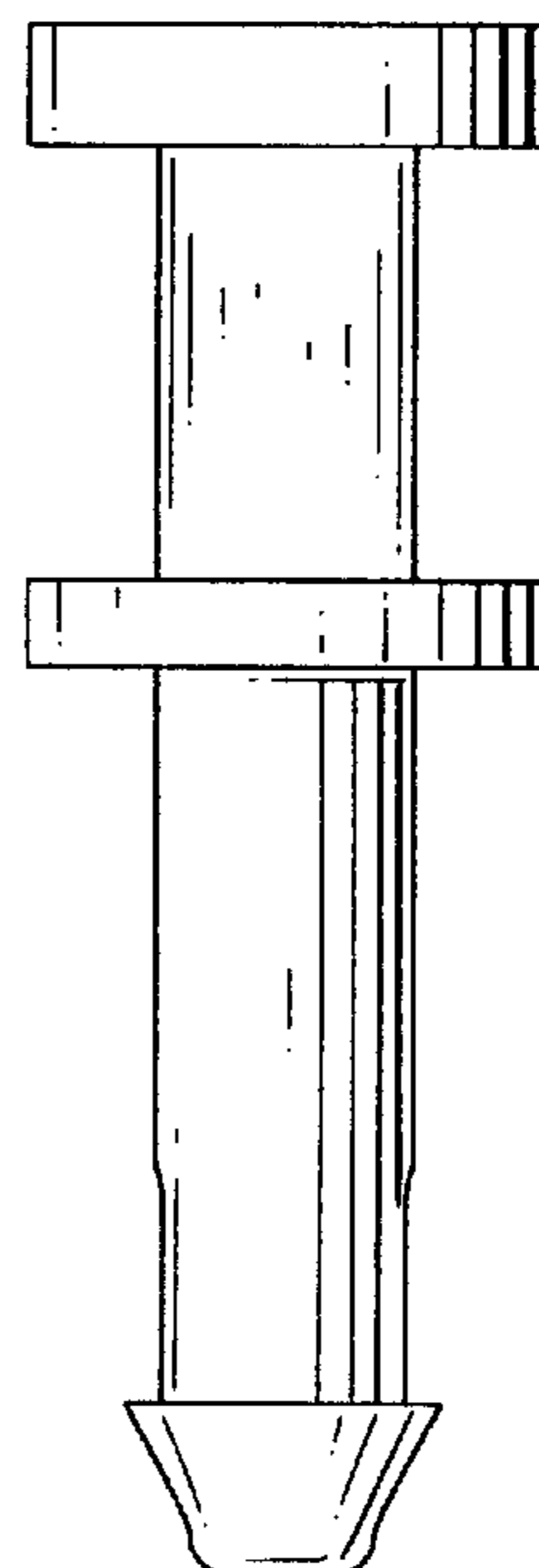


FIG. 4