



US00D451787B1

(12) **United States Design Patent**  
**Taft**

(10) **Patent No.:** **US D451,787 S**

(45) **Date of Patent:** **\*\* Dec. 11, 2001**

(54) **SIDING CLIP**

5,249,108 9/1993 Gary .  
5,351,017 \* 9/1994 Yano et al. .... 333/12  
5,496,005 3/1996 Dieringer .

(76) Inventor: **Frank Edwin Taft**, HC 61, Box 308,  
St. George, ME (US) 04857

\* cited by examiner

(\*\*) Term: **14 Years**

*Primary Examiner*—Alan P. Douglas

*Assistant Examiner*—Clare E. Heflin

(21) Appl. No.: **29/118,270**

(74) *Attorney, Agent, or Firm*—Jones, Tullar & Cooper PC

(22) Filed: **Feb. 8, 2000**

(57) **CLAIM**

(51) **LOC (7) Cl.** ..... **08-05**

The ornamental design of a siding clip, as shown and described.

(52) **U.S. Cl.** ..... **D8/366**

(58) **Field of Search** ..... D8/349, 354, 366,  
D8/380, 382; D12/223; 24/570; 52/537;  
248/231.81, 300, 544, 558, 214, 911

**DESCRIPTION**

(56) **References Cited**

FIG. 1 is a perspective view of a siding clip in accordance with the present invention, installed between two courses of siding, as depicted in dashed lines, and providing a clip for suspending desired items;

FIG. 2 is a perspective view of the siding clip of the present invention;

FIG. 3 is a left side view thereof, the right side view being essentially identical;

FIG. 4 is a rear elevation view thereof;

FIG. 5 is a bottom view thereof; and,

FIG. 6 is a top view thereof.

The broken lines shown on the drawings are for illustrative purposes only and form no part of the claimed design.

**U.S. PATENT DOCUMENTS**

109,382	*	11/1870	Bulla	.....	24/570
D. 223,082	*	3/1972	Fromm	.....	D8/366
D. 260,419	*	8/1981	Oates	.....	D22/134
D. 419,430	*	1/2000	Williams	.....	D8/382
1,161,559	*	11/1915	Weigel	.....	24/570
1,308,066		7/1919	Hayes	.	
1,308,265	*	7/1919	Spear et al.	.....	52/537
2,471,584		5/1949	Richards	.	
3,074,676		1/1963	Watson	.	
3,208,701		9/1965	Erickson	.	
4,599,830	*	7/1986	Nawrot	.....	52/92.2
4,811,475		3/1989	Morton, Jr.	.	

**1 Claim, 1 Drawing Sheet**

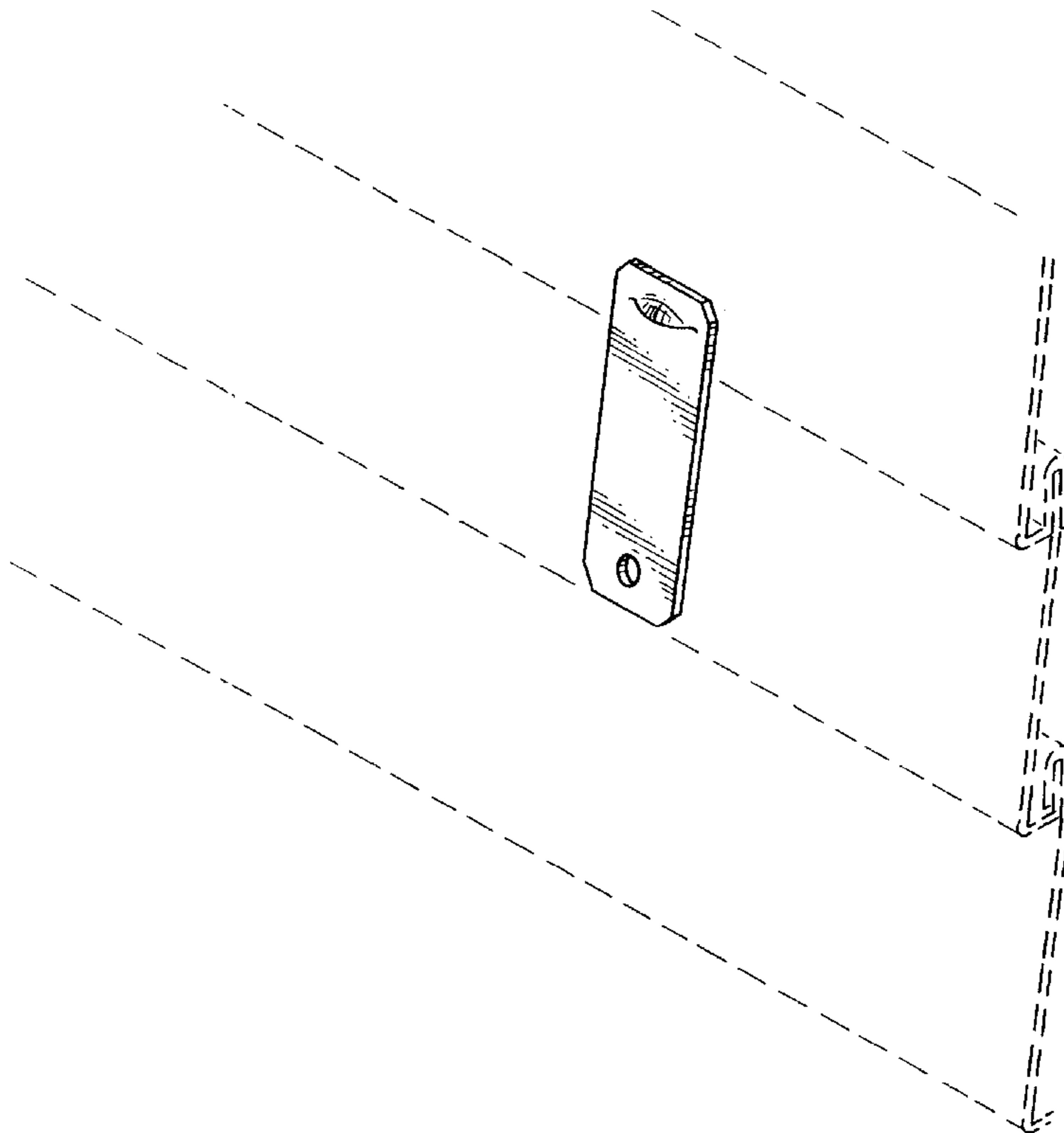


FIG. 1

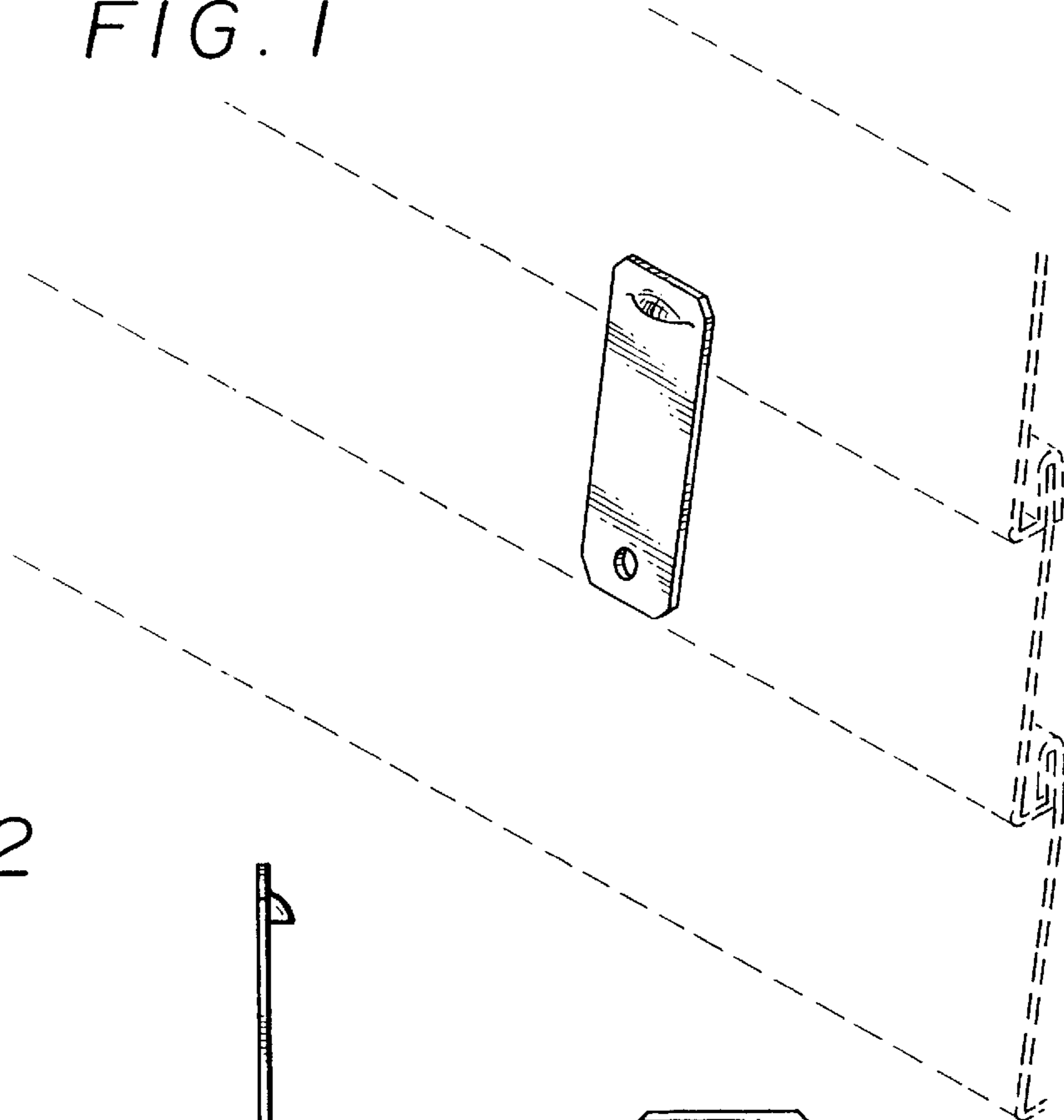


FIG. 2

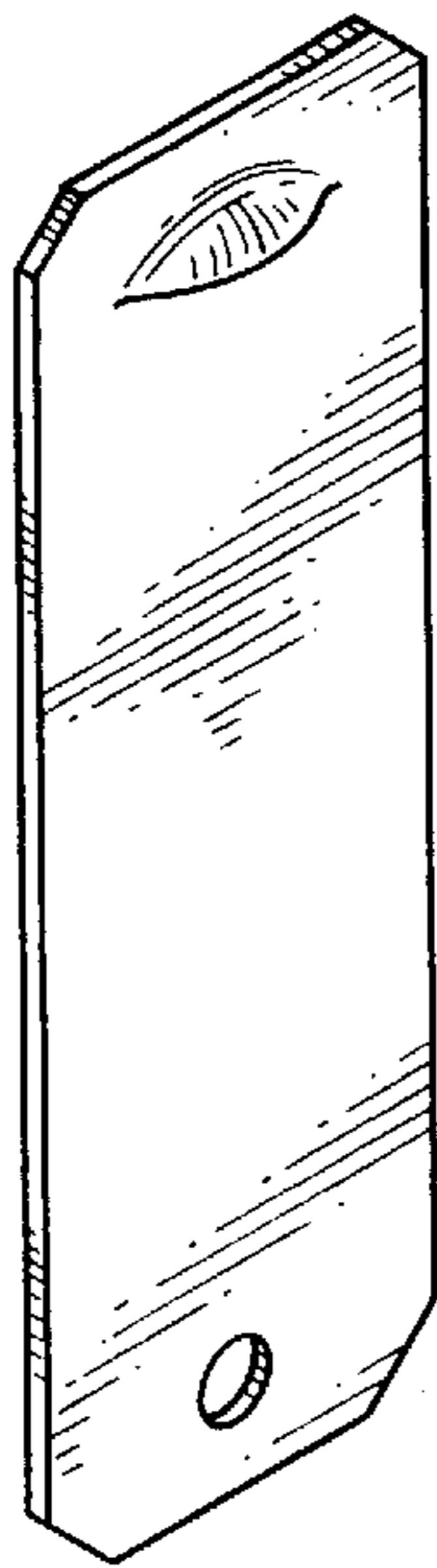


FIG. 3

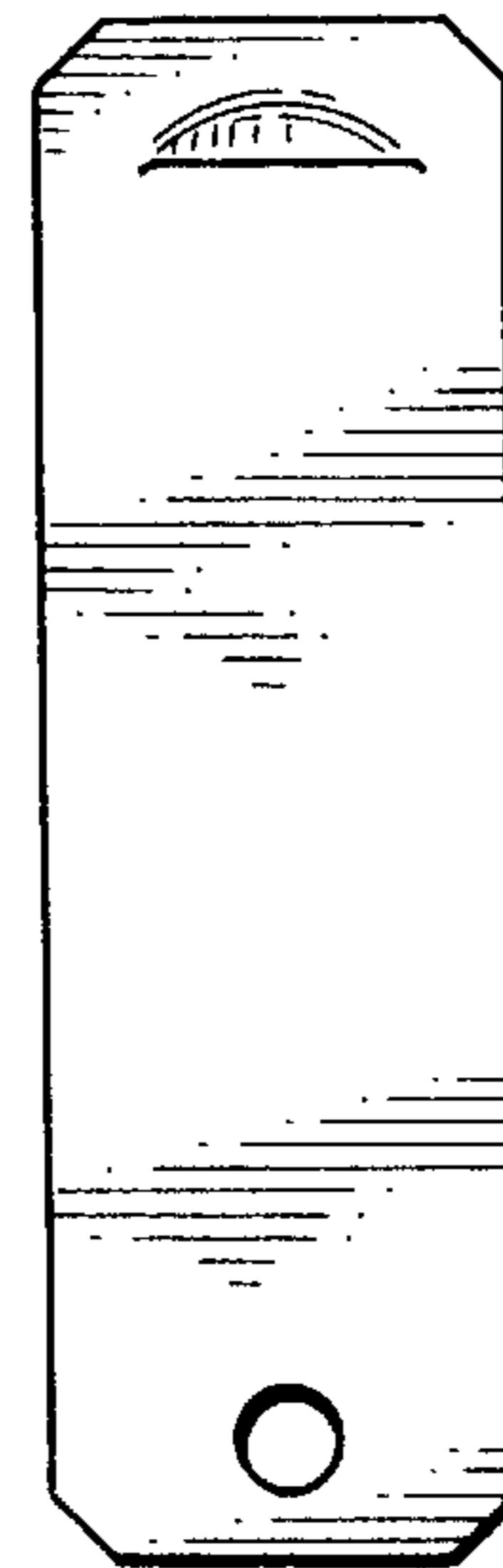


FIG. 4



FIG. 5



FIG. 6