



US00D451785B1

(12) **United States Design Patent**
Chaney et al.

(10) **Patent No.:** **US D451,785 S**

(45) **Date of Patent:** **** Dec. 11, 2001**

(54) **DECK PLANK ATTACHMENT CLIP**

D. 333,421 * 2/1993 Patti D8/356
5,899,042 * 5/1999 Pellock 52/696
6,005,195 * 12/1999 Kam 174/135

(75) Inventors: **Michael T. Chaney**, Middletown;
Jonathan C. Hauberg, Beavercreek;
Paul A. Siudzinski, Springboro, all of
OH (US)

* cited by examiner

(73) Assignee: **Dayton Technologies, L.L.C.**, Monroe,
OH (US)

Primary Examiner—Pamela Burgess
(74) *Attorney, Agent, or Firm*—Jacox, Mecerstroth &
Jenkins

(**) Term: **14 Years**

(57) **CLAIM**

(21) Appl. No.: **29/129,042**

The ornamental design of a deck plank attachment clip, as
shown and described.

(22) Filed: **Sep. 6, 2000**

DESCRIPTION

(51) **LOC (7) Cl.** **08-05**

(52) **U.S. Cl.** **D8/354**

(58) **Field of Search** D8/354, 349, 366,
D8/356, 373, 376, 377, 380; 248/68.1,
314, 558, 242, 243, 300, 200, 309.1, 552,
94.01, 237, 903, 71, 220.41; 52/733.1-733.3,
177, 181, 772, 702, 512, 480, 483.1; 211/26,
70.1, 87.01, 85.2, 94.01; 119/406, 529

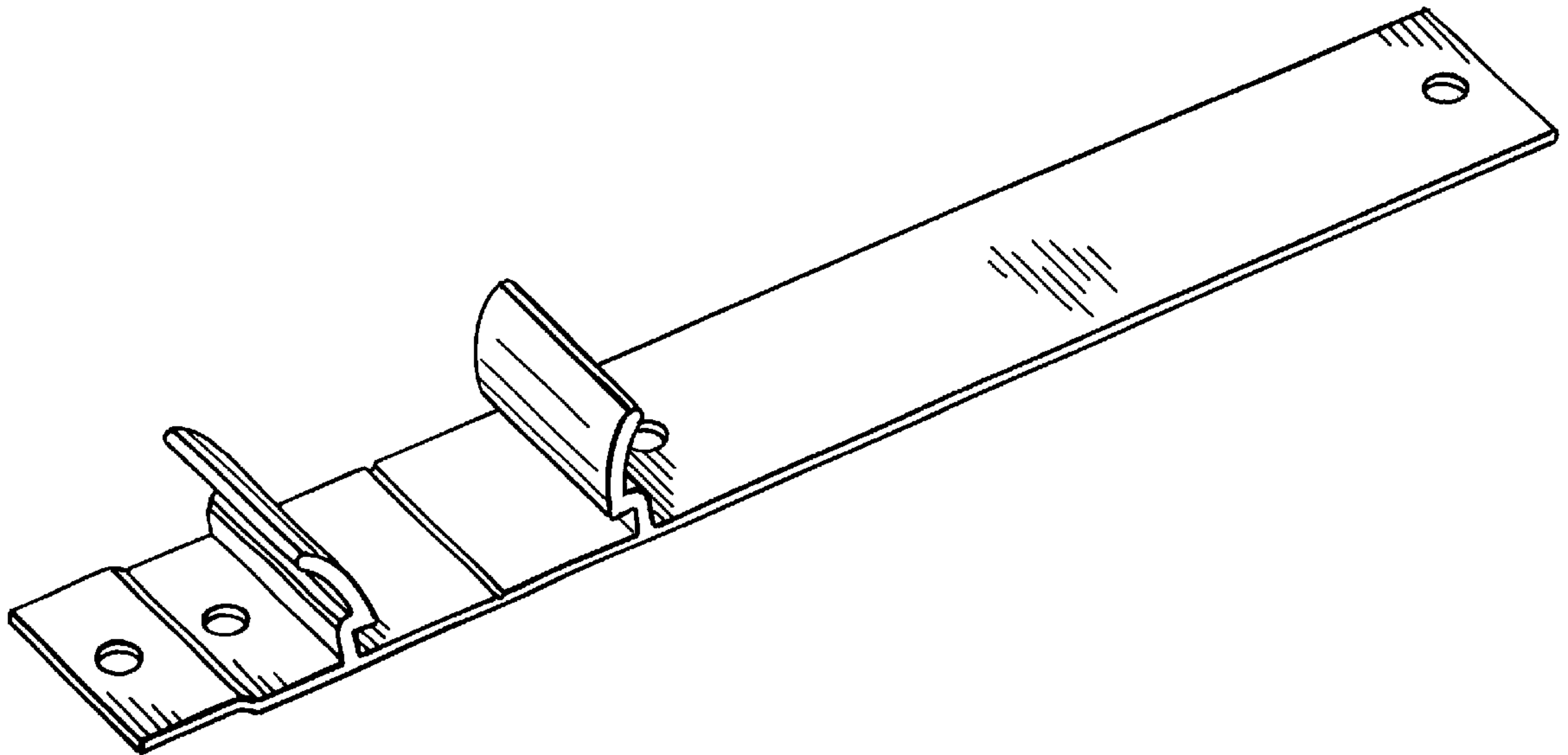
FIG. 1 is a perspective view of a deck plank attachment clip,
showing our new design;
FIG. 2 is a top view thereof;
FIG. 3 is a side view thereof, the opposite side view being
a mirror image;
FIG. 4 is a bottom view thereof;
FIG. 5 is a left end view thereof; and,
FIG. 6 is a right end view thereof.

(56) **References Cited**

U.S. PATENT DOCUMENTS

D. 272,412 * 1/1984 Shanklin D8/343

1 Claim, 1 Drawing Sheet



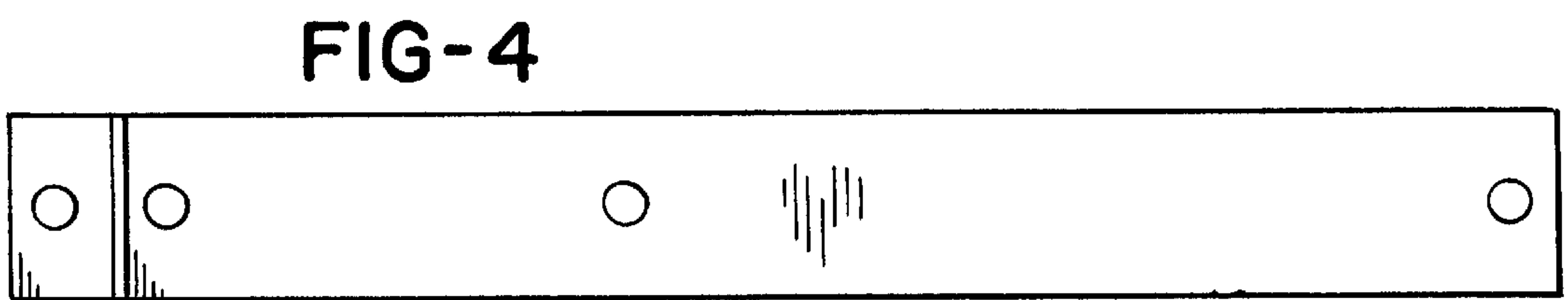
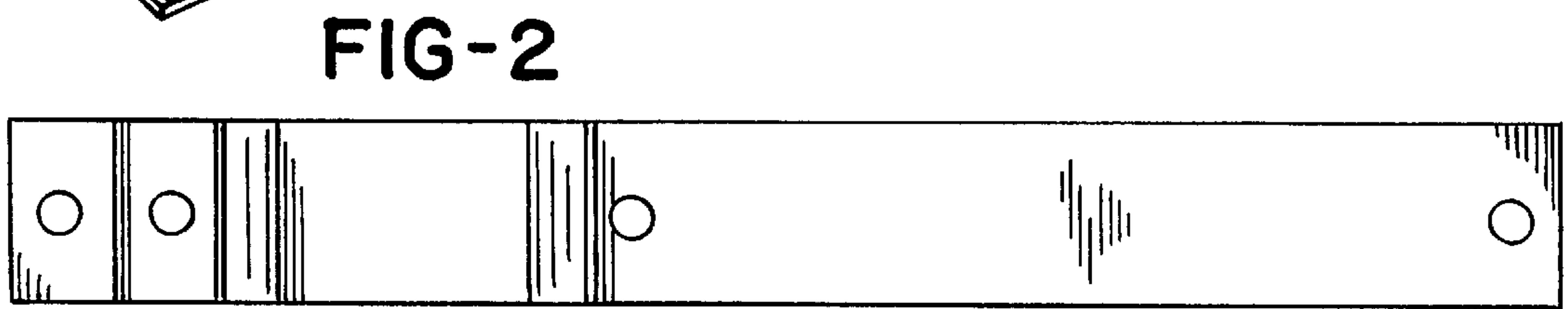
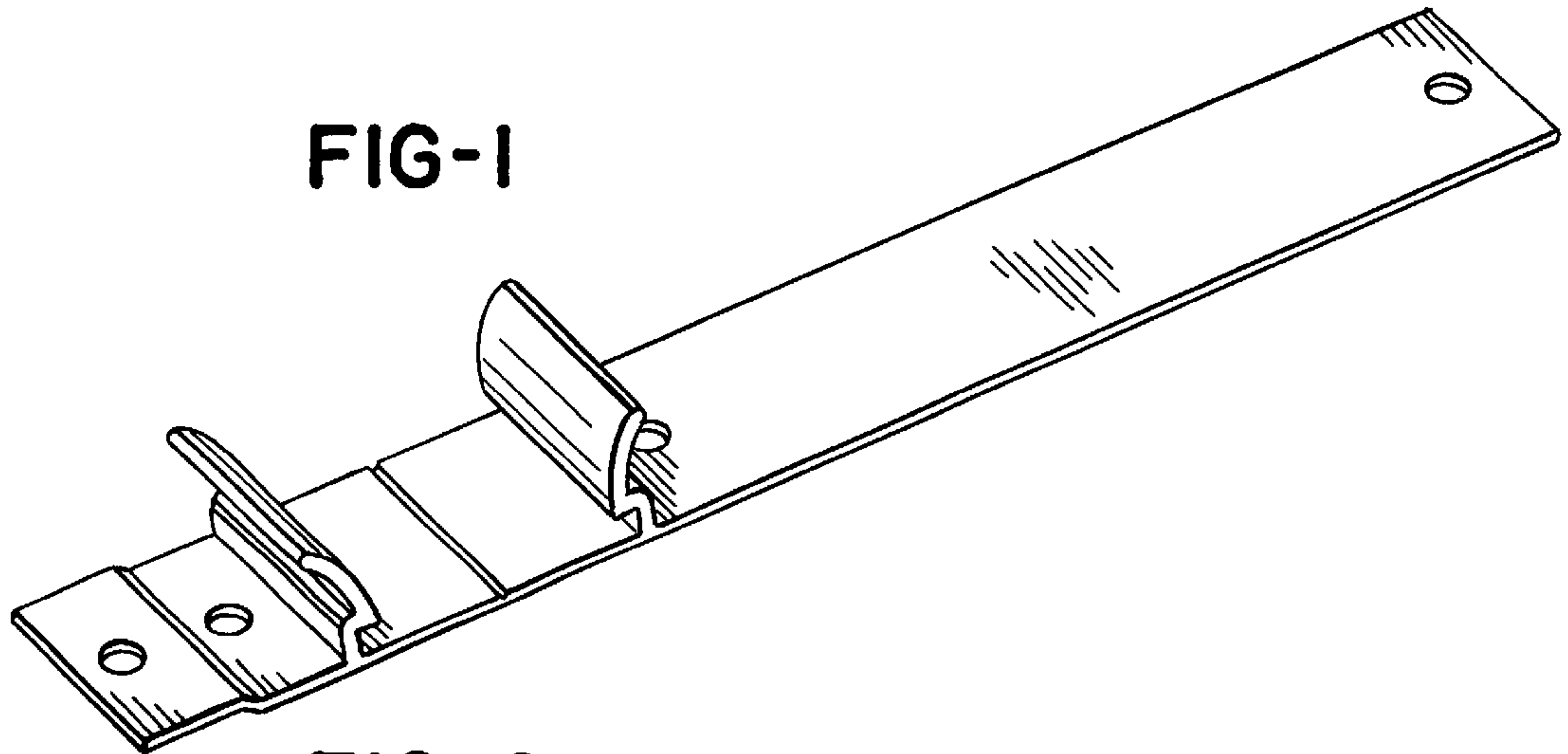


FIG-5

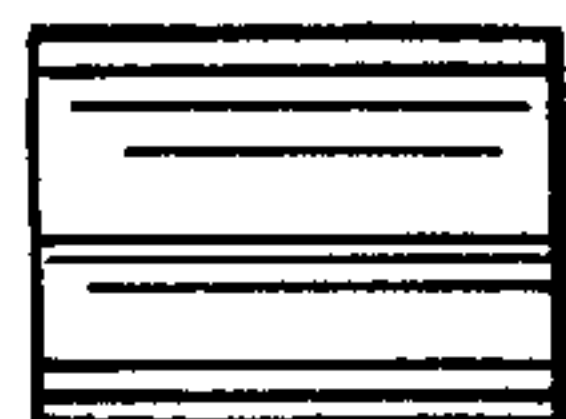


FIG-6

