



US00D451784B1

(12) **United States Design Patent**
Doerr et al.

(10) **Patent No.:** **US D451,784 S**

(45) **Date of Patent:** **** Dec. 11, 2001**

(54) **ELECTRONIC KEY**

(75) Inventors: **Alan Doerr**, Tomball, TX (US); **Paul K. Metaxatos**, Brookline, MA (US)

(73) Assignee: **Schlage Lock Company**, Colorado Springs, CO (US)

(**) Term: **14 Years**

(21) Appl. No.: **29/139,874**

(22) Filed: **Apr. 6, 2001**

(51) **LOC (7) Cl.** **08-07**

(52) **U.S. Cl.** **D8/347**

(58) **Field of Search** D8/347, 348; 70/393, 70/402-407, 409-412, 278.3, 278.2

(56) **References Cited**

U.S. PATENT DOCUMENTS

D. 187,083	*	1/1960	Henshaw	D8/347
D. 433,922	*	11/2000	Hatada et al.	D8/347
D. 439,134	*	3/2001	Aimblad	D8/347

* cited by examiner

Primary Examiner—Jennifer Rivard

(74) *Attorney, Agent, or Firm*—Michael Best & Friedrich LLP

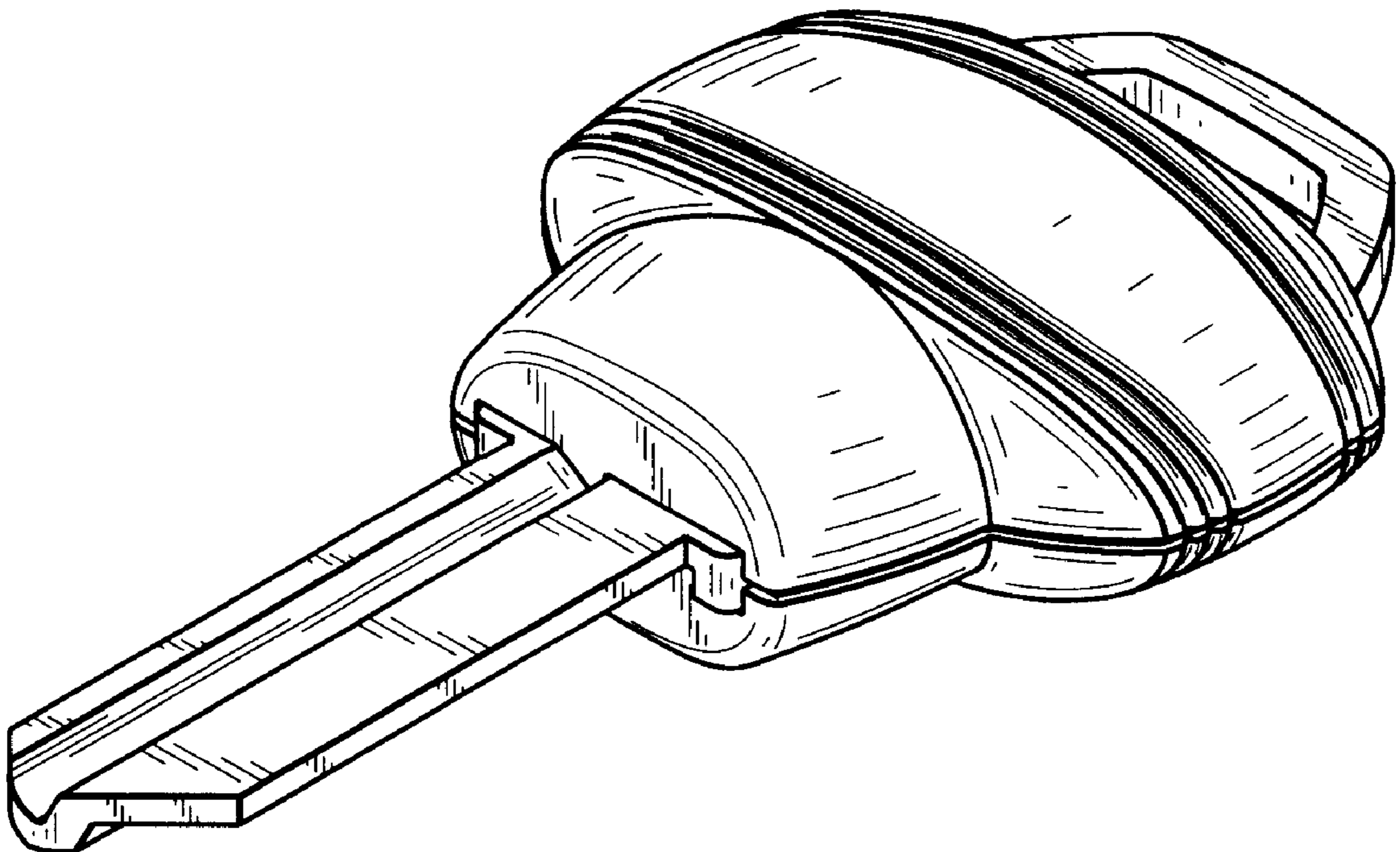
(57) **CLAIM**

The ornamental design for an electronic key, as shown and described.

DESCRIPTION

FIG. 1 is a perspective view of an electronic key showing our new design;
 FIG. 2 is a perspective view, from a different angle, of the electronic key according to the present invention;
 FIG. 3 is a front view of the electronic key according to the present invention;
 FIG. 4 is a back view of the electronic key according to the present invention;
 FIG. 5 is a top view of the electronic key according to the present invention;
 FIG. 6 is a bottom view of the electronic key according to the present invention;
 FIG. 7 is a left side view of the electronic key according to the present invention; and,
 FIG. 8 is a right side view of the electronic key according to the present invention.

1 Claim, 2 Drawing Sheets



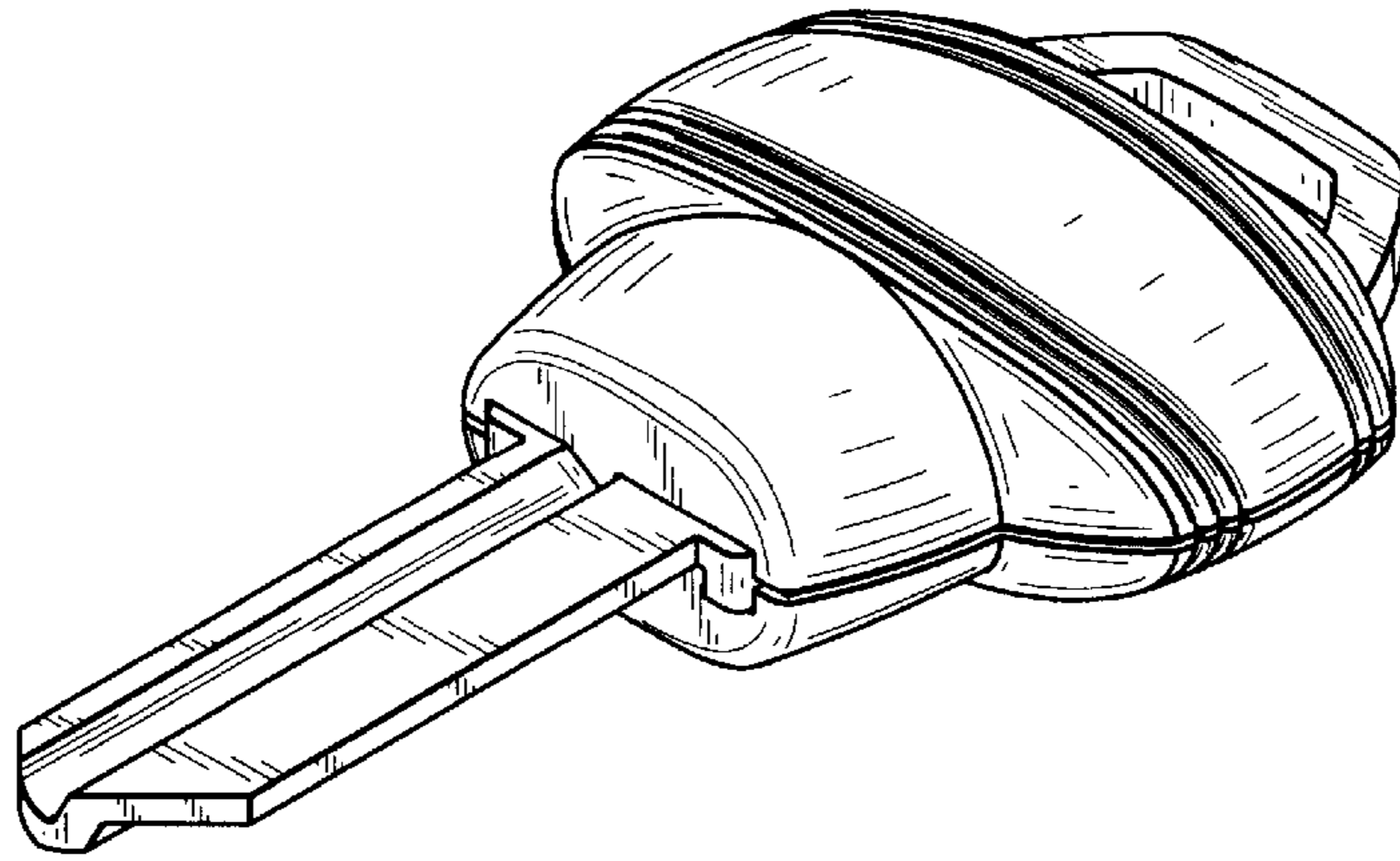


Fig. 1

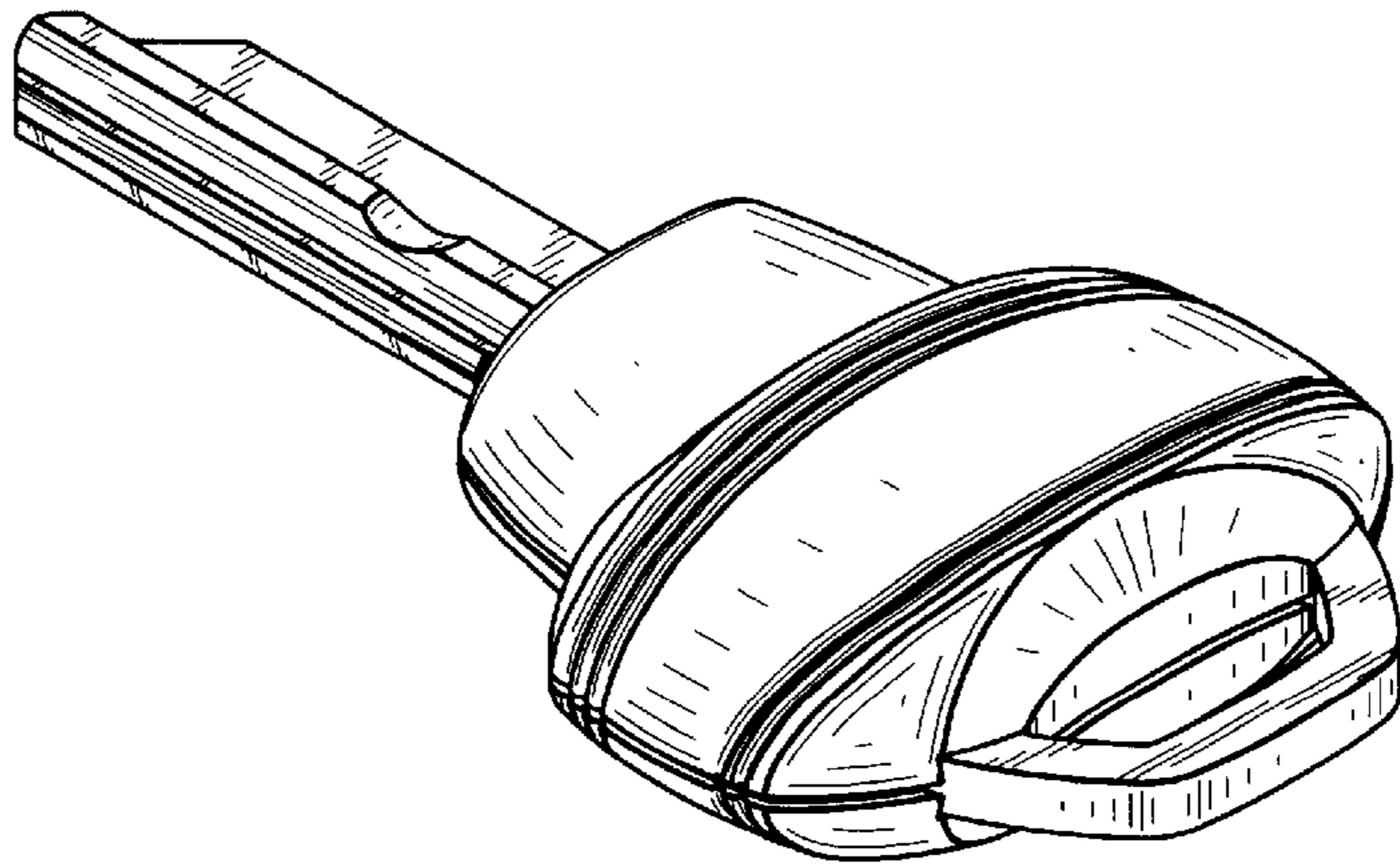


Fig. 2

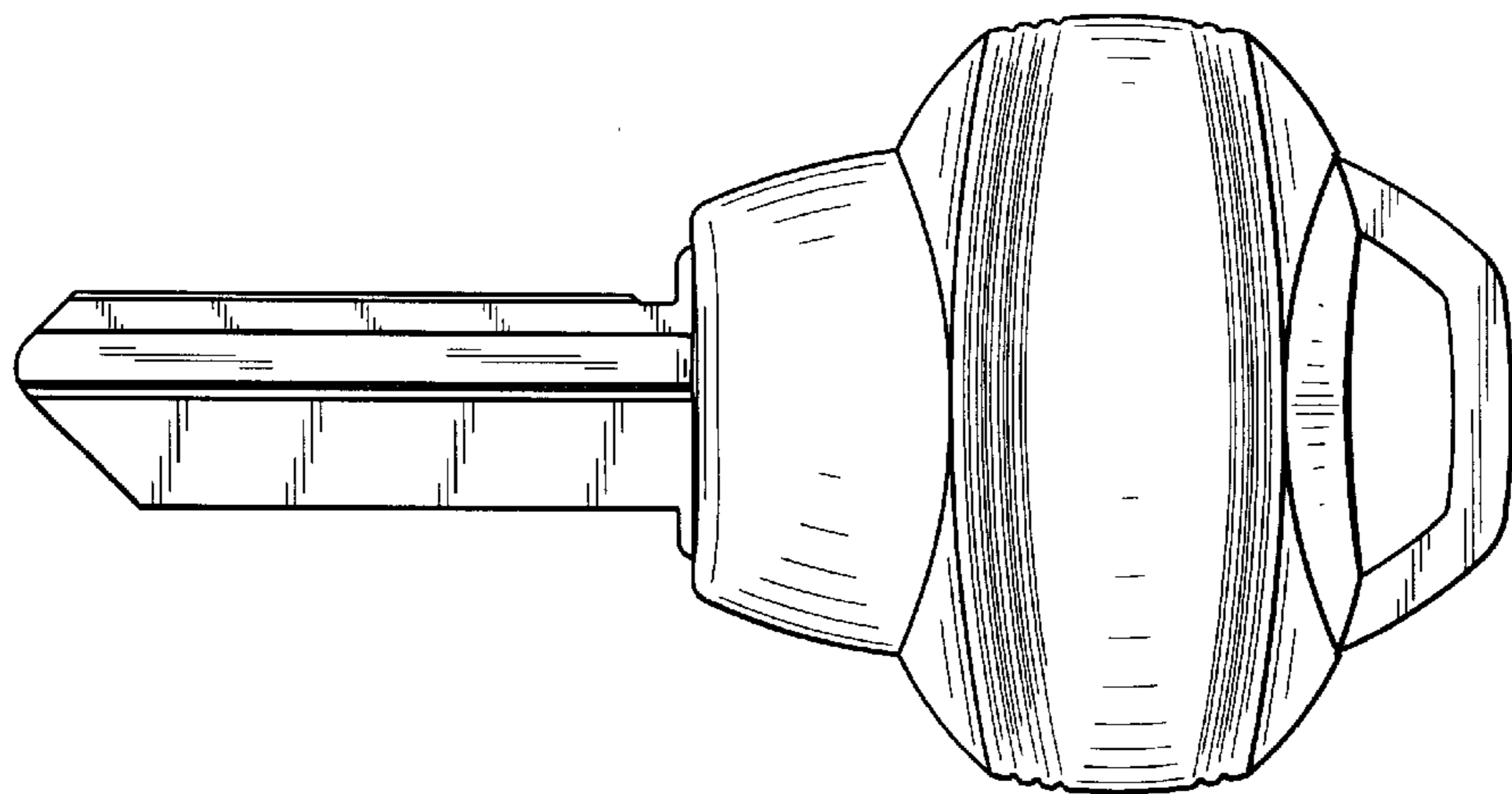


Fig. 3

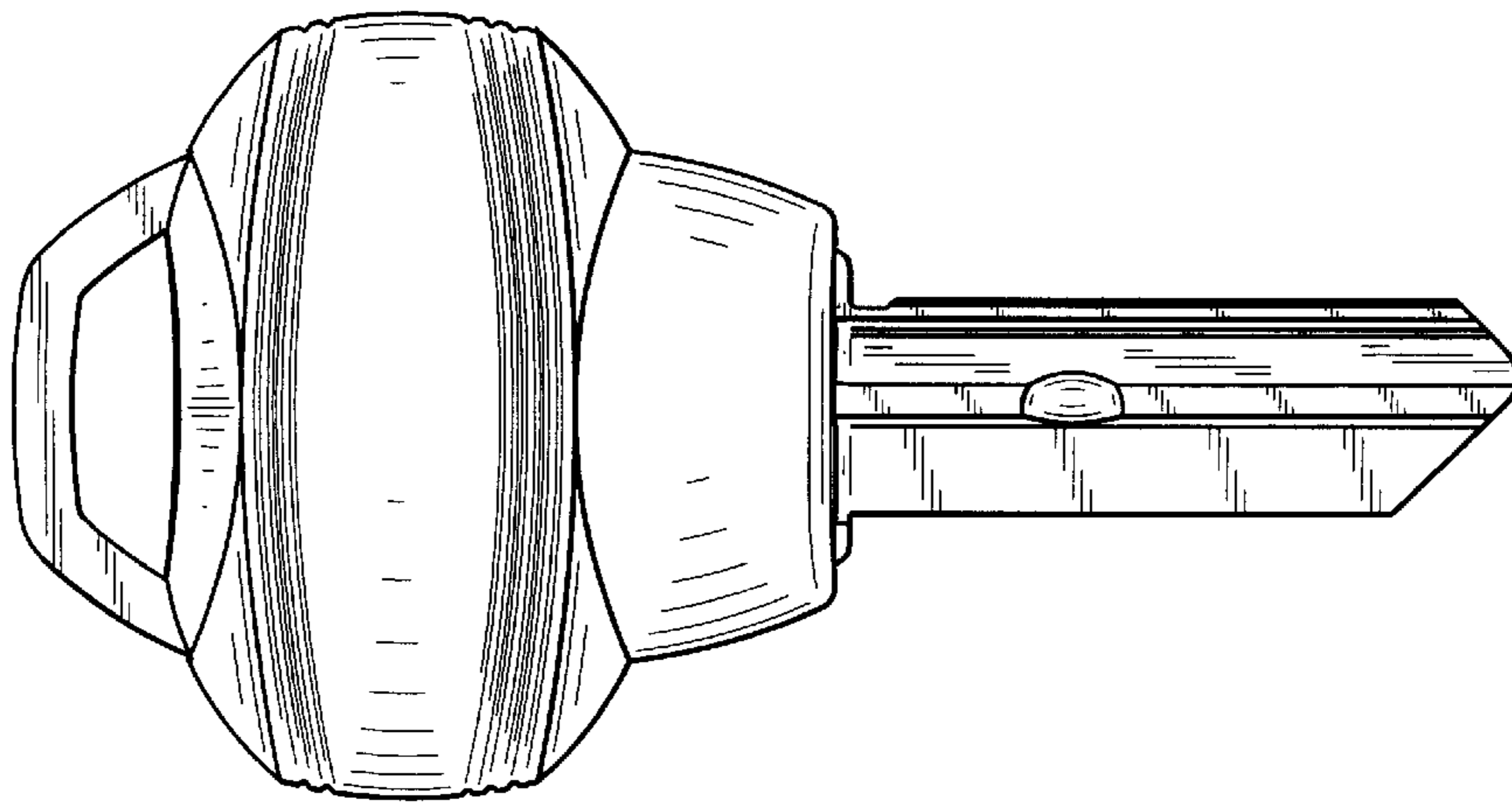


Fig. 4

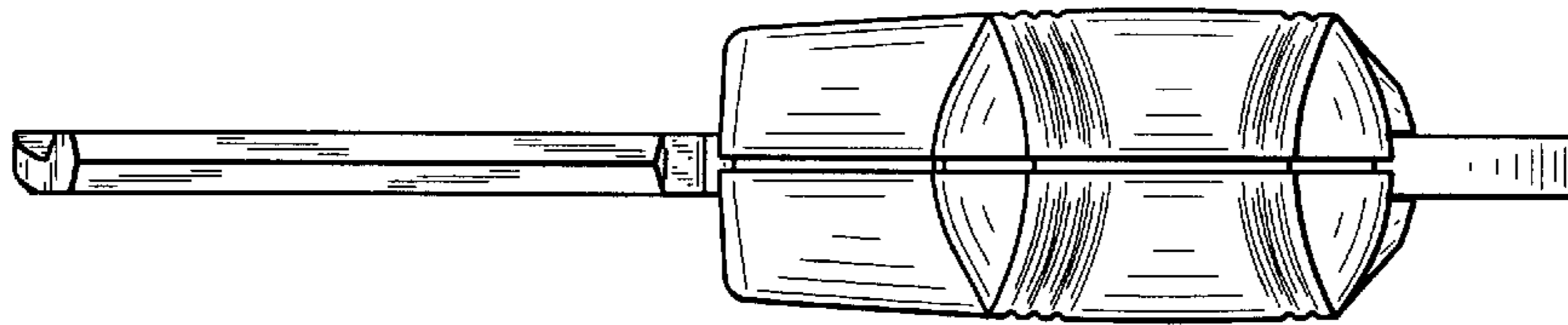


Fig. 5

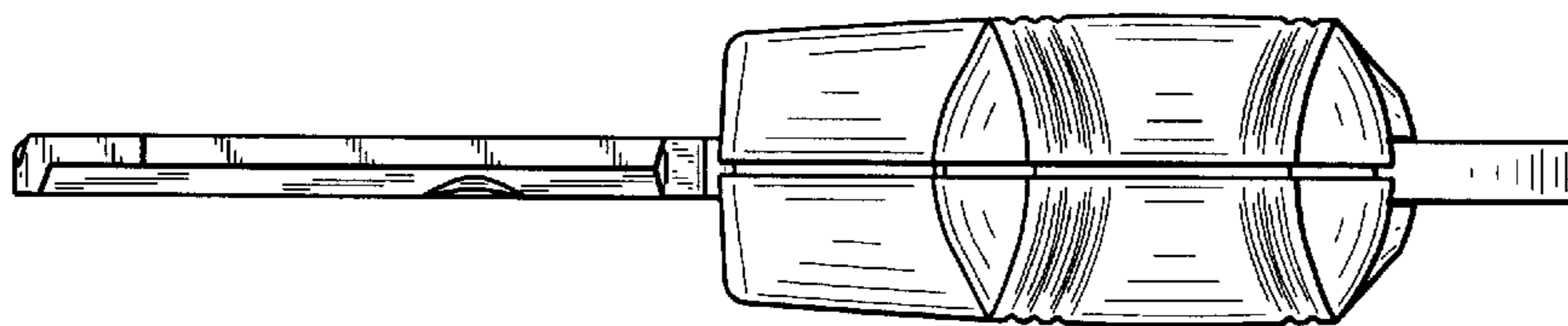


Fig. 6

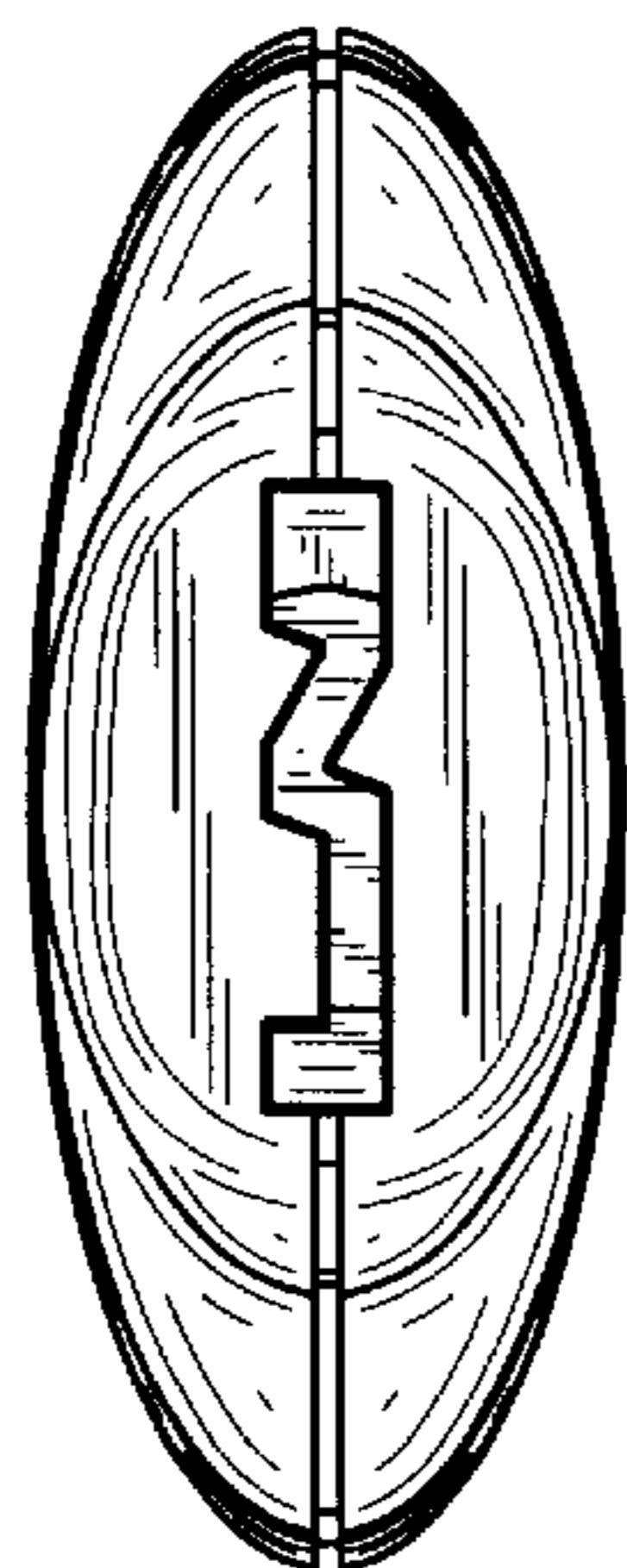


Fig. 7

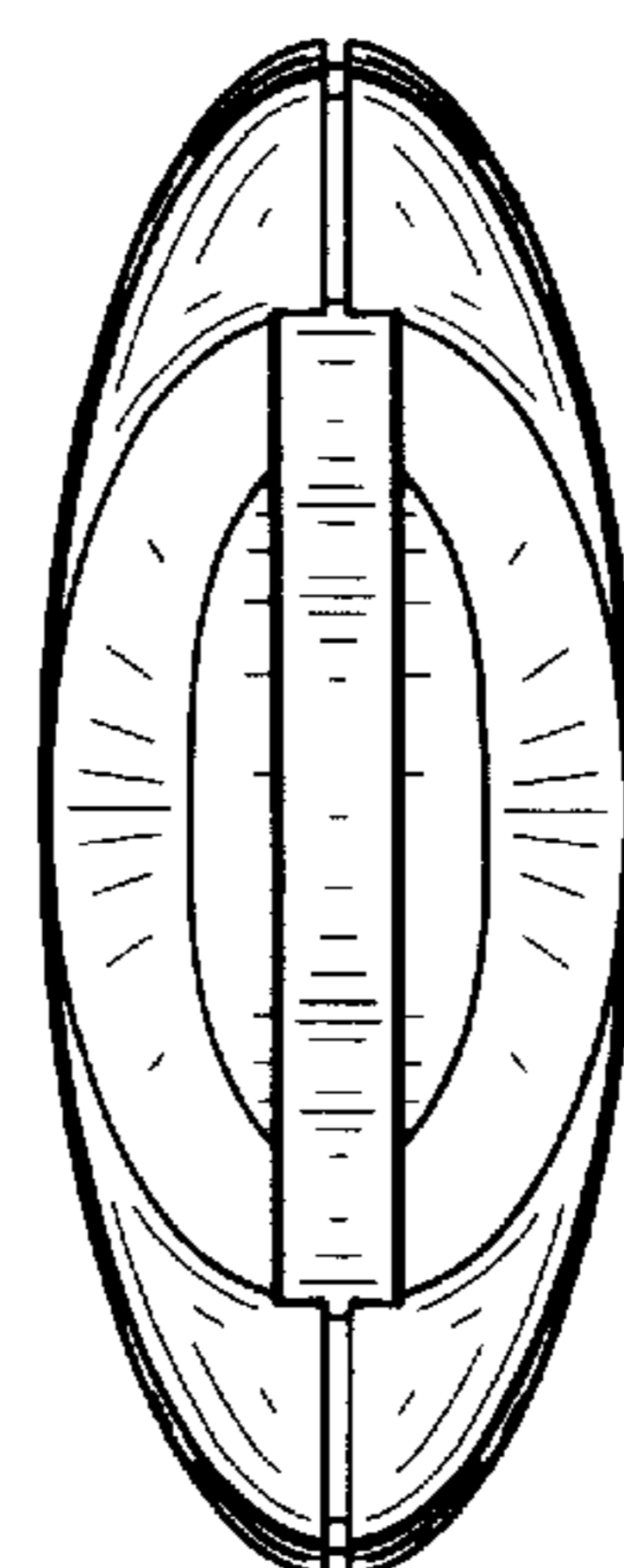


Fig. 8