



US00D451783B1

(12) **United States Design Patent**
Yu

(10) **Patent No.:** **US D451,783 S**

(45) **Date of Patent:** **** Dec. 11, 2001**

(54) **COMBINATION LOCK**

(76) Inventor: **Chun-Te Yu**, No. 253, Sec.3, Yen-Hi Rd., Fu Shing Hsiang Chang-Hwa Hsien (TW)

(**) Term: **14 Years**

(21) Appl. No.: **29/131,099**

(22) Filed: **Oct. 16, 2000**

(51) **LOC (7) Cl.** **08-07**

(52) **U.S. Cl.** **D8/334**

(58) **Field of Search** D8/330, 331, 333, D8/334; 70/14, 20-30, 35, 36, 37, 312

(56) **References Cited**

U.S. PATENT DOCUMENTS

D. 346,948	*	5/1994	Pedlar	D8/334
4,866,959	*	9/1989	Ling	70/25
5,396,785	*	3/1995	Chen	70/25
6,082,155	*	7/2000	Su	70/22

OTHER PUBLICATIONS

Item PL-610, Tekraft designer, Padlock.*

* cited by examiner

Primary Examiner—Jennifer Rivard

(74) *Attorney, Agent, or Firm*—Harrison & Egbert

(57) **CLAIM**

I claim the ornamental design for a combination lock, as shown and described.

DESCRIPTION

FIG. 1 is an upper perspective view of the combination lock showing my design.

FIG. 2 is a side view thereof;

FIG. 3 is an opposite side view thereof;

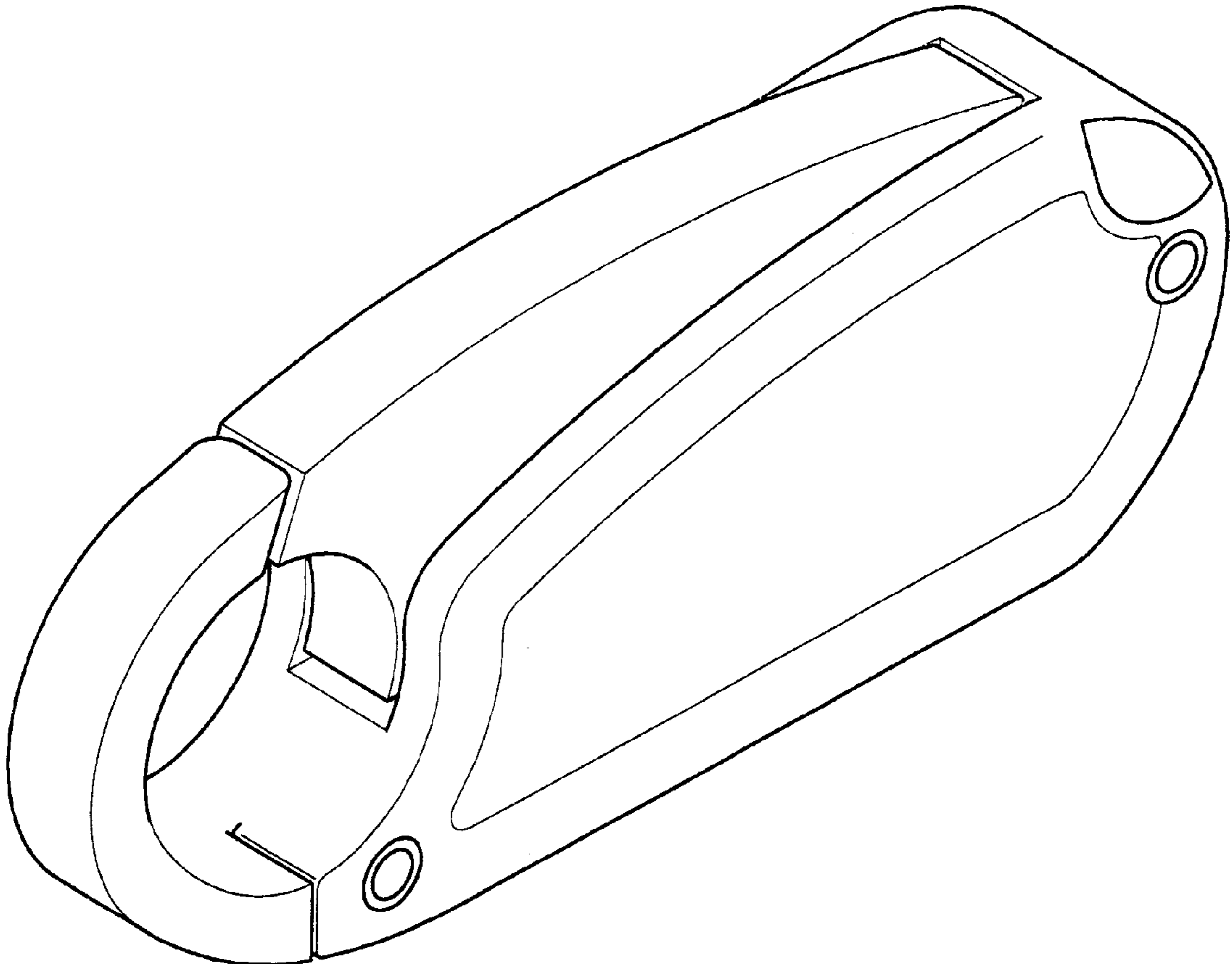
FIG. 4 is a back view thereof;

FIG. 5 is a front view thereof;

FIG. 6 is a top view thereof; and,

FIG. 7 is a bottom view thereof.

1 Claim, 4 Drawing Sheets



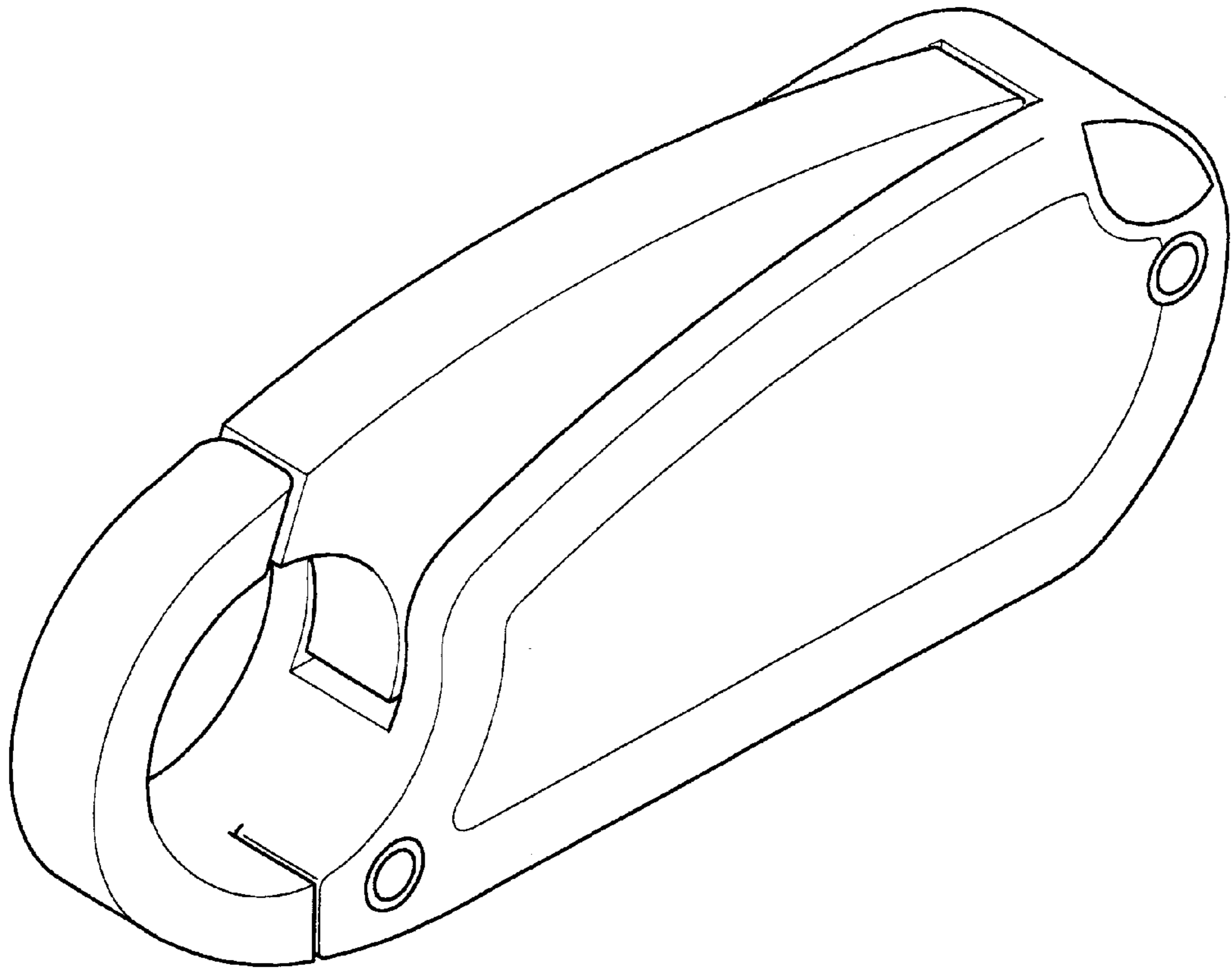


FIG. 1

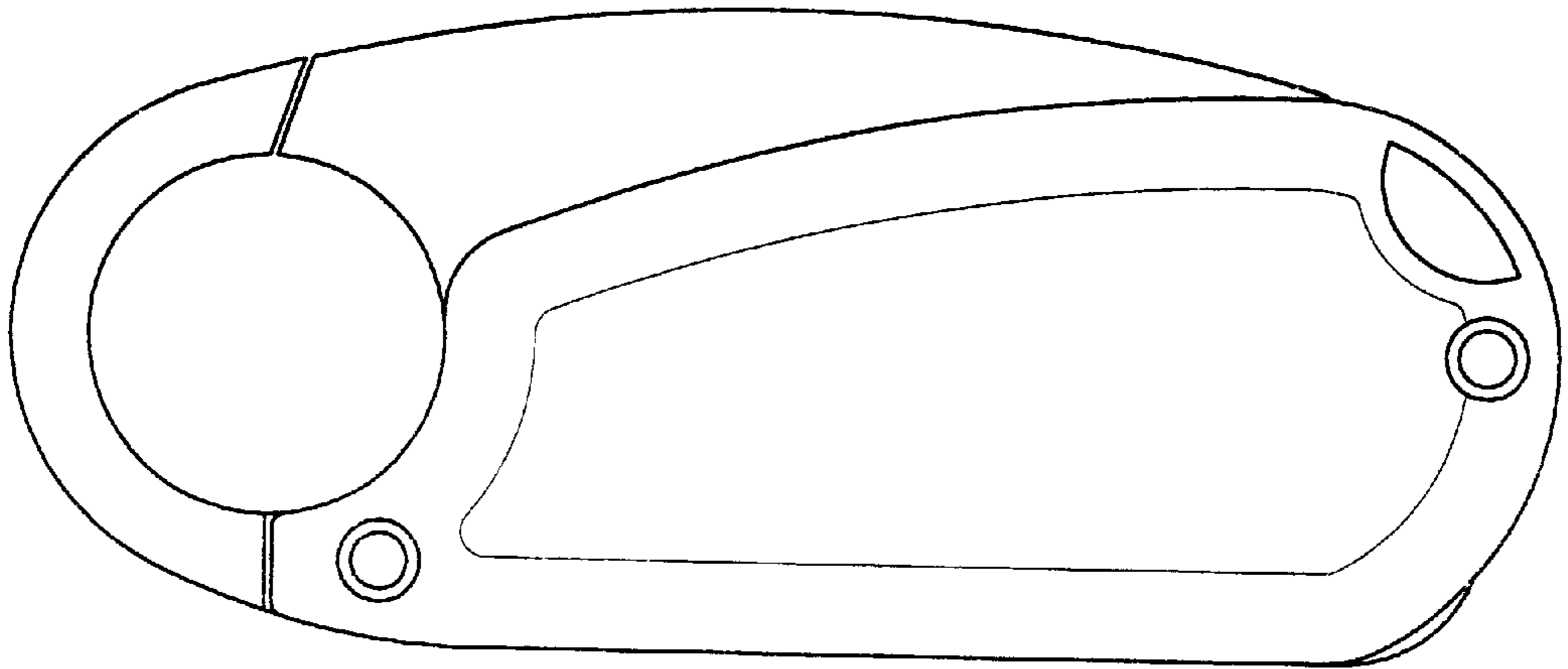


FIG. 2

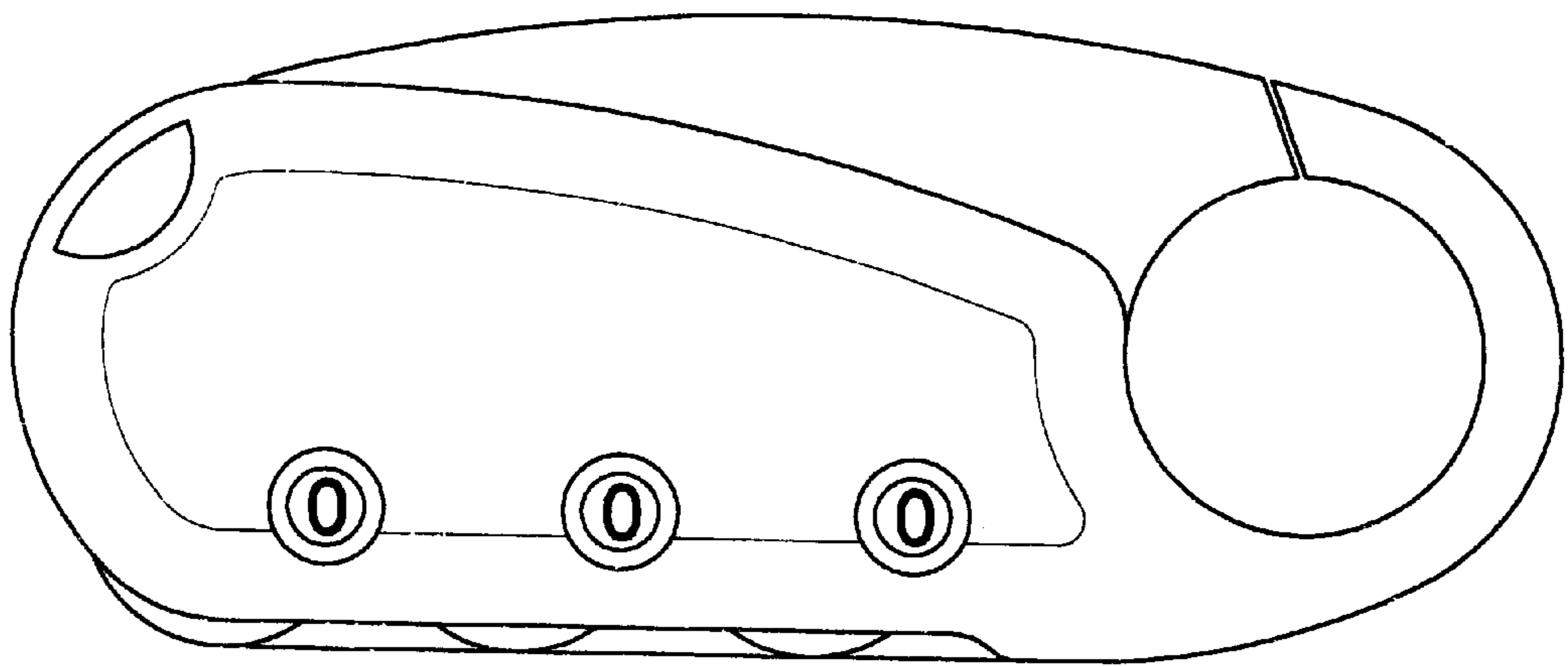


FIG. 3

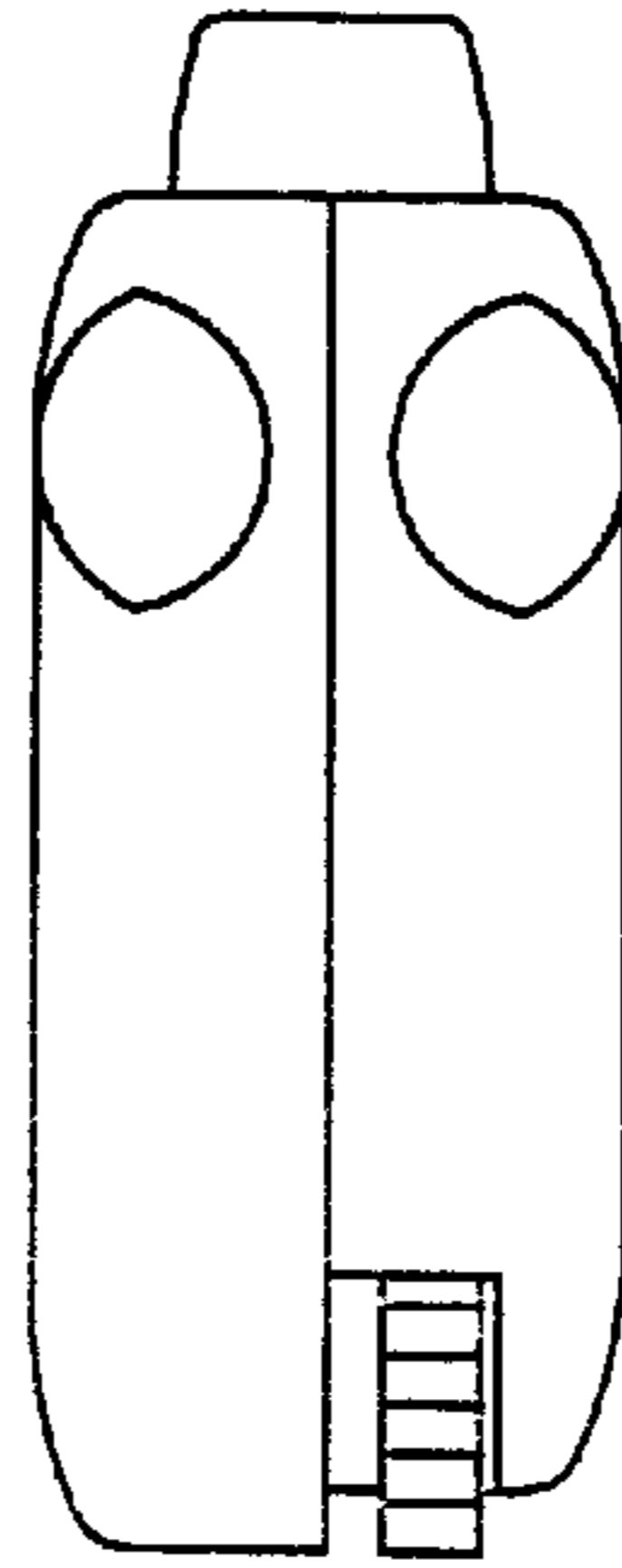


FIG. 4

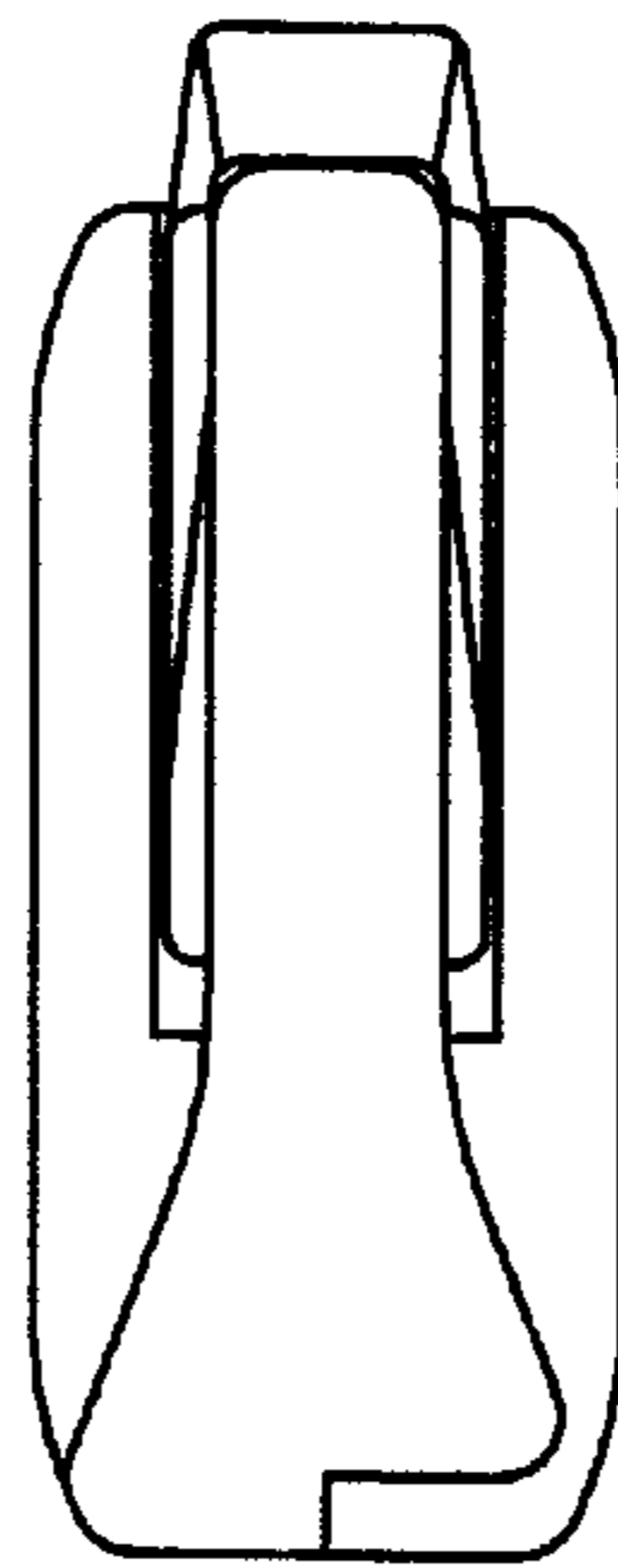


FIG. 5

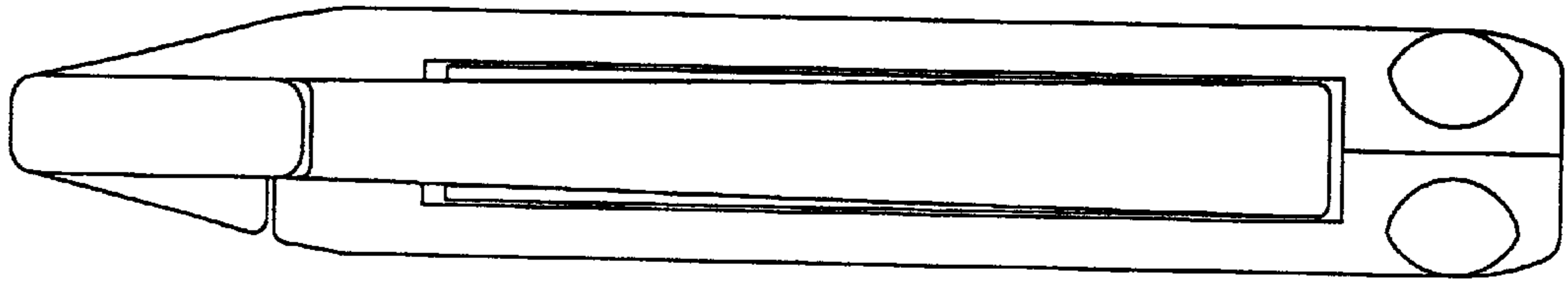


FIG. 6

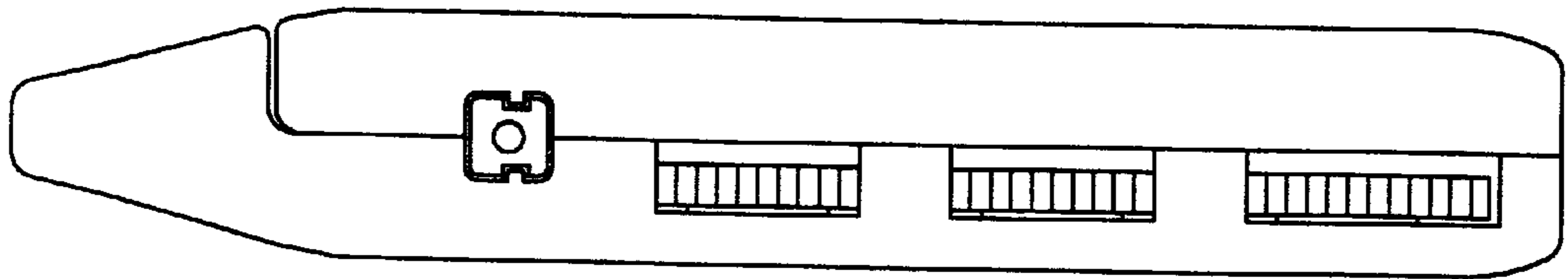


FIG. 7