



US00D451782B1

(12) **United States Design Patent**  
**Dewald**

(10) **Patent No.:** **US D451,782 S**

(45) **Date of Patent:** **\*\* Dec. 11, 2001**

(54) **PULL**

(75) **Inventor:** **Kevin Dewald**, Spring Lake, MI (US)

(73) **Assignee:** **Belwith International, Ltd.**,  
Grandville, MI (US)

(\*\*) **Term:** **14 Years**

(21) **Appl. No.:** **29/136,674**

(22) **Filed:** **Feb. 1, 2001**

**Related U.S. Application Data**

(62) Division of application No. 29/092,219, filed on Aug. 14, 1998.

(51) **LOC (7) Cl.** ..... **08-06**

(52) **U.S. Cl.** ..... **D8/317**

(58) **Field of Search** ..... D8/300, 305, 315-320;  
16/110.1, 412, 415

(56) **References Cited**

**U.S. PATENT DOCUMENTS**

D. 187,908 \* 5/1960 Heyer .

D. 203,031 \* 11/1965 Corsello .

D. 205,346 \* 7/1966 Bottom .

D. 225,302 \* 12/1972 Tegner .

D. 431,445 \* 10/2000 Short ..... D8/316

**OTHER PUBLICATIONS**

Phylrich Cat.; p. 39-C; knob (bottom row—right), ©1965.\*

\* cited by examiner

*Primary Examiner*—B. J. Bullock

(74) *Attorney, Agent, or Firm*—Rader, Fishman & Grauer PLLC

(57) **CLAIM**

The ornamental design for a pull, as shown and described.

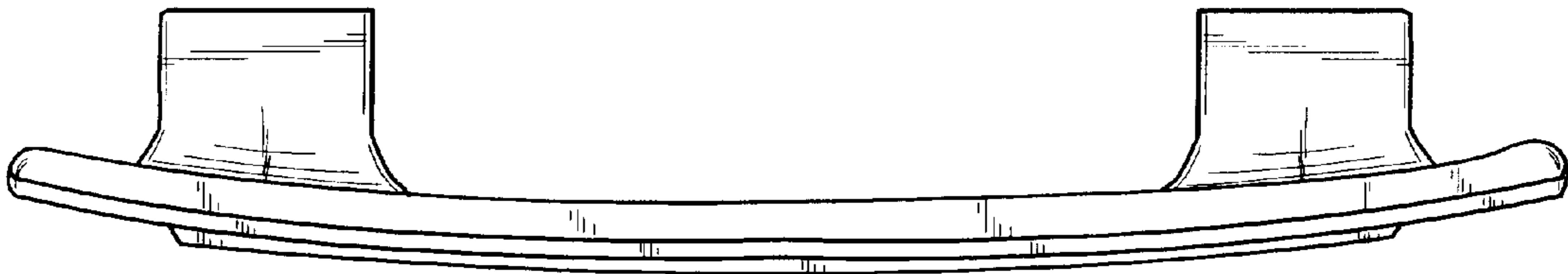
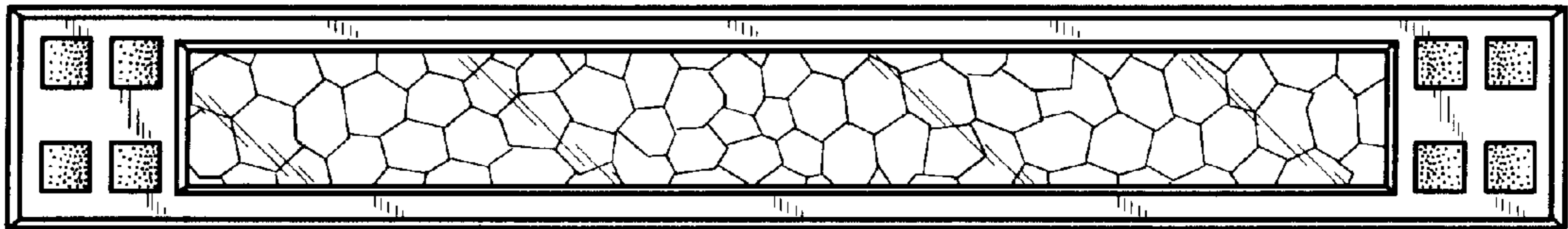
**DESCRIPTION**

FIG. 1 is a front elevational view of the pull of the present invention.

FIG. 2 is a bottom view of the pull of FIG. 1; and,

FIG. 3 is a right side elevational view of the pull of FIG. 1.

**1 Claim, 1 Drawing Sheet**



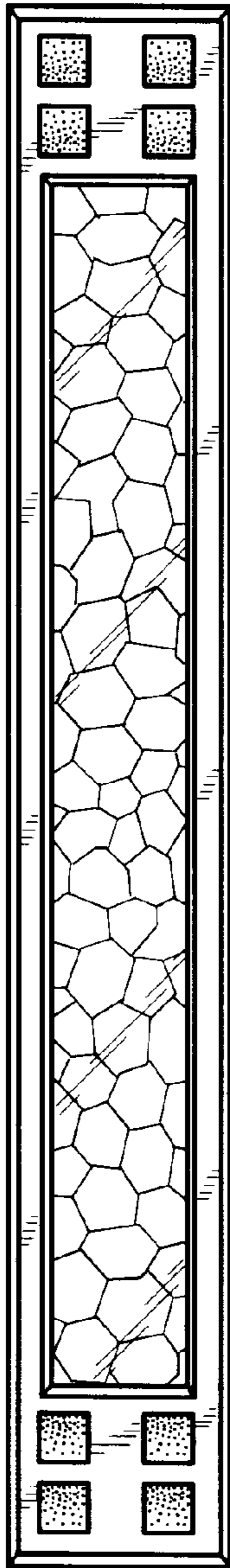


Fig. 1

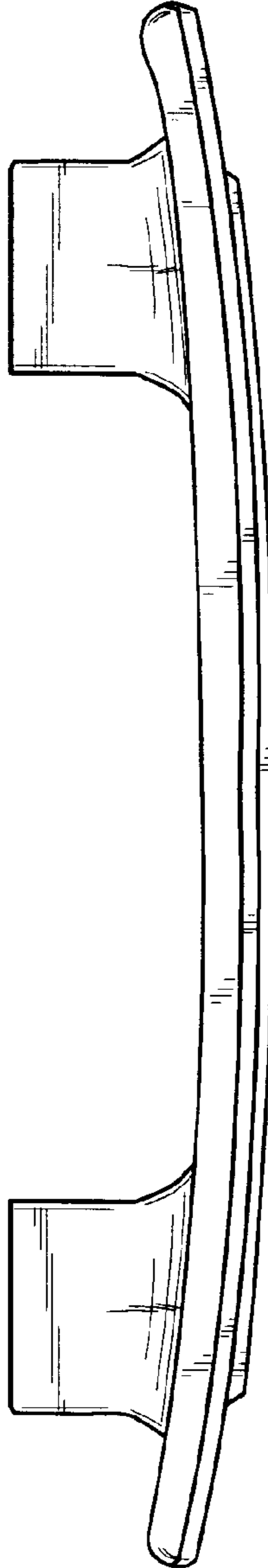


Fig. 2

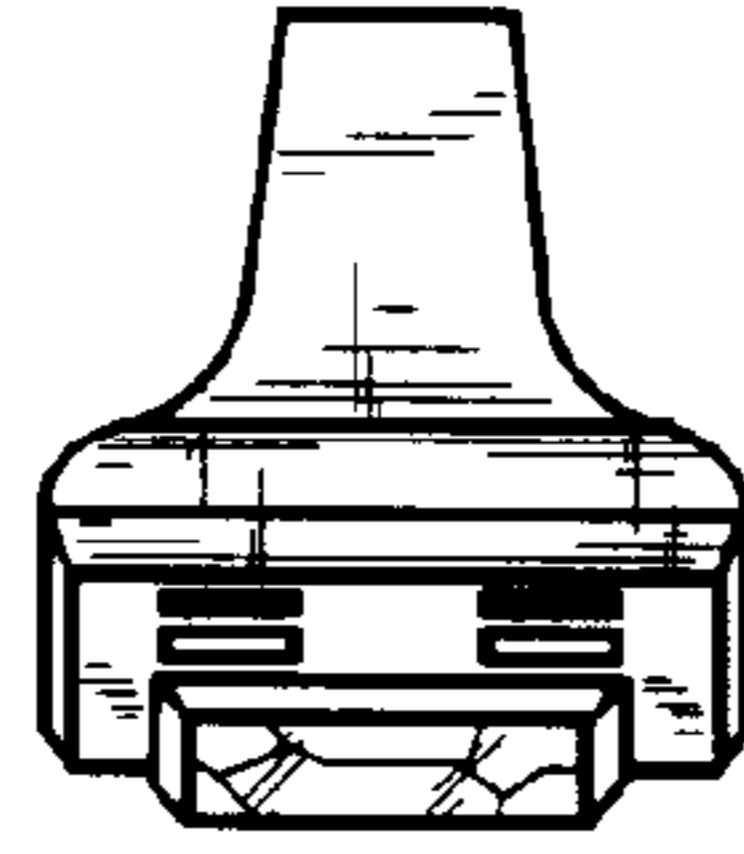


Fig. 3